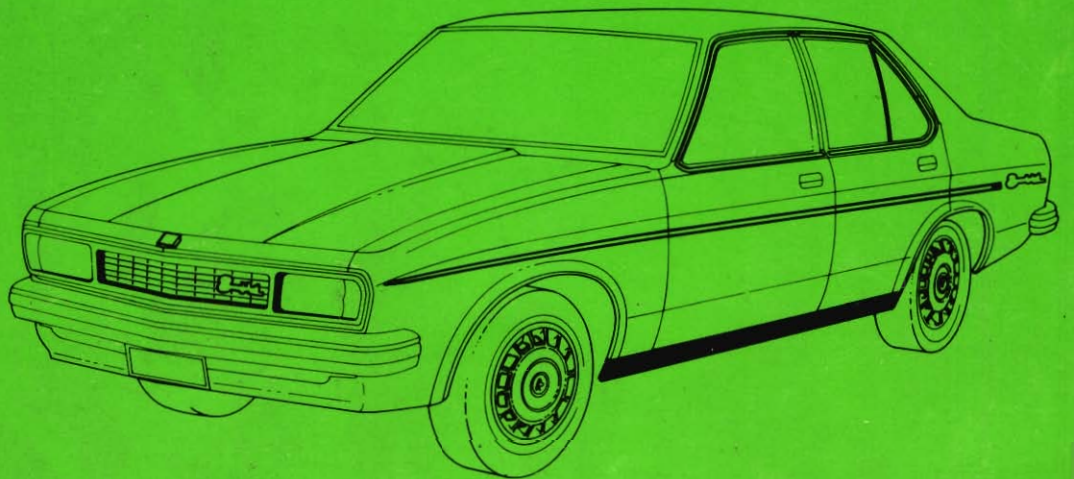


A "HOLDEN" PUBLICATION



**UC**

**TORANA / HOLDEN SUNBIRD**



**PARTS CATALOGUE**

GM PARTS & ACCESSORIES DIVISION OF GENERAL MOTORS-HOLDEN'S LIMITED



# TORANA & HOLDEN SUNBIRD

## parts catalogue

# ILLUSTRATION SECTION

EFFECTIVE: MARCH 1978  
CATALOGUE No. M38044  
ISBN 0 909989 90 7  
Printed in Australia

## CONTENT

INTRODUCTION - MODEL IDENTIFICATION

INDEX - ILLUSTRATIONS

### CHASSIS

ENGINE - CLUTCH	0.000
COOLING - GRILLE - OILING	1.000
ELECTRICAL - INSTRUMENTS	2.000
FUEL - EXHAUST - CARBURETTOR	3.000
TRANSMISSION. BRAKE CONTROL.	4.000
BRAKE OPERATING. REAR AXLE & DRIVE	5.000
FRONT SUSPENSION. STEERING.	6.000
FRAME - SPRINGS - BUMPERS	7.000
SHEET METAL	8.000
ACCESSORIES. AIR CONDITIONER - HEATER	9.000

### BODY

WINDSHIELD. DOOR HARDWARE - GLASS	10.000
REAR GLASS. SEAT & ADJUSTER	11.000
MOULDINGS & CLIPS. SHEET METAL	12.000
BODY WIRING HARNESS	13.000
INTERIOR TRIM	14.000
REAR TRIM - MATS - CARPETS	15.000

COPYRIGHT - GENERAL MOTORS-HOLDEN'S LIMITED.  
Reproduction in whole or in part prohibited without written approval.

## **introduction**

This Torana and Holden Sunbird Parts Catalogue has been compiled for the purpose of locating, identifying and ordering replacement parts. All data and specifications contained in this publication are based on the latest product information available prior to printing. General Motors—Holden's Limited and GM Parts and Accessories reserve the right to make changes at any time without notice in data, specifications, materials and Model.

### **CONTENTS:**

The Catalogue is divided into two main sections which are arranged as follows:—

<b>SECTION 1.</b>	Introduction
	Model/Series Identification
	Illustration Index
	Chassis Illustrations
	Body Illustrations

**NOTE:** The layout and group-page numbering of the illustrations contained in section one, is such that they can be removed for combining with the chassis and body text section two by group.  
The 'single' combined illustration parts group concept can be maintained by this method, or the separate illustration section and text section can be used.

<b>SECTION 1.</b>	Text — Chassis Parts — Listing Groups	0.000 — 9.787
-------------------	---------------------------------------	---------------

<b>SECTION 2.</b>	Alphabetical Index	
	Text — Chassis Parts — Listing Groups	0.000 — 9.787
	— Body Parts — Listing Groups	10.001 — 15.520
	Numerical Index.	

### **GROUP SYSTEM AND HOW TO LOCATE PARTS:—**

The Group System used is identical with that operating throughout the General Motors Organisation and briefly is as follows:—

Main units of the car are identified by the Numeral preceding the Decimal. i.e.

Engine. . . . .	0
Cooling and Oiling. . . . .	1
Electrical. . . . .	2
Fuel System. . . . .	3

Replacement parts are listed in this catalogue under 16 major groups as shown on the Content Page.

Individual parts are assigned a Prime Group Number, the first numeral of the group identifies the main unit with which it is affiliated. Following the decimal is the Sub-Group Number, under which all parts of the same name and function are listed. For example, Group 0.519 Camshaft. The "0" denotes that it is an Engine Part, "519" the sub-group where all Engine Camshafts are listed. Related parts may also be found in the same group. Within each Group, parts are listed by Part Name, Description, Model and Body Style, LH (Left Hand) or RH (Right Hand), side (these letters are NOT a prefix to the Part Number and MUST NOT be quoted as such), Part Number and Quantity used per vehicle.

To locate the listing of a Part Number, determine the Vehicle Model (Identification Plates are located preceding the Alphabetical Index) and refer to the catalogue under the Group Number identifying it, which may be determined by using any of the following methods:—

**GROUP SYSTEMS AND HOW TO LOCATE PARTS (Cont'd.)**

1. Consult Alphabetical Index, at front of Catalogue, which lists Parts by nouns and descriptive names and refers to the exact Group Number where all Parts of similar kind may be found. If Name of desired Part is not readily found in the Index, a co-related Part Number will suggest approximate location.
2. Consult Illustrations in this publication, on which Group Numbers, Standard Part Numbers and Noun Names are shown, which will refer to the Part or Assembly required.
3. Consult Numerical Index if a Part Number is known, and use its Group Number to locate a similar part, or be directed to the approximate location for co-related Parts.

Service Part Numbers are assigned to individual parts that make up an assembly used in the production of models, certain items may not be listed, attaching parts may be included in packages with the major assembly and not listed separately.

Right Hand and Left Hand parts are so designated from the drivers position when seated in the car.

**OPTIONAL EQUIPMENT AND HOW TO INTERPRET:**

As optional equipment which includes items such as Engines, Transmissions, Rear Axles, Brakes etc., together with alternate types and colours of interior trim is available to the customers choice, the cataloguing of replacement parts, where differences exist, has been achieved by stipulating the type of equipment against the specific part.

The method used to indicate major parts or equipment is as follows:—

**ENGINE:**

4 Cylinder. Further qualified if necessary.  
6 Cylinder. Further qualified if necessary.

Additional identification, if required, is provided by reference to the Engine No. Prefix – Refer Engine Identification and Specification Chart.

**TRANSMISSION :**

(M) – Manual Transmission. Further qualified if necessary.  
(A) – Automatic Transmission. Further qualified if necessary.

**BRAKES:**

Rear Drum Brakes – Drum Brakes on Rear Wheels.  
Rear Disc Brakes – Disc Brakes on Rear Wheels.

**BODY:**

Body Style Numbers are:— 69 Sedan  
77 Hatchback Coupe

**SEATS:**

Bench Seats – Single full width Front Seat  
Bucket Seats – Twin Front Seats of infinitely variable reclining type



**DIMENSIONS:**

When using the dimensions and other data shown in the Description Column, the following should be noted:

1. "O.L." (Overall Length) refers to the total length of a part measured over the longest dimension. An irregular shaped piece is measured over the longest dimension regardless of contours and bends.
2. "Dev. Length" (Developed Length) refers to the total length of a part such as a tail pipe or fuel pipe measured as though the pipe were straightened out.
3. "I.D." refers to Inside Diameter; "O.D." refers to Outside Diameter; "O/S" refers to Oversize; "U/S" refers to Undersize.

**ILLUSTRATIONS:**

Illustrations are included to assist in the identification of Parts, but as some parts which perform a similar function vary in detail of design etc., all illustrations should be regarded as typical. Views of Assemblies/Sections are exploded, all visible Parts are referenced by number to show the Part Number and Group. Therefore, once a Part is located in an illustration, it may be positively identified by referring to the Group in which it is listed.

In some instances, certain Parts appear in both the Text and Illustration Sections as:—

- N.S. — Not Serviced
- N.S.S. — Not Serviced Separately
- N.L.S. — No Longer Serviced

Unless these items are in current production, as a rule they cannot be obtained.

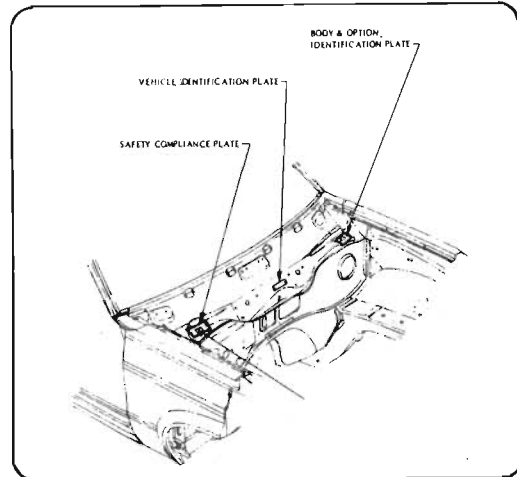
**REPLACEMENT PARTS INTERPRETATION**

Plates attached to Passenger Vehicles carry coded information which could be significant in parts interpretation.

**LOCATION OF IDENTIFICATION PLATES**

Plates are attached to the top ledge of the Dash Panel under the Engine Hood. Refer Illustration opposite.

- Safety Compliance Plate.
- Vehicle Identification Plate.
- Body Identification Plate.

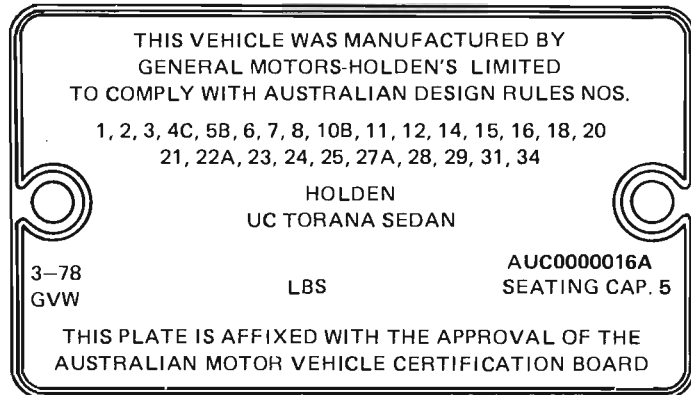


**SAFETY COMPLIANCE PLATE**

(Not Applicable to Export)

Plate stamped with the following information:—

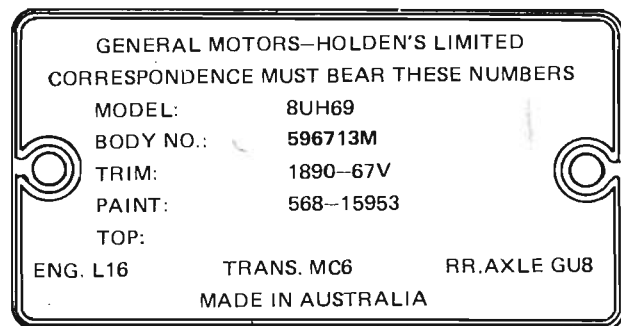
- Australian Design Rule Numbers. (A.D.R.)
- Vehicle Make — Holden
- Vehicle Model Name and Style
- Month and Year of Manufacture
- Vehicle Serial Number
- Seating Capacity of Vehicle.



**BODY IDENTIFICATION PLATE**

Plate stamped with the following information:—

- Model: Combination of Letters & Numbers identifying the Body Model & Style.
- Body No.: Reference Number followed by Assembly Plant Suffix.
  - A — Adelaide                      B — Brisbane
  - M — Melbourne                    S — Sydney
  - NZ — New Zealand
- Trim: Interior paint colour and trim combinations. — Catalogue purposes e.g. 18V
- Plant: Exterior paint basic or Lower colour.
- Top: Exterior paint — Upper Body Section or Roof colour.

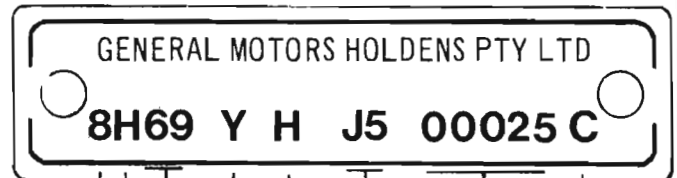


# "UC" TORANA/HOLDEN SUNBIRD PARTS CATALOGUE

## REPLACEMENT PARTS INTERPRETATION (Cont'd.) VEHICLE IDENTIFICATION NUMBERING SYSTEM

The Vehicle Identification Numbering System (V.I.N.) is based on the uniform Car Model Designation System. The reason for this is to identify the vehicle in one coded series of characters.

The significance of these characters or blocks of characters is explained below, using as an example identification number 8 H 69 Y H J5 00025 C.



DIVISION  
 SERIES CODE (Degree of Luxury)  
 BODY STYLE CODE  
 ENGINE CODE  
 MODEL YEAR CODE  
 ASSEMBLY PLANT CODE  
 SERIAL (SEQUENCE) NUMBER  
 SERIES CODE

1st Character	8	Standard Numeral allocated to GMH Limited.
2nd Character	H	Degree of Luxury— G — Torana 'S' H — Sunbird, Torana 'SL'
3rd & 4th Characters	69	Standard Body Style Identification.
5th Character	Y	Engine Identification Code. (Refer Engine Identification).
6th Character	H	Identifies Model Year. This Letter changes 1st September each year and relates to GM Internal Operations Only.
7th & 8th Characters	J5	Australian Assembly Plant Identification Code:— H1 thru H4 — Brisbane H5 thru H9 — Sydney J 1 thru J 9 — Melbourne L1 thru L5 — Adelaide
9th to 13th Character	00025	Sequential Production Serial. This designates the Serial Unit Number at each Vehicle Assembly Plant, starting at (0001); and to continue in Numerical Sequence regardless of vehicle type.
14th Character	C	GMH Limited Model Code Designation for each Model Programme.

**REPLACEMENT PARTS INTERPRETATION (Cont'd.)**

**TRANSMISSION SERIAL NUMBER PLATES**

Plates attached to Automatic Transmission carry coded information which could be significant in parts interpretation.

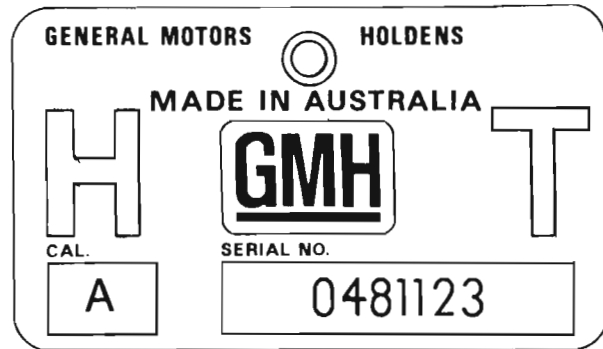
**"TRIMATIC"**

**LOCATION:**

Plate attached to LH side of the transmission case. The Serial Number Plate has a red background.

Plate stamped with the following information:

Transmission Code:—



**SERIES 2**

"HN" 2850 Eng.  
"HT" 3300 Eng.

Calibration Code: A  
Serial Number: 0481123

**SERIES 3**

"KY" Opel 1900 Eng.  
2850 Eng.  
3300 Eng.

**ENGINE SERIAL NUMBER STAMPING LOCATION**

Opel L4 — On Pad at LH side of Engine below No. 2 Spark Plug.  
Example:— 19S — K010341

\* L6 — On Pad above Engine Mounting Bosses RH side of Engine.

**ENGINE IDENTIFICATION and SPECIFICATIONS**

ENGINE	TYPE	BORE	STROKE	COMP. RATIO	ENGINE NO. PREFIX	IDENT. CODE
Opel 1900	L4	3.66"	2.75"	9.0:1	19S	Y
High Compression 2850	L6	3.50"	3.00"	9.4:1	HD	D
Low Compression 2850	L6	3.50"	3.00"	8.3:1	HE	E
High Compression 3300	L6	3.62"	3.25"	9.4:1	HL	L
Low Compression 3300	L6	3.62"	3.25"	7.8:1	HM	M



# "UC" TORANA/HOLDEN SUNBIRD PARTS CATALOGUE

## INTERIOR TRIM

All items of trim are identified by a part number consisting of a basic number which identified the item and a Suffix consisting of alphabetical symbols which denotes the colour, e.g.

BASIC NO.	SUFFIX	COMPLETE NO.
9939564	DT	9939564DT

To interpret trim requirements it is necessary to determine the model and trim number from the Body Identification Plate attached to the top ledge of the dash panel under the engine hood, also the type of seats etc., fitted with the exception of door trims, seat cushions and back covers. Refer Model and Trim Combination Number to the Trim Colour Chart Pages **12 - 13** to establish the specific colour name.

Trim Numbers will be allocated to identify trim colour only and will not include trim design requirements. The colour will be predicted by the colour of the vinyl used in seat construction.

Separate numbers will be allocated for vinyl/cloth combinations.

The codes will consist of 2 numeric characters and one alphabetic character established as follows:—

### Characters 1 & 2

Will identify colour family and shade.

The first digit will identify the colour family and the second digit the shade.

Shade numbers will be allocated from light to dark in ascending number order.

00—09 Open	50—59 Yellow — Gold
10—19 Neutral	60—69 Brown — Beige — Orange
20—29 Blue	70—79 Pink — Red — Plum
30—39 Aqua — Turquoise	80—89 Miscellaneous
40—49 Green	90—99 Firemist Metallic

### Character 3

Will identify as a vinyl and vinyl/cloth combinations.

'A', 'B', 'C' will indicate Fashion Pack Plaid Cloth.

'V' will indicate Vinyl.

'X' will indicate Vinyl and Cloth.

Shown below as examples are the combination numbers allocated to cover Sienna Trim:—

- 65A Sienna Vinyl and Plaid Cloth Trim.
- 65V Sienna Vinyl Trim.
- 65X Sienna Vinyl and Cloth Trim.



FIG. 1. **CODE** 8UG69 **Torana "S" 4 Door Sedan 6 Cyl.** **INTRODUCED** March 1978



Together with Production Option A9H

FIG. 2. **CODE** 8UH P.O.A9H **Torana "SL" 4 Door Sedan 6 Cyl.** **INTRODUCED** March, 1978



Together with Production Option A9H

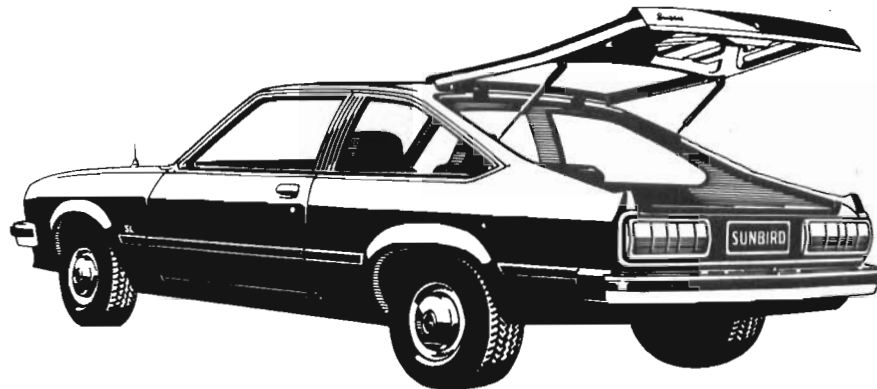
FIG. 3. **CODE** 8UH P.O.A9H **Torana "SL" 2 Door Hatchback Coupe** **INTRODUCED** March, 1978

Revised June, 1978.

**"UC" TORANA/HOLDEN SUNBIRD PARTS CATALOGUE**



<b>FIG. 4</b>	<b>CODE</b>			<b>INTRODUCED</b>
	8UH69	Sunbird	4 Door Sedan 4 Cyl.	March, 1978



<b>FIG. 5</b>	<b>CODE</b>			<b>INTRODUCED</b>
	8UH77	Sunbird	2 Door Hatchback Coupe 4 Cyl.	March, 1978

Revised June, 1978.

**“UC” TORANA/HOLDEN SUNBIRD PARTS CATALOGUE**

**TRIM COLOUR CHART**

**MODEL: 8UG**

	<b>18V</b>	<b>60V</b>	<b>63V</b>	<b>67V</b>
ARMREST – Door . . . . .	Black	Chamois	Buckskin	Tan
CARPET – Floor . . . . .	Black	Covert	Buckskin	Tan
HEADLINING . . . . .	Black	Chamois	Buckskin	Tan
HEADLINING (N) . . . . .	Buckskin	N.A.	N.A.	N.A.
HOOK . . . . .	Black	Chamois	Buckskin	Tan
HOOK (N) . . . . .	Buckskin	N.A.	N.A.	N.A.
PAD – Instrument panel . . . . .	Black	Covert	Tan	Tan
SUN VISOR . . . . .	Black	Chamois	Buckskin	Tan
SUN VISOR (N) . . . . .	Buckskin	N.A.	N.A.	N.A.
TRIM – Cowl panel . . . . .	Black	Chamois	Buckskin	Tan
TRIM – Package tray . . . . .	Black	Covert	Buckskin	Tan
TRIM – Rear quarter . . . . .	Slate Black	Chamois	Buckskin	Tan
WINDLACE . . . . .	Black	Chamois	Buckskin	Tan

NOTE: (N) Neutral Colour Headlining.

**MODEL: 8UH exc. Fashion Pack**

	<b>18V,18X</b>	<b>60V,60X</b>	<b>63V,63X</b>	<b>67V,67X</b>
ARMREST – Door . . . . .	Black	Chamois	Buckskin	Tan
BAR – Horn actuating . . . . .	Black	Covert	Tan	Tan
CARPET – Floor . . . . .	Black	Covert	Buckskin	Tan
CARPET – Rear compartment rear . . . . .	Black	Covert	Buckskin	Tan
CARPET – Wheel housing . . . . .	Black	Covert	Buckskin	Tan
HANDLE – Assist grip . . . . .	Black	Chamois	Buckskin	Tan
HEADLINING . . . . .	Black	Chamois	Buckskin	Tan
HEADLINING (N) . . . . .	Buckskin	N.A.	N.A.	N.A.
PAD – Instrument panel . . . . .	Black	Covert	Tan	Tan
SUN VISOR . . . . .	Black	Chamois	Buckskin	Tan
SUN VISOR (N) . . . . .	Buckskin	N.A.	N.A.	N.A.
TRIM – Cowl panel . . . . .	Black	Chamois	Buckskin	Tan
TRIM – Package tray . . . . .	Black	Covert	Tan	Tan
TRIM – Rear compartment side . . . . .	Slate Black	Chamois	Buckskin	Tan
TRIM – Rear quarter upper & lower . . . . .	Slate Black	Chamois	Buckskin	Tan
WHEEL – Steering . . . . .	Black	Covert	Buckskin	Tan
WINDLACE . . . . .	Black	Chamois	Tan	Tan

NOTE: (N) Neutral Colour Headlining

**MODEL: 8UH Fashion Pack**

	<b>10A</b>	<b>18A,18B,18C</b>	<b>63A</b>	<b>65A</b>
ARMREST – Door . . . . .	White	Black	Buckskin	Sienna
BAR – Horn actuating . . . . .	Black	Black	Tan	Dark Sienna
CARPET – Floor . . . . .	Black	Black	Buckskin	Dark Sienna
CARPET – Rear compartment rear . . . . .	Black	Black	Buckskin	Dark Sienna
CARPET – Wheel housing . . . . .	Black	Black	Buckskin	Dark Sienna
HANDLE – Assist grip . . . . .	Black	Black	Buckskin	Sienna
HEADLINING . . . . .	White	Black	Buckskin	Sienna
HEADLINING (N) . . . . .	N.A.	N.A.	N.A.	N.A.
PAD – Instrument panel . . . . .	Black	Black	Tan	Dark Sienna
SUN VISOR . . . . .	White	Black	Buckskin	Sienna
SUN VISOR (N) . . . . .	N.A.	N.A.	N.A.	N.A.
TRIM – Cowl panel . . . . .	Black	Black	Buckskin	Sienna
TRIM – Package tray . . . . .	Black	Black	Tan	Dark Sienna
TRIM – Rear compartment side . . . . .	White	Slate Black	Buckskin	Sienna
TRIM – Rear quarter upper & lower . . . . .	White	Slate Black	Buckskin	Sienna
WHEEL – Steering . . . . .	Black	Black	Tan	Dark Sienna
WINDLACE . . . . .	Black	Black	Buckskin	Sienna

NOTE: (N) Neutral Colour Headlining



# "UC" TORANA/HOLDEN SUNBIRD PARTS CATALOGUE

## PRODUCTION OPTION CHART

The following Production Option Listing is included to facilitate the interpretation of Option Codes referred to by Production and Vehicle Sales.

CODE	OPTION	CODE	OPTION
A01	Laminated Tinted Windshield, Tinted Side & Rear Windows	MC6	Four Speed Manual Transmission – Torquemaster
A02	Laminated Tinted Windshield	M01	Heavy Duty Clutch
A8T	Fashion Pack Trim	M11	Console Floor Shift
A94	Torana 'SL'	M15	Three Speed Manual Column Shift
A22	Laminated Windshield	M20	Four Speed Manual Transmission
A47	Rear Seat Retracting Belts	M40	Trimatic Automatic Transmission
A48	Delete Seat Belts		
A52	Front Bench Seat	N05	Fuel Tank Locking Cap
A76	Heavy Duty Rear Seat – Taxi		
		P02	Wheel Trim
B02	Taxi Equipment Package	P03	Wheel Trim & Chrome Wheel Nuts
B03	Taxi Instrument Panel Modification		
B26	Front Door Pull-To Handle	QAY	AR78S13 4 Ply Steel Radial
B29	Rear Door Pull-To Handle	QAZ	BR78S13 4 Ply Steel Radial
		QBR	BR70H13 4 Ply Steel Radial
CD4	Wiper, Dwell Control	QBS	BR70H13 6 Ply Steel Radial
C49	Electric Rear Window Heater		
C58	Non-Heated Forced Ventilation	TT5	Quartz Halogen Headlamp
C60	Air Conditioner		
C66	Air Conditioner Preparatory Equipment	UA1	Heavy Duty Battery
		UL5	Delete Radio
D31	Anti-Glare Rear Vision Mirror	UN3	Radio/Stereo Tape Player
D99	Two Tone Paint	UR3	Fuel Economy Warning Lamp
		U17	Instruments – Oil, Water, Volt, Tacho., Clock
E28	Assist Handles	U25	Rear Compartment Lamp
		U35	Clock
F	Heavy Duty Suspension	U63	Radio – Push Button High Performance
		U69	Radio – AM/FM Push Button
GU4	3.08:1 Rear Axle Ratio	U72	Power Antenna
GU7	2.78:1 Rear Axle Ratio	U80	Rear Seat Speaker
GU8	3.90:1 Rear Axle Ratio	U91	Taxi Roof Sign Lead
GV4	3.36:1 Rear Axle Ratio		
G66	Superlift Rear Shock Absorbers	V01	Heavy Duty Radiator
JM8	Rear Wheel Disc Brakes	XS5	Vinyl Roof Covering
		XS6	Front Bucket Seats
K45	Heavy Duty Air Cleaner	XS7	Fuel Tank Captive Filler Cap
K72	Delete Exhaust Emission Control	XS9	Vinyl and Nylon Cloth Trim
K75	Delete Evaporative & Exhaust Emission Control	XX3	New Zealand Vehicle Package
		XY9	Neutral Colour Headlining
LD1	6 Cyl. 2.85 Litre Eng. High Comp.		
LD2	6 Cyl. 2.85 Litre Eng. Low Comp.		
L16	Opel 4 Cylinder Engine		
L20	6 Cyl. 3.3 Litre Eng. High Comp.		
L23	6 Cyl. 3.3 Litre Eng. Low Comp.		
		NOTE:	E – Export G – Government Orders

**CHASSIS**

**GROUP 2 (Cont'd)**

**GROUP 0**

**ENGINE - CLUTCH**

POWER PLANT MTGS. - Opel 4 Cyl. Eng.	0-2
POWER PLANT MTGS. - 6 Cyl. Eng.	0-3
ENGINE - Opel 4 Cyl. Eng.	0-4/0-5
FRONT COVER - Opel 4 Cyl. Eng.	0-6/0-7
CYLINDER BLOCK - Opel 4 Cyl. Eng.	0-8/0-9
CYLINDER HEAD - Opel 4 Cyl. Eng.	0-10/0-11
CYLINDER BLOCK - 6 Cyl. Eng.	0-12/0-13
CYLINDER HEAD - 6 Cyl. Eng. without E.E.C.	0-14/0-15
CYLINDER HEAD - 6 Cyl. Eng. with E.E.C.	0-16/0-17
CLUTCH PEDAL - Opel 4 Cyl. Eng.	0-18
CLUTCH PEDAL - 6 Cyl. Eng. Torquemaster Trans.	0-19
CLUTCH PEDAL - 6 Cyl. Eng. exc. Torquemaster Trans.	0-20
CLUTCH CONTROL - Opel 4 Cyl. Eng.	0-21
CLUTCH CONTROL - 6 Cyl. Eng. Torquemaster Trans.	0-22
CLUTCH CONTROL - 6 Cyl. Eng. exc. Torquemaster Trans.	0-23
FLYWHEEL CLUTCH & HOUSING - Opel 4 Cyl. Eng.	0-24
CLUTCH HOUSING - 6 Cyl. Eng. Torquemaster Trans.	0-25
FLYWHEEL & CLUTCH - 6 Cyl. Eng.	0-26

**GROUP 1**

**COOLING - GRILLE - OILING**

FAN BLADE - Opel 4 Cyl. Eng.	1-2
FAN BLADE & PULLEY - 6 Cyl. Eng.	1-3
AUXILIARY FAN	1-4
WIRING - Auxiliary Fan	1-5
WATER PUMP - 6 Cyl. Eng.	1-6
HOSES - INLET MANIFOLD - 6 Cyl. Eng.	1-7
RADIATOR - Opel 4 Cyl. Eng.	1-8
RADIATOR - 6 Cyl. Eng.	1-9
GRILLE	1-10
FRONT VALANCE, LOCK AND SUPPORT	1-11
OIL PUMP & PAN - Opel 4 Cyl. Eng.	1-12
OIL PUMP & FILTER - 6 Cyl. Eng.	1-13
ENGINE VENTILATION - Without E.E.C. 6 Cyl. Eng.	1-14
ENGINE VENTILATION - With Evap. w/out Exhaust Emission Control 6 Cyl. Eng.	1-15
ENGINE VENTILATION - With E.E.C. 6 Cyl. Eng.	1-16

**GROUP 2**

**ELECTRICAL - INSTRUMENTS**

ENGINE ELECTRICAL UNITS - With E.E.C. 6 Cyl. Eng.	2-2
ALTERNATOR & COIL - 6 Cyl. Eng.	2-3
ALTERNATOR & COIL - Opel 4 Cyl. Eng.	2-4
IGNITION LOCK & SWITCH	2-5
STARTER MOTOR - Bosch	2-6/2-7
STARTER MOTOR - Delco Remy	2-8/2-9
ALTERNATOR - Opel 4 Cyl. Eng.	2-10/2-11
ALTERNATOR - Bosch - 6 Cyl. Eng.	2-12/2-13
ALTERNATOR - Lucas	2-14
LIGHT SWITCH	2-15

**ELECTRICAL - INSTRUMENTS**

DISTRIBUTOR - Delco Remy - Opel 4 Cyl. Eng.	2-16/2-17
DISTRIBUTOR - Bosch - 6 Cyl. Eng.	2-18/2-19
BATTERY MOUNTING	2-20
BATTERY CABLES	2-21
SPARK CONTROL PIPE - W/out E.E.C. 6 Cyl. Eng.	2-22
SPARK CONTROL PIPE - With Evap. w/out Exhaust E.C. 6 Cyl. Eng.	2-23
FUEL ECONOMY INDICATOR LIGHT	2-24
FUSE PANEL	2-25
INSTRUMENTS	2-26
HARNESS - Instruments	2-27
HARNESS - Lighting	2-28
HARNESS - Main Wiring	2-29
HARNESS - Engine	2-30
RELAY - Dimmer switch	2-31
HEADLAMP	2-32
TURN SIGNAL LAMP	2-33
TAIL, STOP AND TURN SIGNAL LAMP	2-34
BACK-UP LAMP SWITCH	2-35
HORN BAR - Steering Wheel	2-36
HORNS	2-37

**GROUP 3**

**FUEL - EXHAUST - CARBURETTOR**

FUEL TANK	3-2
STONE GUARD - Fuel Tank	3-3
HOSES - With E.E.C. 6 Cyl. Eng.	3-4/3-5
HOSES - Emission Control System - Opel 4 Cyl. Eng.	3-6
PIPES & HOSES - Evaporative Emission Control	3-7
FUEL LINES	3-8
VACUUM ADAPTORS - Opel 4 Cyl. Eng.	3-9
VACUUM ADAPTORS - 6 Cyl. Eng.	3-10
AIR CLEANER - Opel 4 Cyl. Eng.	3-11
CARBURETTOR & AIR CLEANER - Without E.E.C. 6 Cyl. Eng.	3-12
CARBURETTOR & AIR CLEANER - With E.E.C. 6 Cyl. Eng.	3-13
AIR PRE-HEAT SYSTEM - 6 Cyl. Eng.	3-14
ACCELERATOR LEVER & PEDAL	3-15
THROTTLE CONTROL - Opel 4 Cyl. Eng.	3-16
THROTTLE CONTROL - 6 Cyl. Eng.	3-17
CHOKE CONTROL	3-18
EXHAUST GAS RECIRCULATION VALVE - 6 Cyl. Eng.	3-19
EXHAUST SYSTEM - Opel 4 Cyl. Eng.	3-20/3-21
EXHAUST SYSTEM - 6 Cyl. Eng.	3-22/3-23
CARBURETTOR - Opel 4 Cyl. Eng.	3-24/3-25
CARBURETTOR - 6 Cyl. Eng. without E.E.C.	3-26/3-27
CARBURETTOR - 6 Cyl. Eng. with E.E.C.	3-28/3-29
MANIFOLD HOSES	3-30
FUEL PUMP - 6 Cyl. Eng.	3-31

# "UC" TORANA/HOLDEN SUNBIRD PARTS CATALOGUE

## GROUP 4

### TRANSMISSION INDEX

#### CODE 'A'

TRANSMISSION TO ENGINE . . . . .	4-3A
TRANSMISSION ASSEMBLY . . . . .	4-4A/4-5A
GEARSHIFT CONTROL . . . . .	4-6A
TRANSMISSION MOUNTING — 6 Cyl. Eng. . . . .	4-7A
SPEEDOMETER CABLE & GEAR . . . . .	4-8A

#### CODE 'F'

TRANSMISSION . . . . .	4-1F
TRANSMISSION CASE & GEARS . . . . .	4-2F/4-3F
TRANSMISSION CONTROL LINKAGE . . . . .	4-4F
TRANSMISSION MOUNTING . . . . .	4-5F
SPEEDOMETER CABLE & GEAR . . . . .	4-6F

#### CODE 'H'

TRANSMISSION CONTROL . . . . .	4-1H
TRANSMISSION CASE & GEARS . . . . .	4-2H/4-3H
TRANSMISSION GEARS . . . . .	4-4H/4-5H
TRANSMISSION MOUNTING . . . . .	4-6H
SPEEDOMETER CABLE & GEAR . . . . .	4-7H

#### CODE 'U'

OIL PAN & INDICATOR . . . . .	4-1U
CONVERTER & OIL PUMP . . . . .	4-2U/4-3U
TRANSMISSION ASSEMBLY . . . . .	4-4U/4-5U
PARK BRAKE, MODULATOR & SERVO . . . . .	4-6U/4-7U
VALVE BODY — Series 2 . . . . .	4-8U/4-9U
VALVE BODY — Series 3 . . . . .	4-10U
TRANS. CONTROL — Console Shift 6 Cyl. Eng. . . . .	4-11U
TRANS. CONTROL — Console Shift Open 4 Cyl. Eng. . . . .	4-12U
TRANS. CONTROL — Steering Column Shift . . . . .	4-13U
TRANS. TO ENGINE — Opel 4 Cyl. Eng. . . . .	4-14U
TRANS. CONVERTER, LOWER COVER — 6Cyl.Eng. . . . .	4-15U
TRANS. VACUUM MODULATOR & OIL FILLER Opel 4 Cyl. Eng. . . . .	4-16U
TRANS. VACUUM MODULATOR & OIL FILLER 6 Cyl. Eng. . . . .	4-17U
TRANS. NEUTRAL START & BACK-UP SWITCH . . . . .	4-18U
TRANS. INDICATOR — Steering Column Shift . . . . .	4-19U
DETENT SWITCH . . . . .	4-20U
TRANSMISSION MOUNTING — Opel 4 Cy. Eng. . . . .	4-21U
TRANSMISSION MOUNTING — 6 Cyl. Eng. . . . .	4-22U
SPEEDOMETER CABLE & GEAR . . . . .	4-23U

## GROUP 4-5

### BRAKE CONTROL BRAKE OPERATING

BRAKE MAIN CYLINDER . . . . .	4-2
BRAKE PEDAL . . . . .	4-3
FRONT BRAKE PIPES . . . . .	4-4
REAR BRAKE PIPES . . . . .	4-5
BRAKE MAIN CYLINDER, PRESSURE SWITCH & BOOSTER . . . . .	4-6

## GROUP 4-5 (Cont'd.)

### BRAKE CONTROL BRAKE OPERATING

PARKING BRAKE — Bucket Seat — Rear Disc Brakes . . . . .	4-7
PARKING BRAKE LEVER & CABLE — Bucket Seats Rear Disc Brakes . . . . .	4-8
PARKING BRAKE LAYOUT — Bench Seats . . . . .	4-9/4-10
PARKING BRAKE LEVER & CABLE — Bucket Seats — Rear Drum Brakes . . . . .	4-11
BRAKE BOOSTER — Exc. Rear Wheel Disc Brakes . . . . .	4-12/4-13
BRAKE BOOSTER — Rear Wheel Disc Brakes . . . . .	4-14/4-15
FRONT BRAKE CALIPER . . . . .	4-16
REAR DISC BRAKES . . . . .	4-17
REAR BRAKES . . . . .	4-18/4-19
WHEEL CYLINDERS . . . . .	4-20

## GROUP 5

### REAR AXLE AND DRIVE

REAR AXLE . . . . .	5-2/5-3
REAR AXLE AND SUSPENSION . . . . .	5-4/5-5
REAR AXLE AND PROPELLER SHAFT . . . . .	5-6
REAR STABILIZER SHAFT . . . . .	5-7
ROAD WHEEL & TRIM RING . . . . .	5-8

## GROUP 6

### FRONT SUSPENSION & STEERING

STEERING WHEEL . . . . .	6-2
FRONT SUSPENSION & STEERING GEAR . . . . .	6-3
FRONT SUSPENSION & STEERING GEAR . . . . .	6-4/6-5
STEERING COLUMN . . . . .	6-6/6-7
STEERING COLUMN & COUPLING . . . . .	6-8/6-9
STEERING GEAR ASSEMBLY . . . . .	6-10

## GROUP 7

### FRAME — SPRINGS — BUMPERS

REAR SHOCK ABSORBER — Superlift. . . . .	7-2/7-3
FRONT BUMPER FACE BAR . . . . .	7-4
REAR BUMPER FACE BAR . . . . .	7-5
FRONT STABILIZER . . . . .	7-6

## GROUP 8

### SHEET METAL

ENGINE HOOD — Lock and Support . . . . .	8-2
FRONT FENDER . . . . .	8-3
CENTRE SPLASH GUARD . . . . .	8-4
SIDE SPLASH GUARD . . . . .	8-5
JACK AND SPARE WHEEL . . . . .	8-6

# "UC" TORANA/HOLDEN SUNBIRD PARTS CATALOGUE

## GROUP 9

### ACCESSORIES, AIR CONDITIONER – HEATER

AIR CONDITIONING COMPRESSOR – 6 Cyl. Eng. . . . .	9-2/9-3
AIR CONDITIONING REFRIGERANT HOSES . . . . .	9-4
AIR CONDITIONING HEATER HOSES – Without Exhaust Emission Control – 6 Cyl. Eng. . . . .	9-5
AIR CONDITIONING HEATER HOSES – With Evap. and Exhaust Emission Control – 6 Cyl. Eng. . . . .	9-6
AIR CONDITIONING HOUSING & DUCT . . . . .	9-7
HOUSING – Vent Outlet . . . . .	9-8
DEMISTER DUCT . . . . .	9-9
HEATER & DEMISTER . . . . .	9-10
DUCT & OUTLET – Heater. . . . .	9-11
AIR CONDITIONING CONTROLS – 6 Cyl. Eng. . . . .	9-12/9-13
WATER BAG CARRIER . . . . .	9-14
MUD DEFLECTOR PACKAGE. . . . .	9-15
VANITY MIRROR, DOOR PULL-TO HANDLE, DOOR PROTECTION PLATES. . . . .	9-16
PARCEL SHELF PACKAGE, TRAILER WIRING HARNESS. . . . .	9-17
RADIO PACKAGE. . . . .	9-18
REAR WINDOW VENETIAN SHADE, EXTERIOR SUN SHADE, DOOR WEATHERSHIELD. . . . .	9-19
HATCH HUTCH PACKAGE . . . . .	9-20
HEATED REAR WINDOW – 69 Body Styles. . . . .	9-21
HEATED REAR WINDOW – 77 Body Styles. . . . .	9-22
HEATER HOSES – Opel 4 Cyl. Eng. . . . .	9-23
HEATER HOSES – Without Exhaust Emission Control 6 Cyl. Eng. . . . .	9-24
HEATER HOSES – With Evaporative and Exhaust Emission Control – 6 Cyl. Eng. . . . .	9-25
HEATER CONTROL. . . . .	9-26

## BODY

### GROUP 10

#### WINDSHIELD – DOOR HARDWARE – GLASS

WINDSHIELD WIPER . . . . .	10-2/10-3
WINDSHIELD WIPER MOTOR – Preslite. . . . .	10-4
WINDSHIELD WIPER MOTOR – Lucas . . . . .	10-5
WINDSHIELD WASHER . . . . .	10-6
WINDSHIELD WASHER . . . . .	10-7
WINDSHIELD WIPER DWELL CONTROL. . . . .	10-8
SUN VISOR AND INTERIOR MIRROR . . . . .	10-9
FRONT DOOR MIRROR – Standard Type. . . . .	10-10
EXTERNAL MIRROR LH PACKAGE – External Mirror Remote Control. . . . .	10-11
VANITY MIRROR. . . . .	10-12
INSTRUMENT PANEL COMPARTMENT & FACIA . . . . .	10-13
INSTRUMENT PANEL COMPARTMENT LAMP . . . . .	10-14
GRILLE AND LACING . . . . .	10-15
FRONT DOOR HARDWARE – 69 Body Styles . . . . .	10-16/10-17
FRONT DOOR HARDWARE – 77 Body Styles . . . . .	10-18/10-19
REAR DOOR HARDWARE – 69 Body Styles . . . . .	10-20/10-21
GLASS – 69 Body Styles . . . . .	10-22

## GROUP 11

### REAR GLASS – SEAT & ADJUSTER

QUARTER WINDOW – 77 Body Styles. . . . .	11-2
DOOR SCUFF PLATES . . . . .	11-3
FRONT SEAT RECLINER . . . . .	11-4
FRONT SEAT ADJUSTERS . . . . .	11-5
REAR SEAT BACK – 77 Body Styles. . . . .	11-6/11-7
REAR COMPARTMENT LAMP – 69 Body Styles. . . . .	11-8
DOOR COURTESY LIGHT SWITCHES. . . . .	11-9

## GROUP 12

### MOULDINGS & CLIPS – SHEET METAL

BODY MOULDINGS – 8UG 69 Body Styles . . . . .	12-2
BODY MOULDINGS – 8UH 69 Body Styles . . . . .	12-3
BODY MOULDINGS – 8UH 69 Body Styles with A9H . . . . .	12-4
BODY MOULDINGS – 8UH 77 Body Styles . . . . .	12-5
BODY MOULDINGS – 8UH 77 Body Styles with A9H . . . . .	12-6
MOULDING CLIPS & RETAINERS . . . . .	12-7
DECK LID LOCK – 69 Body Styles . . . . .	12-8
REAR COMPARTMENT LID LOCK – 77 Body Styles . . . . .	12-9
EXTERNAL ORNAMENTATION . . . . .	12-10
SILENCER AND INSULATOR. . . . .	12-11
REAR QUARTER RELIEF VALVE – 69 Body Styles . . . . .	12-12
FUEL TANK FILLER DOOR. . . . .	12-13

## GROUP 13

### BODY WIRING HARNESS

BODY WIRING – 69 Body Styles . . . . .	13-2/12-3
BODY WIRING – 77 Body Styles . . . . .	13-4/13-5

## GROUP 14

### INTERIOR TRIM

INTERIOR TRIM – 69 Body Styles . . . . .	14-2/14-3
INTERIOR TRIM – 77 Body Styles . . . . .	14-4/14-5
FRONT DOOR TRIM & ARM REST – 69 Body Styles . . . . .	14-6
REAR DOOR TRIM & ARM REST – 69 Body Styles . . . . .	14-7
FRONT DOOR TRIM & ARM REST – 77 Body Styles . . . . .	14-8
FRONT SEAT BELTS – Bench Seat – Retractor Type 69 Body Styles . . . . .	14-9
FRONT SEAT BELTS – Bucket Seats – Retractor Type – 69 Body Styles. . . . .	14-10
FRONT SEAT BELTS – Bucket Seats – Retractor Type – 77 Body Styles. . . . .	14-11
GUIDE EXTENSION – Front Seat Belts . . . . .	14-12
INSTRUMENT PANEL PAD . . . . .	14-13
HEADLINING & ASSIST GRIP – 69 Body Styles . . . . .	14-14
HEADLINING & ASSIST GRIP – 77 Body Styles . . . . .	14-15

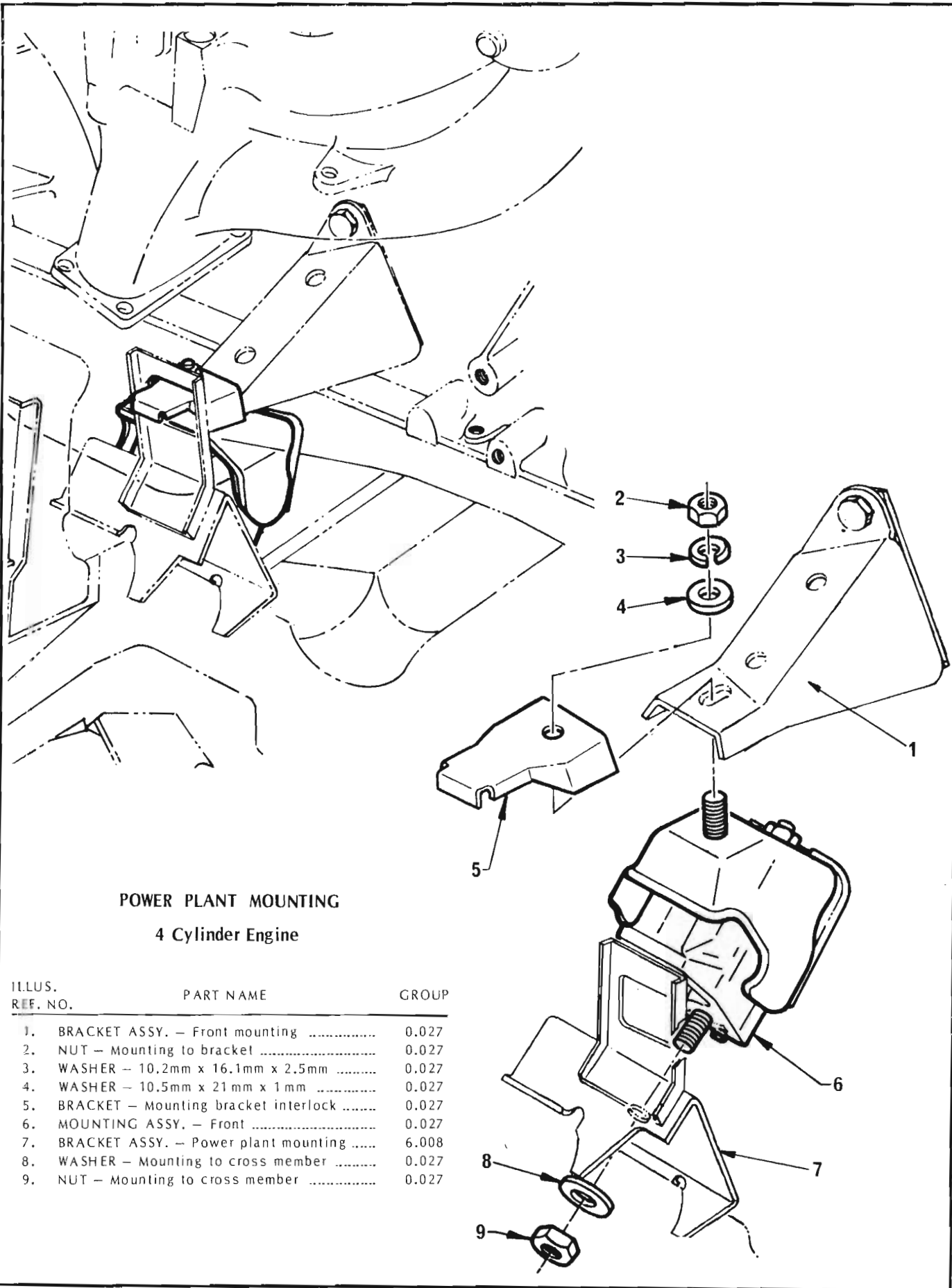


**GROUP 15**

**REAR TRIM – MATS – CARPETS**

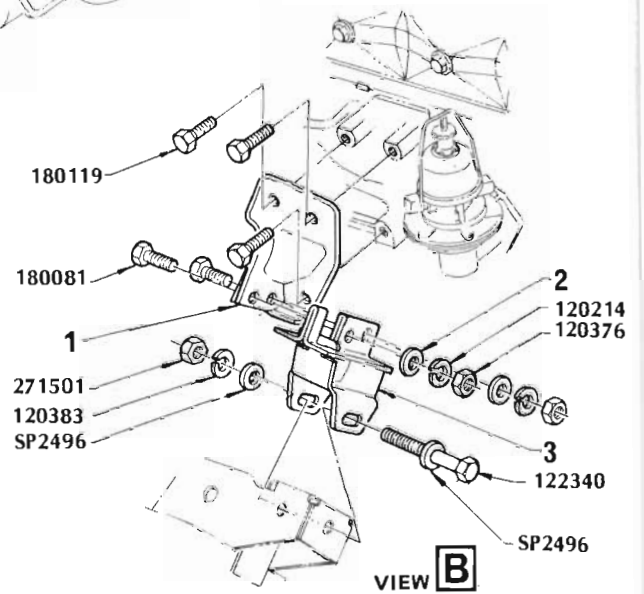
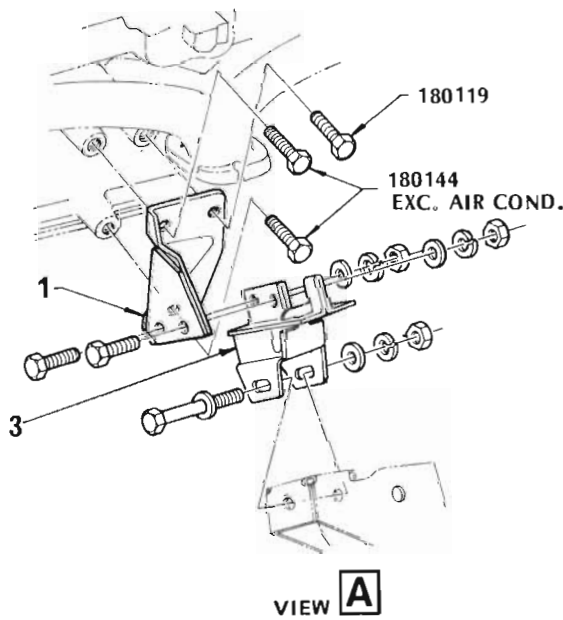
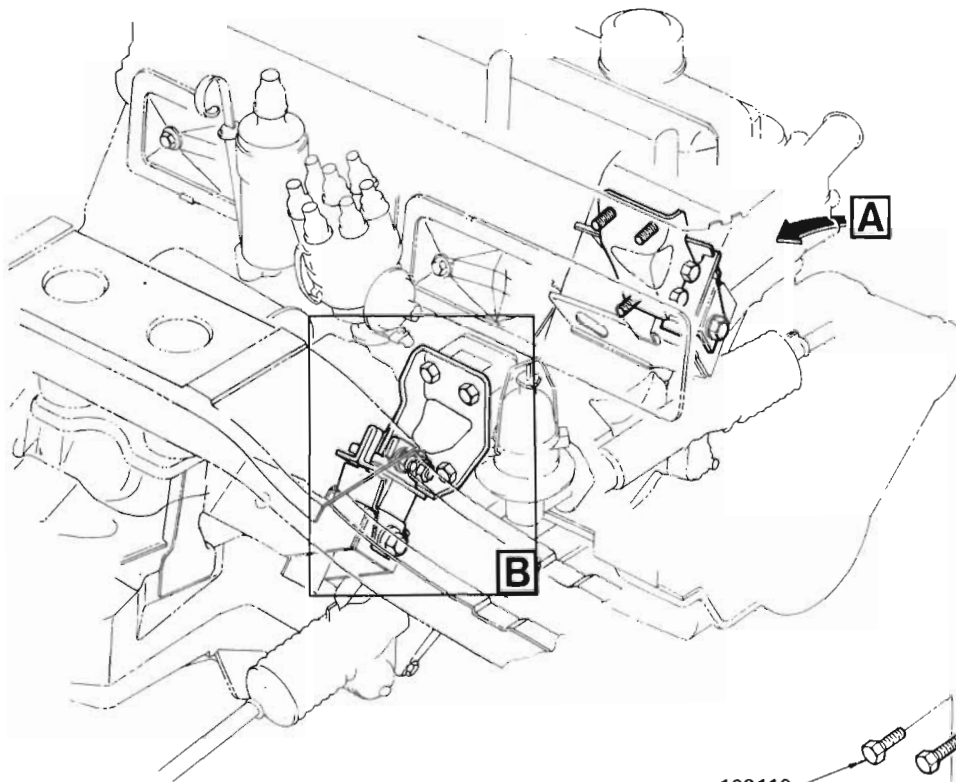
REAR SEAT BELTS – Retractable Type – 69 Body Styles	15-2
REAR SEAT BELTS – Non Retractable Type – 69 Body Styles . . . . .	15-3
REAR SEAT BELTS – 77 Body Styles . . . . .	15-4
CARPET – Wheelhouse – 77 Body Styles. . . . .	15-5
REAR QUARTER TRIM – 77 Body Styles. . . . .	15-6
TRANSMISSION CONSOLE . . . . .	15-7
MAT – Luggage Compartment – 69 Body Styles. . . . .	15-8
CARPET – Rear Compartment – 77 Body Styles . . . . .	15-9
FLOOR CARPETS . . . . .	15-10

GROUP 0.000  
ENGINE-CLUTCH



**POWER PLANT MOUNTING**  
4 Cylinder Engine

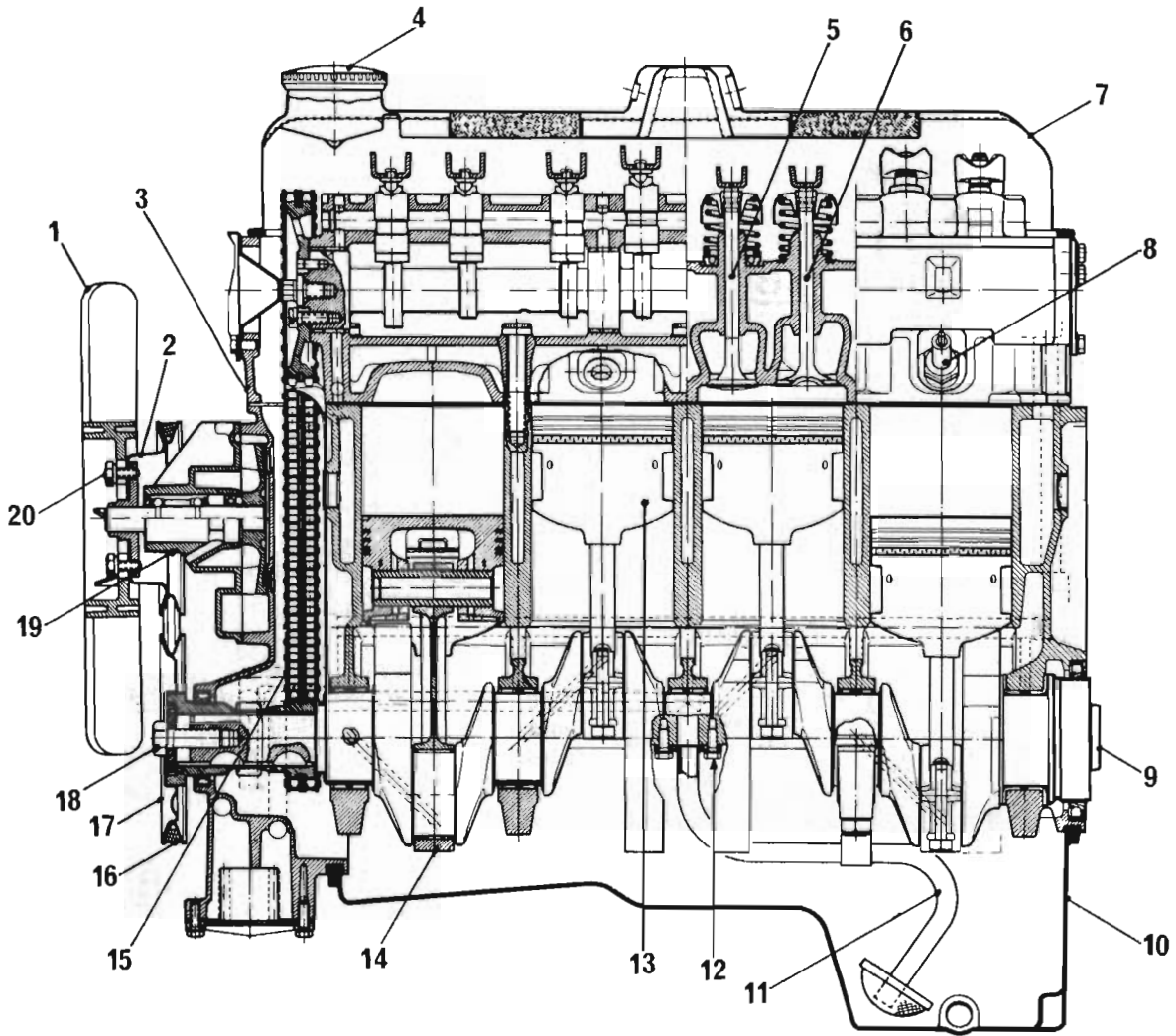
ILLUS. REF. NO.	PART NAME	GROUP
1.	BRACKET ASSY. - Front mounting .....	0.027
2.	NUT - Mounting to bracket .....	0.027
3.	WASHER - 10.2mm x 16.1mm x 2.5mm .....	0.027
4.	WASHER - 10.5mm x 21mm x 1mm .....	0.027
5.	BRACKET - Mounting bracket interlock .....	0.027
6.	MOUNTING ASSY. - Front .....	0.027
7.	BRACKET ASSY. - Power plant mounting .....	6.008
8.	WASHER - Mounting to cross member .....	0.027
9.	NUT - Mounting to cross member .....	0.027



**ENGINE MOUNTINGS**  
**6 CYLINDER ENGINE**

ILLUS. REF. NO.	PART NAME	GROUP
1.	BRACKET ASSEMBLY - Front mounting .....	0.027
2.	WASHER - Mounting to bracket .....	0.027
3.	MOUNTING ASSEMBLY - Front .....	0.027

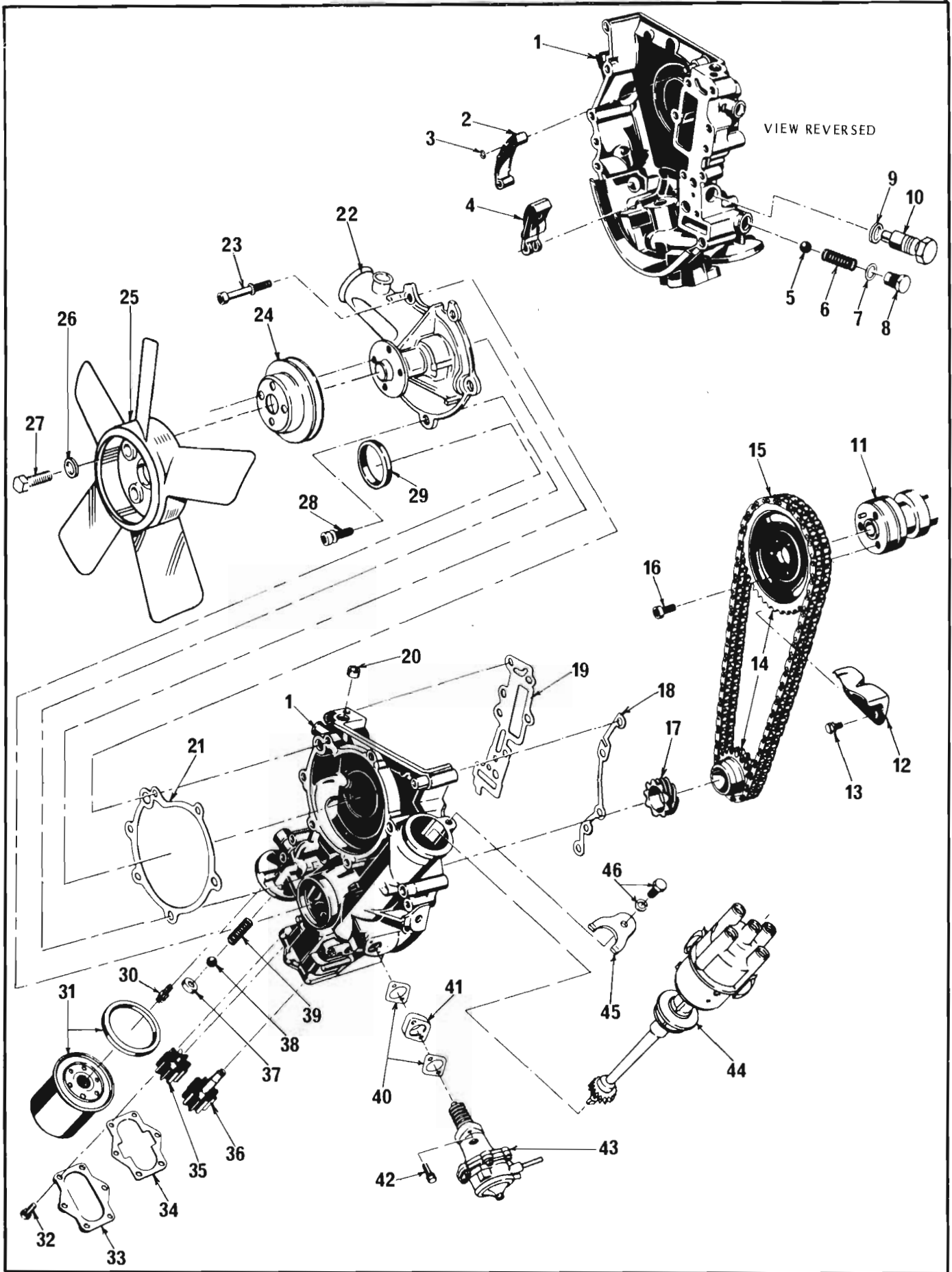




**ENGINE  
OPEL - 4 CYLINDER**

**ILLUSTRATION OPPOSITE**

ILLUS. REF. NO.	PART NAME	GROUP
1.	BLADE ASSEMBLY - Fan .....	1.064
2.	PULLEY - Water pump and fan .....	1.062
3.	COVER ASSEMBLY - Crankcase front end .....	0.206
4.	CAP - Oil filler .....	1.758
5.	VALVE - Exhaust .....	0.297
6.	VALVE - Inlet .....	0.296
7.	COVER - Valve rocker .....	0.386
8.	PLUG ASSEMBLY - Spark .....	2.270
9.	CRANKSHAFT ASSEMBLY .....	0.646
10.	PAN ASSEMBLY - Oil .....	1.426
11.	PIPE & SCREEN ASSEMBLY .....	1.656
12.	BOLT - Pipe to cylinder block .....	1.656
13.	PISTON & PIN ASSEMBLY .....	0.629
14.	ROD ASSEMBLY - Connecting .....	0.603
15.	CHAIN - Timing .....	0.724
16.	BELT - Fan and alternator .....	1.066
17.	PULLEY - Crankshaft .....	0.659
18.	BOLT - Thrust washer to pulley .....	0.659
19.	PUMP ASSEMBLY - Water .....	1.069
20.	BOLT - Fan blade attaching .....	1.064



# "UC" TORANA/HOLDEN SUNBIRD PARTS CATALOGUE

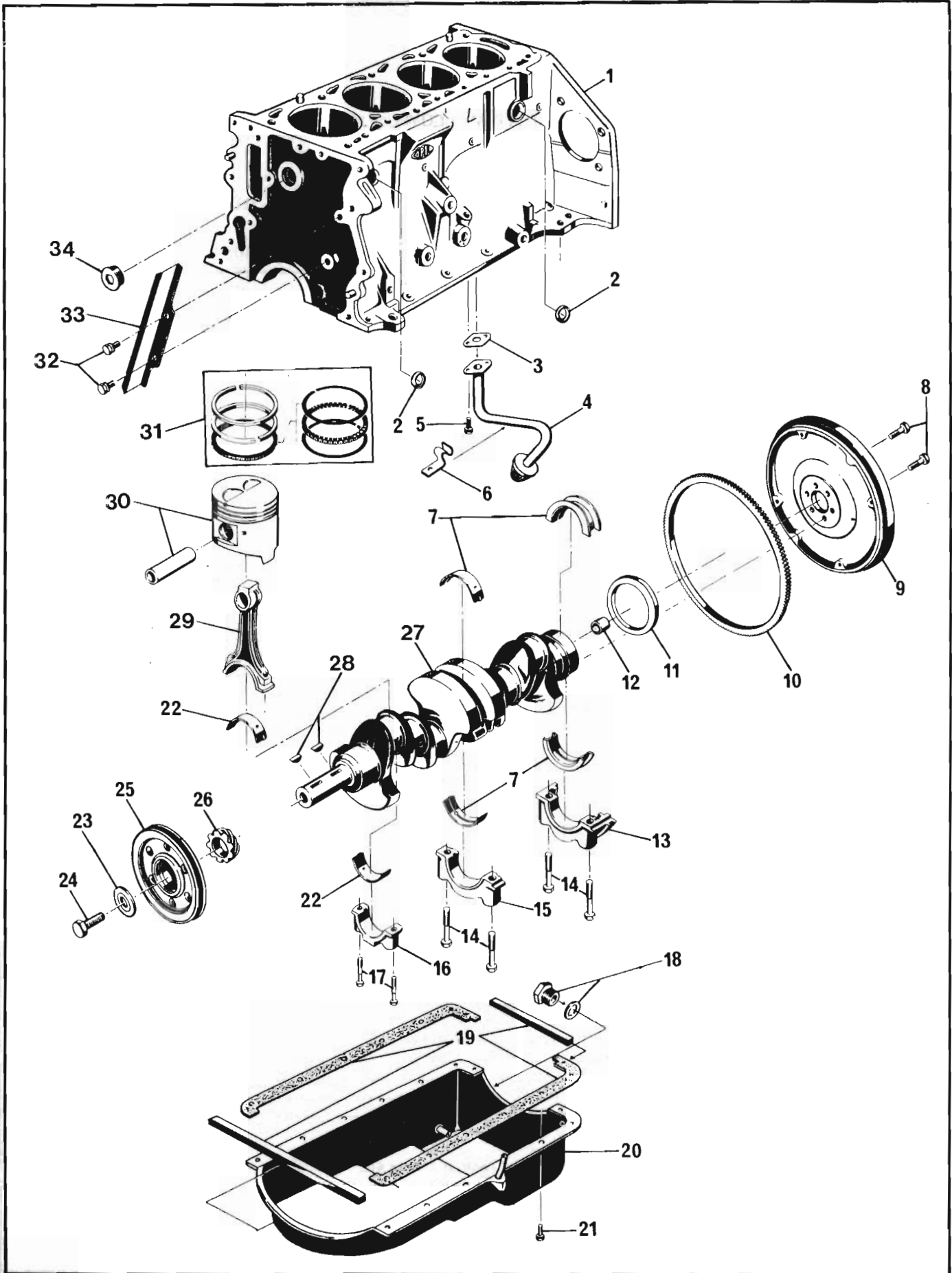
## FRONT COVER AND COMPONENTS

OPEL - 4 CYLINDER ENGINE

ILLUSTRATION OPPOSITE

ILLUS. REF. NO.	PART NAME	GROUP
1.	COVER ASSEMBLY - Crankcase front end .....	0.206
2. *	RAIL - Timing chain slide .....	0.726
3.	BOLT - Arm and slide rail .....	0.726
4. *	ARM - Timing chain tensioner .....	0.726
5.	BALL - Regulator valve .....	1.609
6.	SPRING - Regulator valve .....	1.610
7.	GASKET - Regulator spring plug .....	1.611
8.	PLUG - Regulator spring .....	1.611
9. *	RING - Tensioner housing sealing .....	0.726
10.	TENSION ASSEMBLY - Timing chain .....	0.726
11.	CAMSHAFT .....	0.519
12.	SUPPORT - Camshaft gear .....	0.732
13.	SCREW - Camshaft support .....	0.732
14.	KIT - Camshaft timing .....	0.732
15. *	CHAIN - Timing .....	0.724
16. *	SCREW - Camshaft stop .....	0.736
17.	GEAR - Camshaft .....	0.728
18.	GASKET - Crankcase front end cover - Left hand .....	0.207
19.	GASKET - Crankcase front end cover - Right hand .....	0.207
20.	PLUG - Cover upper .....	0.209
21.	GASKET - Water pump to engine .....	1.079
22.	PUMP - Water .....	1.069
23.	BOLT - W.P 7mm x 1mm x 72mm .....	1.069
24.	PULLEY - Water pump and fan .....	1.062
25.	BLADE - Fan .....	1.064
26.	WASHER - Fan .....	1.064
27.	SCREW - Fan .....	1.064
28.	BOLT - W.P. 7mm x 1mm x 20mm .....	1.069
29.	SEAL - Front end cover .....	0.209
30.	CONNECTOR - Oil filter element .....	1.835
31.	ELEMENT - Oil filter .....	1.835
32.	SCREW - Oil pump cover .....	1.723
33.	COVER - Oil pump .....	1.723
34.	GASKET - Oil pump cover .....	1.724
35.	GEAR - Driven .....	1.659
36.	GEAR & SHAFT ASSEMBLY .....	1.659
37.	SLEEVE - Oil filter ball valve .....	1.837
38.	BALL - Oil filter short circuit .....	1.837
39.	SPRING - Oil filter ball valve .....	1.837
40.	GASKET - Fuel pump flange - .05mm .....	3.932
41.	GASKET - Fuel pump flange - 2.4mm .....	3.932
42.	BOLT - Fuel pump to cylinder block .....	3.900
43.	PUMP - Fuel .....	3.900
44.	DISTRIBUTOR .....	2.361
45.	BRACKET - Distributor .....	2.414
46.	BOLT & LOCK WASHER - Distributor .....	2.414

NOTE: \* Included in Camshaft Timing Kit.

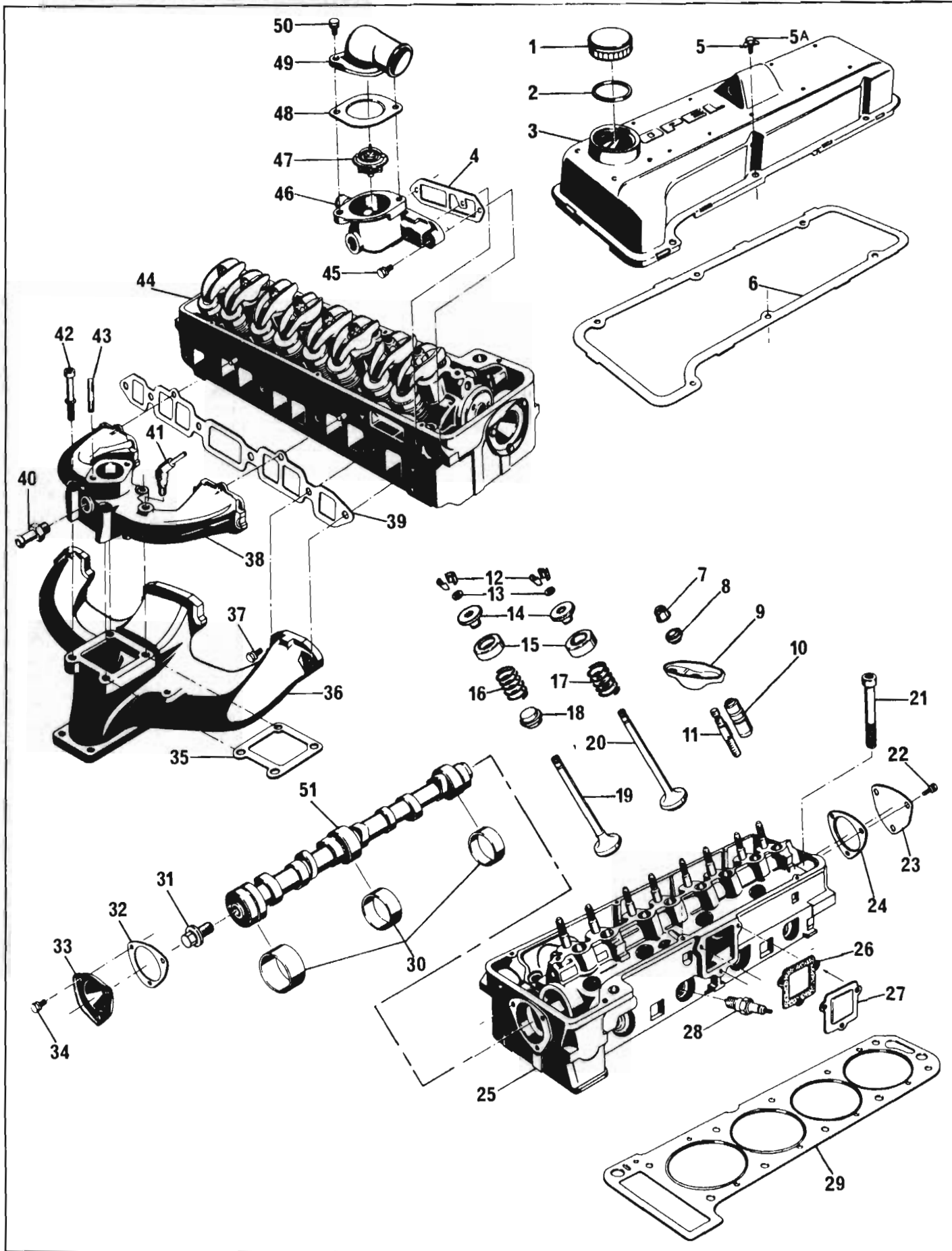


**CYLINDER BLOCK AND OIL PAN**

**OPEL - 4 CYLINDER ENGINE**

**ILLUSTRATION OPPOSITE**

ILLUS. REF. NO.	PART NAME	GROUP
1.	BLOCK .....	N. S. S.
2.	PLUG - Water jacket expansion .....	0.033
3.	GASKET - Suction tube flange .....	1.656
4.	TUBE & SCREEN ASSEMBLY .....	1.656
5.	BOLT - Hex. hd. with spring washer .....	1.656
6.	CLIP - Suction tube .....	1.656
7.	BEARING SET - Crankshaft .....	0.094
8.	BOLT - Flywheel to crankshaft .....	0.669
9/10.	FLYWHEEL & RING GEAR ASSEMBLY .....	0.666
11.	SEAL - Crankshaft .....	0.137
12.	BEARING - Crankshaft clutch pilot .....	0.649
13.	CAP - Main bearing .....	N. S. S.
14.	BOLT - Main bearing cap .....	0.056
15.	CAP - Main bearing .....	N. S. S.
16.	CAP - Connecting rod .....	N. S. S.
17.	BOLT - Connecting rod .....	0.623
18.	PLUG & GASKET ASSEMBLY - Oil pan .....	1.453
19.	GASKET SET - Oil pan .....	1.429
20.	PAN ASSEMBLY - Oil .....	1.426
21.	SCREW - Oil pan .....	1.426
22.	BEARING SET - Connecting rod .....	0.616
23.	WASHER - Crankshaft pulley .....	0.659
24.	BOLT - Crankshaft pulley .....	0.659
25.	PULLEY - Crankshaft .....	0.659
26.	GEAR - Crankshaft .....	0.728
27.	CRANKSHAFT .....	0.646
28.	KEY - Crankshaft .....	0.728
29.	ROD - Connecting .....	0.603
30.	PISTON & PIN ASSEMBLY .....	0.629
31.	RING SET - Piston .....	0.643
32.	BOLT - Timing chain guide .....	0.724
33.	GUIDE - Timing chain .....	0.724
34.	PLUG - Water jacket .....	0.033

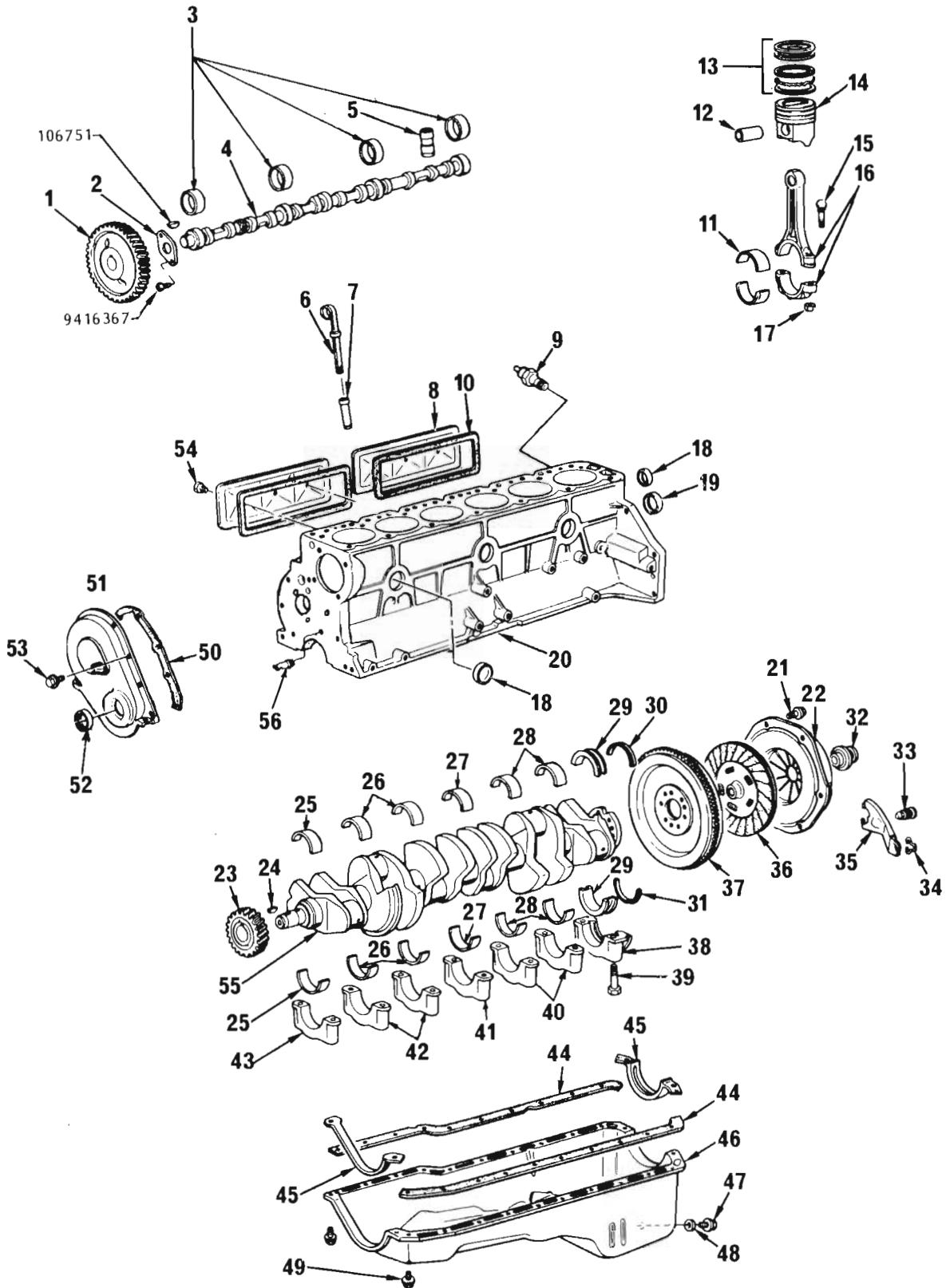


**CYLINDER HEAD  
4 Cylinder Engine**

ILLUSTRATION OPPOSITE

ILLUS. REF. NO.	PART NAME	GROUP
1.	CAP - Oil filler .....	1.758
2.	GASKET - Oil filler cap .....	1.517
3.	COVER - Valve rocker .....	0.386
4.	GASKET - Thermostat housing .....	1.252
5.	REINFORCEMENT - Rocker cover .....	0.413
5A.	BOLT - Rocker cover fixing .....	0.386
6.	GASKET - Valve rocker cover .....	0.423
7.	NUT - Valve rocker arm .....	0.429
8.	BALL UNIT - Valve rocker arm .....	0.429
9.	ARM - Valve rocker .....	0.333
10.	LIFTER - Valve .....	0.459
11.	SCREW - Valve rocker arm .....	0.429
12.	KEY - Valve stem .....	0.310
13.	SEAL - Valve stem .....	0.308
14.	CUP - Valve spring .....	0.309
15.	CAP - Valve stem .....	0.308
16.	SPRING - Exhaust valve .....	0.303
17.	SPRING - Inlet valve .....	0.303
18.	ROTATOR - Exhaust valve .....	0.309
19.	VALVE - Exhaust .....	0.297
20.	VALVE - Inlet .....	0.296
21.	BOLT - Cylinder head .....	0.293
22.	BOLT - Camshaft cover .....	0.386
23.	COVER - Camshaft rear .....	0.386
24.	GASKET - Camshaft cover .....	0.386
25.	HEAD - Cylinder .....	0.269
26.	GASKET - Side cover .....	0.269
27.	COVER - Side .....	0.269
28.	SPARK PLUG .....	2.270
29.	GASKET - Cylinder head .....	0.289
30.	BEARING - Camshaft .....	0.539
31.	BOLT - Camshaft locator .....	0.533
32.	GASKET - Camshaft cover .....	0.386
33.	COVER - Camshaft front .....	0.386
34.	BOLT - Camshaft cover .....	0.386
35.	GASKET - Inlet to exhaust manifold .....	3.270
36.	MANIFOLD - Exhaust .....	3.601
37.	BOLT - Manifold to cylinder head .....	3.601
38.	MANIFOLD - Inlet .....	3.265
39.	GASKET - Manifold to cylinder head .....	3.270
40.	NOZZLE - Heater .....	9.779
41.	ADAPTOR - Vacuum .....	3.265
42.	BOLT - Inlet manifold to exhaust manifold .....	
43.	STUD - Manifold .....	3.288
44.	HEAD - Cylinder .....	0.269
45.	BOLT - Thermostat housing .....	1.251
46.	HOUSING - Thermostat .....	1.251
47.	THERMOSTAT .....	1.246
48.	GASKET - Water outlet .....	1.154
49.	OUTLET - Cylinder head water .....	1.153
50.	BOLT - Water outlet .....	1.153
51.	CAMSHAFT .....	0.519

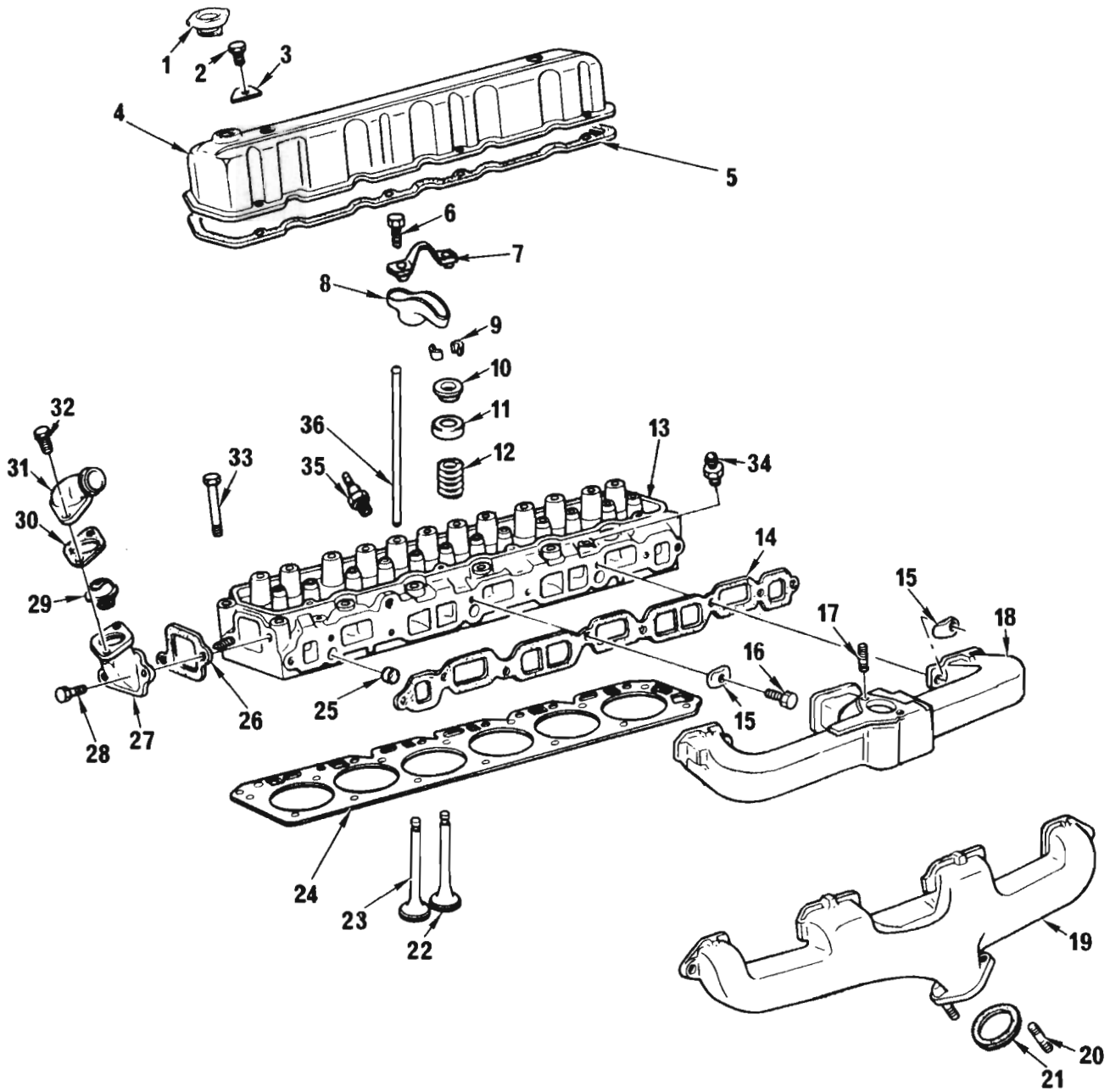




CYLINDER BLOCK  
6 CYLINDER ENGINE

ILLUSTRATION OPPOSITE

ILLUS. REF. NO.	PART NAME	GROUP
1.	GEAR - Camshaft .....	0.736
2.	BEARING - Camshaft thrust .....	0.533
3.	BEARING SET - Camshaft .....	0.536
4.	CAMSHAFT .....	0.519
5.	LIFTER ASSEMBLY - Hydraulic valve .....	0.459
6.	INDICATOR ASSEMBLY - Oil level .....	1.516
7.	TUBE - Oil level indicator .....	1.516
8.	COVER ASSEMBLY - Valve push rod .....	0.439
9.	SWITCH ASSEMBLY - Oil pressure .....	1.803
10.	GASKET - Valve push rod cover .....	0.443
11.	BEARING - Connecting rod .....	0.616
12.	PIN - Piston .....	0.636
13.	RING SET - Piston .....	0.643
14.	PISTON & PIN ASSEMBLY .....	0.629
15.	BOLT - Connecting rod .....	0.623
16.	ROD ASSEMBLY - Connecting .....	0.603
17.	NUT - Connecting rod bolt .....	0.626
18.	PLUG - Water jacket .....	0.033
19.	PLUG - Camshaft rear hearing .....	0.553
20.	BLOCK ASSEMBLY .....	0.033
21.	BOLT - Clutch to flywheel .....	0.870
22.	COVER & PRESSURE PLATE ASSEMBLY - Clutch .....	0.861
23.	GEAR - Crankshaft .....	0.728
24.	KEY - Woodruff .....	0.728
25-29	BEARING SET - Crankshaft .....	0.094
25.	BEARING UNIT - Front .....	0.096
26.	BEARING UNIT - Front intermediate .....	0.099
27.	BEARING UNIT - Centre .....	0.101
28.	BEARING UNIT - Rear intermediate .....	0.103
29.	BEARING UNIT - Rear .....	0.106
30.	SEAL - Upper .....	0.137
31.	SEAL - Lower .....	0.137
32.	BEARING ASSEMBLY .....	0.799
33.	STUD - Clutch lever ball .....	0.796
34.	SPRING - Ball stud .....	0.796
35.	LEVER - Clutch .....	0.795
36.	PLATE ASSEMBLY - Clutch driven .....	0.886
37.	FLYWHEEL & RING GEAR ASSEMBLY .....	0.666
38.	CAP - Rear bearing .....	0.105
39.	BOLT - Bearing cap .....	0.056
40.	CAP - Rear intermediate bearing .....	0.102
41.	CAP - Centre bearing .....	0.100
42.	CAP - Front intermediate bearing .....	0.098
43.	CAP - Front bearing .....	0.095
44.	GASKET SET .....	1.429
45.	SEAL - Oil pan .....	1.429
46.	PAN ASSEMBLY - Oil .....	1.426
47.	PLUG - Oil pan .....	1.426
48.	WASHER - Oil pan plug .....	1.426
49.	BOLT & WASHER .....	1.426
50.	GASKET - Front end cover .....	0.207
51.	COVER - Front end .....	0.206
52.	SEAL - Front end cover .....	0.209
53.	BOLT - Front end cover .....	0.206
54.	BOLT & SEAL ASSEMBLY - Valve push rod cover .....	0.449
55.	CRANKSHAFT .....	0.646
56.	NOZZLE - Timing gear oil .....	0.748

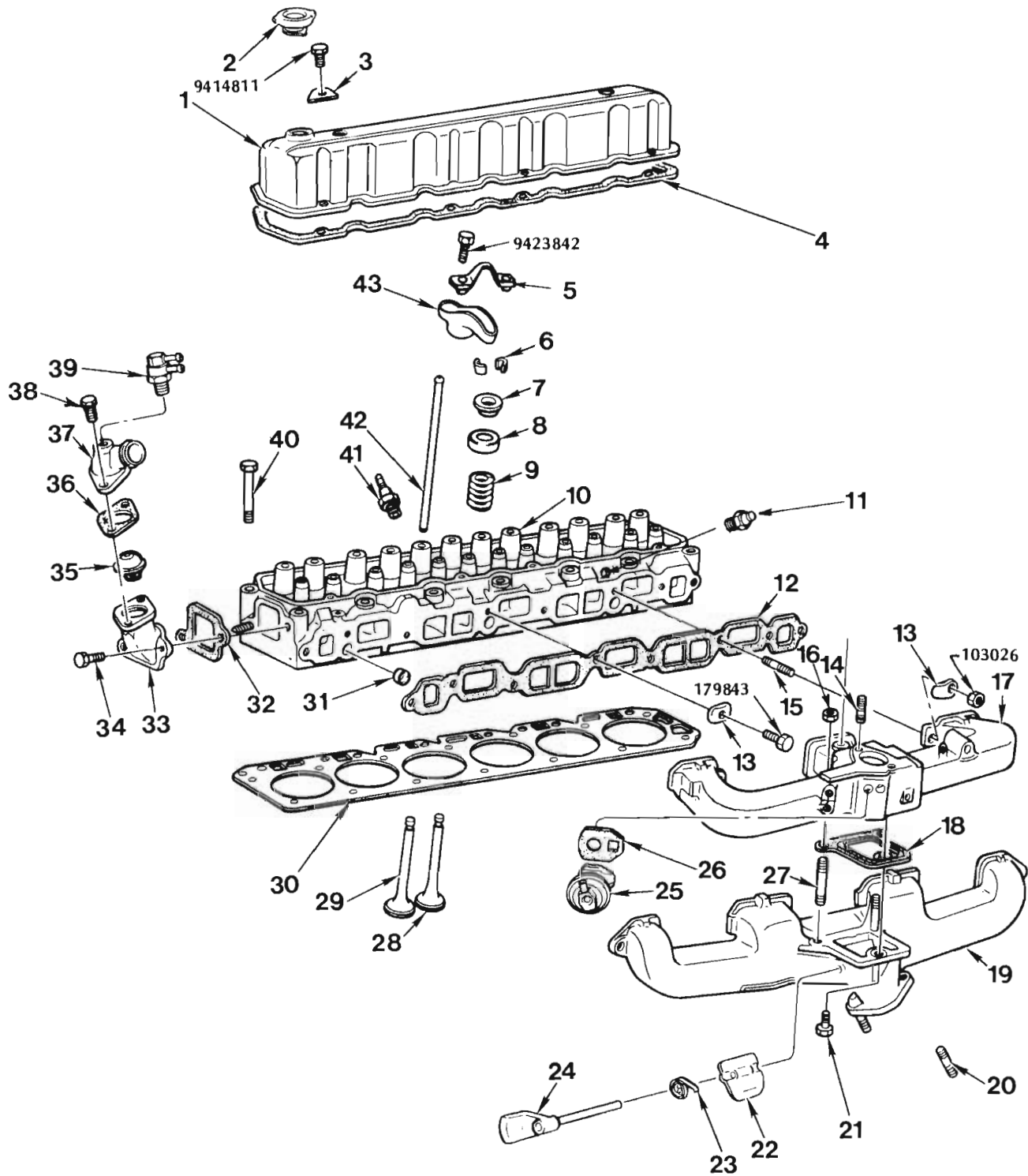


**"UC" TORANA/HOLDEN SUNBIRD PARTS CATALOGUE**

**CYLINDER HEAD  
WITHOUT EXHAUST EMISSION CONTROL  
6 CYLINDER ENGINE**

**ILLUSTRATION OPPOSITE**

ILLUS. REF. NO.	PART NAME	GROUP
1.	CAP ASSEMBLY – Oil filler .....	1.758
2.	BOLT – Cover .....	0.386
3.	REINFORCEMENT – Valve rocker cover bolt .....	0.413
4.	COVER – Valve rocker .....	0.386
5.	GASKET – Valve rocker cover .....	0.423
6.	BOLT – Pivot .....	0.429
7.	PIVOT – Valve rocker arm .....	0.429
8.	ARM – Valve rocker .....	0.333
9.	KEY – Valve stem .....	0.310
10.	CAP – Valve spring .....	0.309
11.	SHIELD – Valve stem .....	0.308
12.	SPRING – Valve .....	0.303
13.	HEAD – Cylinder .....	0.269
14.	GASKET – Manifold .....	3.270
15.	CLAMP – Manifold .....	3.273
16.	BOLT – Manifold to head .....	3.275
17.	STUD – Carburettor to manifold .....	3.288
18.	MANIFOLD – Inlet .....	3.265
19.	MANIFOLD – Exhaust .....	3.601
20.	STUD – Exhaust pipe to manifold .....	3.275
21.	PACKING – Exhaust pipe .....	3.611
22.	VALVE – Exhaust .....	0.297
23.	VALVE – Inlet .....	0.296
24.	GASKET – Cylinder head .....	0.289
25.	PLUG – Water jacket core .....	0.033
26.	GASKET – Thermostat housing .....	1.252
27.	HOUSING – Thermostat .....	1.252
28.	BOLT – Thermostat housing .....	1.251
29.	THERMOSTAT .....	1.246
30.	GASKET – Cylinder head water outlet .....	1.154
31.	OUTLET – Cylinder head water .....	1.153
32.	BOLT – Cylinder head water outlet .....	1.153
33.	BOLT – Cylinder head .....	0.293
34.	SWITCH – Thermo tell tale .....	1.150
35.	PLUG – Spark .....	2.270
36.	ROD – Valve push .....	0.426

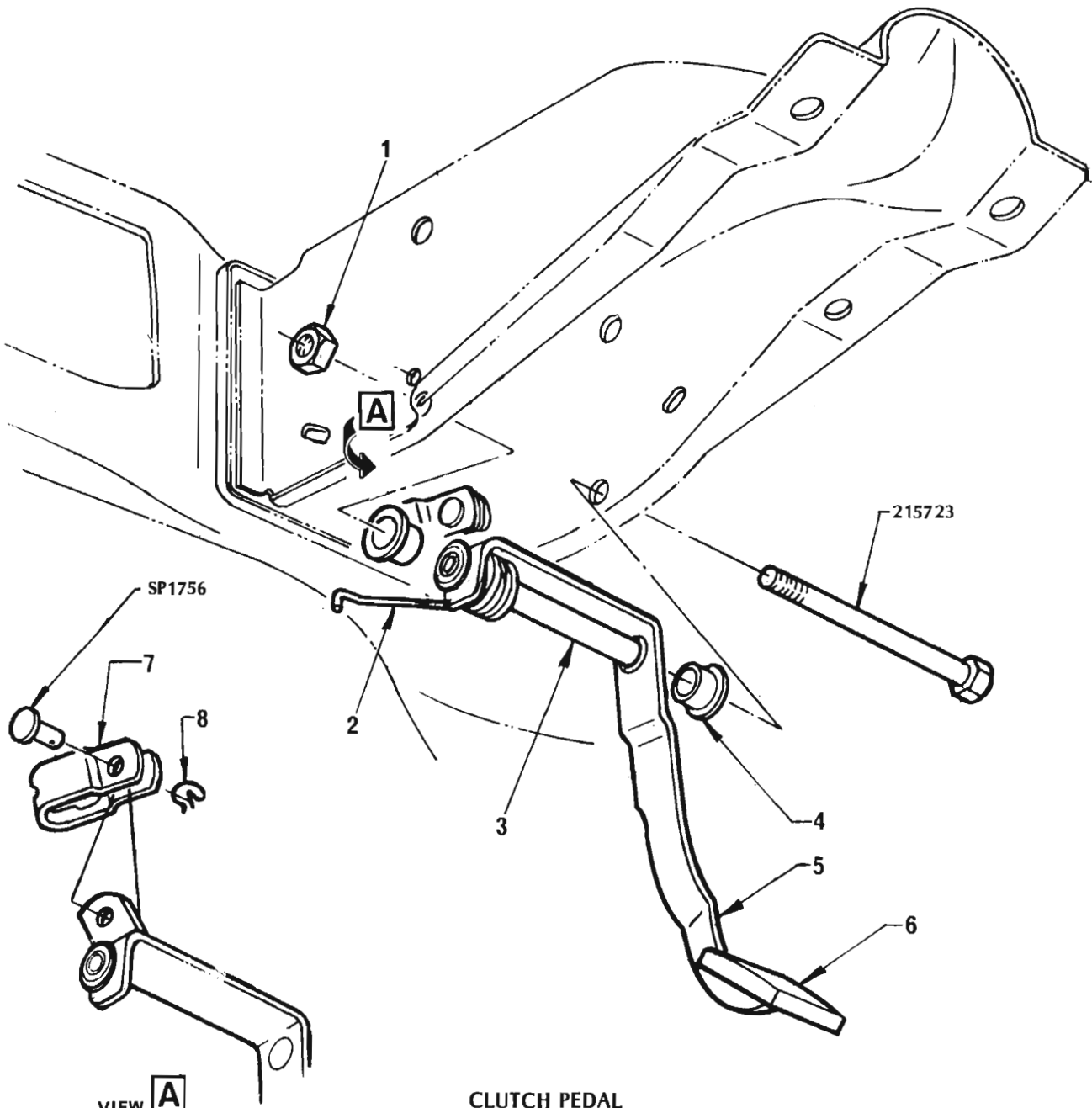


**CYLINDER HEAD**

**6 CYLINDER ENGINE – WITH EVAPORATIVE AND EXHAUST EMISSION CONTROL**

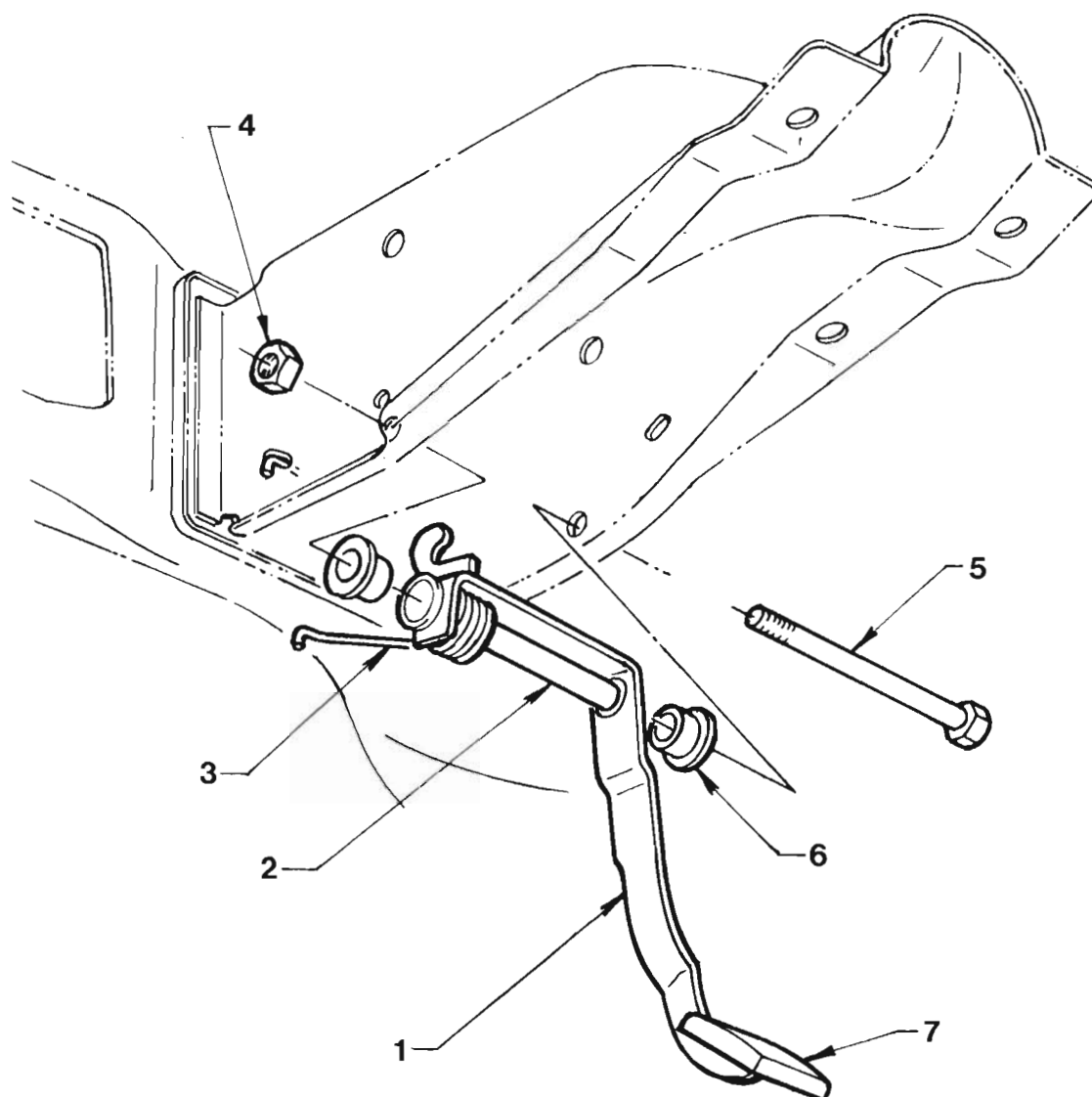
**ILLUSTRATION OPPOSITE**

ILLUS. REF. NO.	PART NAME	GROUP
1.	COVER – Valve rocker .....	0.386
2.	CAP ASSEMBLY – Oil filler .....	1.758
3.	REINFORCEMENT – Valve rocker cover bolt .....	0.413
4.	GASKET – Valve rocker cover .....	0.423
5.	PIVOT – Valve rocker arm .....	0.429
6.	KEY – Valve stem .....	0.310
7.	CAP – Valve spring .....	0.309
8.	SHIELD – Valve stem .....	0.308
9.	SPRING – Valve .....	0.303
10.	HEAD – Cylinder .....	0.269
11.	SWITCH – Temperature warning lamp .....	1.150
12.	GASKET – Manifold .....	3.270
13.	CLAMP – Manifold .....	3.273
14.	STUD – Carburettor to manifold .....	3.288
15.	STUD – Inlet & exhaust manifold to cylinder head ..	3.275
16.	NUT – Inlet & exhaust manifold attaching .....	3.275
17.	MANIFOLD – Inlet .....	3.265
18.	GASKET – Inlet to exhaust manifold .....	3.270
19.	MANIFOLD – Exhaust .....	3.601
20.	STUD – Exhaust pipe to manifold .....	3.275
21.	BOLT – Inlet to exhaust manifold .....	3.275
22.	VALVE – Manifold heat control .....	N. S. S.
23.	THERMOSTAT – Exhaust manifold valve .....	3.640
24.	SHAFT – Exhaust manifold valve .....	N. S. S.
25.	VALVE ASSEMBLY – Exhaust gas recirculation .....	3.670
26.	GASKET – Exhaust gas recirculation valve to manifold	3.670
27.	STUD – Inlet & exhaust manifold attaching .....	3.275
28.	VALVE – Inlet .....	0.296
29.	VALVE – Exhaust .....	0.297
30.	GASKET – Cylinder head .....	0.289
31.	PLUG – Water jacket core .....	0.269
32.	GASKET – Thermostat housing .....	1.252
33.	HOUSING – Thermostat .....	1.251
34.	BOLT – Thermostat housing .....	1.251
35.	THERMOSTAT .....	1.246
36.	GASKET – Thermostat housing inlet cover .....	1.154
37.	COVER – Thermostat housing inlet .....	1.153
38.	BOLT – Cover to thermostat housing .....	1.153
39.	SWITCH – Thermal vacuum .....	3.670
40.	BOLT – Cylinder head .....	0.293
41.	PLUG – Spark .....	2.270
42.	ROD – Valve push .....	0.426
43.	ARM – Valve rocker .....	0.333



**CLUTCH PEDAL**  
**OPEL - 4 CYLINDER ENGINE**

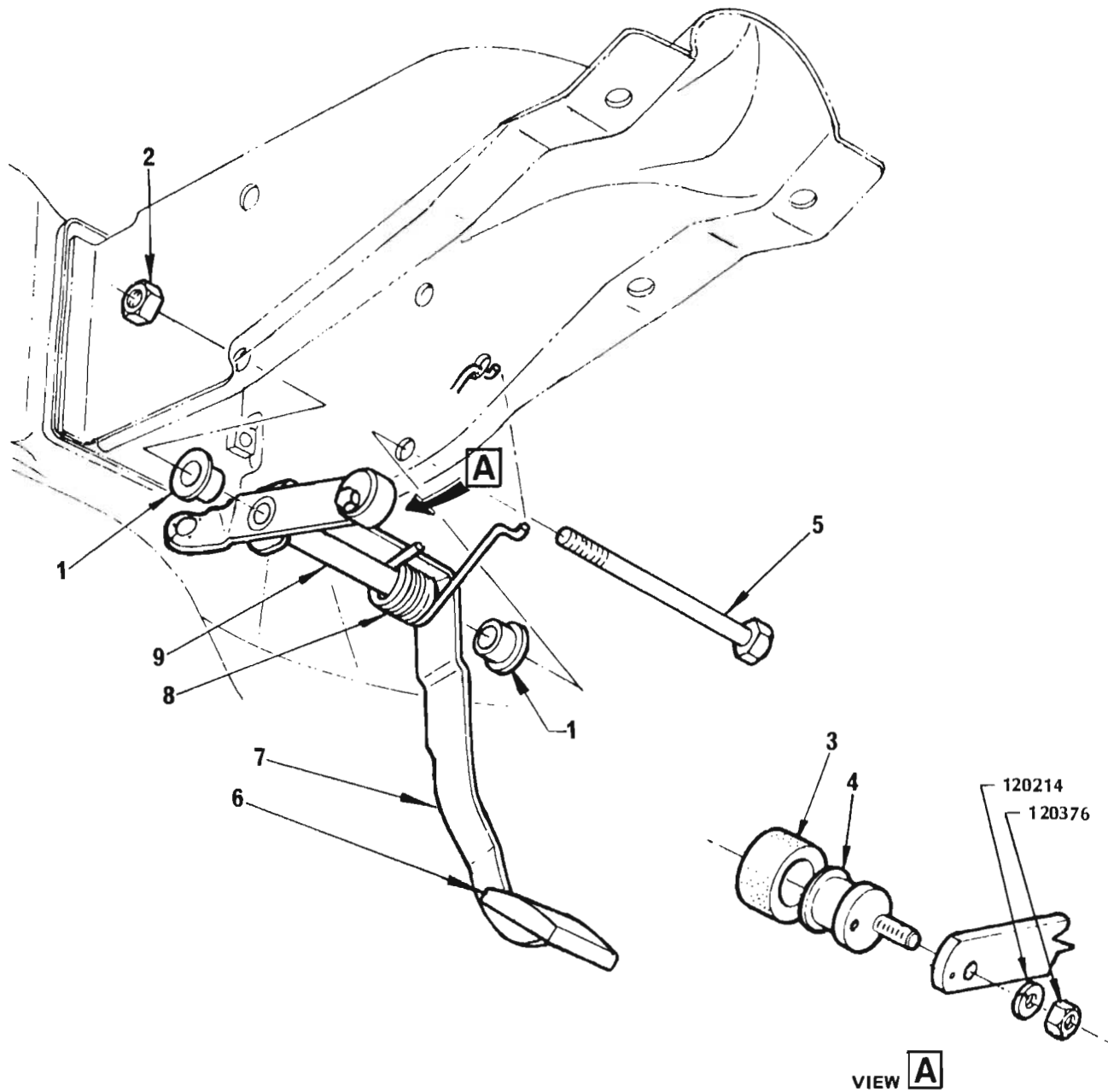
ILLUS. REF. NO.	PART NAME	GROUP
1.	NUT - Clutch pedal bolt .....	0.837
2.	SPRING - Pedal return .....	0.844
3.	SPACER - Pedal pivot .....	0.831
4.	BUSH - Clutch pedal .....	0.831
5.	PEDAL ASSEMBLY - Clutch .....	0.830
6.	PAD - Clutch pedal .....	0.830
7.	CLEVIS - Clutch pedal .....	0.787
8.	CLIP - Clevis pin .....	0.787



**CLUTCH PEDAL  
TORQUEMASTER TRANSMISSION  
6 CYLINDER ENGINE**

ILLUS. REF. NO.	PART NAME	GROUP
1.	PEDAL ASSEMBLY - Clutch .....	0.830
2.	SPACER - Pedal pivot .....	0.831
3.	SPRING - Pedal return .....	0.844
4.	NUT - Pedal pivot .....	0.837
5.	BOLT - Pedal retaining .....	0.837
6.	BUSH - Clutch pedal .....	0.831
7.	PAD - Clutch pedal .....	0.830



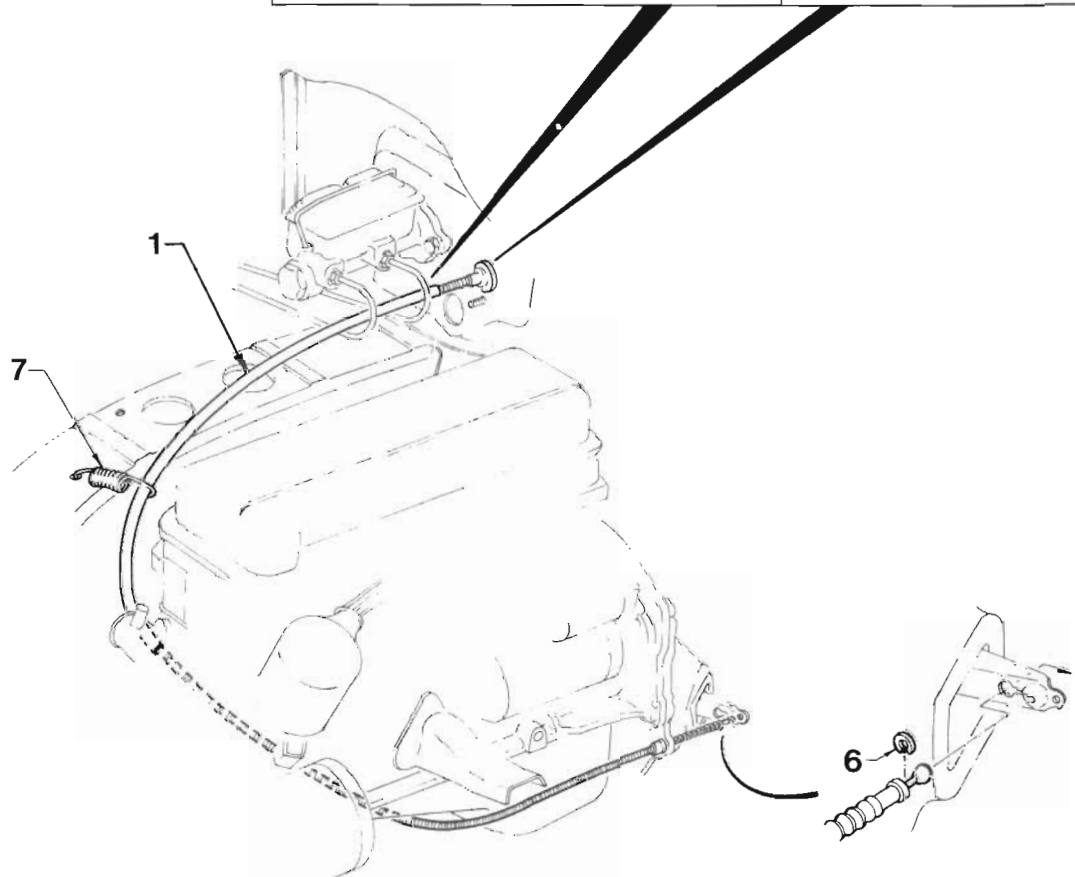
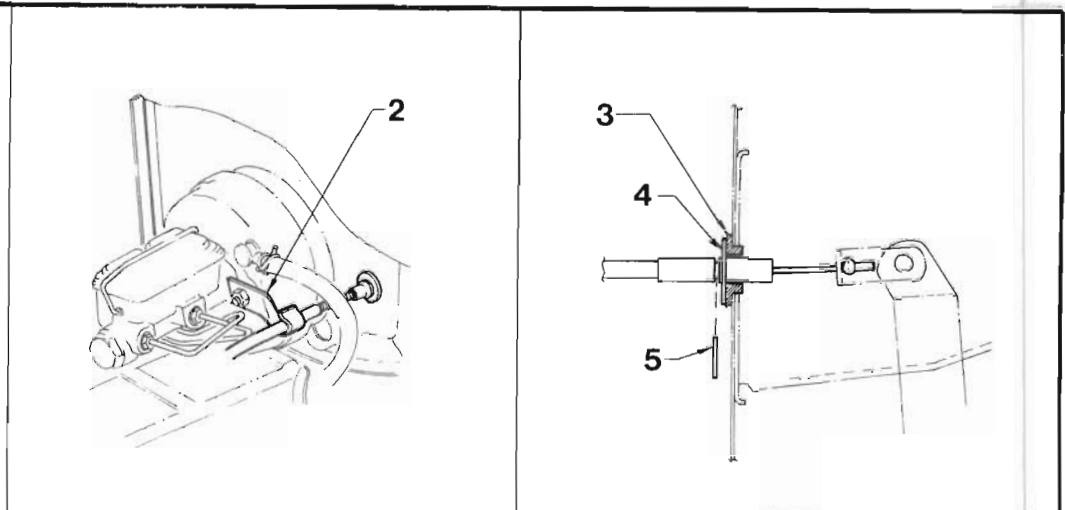


**CLUTCH PEDAL**

6 CYLINDER ENGINE

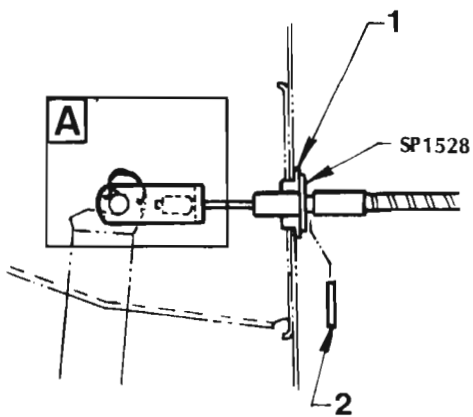
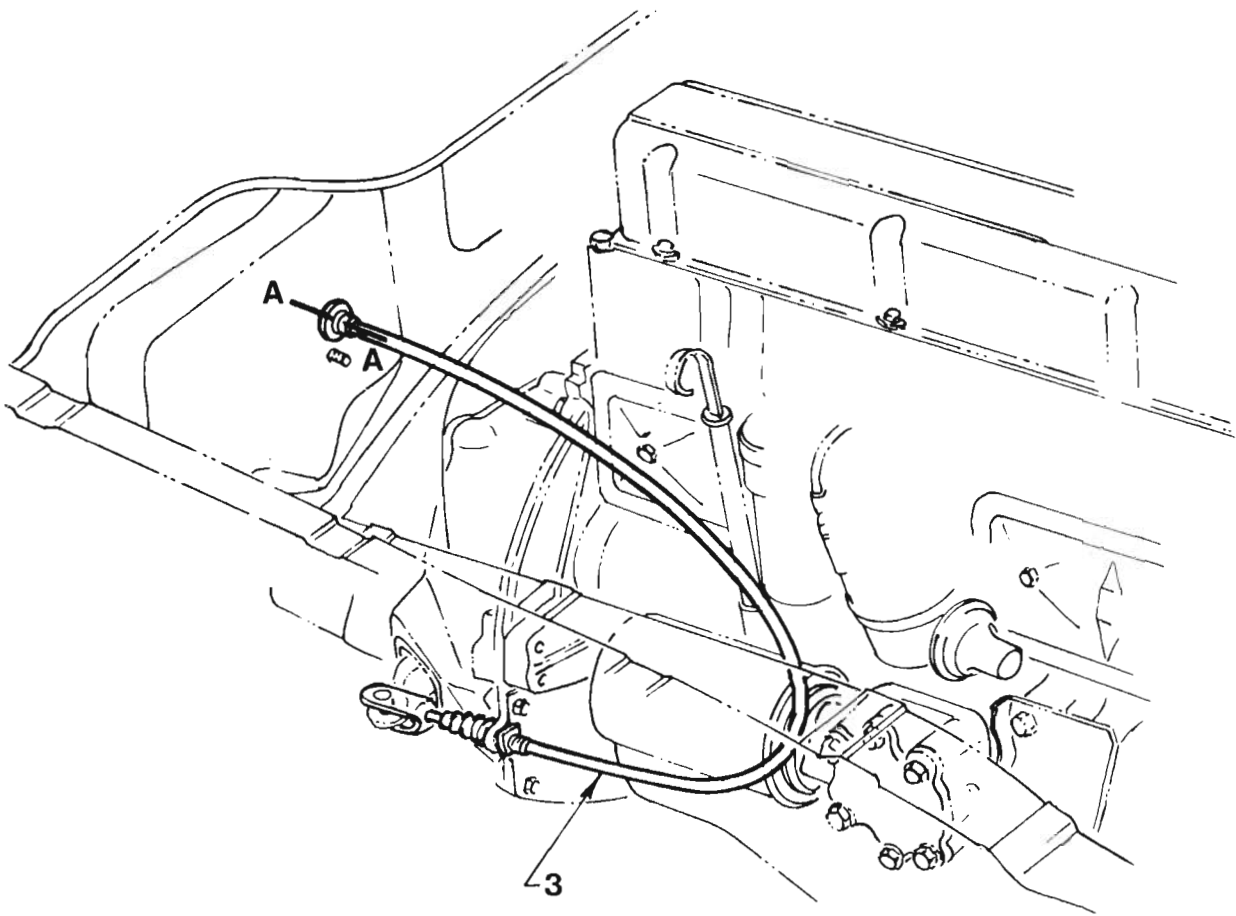
EXCEPT TORQUEMASTER TRANSMISSION

ILLUS. REF. NO.	PART NAME	GROUP
1.	BUSH - Clutch pedal .....	0.831
2.	NUT - Clutch pedal bolt .....	0.837
3.	BUMPER - Clutch pedal .....	0.830
4.	ECCENTRIC ASSEMBLY - Bumper .....	0.830
5.	BOLT - Pedal retaining .....	0.837
6.	PAD - Clutch pedal .....	0.830
7.	PEDAL ASSEMBLY - Clutch .....	0.830
8.	SPRING - Pedal return .....	0.844
9.	SPACER - Pedal pivot .....	0.831

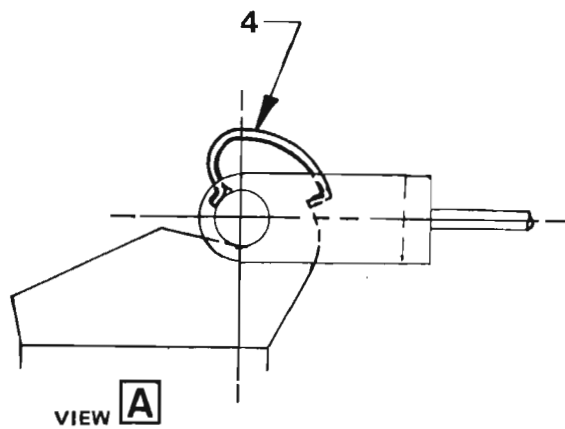


**CLUTCH CONTROL  
OPEL - 4 CYLINDER ENGINE**

ILLUS. REF. NO.	PART NAME	GROUP
1.	CABLE ASSEMBLY - Clutch control .....	0.787
2.	CLIP - Cable to master cylinder .....	0.787
3.	INSULATOR - Cable to dash outer .....	0.787
4.	WASHER - Cable thrust .....	0.787
5.	CIRCLIP - Insulator retainer .....	0.787
6.	GROMMET - Cable to fork .....	0.787
7.	SPRING - Cable to side member .....	0.787



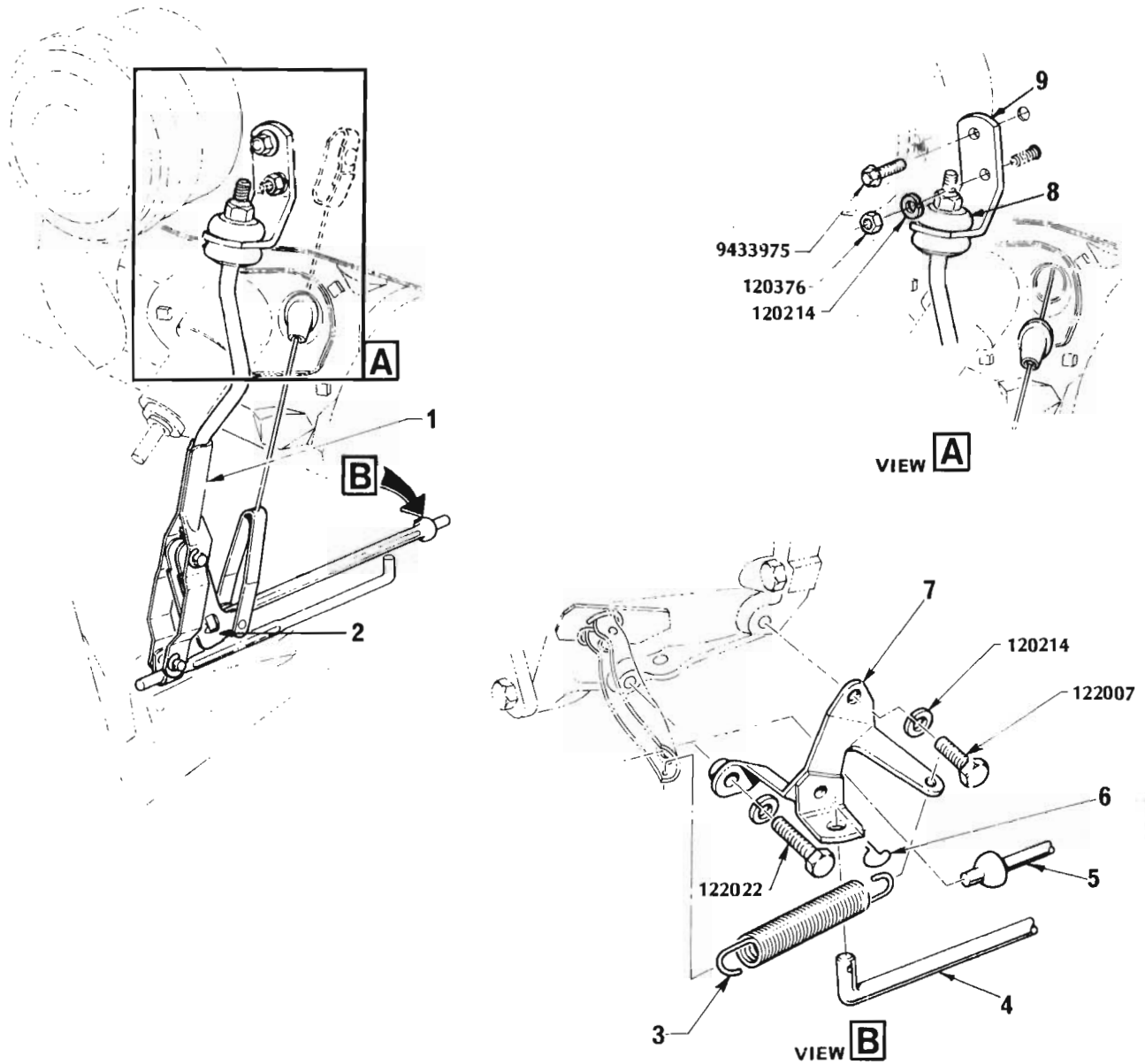
SECTION A-A



VIEW A

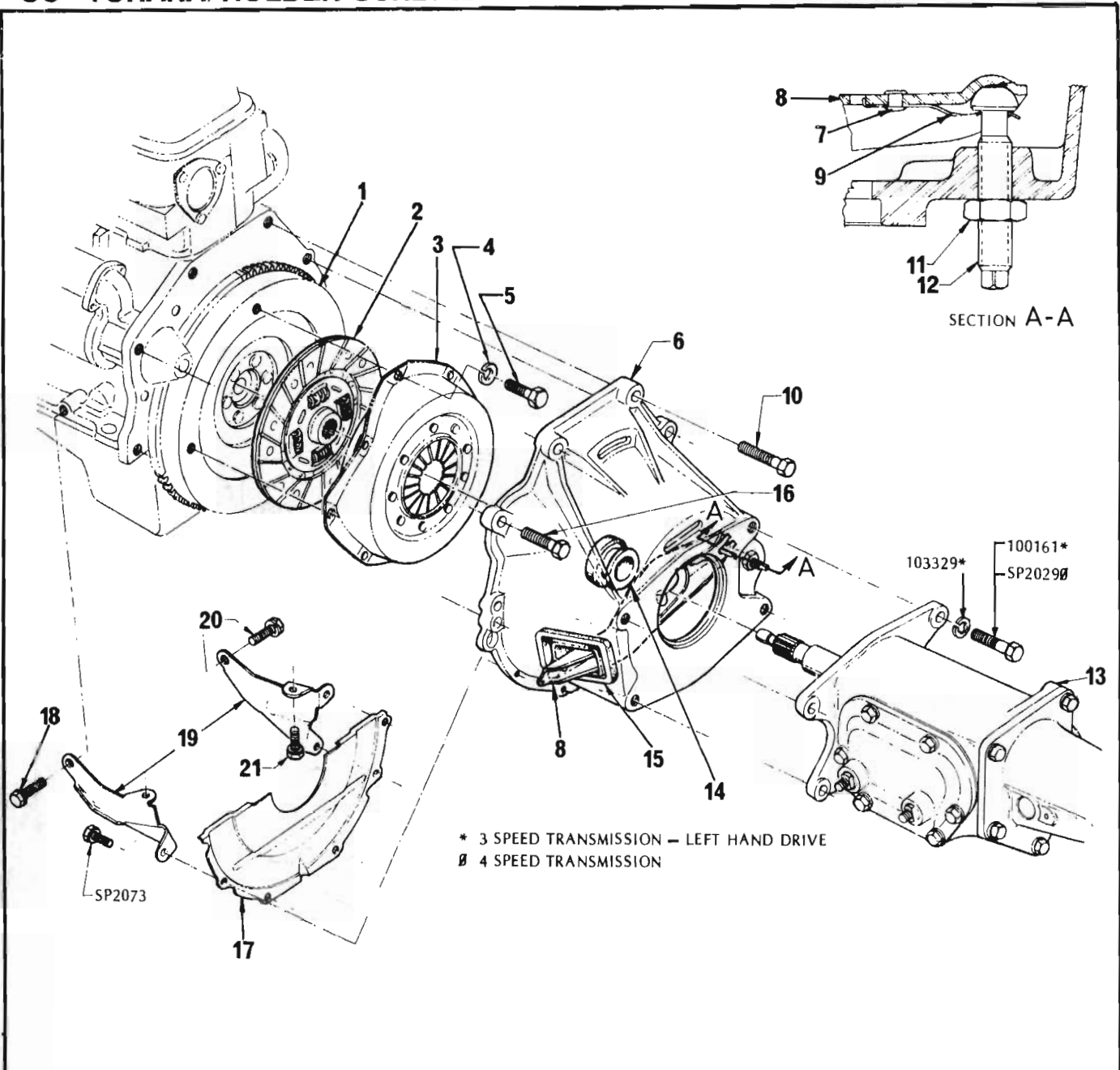
CLUTCH CONTROL  
TORQUEMASTER TRANSMISSION  
6 CYLINDER ENGINE

ILLUS. REF. NO.	PART NAME	GROUP
1.	INSULATOR - Cable to dash outer .....	0.787
2.	CIRCLIP - Insulator retainer .....	0.787
3.	CABLE ASSEMBLY .....	0.787
4.	CLIP - Clutch lever brace .....	0.852



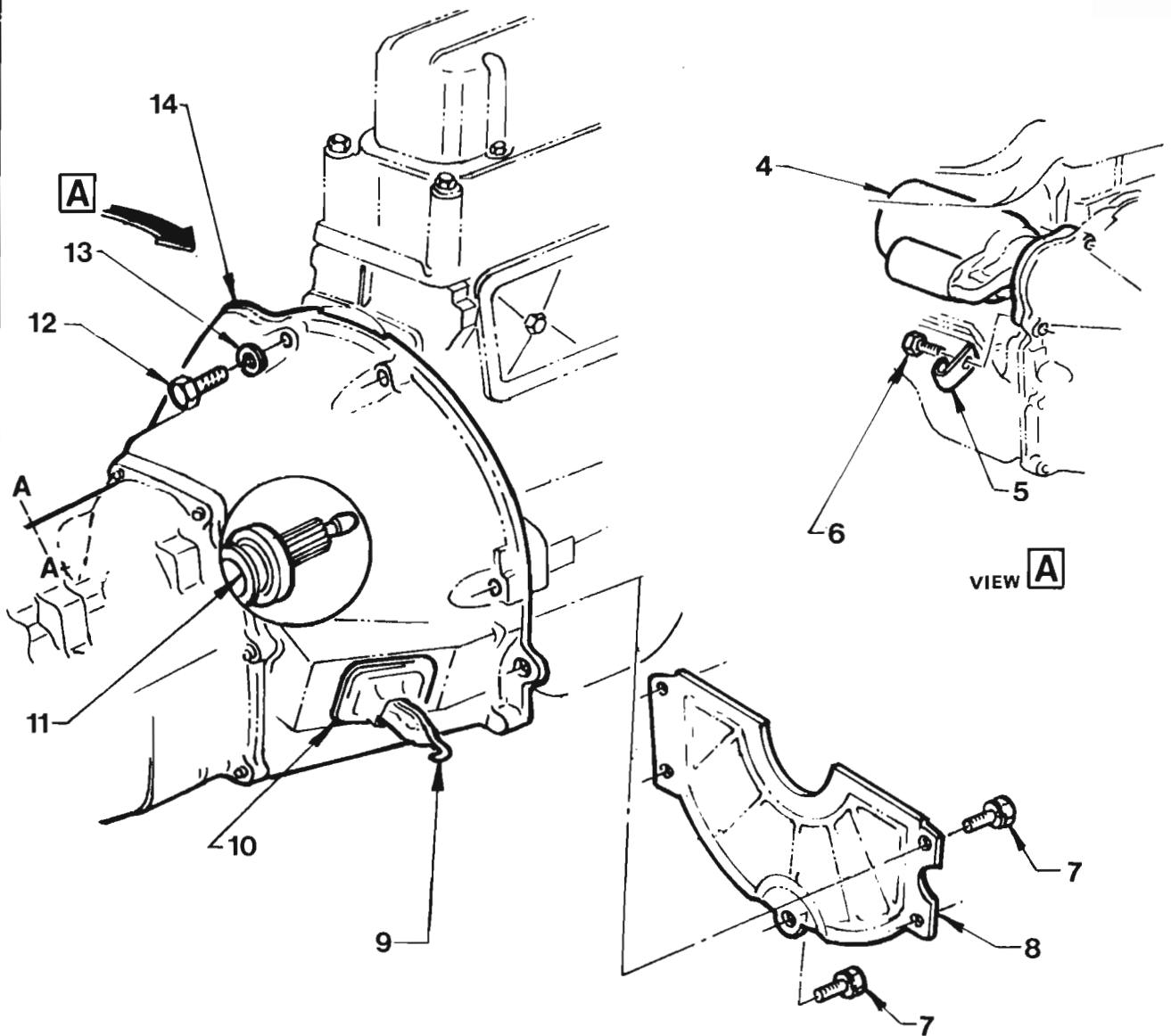
**CLUTCH CONTROL  
EXC. TORQUEMASTER TRANSMISSION  
6 CYLINDER ENGINE**

ILLUS. REF. NO.	PART NAME	GROUP
1.	LEVER & STRUT ASSEMBLY – Relay .....	0.852
2.	LEVER & PIN ASSEMBLY – Relay .....	0.852
3.	SPRING – Lever return .....	0.844
4.	BRACE ASSEMBLY – Lever .....	0.852
5.	ROD – Lever push .....	0.839
6.	CLIP – Lever brace .....	0.852
7.	BRACKET ASSEMBLY – Brace .....	0.852
8.	INSULATOR – Strut .....	0.852
9.	BRACKET – Strut to dash .....	0.852



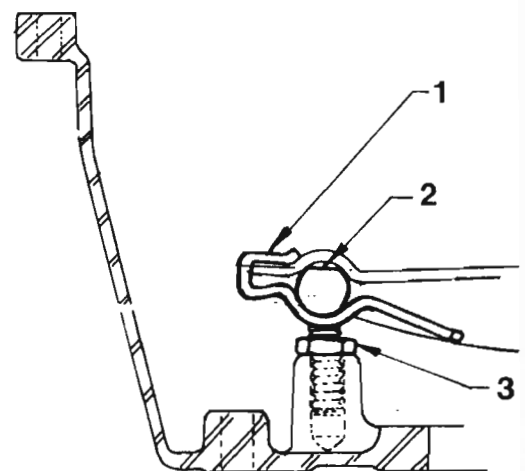
**FLYWHEEL, CLUTCH and HOUSING**  
**OPEL - 4 CYLINDER ENGINE**

ILLUS. REF. NO.	PART NAME	GROUP	ILLUS. REF. NO.	PART NAME	GROUP
1.	FLYWHEEL & RING GEAR ASSY. ....	0.666	12.	STUD - Ball .....	0.796
2.	PLATE ASSEMBLY - Clutch driven .....	0.886	13.	TRANSMISSION ASSY. ....	4.003
3.	COVER & PRESSURE PLATE ASSY. - Clutch	0.861	14.	BEARING ASSY. - Clutch throwout .....	0.799
4.	WASHER - Lock 8.2mm .....	0.870	15.	BOOT - Clutch fork .....	0.797
5.	BOLT - Hex.hd. 8mm x 1.25 x 24mm .....	0.870	16.	BOLT - Hex.hd. 10mm X 1.5 x 25mm .....	0.683
6.	HOUSING - Clutch .....	0.683	17.	COVER - Clutch front .....	0.679
7.	RIVET - Stud spring .....	0.796	18.	BOLT - Hex.hd. 10mm x 1.5 x 18mm .....	0.683
8.	FORK ASSY. - Clutch .....	0.795	19.	BRACKET - Housing to cylinder block .....	0.683
9.	SPRING - Stud .....	0.796	20.	BOLT - Hex.hd. 10mm x 1.5 x 22mm .....	0.683
10.	BOLT - Hex.hd. 10mm x 1.5 x 35mm .....	0.683	21.	BOLT - Hex.hd. 8mm x 1.25 x 18mm .....	0.683
11.	NUT - Stud .....	0.796			

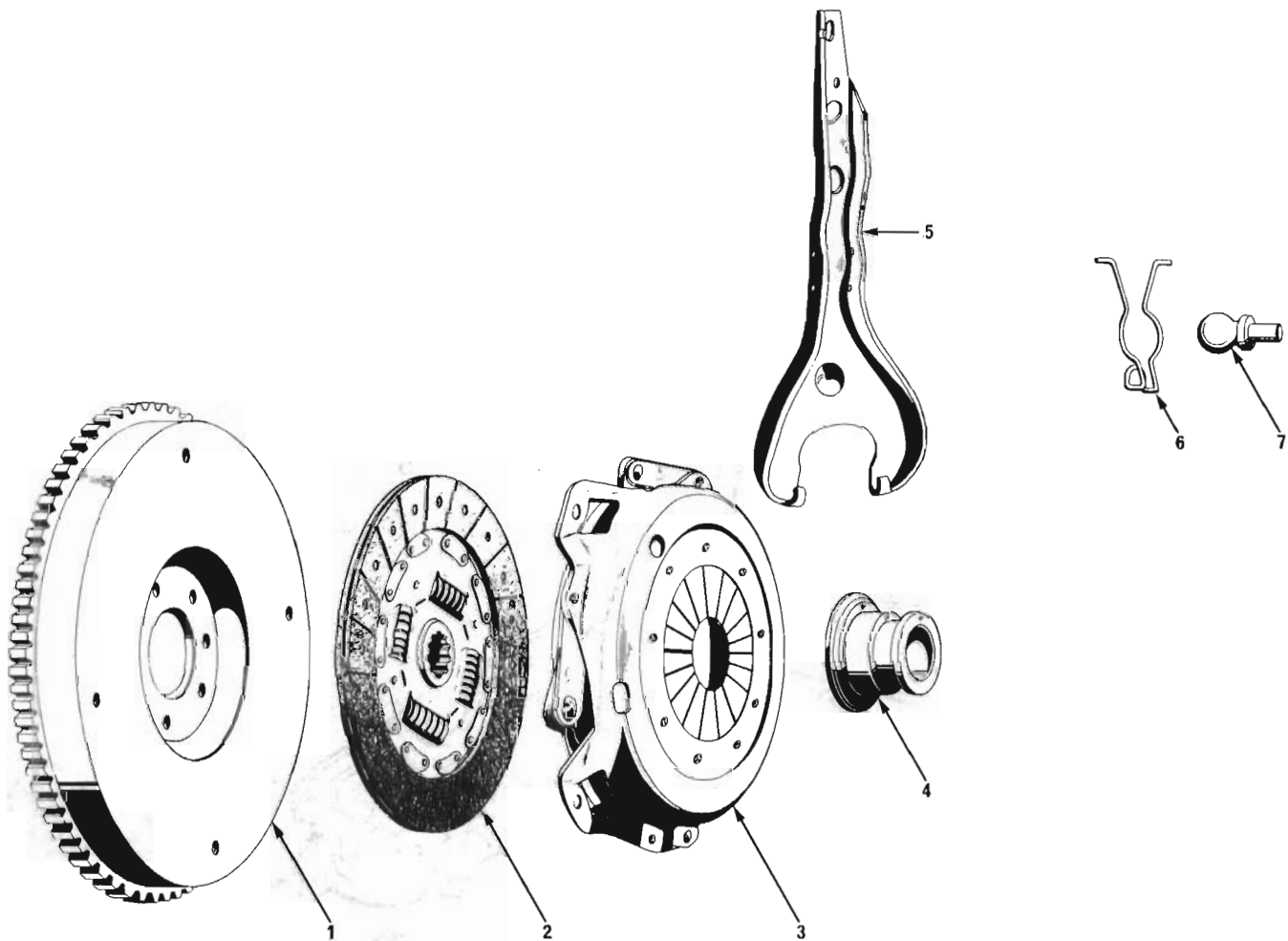


**CLUTCH HOUSING**  
**TORQUEMASTER TRANSMISSION**  
**6 CYLINDER ENGINE**

ILLUS. REF. NO.	PART NAME	GROUP
1.	SPRING - Stud .....	0.796
2.	STUD - Clutch fork ball .....	0.796
3.	NUT - Stud .....	0.796
4.	STARTER MOTOR .....	2.041
5.	CLIP - Engine harness .....	2.555
6.	BOLT - Starter motor to engine .....	2.041
7.	BOLT - Cover to clutch housing .....	0.679
8.	COVER ASSEMBLY - Clutch .....	0.679
9.	FORK ASSEMBLY - Clutch .....	0.795
10.	BOOT - Clutch fork .....	0.797
11.	BEARING - Clutch throwout .....	0.799
12.	BOLT - Clutch housing to cylinder block .....	0.683
13.	WASHER - Clutch housing to cylinder block .....	0.683
14.	HOUSING ASSEMBLY - Clutch .....	0.683



**SECTION A-A**

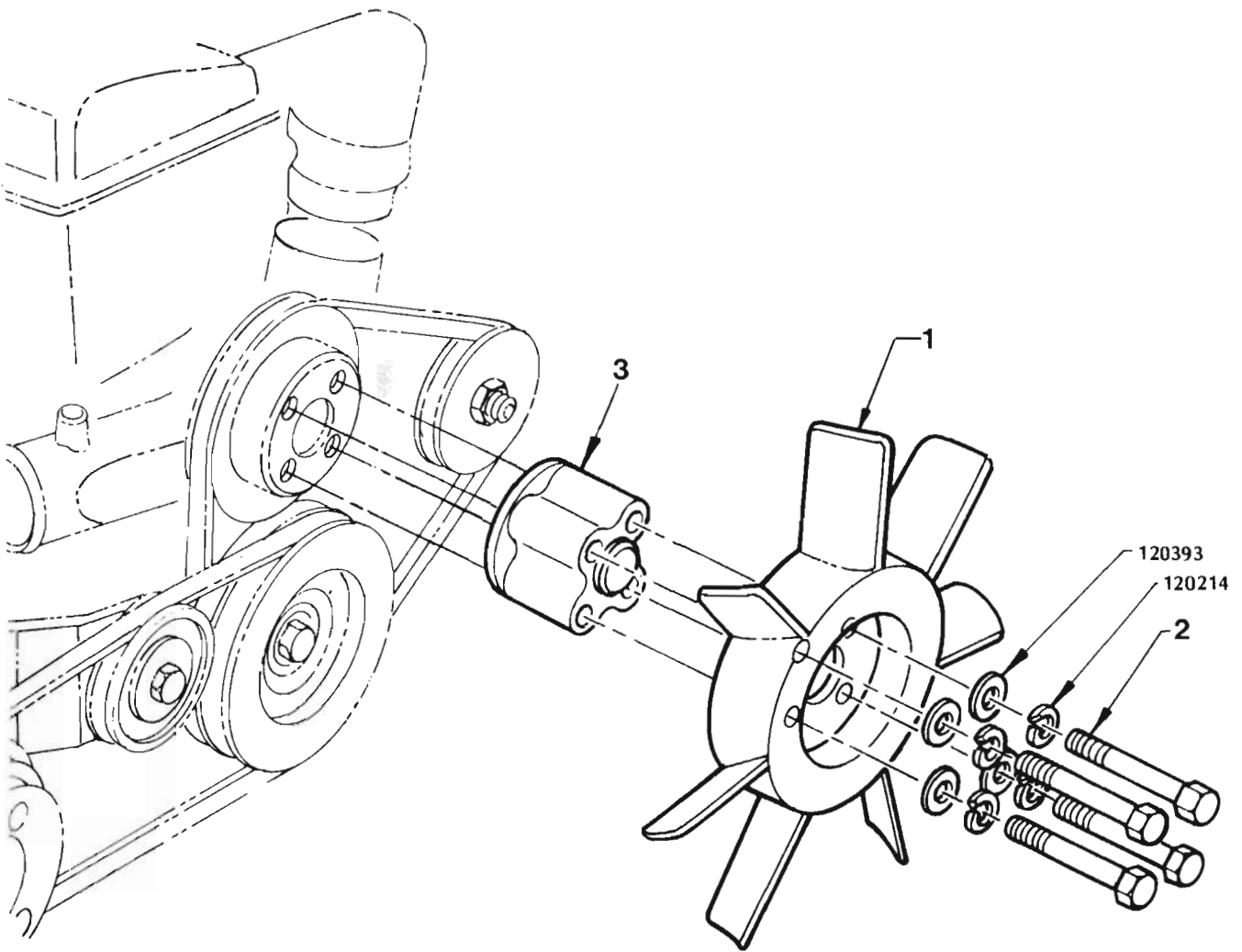


**FLYWHEEL AND CLUTCH  
6 CYLINDER ENGINE**

ILLUS. REF. NO.	PART NAME	GROUP
1.	FLYWHEEL & RING GEAR ASSEMBLY .....	0.666
2.	PLATE ASSEMBLY - Clutch driven .....	0.886
3.	COVER & PRESSURE PLATE ASSEMBLY - Clutch .....	0.861
4.	BEARING ASSEMBLY .....	0.799
5.	LEVER - Clutch .....	0.795
6.	SPRING - Ball stud .....	0.796
7.	STUD - Clutch lever ball .....	0.796

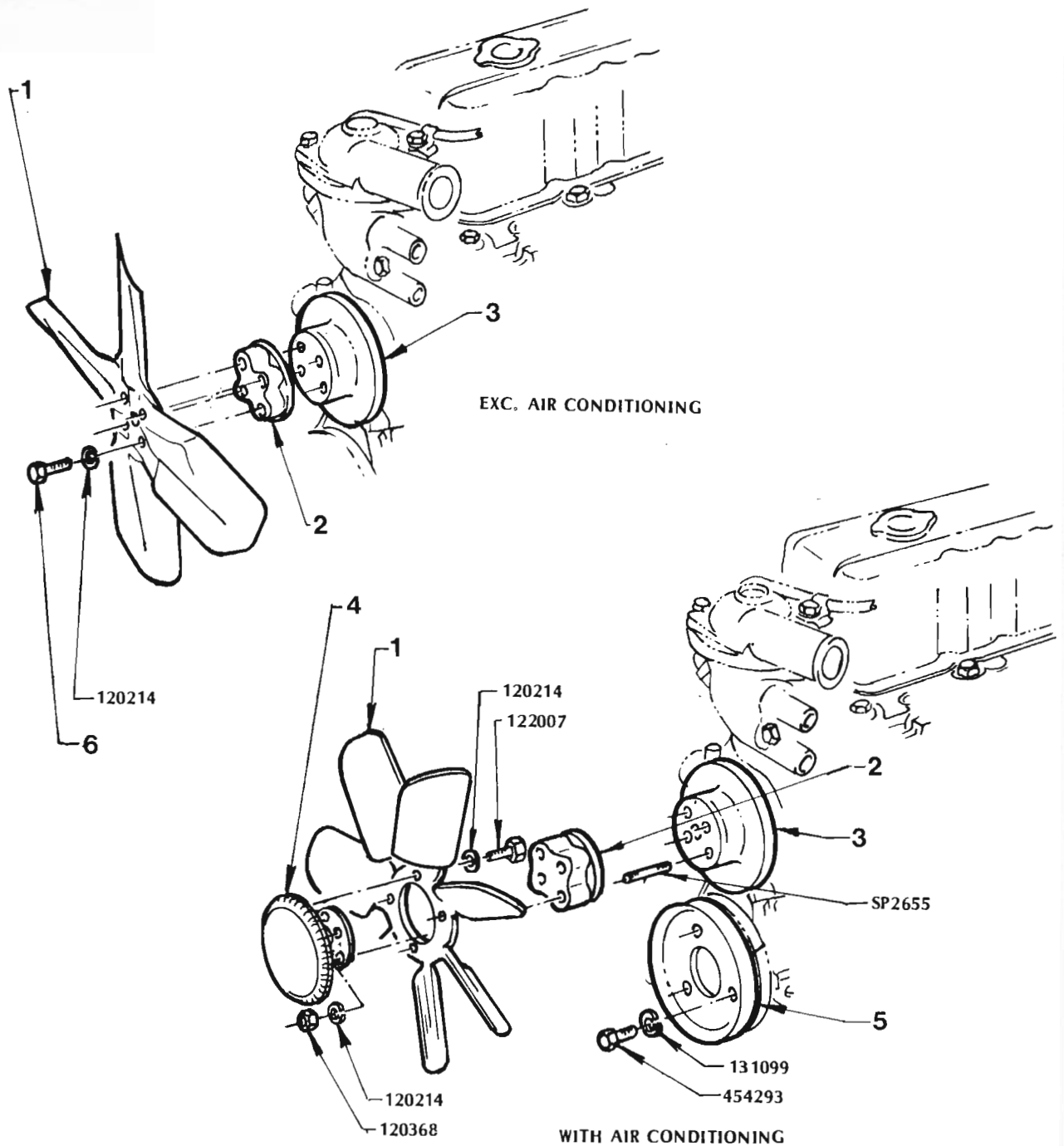
**GROUP 1.000**  
**COOLING – GRILLE**  
**OILING**





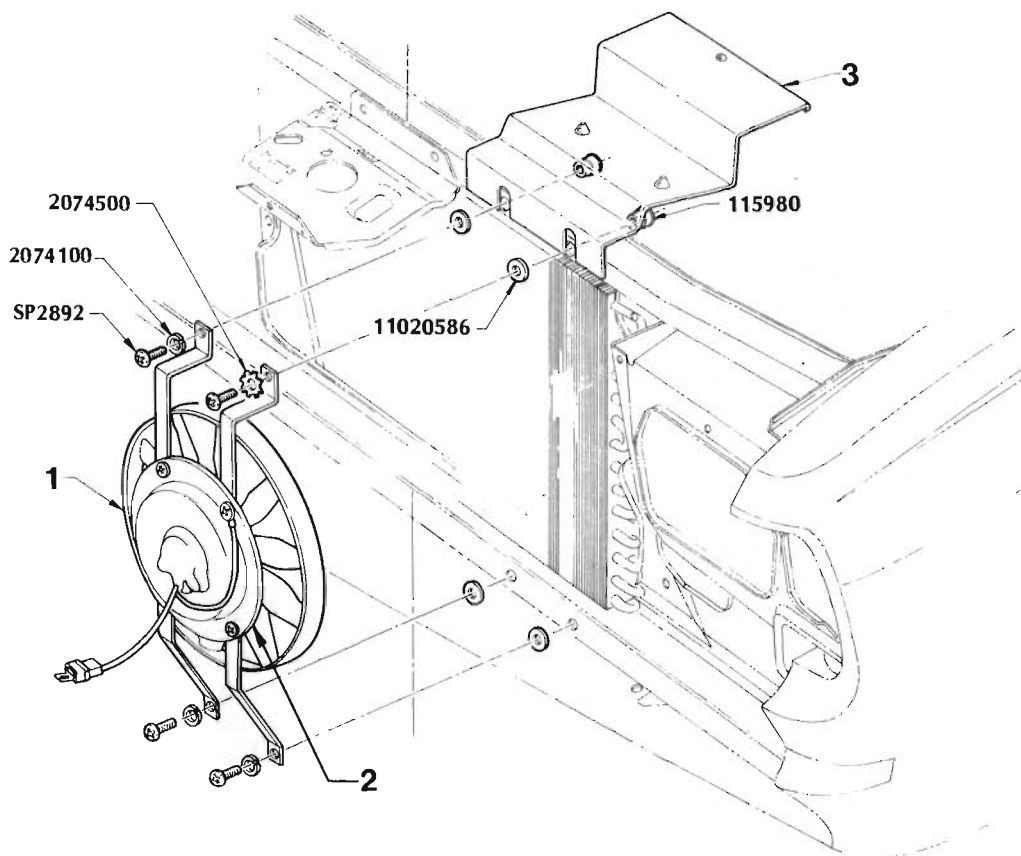
FAN BLADE  
OPEL - 4 CYLINDER ENGINE

ILLUS. REF. NO.	PART NAME	GROUP
1.	BLADE .....	1.064
2.	BOLT - Blade to water pump .....	1.064
3.	SPACER - Fan blade .....	1.064



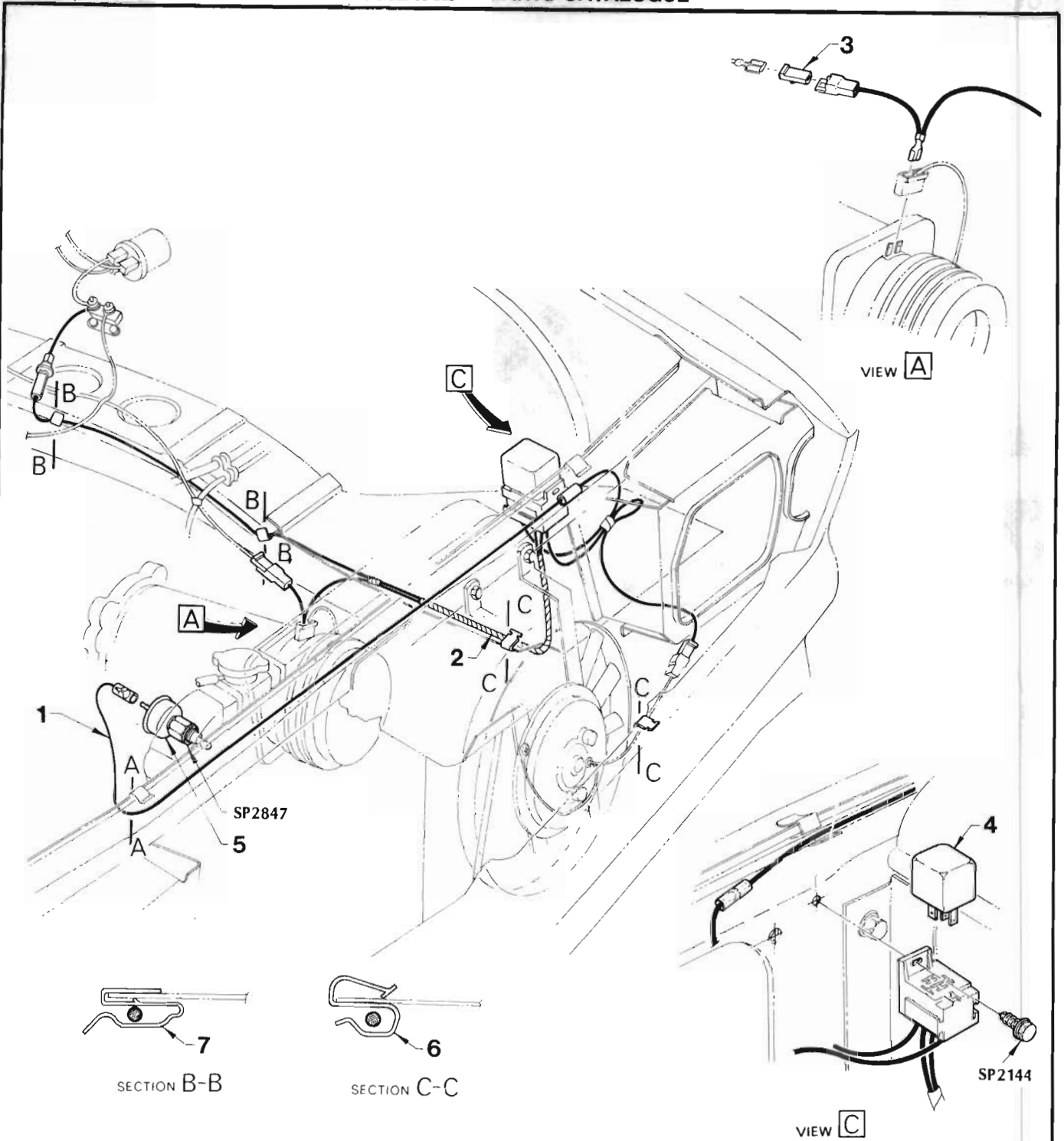
FAN BLADE AND PULLEY  
6 CYLINDER ENGINE

ILLUS. REF. NO.	PART NAME	GROUP
1.	BLADE .....	1.064
2.	SPACER .....	1.064
3.	PULLEY - Water pump and fan .....	1.062
4.	CLUTCH ASSEMBLY .....	1.050
5.	PULLEY ASSEMBLY - Crankshaft .....	0.659
6.	BOLT - Fan and spacer to hub .....	1.064



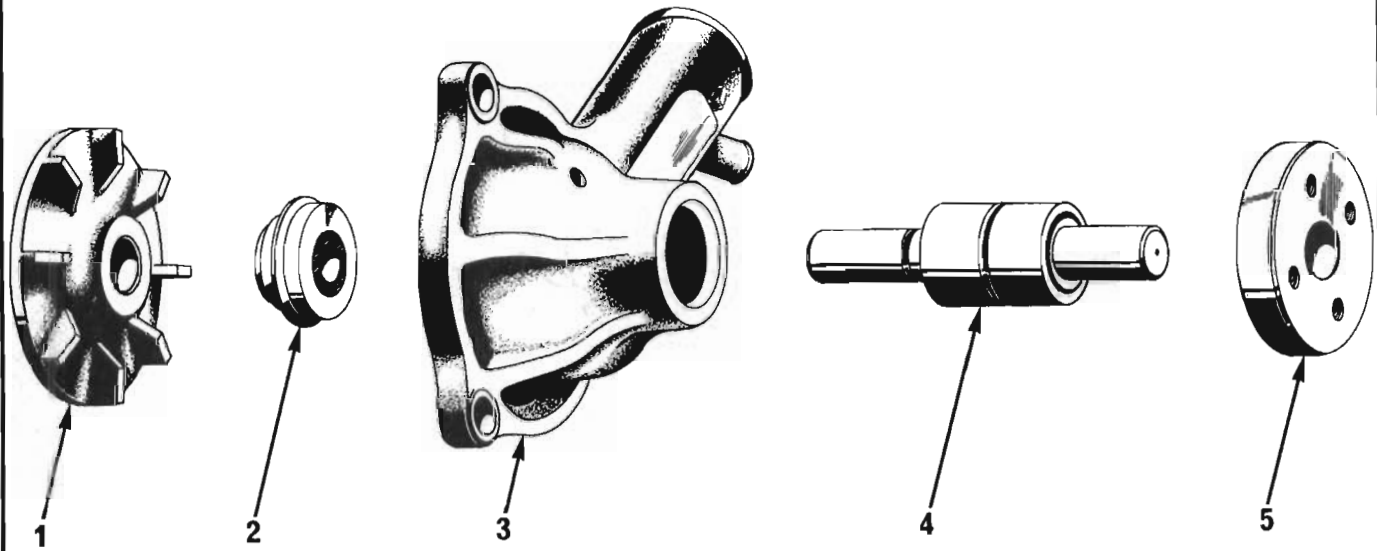
AUXILIARY FAN

ILLUS. REF. NO.	PART NAME	GROUP
1.	BLADE ASSEMBLY .....	1.055
2.	MOTOR ASSEMBLY .....	1.055
3.	GUARD ASSEMBLY - Fan .....	1.270



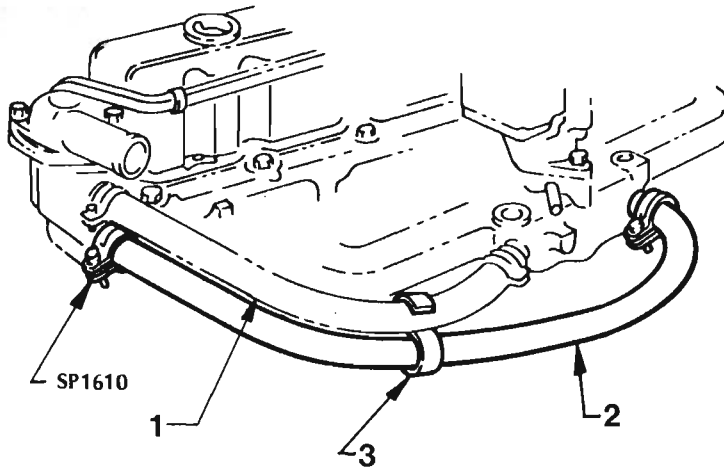
WIRING - AUXILIARY FAN

ILLUS. REF. NO.	PART NAME	GROUP
1.	LEAD ASSEMBLY - Fan harness to thermostat switch ....	1.055
2.	HARNES ASSEMBLY .....	1.055
3.	BODY - Single female connector .....	1.055
4.	RELAY ASSEMBLY .....	1.055
5.	SWITCH .....	1.150
6.	CLIP - Harness to side frame - Front .....	1.055
7.	CLIP - Harness to side frame - Rear .....	1.055

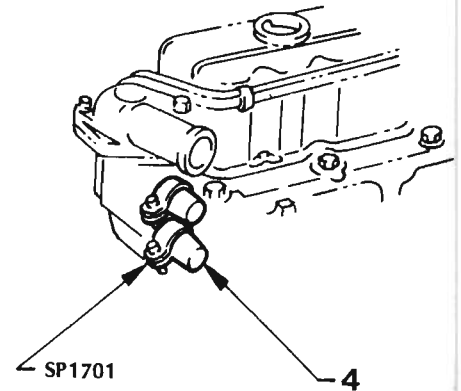


**WATER PUMP  
6 CYLINDER ENGINE**

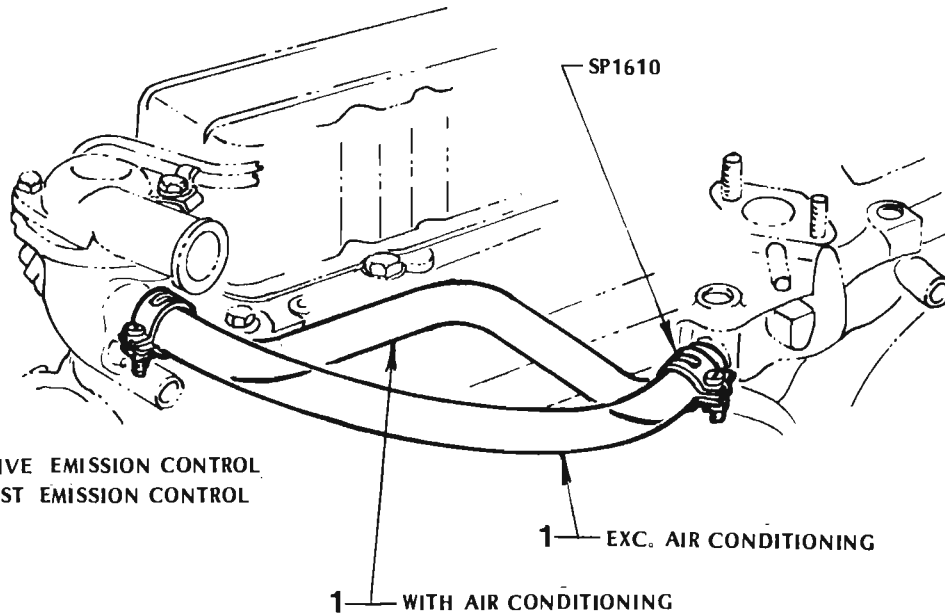
ILLUS. REF. NO.	PART NAME	GROUP
1.	ROTOR — Water pump .....	1.109
2.	SEAL ASSEMBLY — Water pump .....	1.123
3.	BODY — Water pump .....	1.073
4.	SHAFT & BEARING ASSEMBLY .....	1.108
5.	HUB — Water pump and fan pulley .....	1.063



**WITH EVAPORATIVE EMISSION CONTROL  
WITHOUT EXHAUST EMISSION CONTROL**



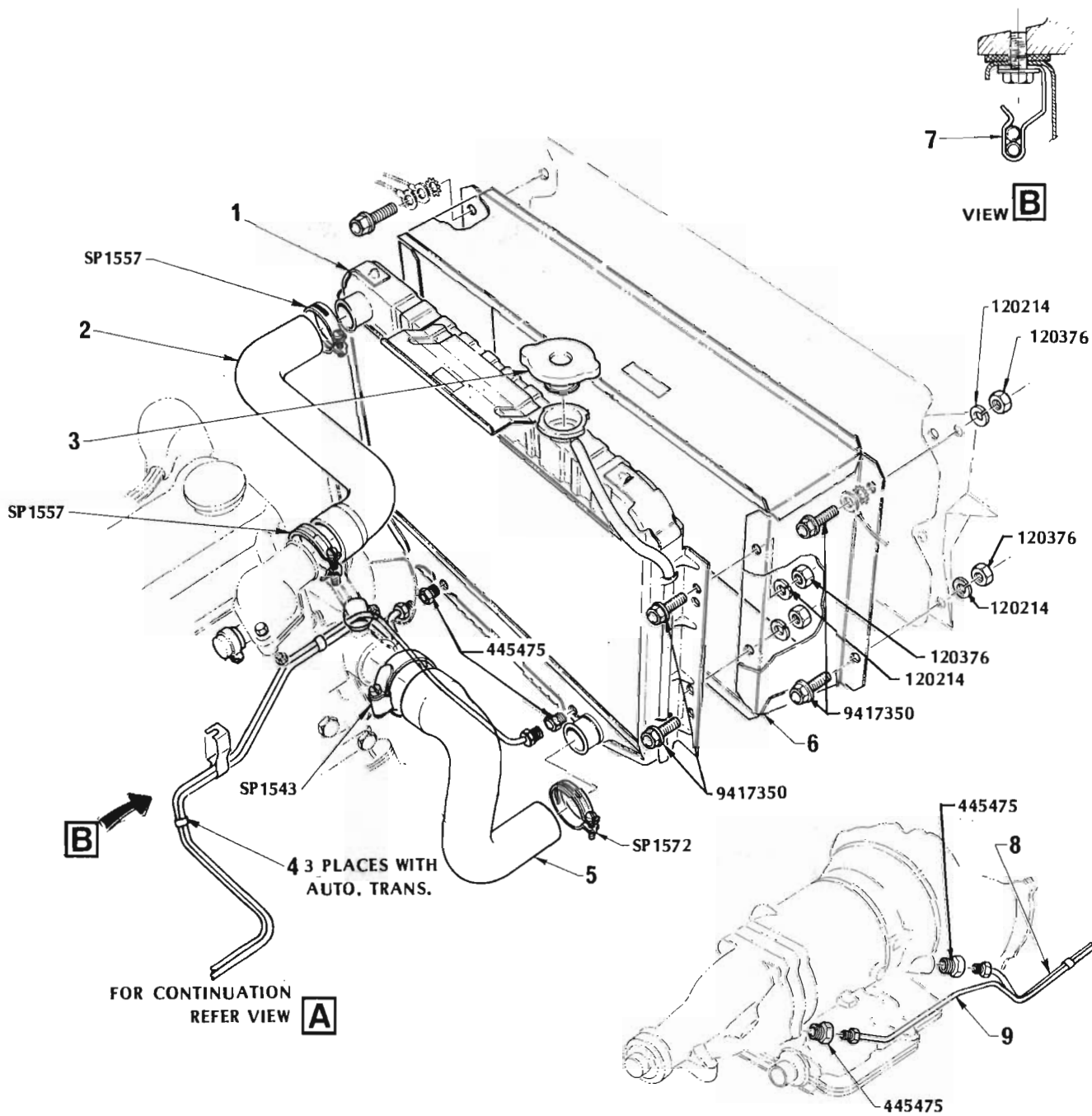
**WITH EVAPORATIVE AND EXHAUST  
EMISSION CONTROL**



**WITH EVAPORATIVE EMISSION CONTROL  
WITHOUT EXHAUST EMISSION CONTROL**

**HOSES – INLET-MANIFOLD  
6 CYLINDER ENGINE**

ILLUS. REF. NO.	PART NAME	GROUP
1.	HOSE – Inlet .....	3.260
2.	HOSE – Outlet .....	3.260
3.	CLIP – Inlet hose to outlet .....	3.260
4.	CAP – Thermostat housing inlet closing .....	1.251

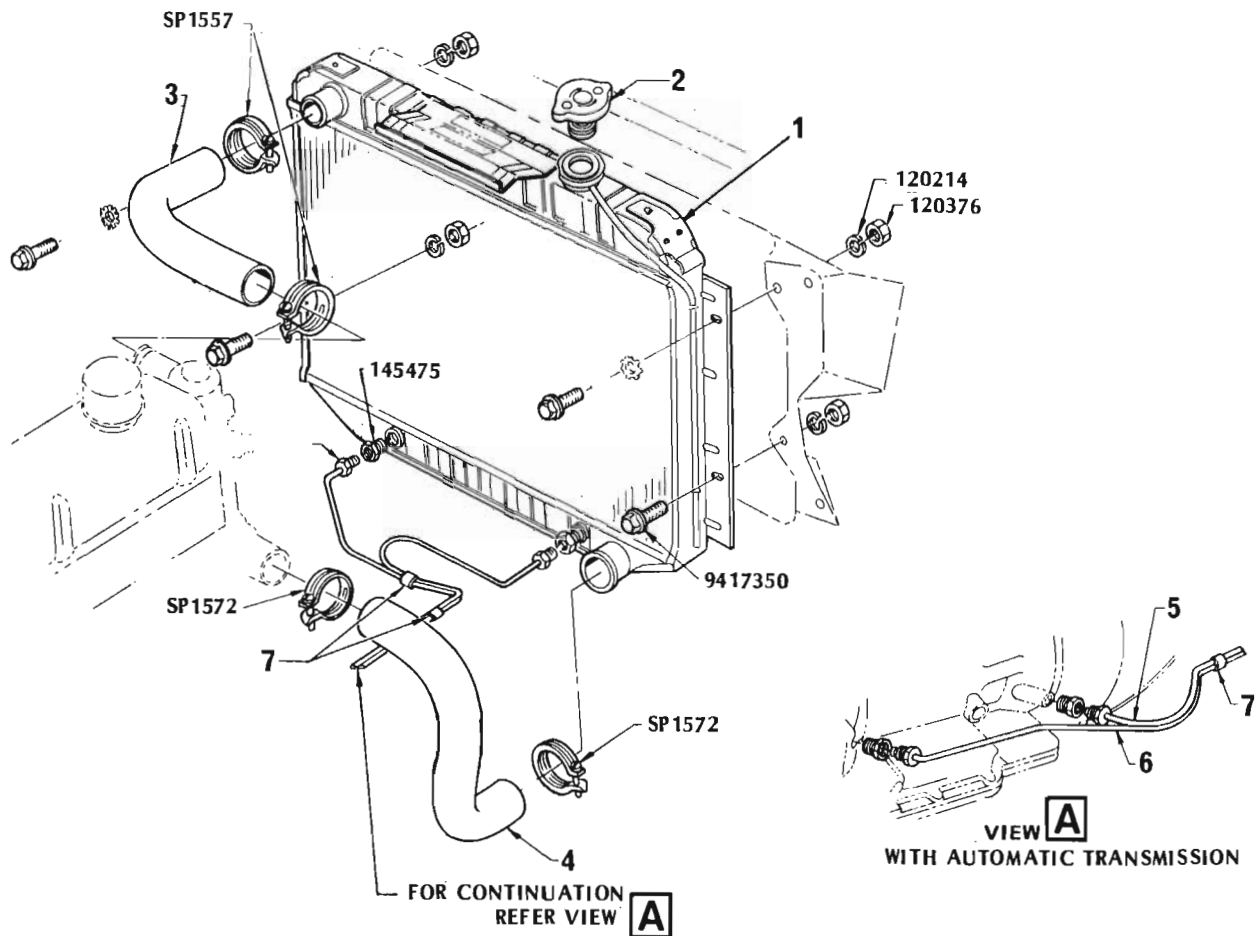


**RADIATOR**  
**OPEL - 4 CYLINDER ENGINE**

**VIEW A**  
**WITH AUTOMATIC TRANSMISSION**

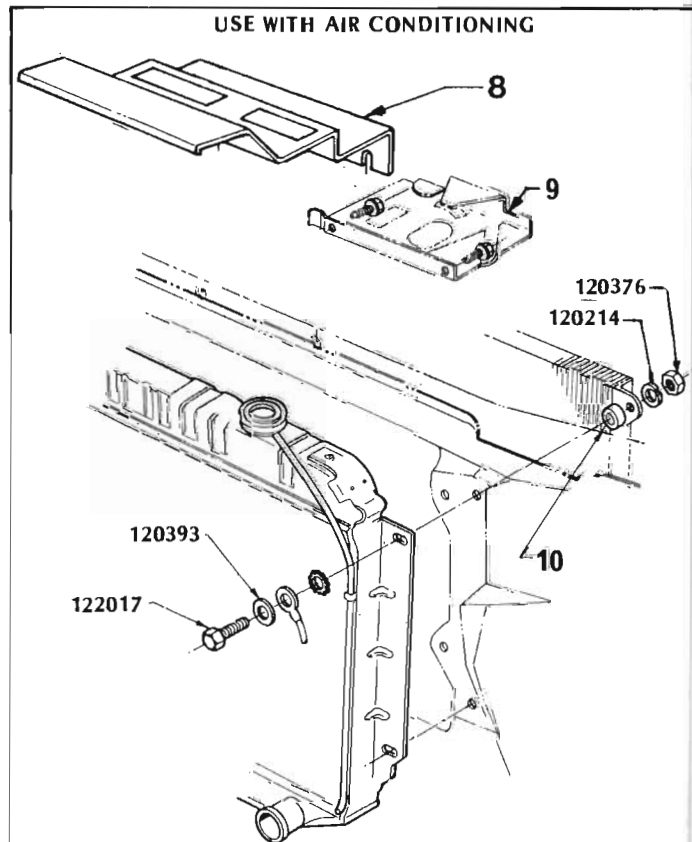
ILLUS. REF. NO.	PART NAME	GROUP
1.	RADIATOR ASSEMBLY .....	1.219
2.	HOSE - Inlet .....	1.159
3.	CAP - Radiator pressure .....	1.203
4.	CLIP - Inlet to outlet pipe .....	4.128
5.	HOSE & SPRING PACKAGE - Outlet .....	1.159
6.	SUPPORT ASSEMBLY - Radiator .....	1.270
7.	CLIP - Pipes to engine .....	4.128
8.	PIPE ASSEMBLY - Oil cooler inlet .....	4.128
9.	PIPE ASSEMBLY - Oil cooler outlet .....	4.128

**"UC" TORANA/HOLDEN SUNBIRD PARTS CATALOGUE**

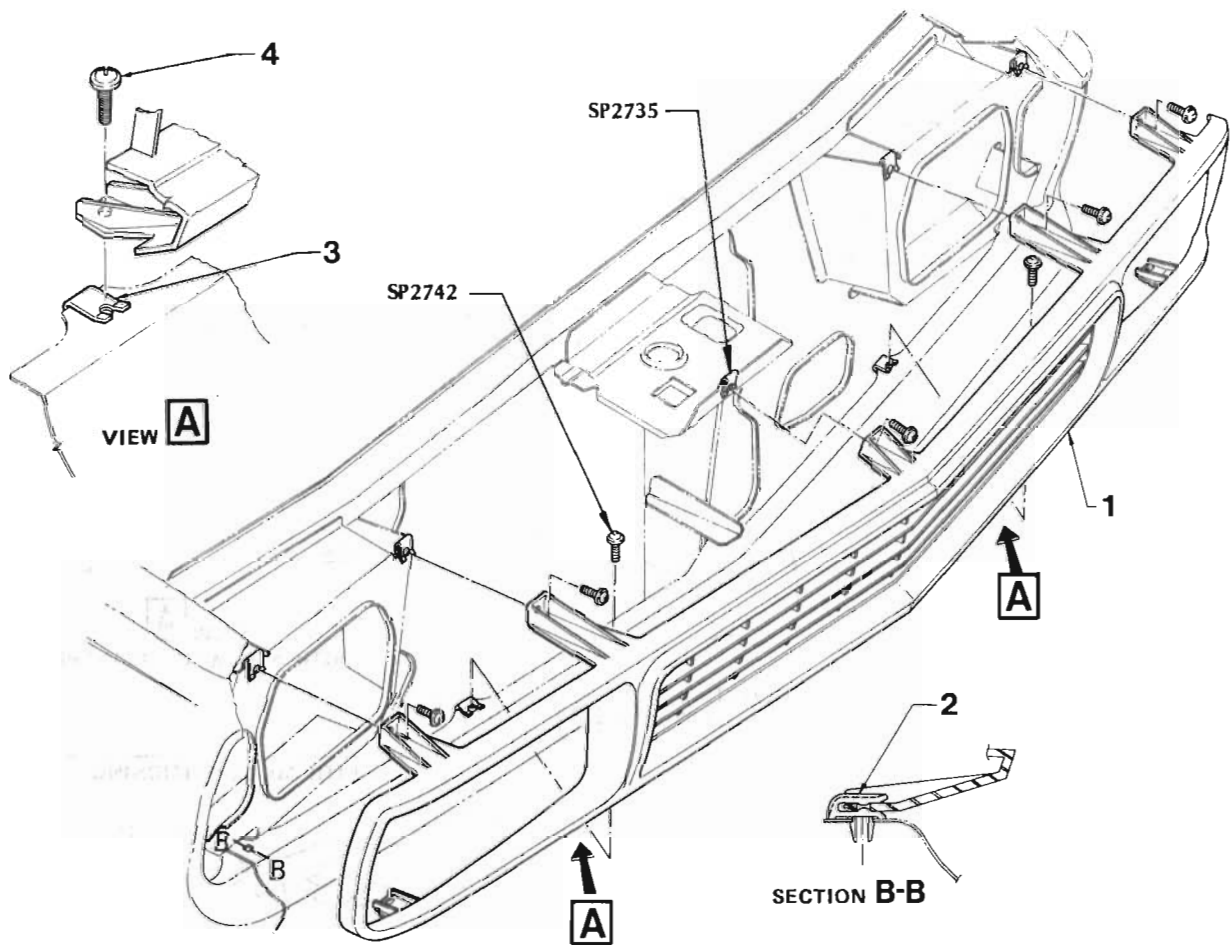


**RADIATOR  
6 CYLINDER ENGINE**

ILLUS. REF. NO.	PART NO.	GROUP
1.	RADIATOR ASSY. ....	1.219
2.	CAP - Radiator pressure .....	1.203
3.	HOSE - Inlet .....	1.159
4.	HOSE & SPRING - Outlet .....	1.159
5.	PIPE ASSY. - Oil cooler inlet .....	4.128
6.	PIPE ASSY. - Oil cooler outlet .....	4.128
7.	CLIP - Inlet pipe to outlet pipe .....	4.128
8.	GUARD ASSY. - Fan .....	1.270
9.	LOCK & SUPPORT ASSY. - Hood .....	8.079
10.	SPACER - Condenser to radiator support ..	9.190

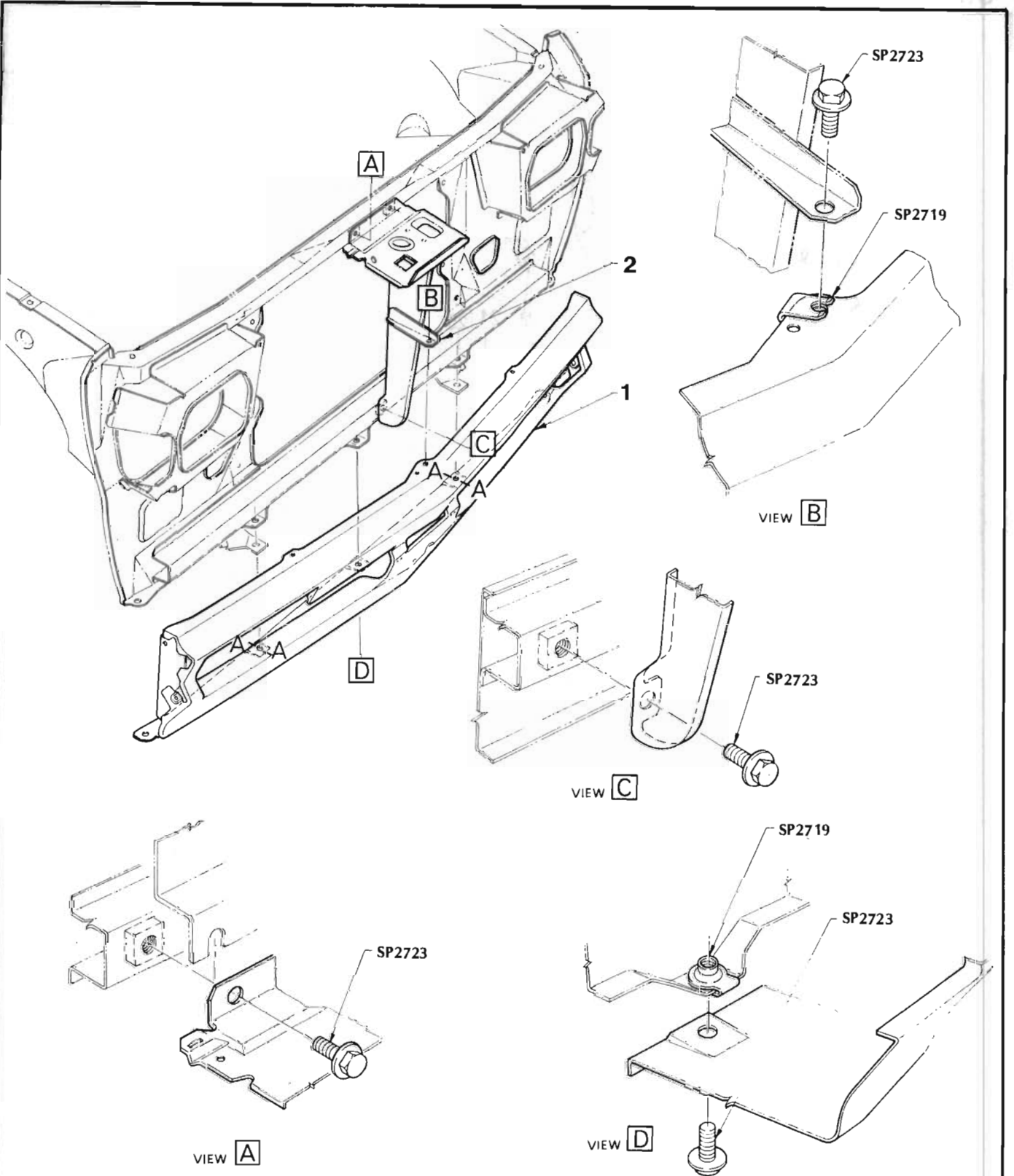






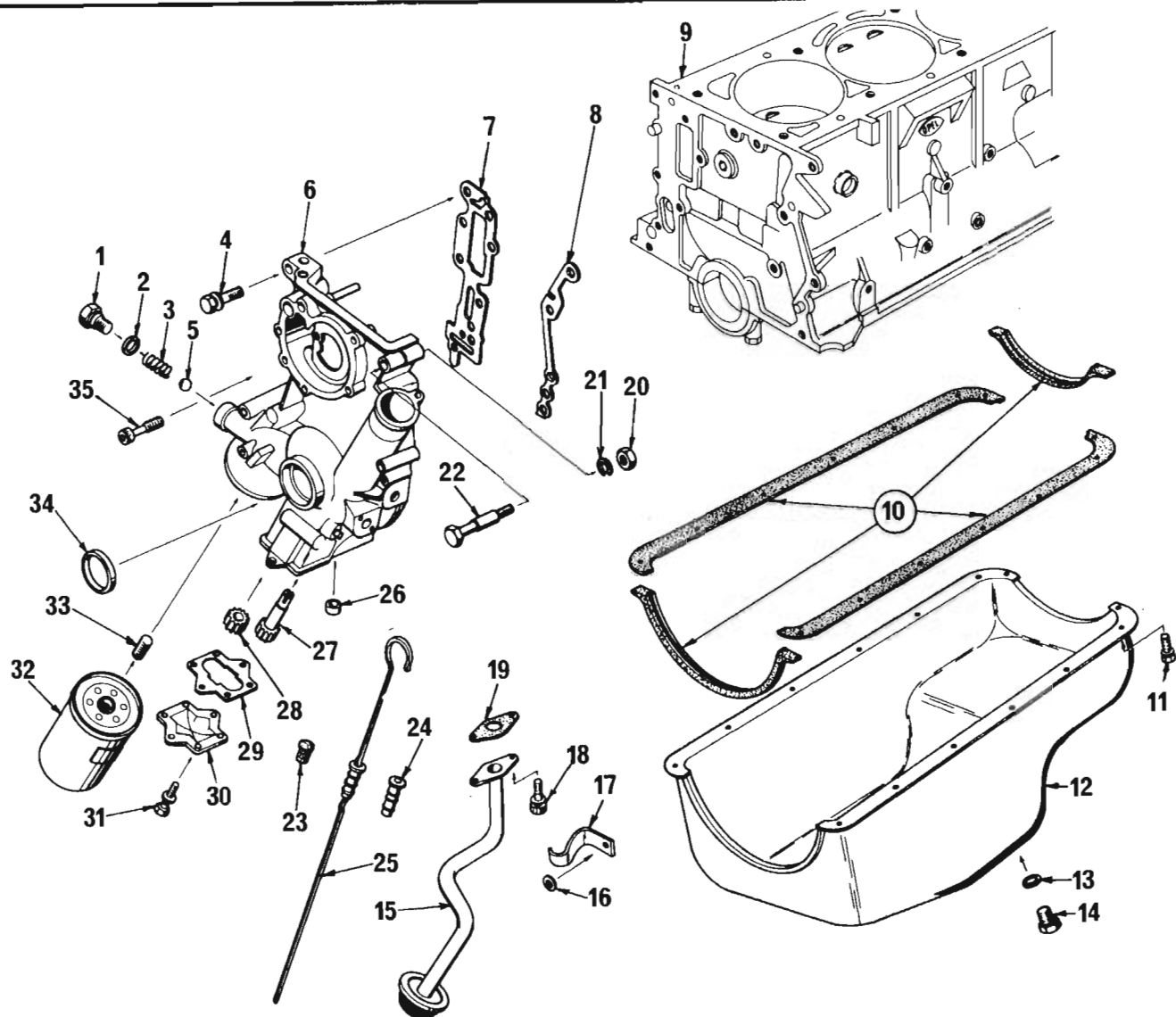
GRILLE

ILLUS. REF. NO.	PART NAME	GROUP
1.	GRILLE .....	1.266
2.	CLIP - Radiator grille .....	1.266
3.	NUT - Radiator grille .....	1.266
4.	SCREW - Radiator grille .....	1.266



FRONT VALANCE, LOCK AND SUPPORT

ILLUS. REF. NO.	PART NAME	GROUP
1.	PANEL .....	1.263
2.	LOCK & SUPPORT ASSEMBLY - Hood .....	8.079

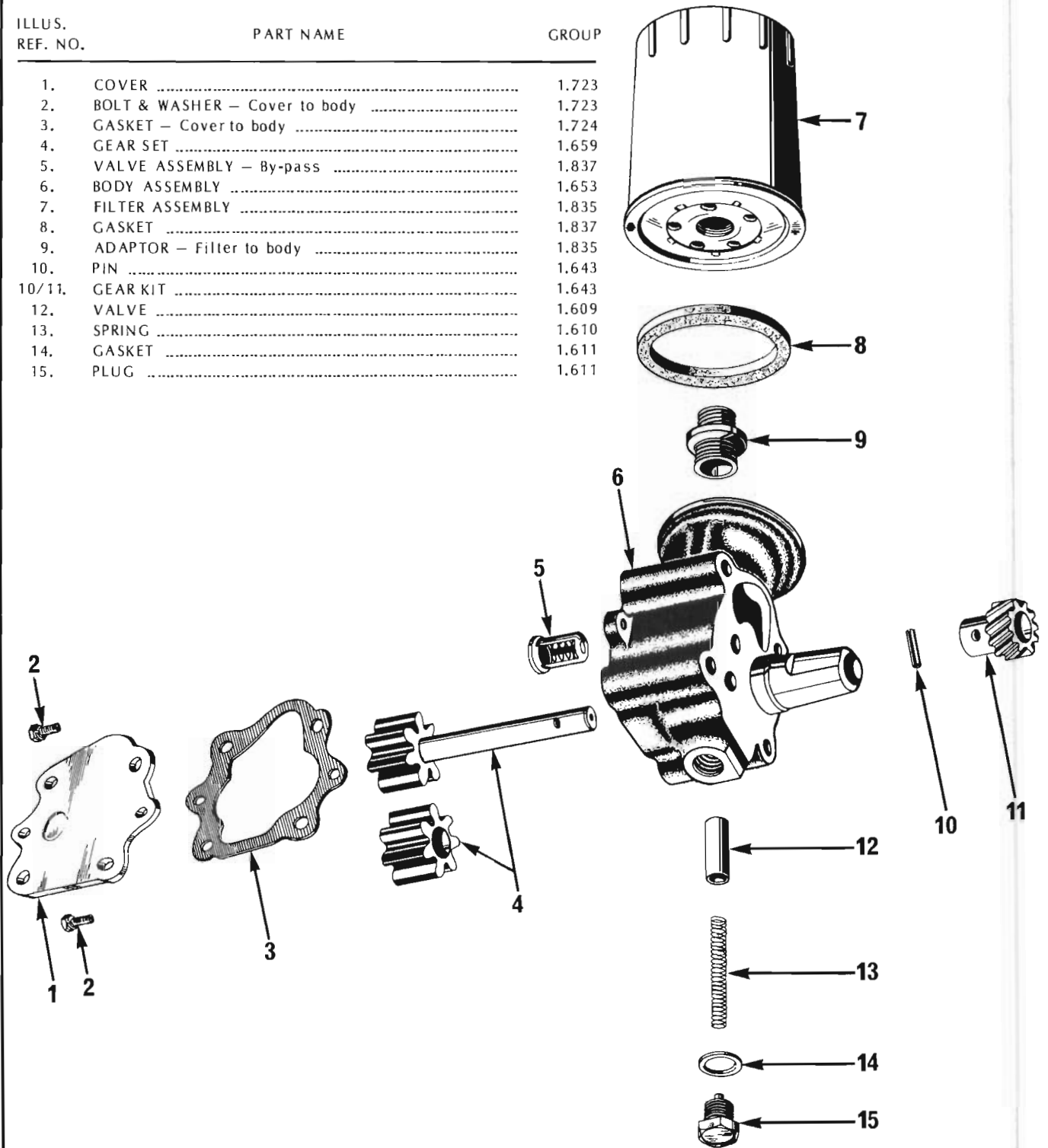


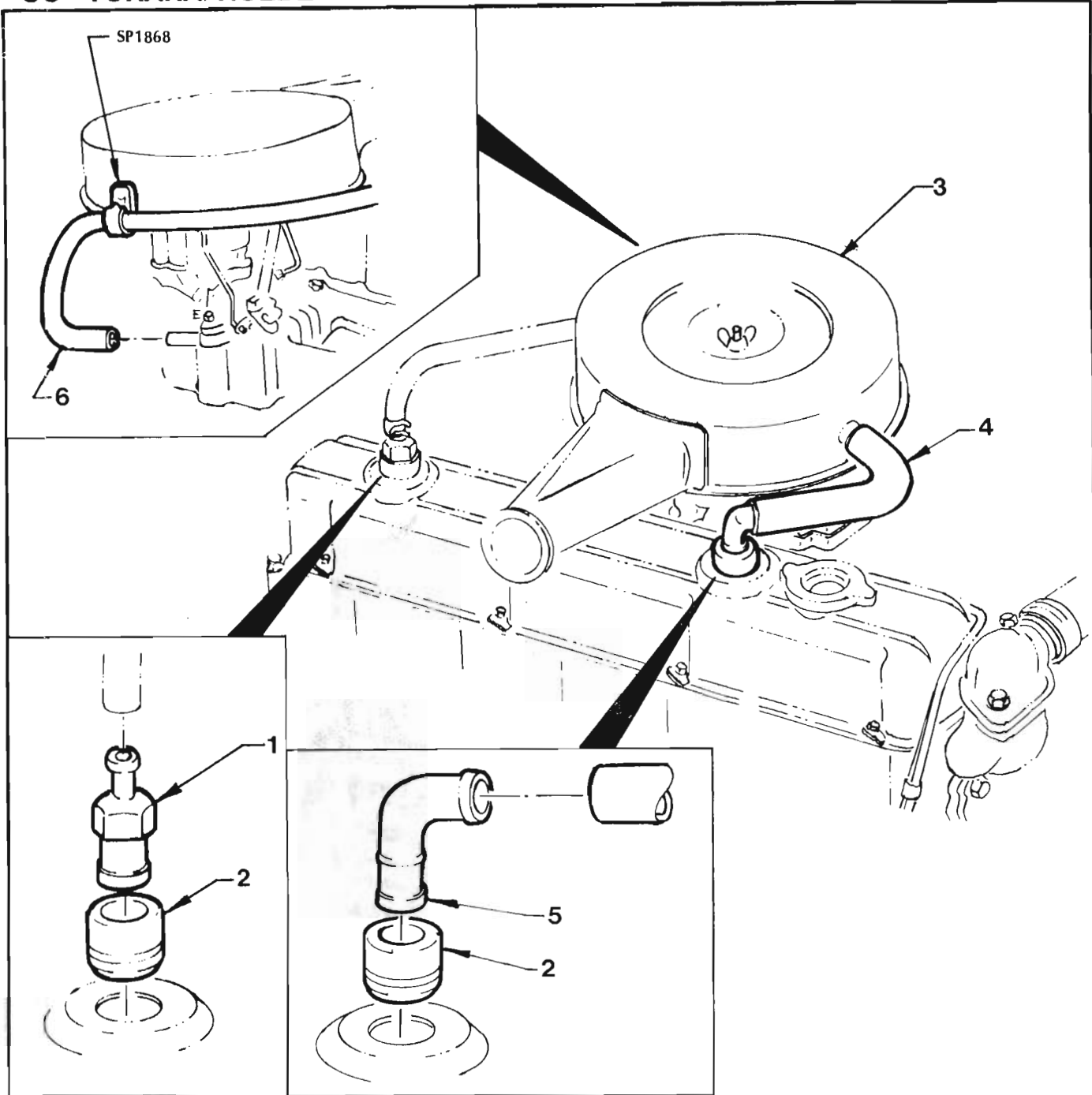
OIL PUMP & PAN  
OPEL - 4 CYLINDER ENGINE

ILLUS. REF. NO.	PART NAME	GROUP	ILLUS. REF. NO.	PART NAME	GROUP
1.	PLUG - Oil pressure regulator spring .....	1.611	19.	GASKET - Suction tube flange .....	1.656
2.	GASKET - Plug, 6mm x 22mm .....	1.611	20.	NUT - Hex. 7mm x 1 mm .....	0.206
3.	SPRING - Oil pressure regulator spring ....	1.610	21.	WASHER - Spring lock, 7.1mm .....	0.206
4.	BOLT - Hex. hd. ....	0.206	22.	SCREW - Cover to cylinder block .....	0.206
5.	BALL - Valve .....	1.609	23.	GUIDE - Oil level rod .....	1.516
6.	COVER ASSY. - Crankcase front end .....	0.206	24.	PLUG - Oil level rod .....	1.516
7.	GASKET - Crankcase front end cover (RH)..	0.207	25.	ROD - Oil level indicator .....	1.516
8.	GASKET - Crankcase front end cover (LH).	0.207	26.	SEAL - 17.2mm x 12mm x 5.5mm .....	0.209
9.	CYLINDER BLOCK ASSY. ....	0.033	27.	GEAR & SHAFT ASSY. ....	1.659
10.	GASKET SET - Oil pan .....	1.429	28.	GEAR - Driven .....	1.659
11.	SCREW & LOCK WASHER .....	1.426	29.	GASKET - Oil pump cover .....	1.724
12.	PAN ASSEMBLY - Oil .....	1.426	30.	COVER - Oil pump .....	1.723
13.	GASKET - Drain plug .....	1.453	31.	SCREW - Hex.hd. with spring washer .....	1.723
14.	PLUG - Oil pan drain .....	1.453	32.	ELEMENT - Oil filter .....	1.835
15.	TUBE & SCREEN ASSY. ....	1.656	33.	CONNECTOR - Element .....	1.835
16.	WASHER - Spring, 13.2mm .....	1.656	34.	SEAL - 60mm x 45mm x 10mm .....	0.209
17.	BRACKET - Tube .....	1.656	35.	SCREW - Hex.socket set, 8mm x 1.25mm x 11mm .....	0.206
18.	BOLT - Hex.hd. with spring washer .....	1.656			

**OIL PUMP AND FILTER  
6 CYLINDER ENGINE**

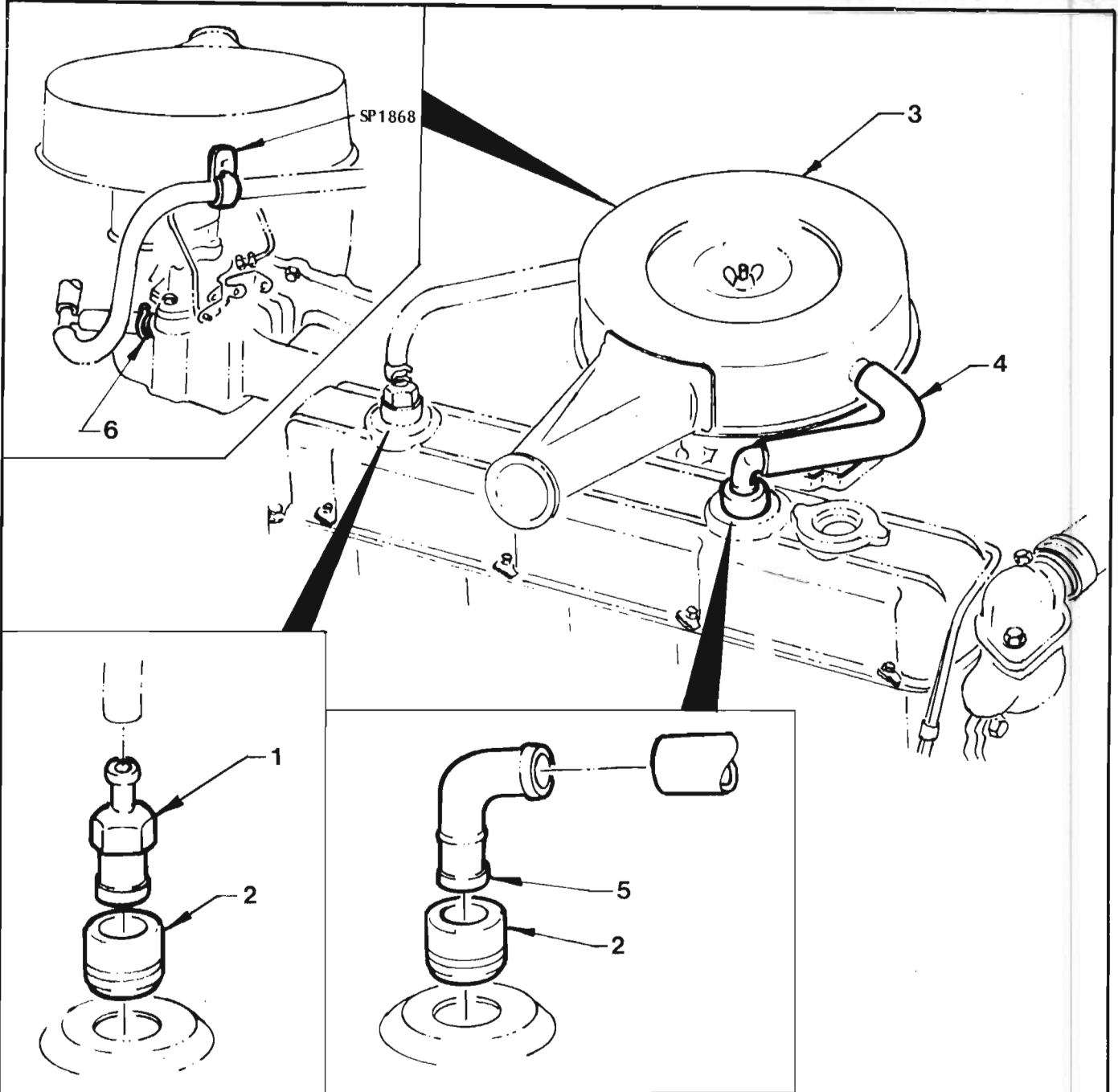
ILLUS. REF. NO.	PART NAME	GROUP
1.	COVER .....	1.723
2.	BOLT & WASHER – Cover to body .....	1.723
3.	GASKET – Cover to body .....	1.724
4.	GEAR SET .....	1.659
5.	VALVE ASSEMBLY – By-pass .....	1.837
6.	BODY ASSEMBLY .....	1.653
7.	FILTER ASSEMBLY .....	1.835
8.	GASKET .....	1.837
9.	ADAPTOR – Filter to body .....	1.835
10.	PIN .....	1.643
10/11.	GEAR KIT .....	1.643
12.	VALVE .....	1.609
13.	SPRING .....	1.610
14.	GASKET .....	1.611
15.	PLUG .....	1.611





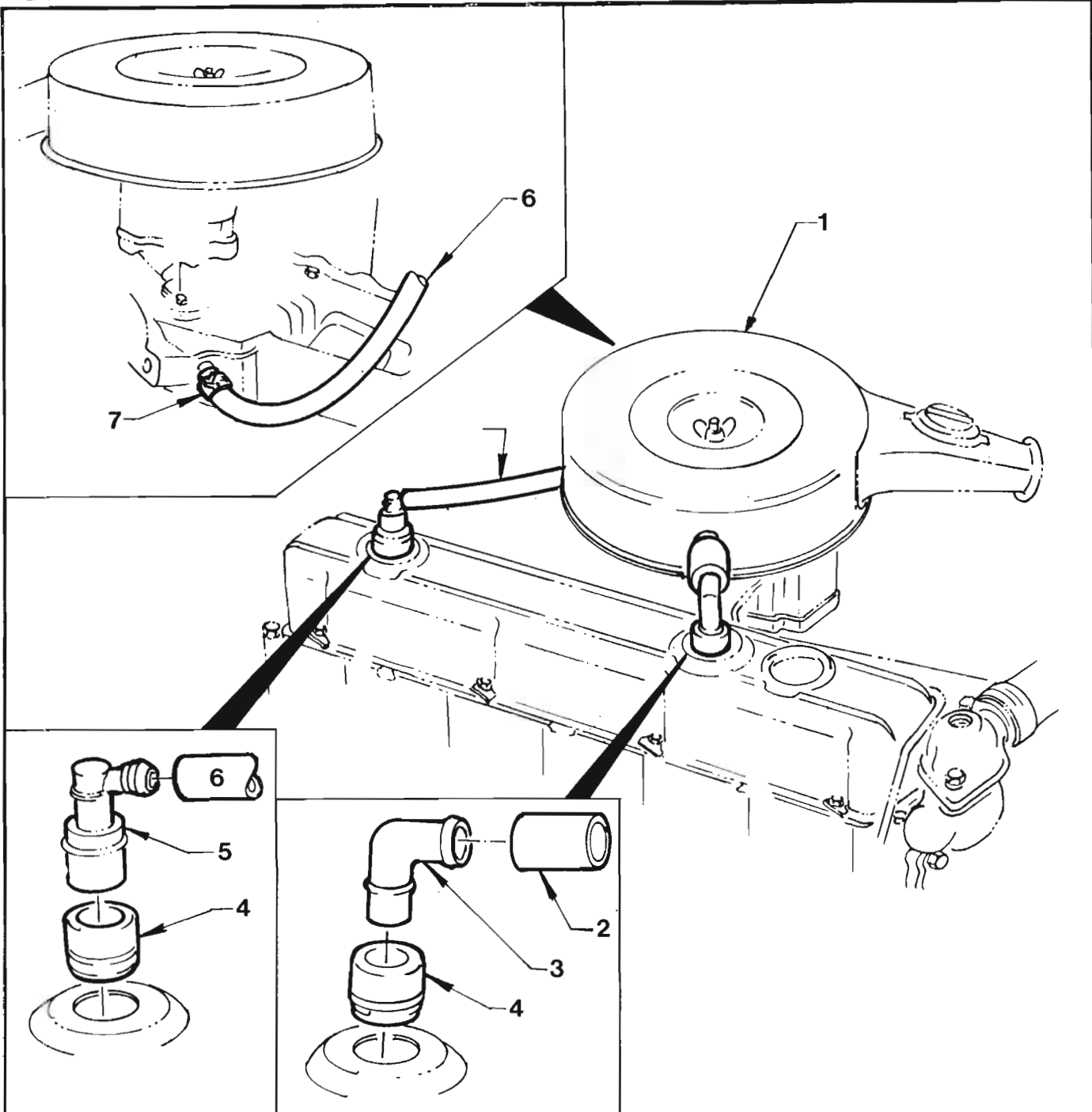
ENGINE – VENTILATION  
 WITHOUT EVAPORATIVE EMISSION CONTROL  
 WITHOUT EXHAUST EMISSION CONTROL  
 6 CYLINDER ENGINE

ILLUS. REF. NO.	PART NAME	GROUP
1.	VALVE – Engine breather .....	1.762
2.	GROMMET .....	1.745
3.	AIR CLEANER & SILENCER ASSEMBLY .....	3.402
4.	HOSE – Engine breather to air cleaner .....	1.762
5.	CONNECTOR – Engine breather to air cleaner .....	1.762
6.	HOSE – Engine breather to manifold .....	1.762



ENGINE – VENTILATION  
 WITH EVAPORATIVE EMISSION CONTROL  
 WITHOUT EXHAUST EMISSION CONTROL  
 6 CYLINDER ENGINE

ILLUS. REF. NO.	PART NAME	GROUP
1.	VALVE – Engine breather .....	1.762
2.	GROMMET .....	1.745
3.	AIR CLEANER & SILENCER ASSEMBLY .....	3.402
4.	HOSE – Engine breather to air cleaner .....	1.762
5.	CONNECTOR – Engine breather to air cleaner .....	1.762
6.	CLAMP – Engine breather hose .....	3.120



**ENGINE VENTILATION  
WITH EVAPORATIVE AND EXHAUST EMISSION CONTROL  
6 CYLINDER ENGINE**

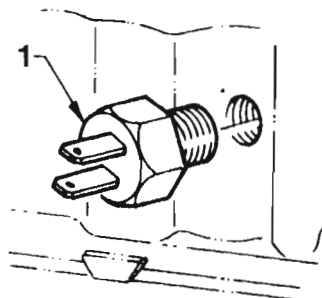
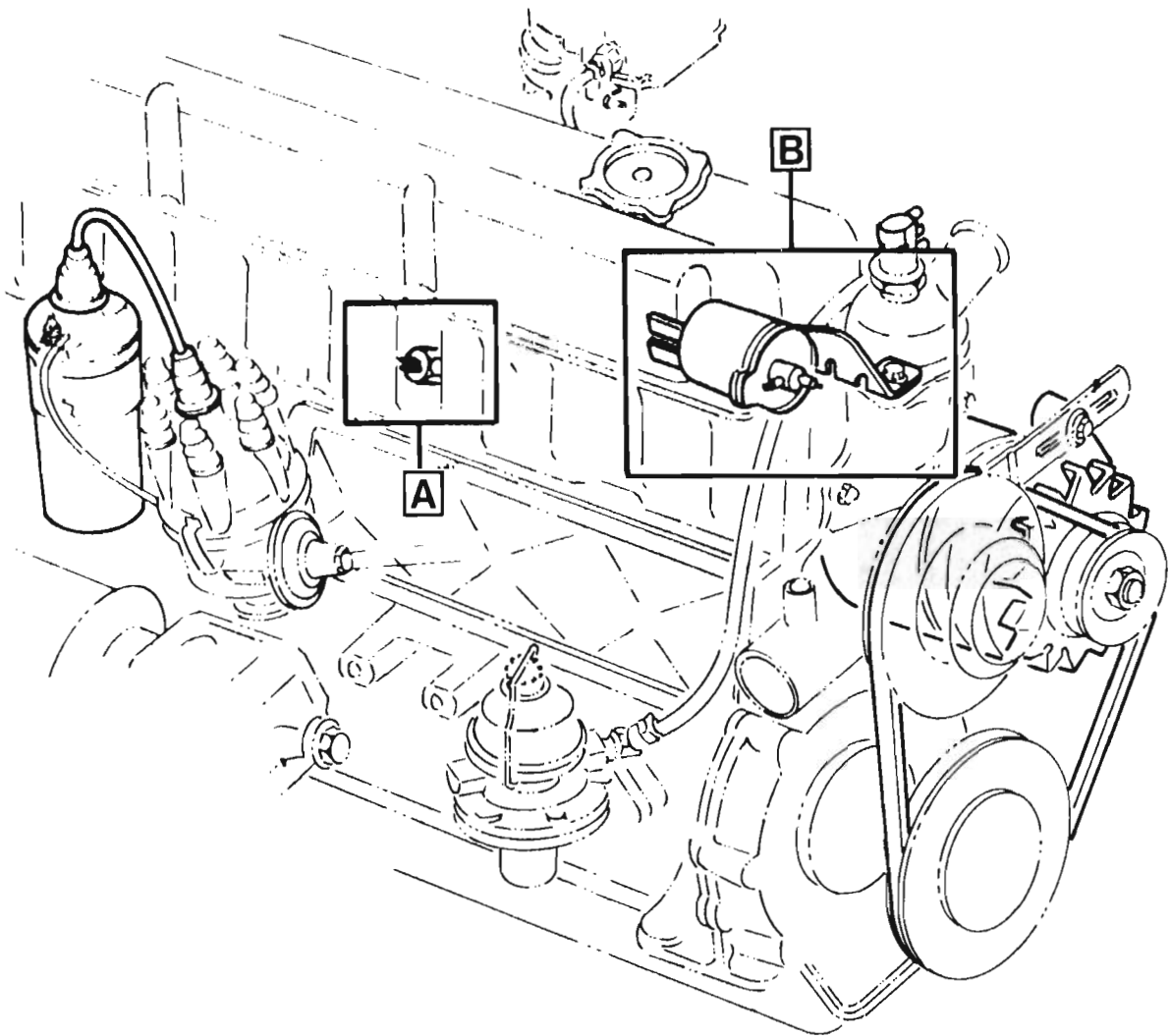
ILLUS. REF. NO.	PART NAME	GROUP
1.	AIR CLEANER & SILENCER ASSEMBLY .....	3.402
2.	HOSE – Engine breather to air cleaner .....	1.762
3.	CONNECTOR – Engine breather to air cleaner .....	1.762
4.	GROMMET .....	1.745
5.	VALVE – Engine breather .....	1.762
6.	HOSE – Engine breather to manifold .....	1.762
7.	CLAMP – Engine breather hose to manifold .....	1.762

11A9 GP  
31

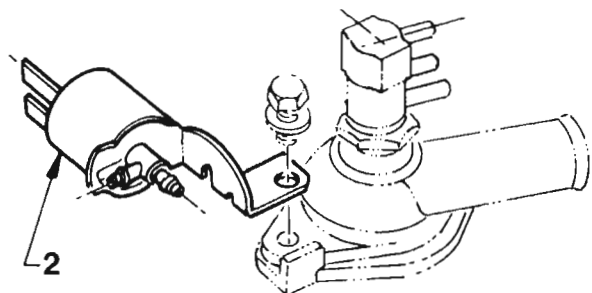
# **GROUP 2.000**

# **ELECTRICAL – INSTRUMENTS**





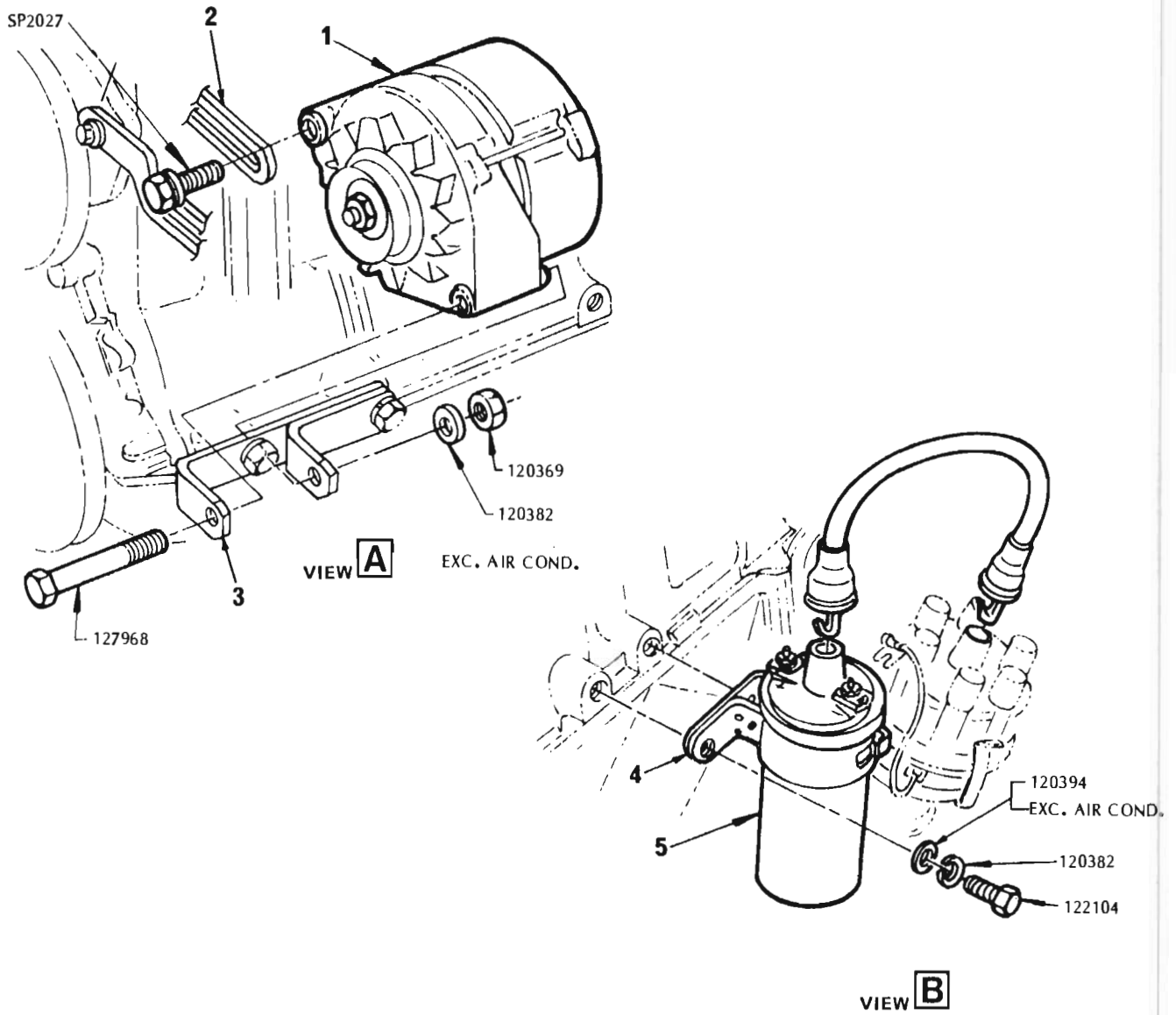
VIEW **A**



VIEW **B**

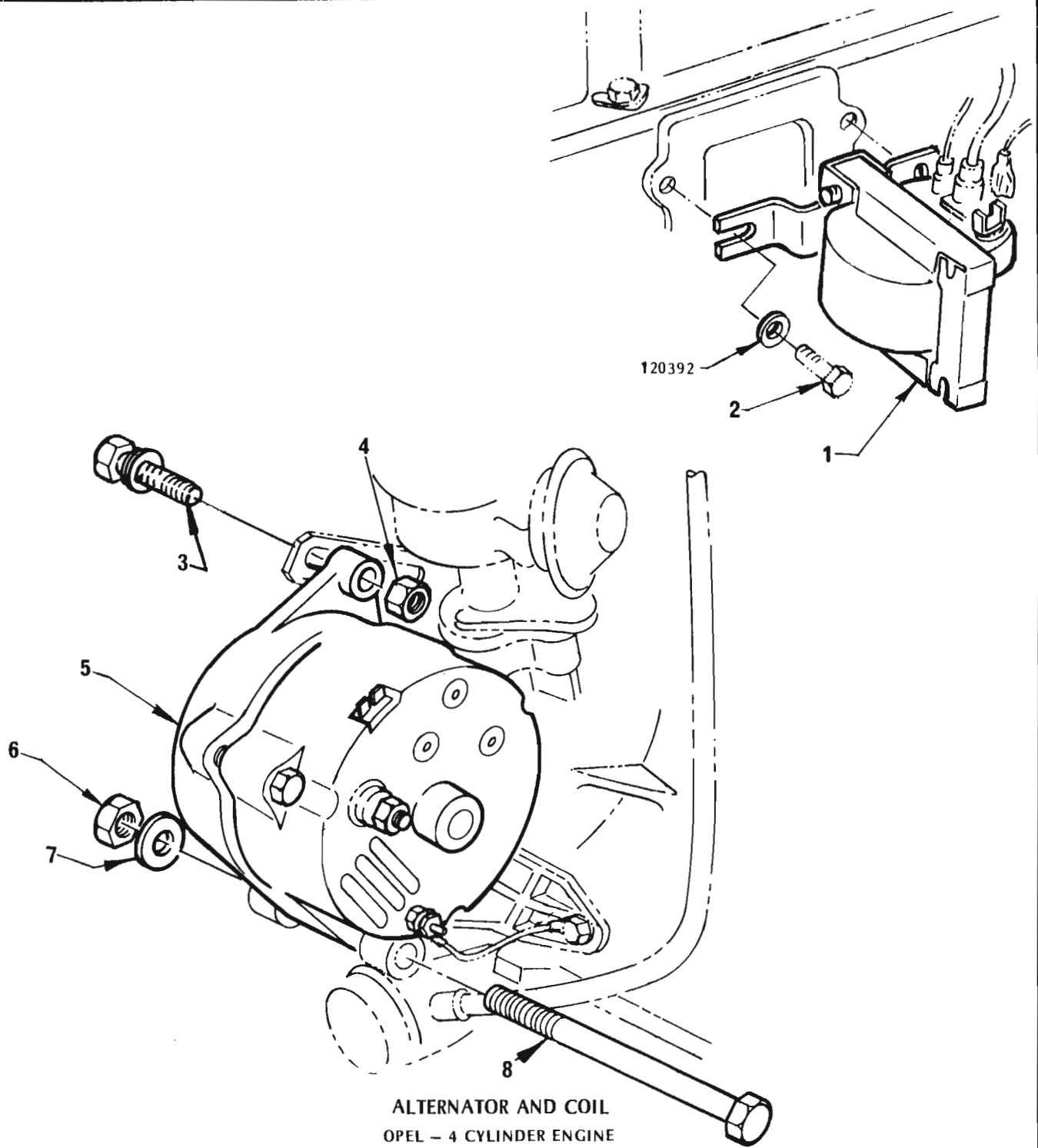
**ENGINE ELECTRICAL UNITS  
WITH EVAPORATIVE AND EXHAUST EMISSION CONTROL  
6 CYLINDER ENGINE**

ILLUS. REF. NO.	PART NAME	GROUP
1.	SWITCH - Cold feed .....	2.408
2.	VALVE - Switch solenoid .....	2.408



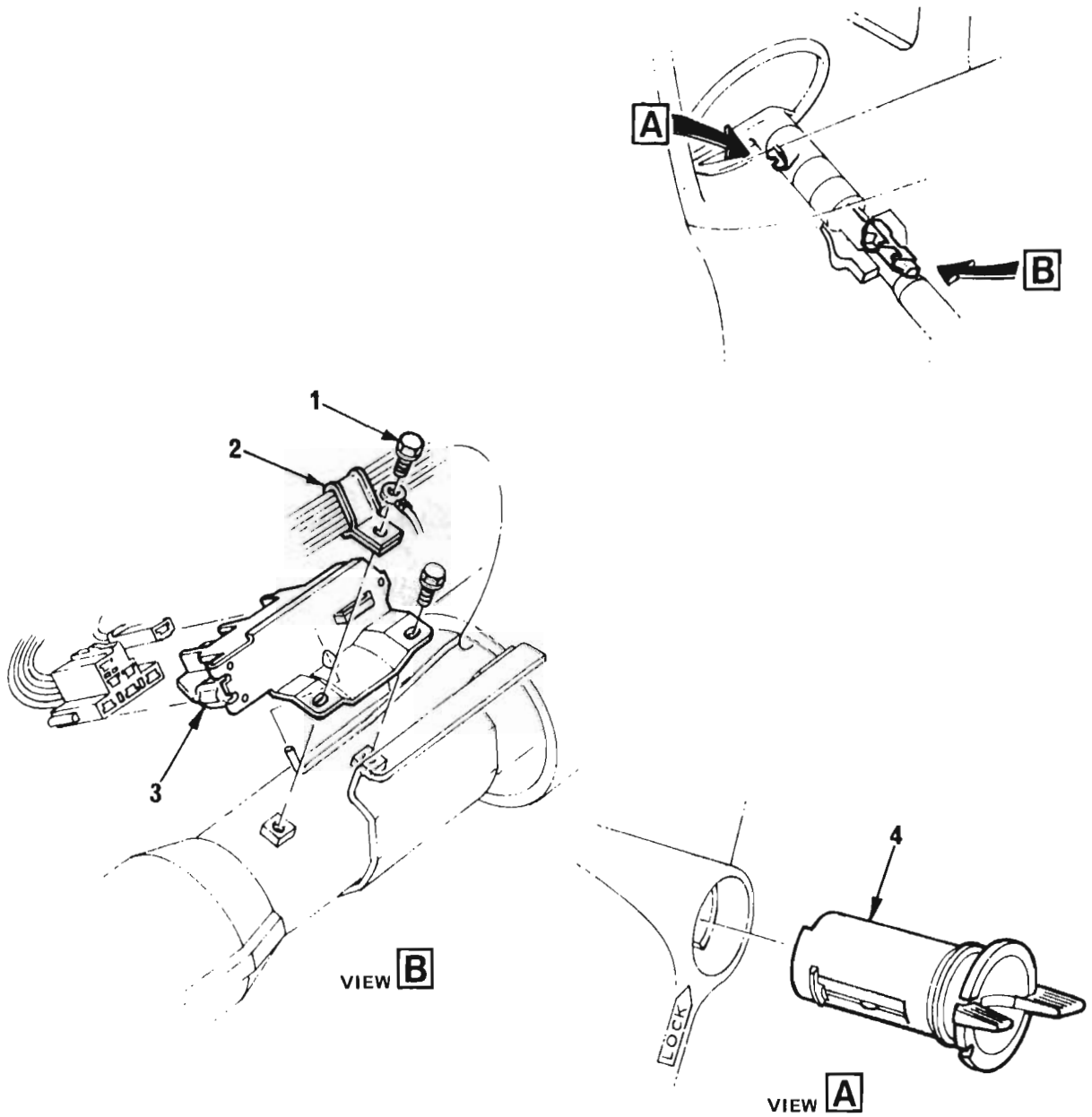
ALTERNATOR AND COIL  
6 CYLINDER ENGINE

ILLUS. REF. NO.	PART NAME	GROUP
1.	ALTERNATOR ASSEMBLY .....	2.275
2.	BRACE - Alternator .....	2.317
3.	BRACKET ASSEMBLY - Alternator mounting .....	2.277
4.	BRACKET - Ignition coil .....	2.170
5.	COIL ASSEMBLY - Ignition .....	2.170



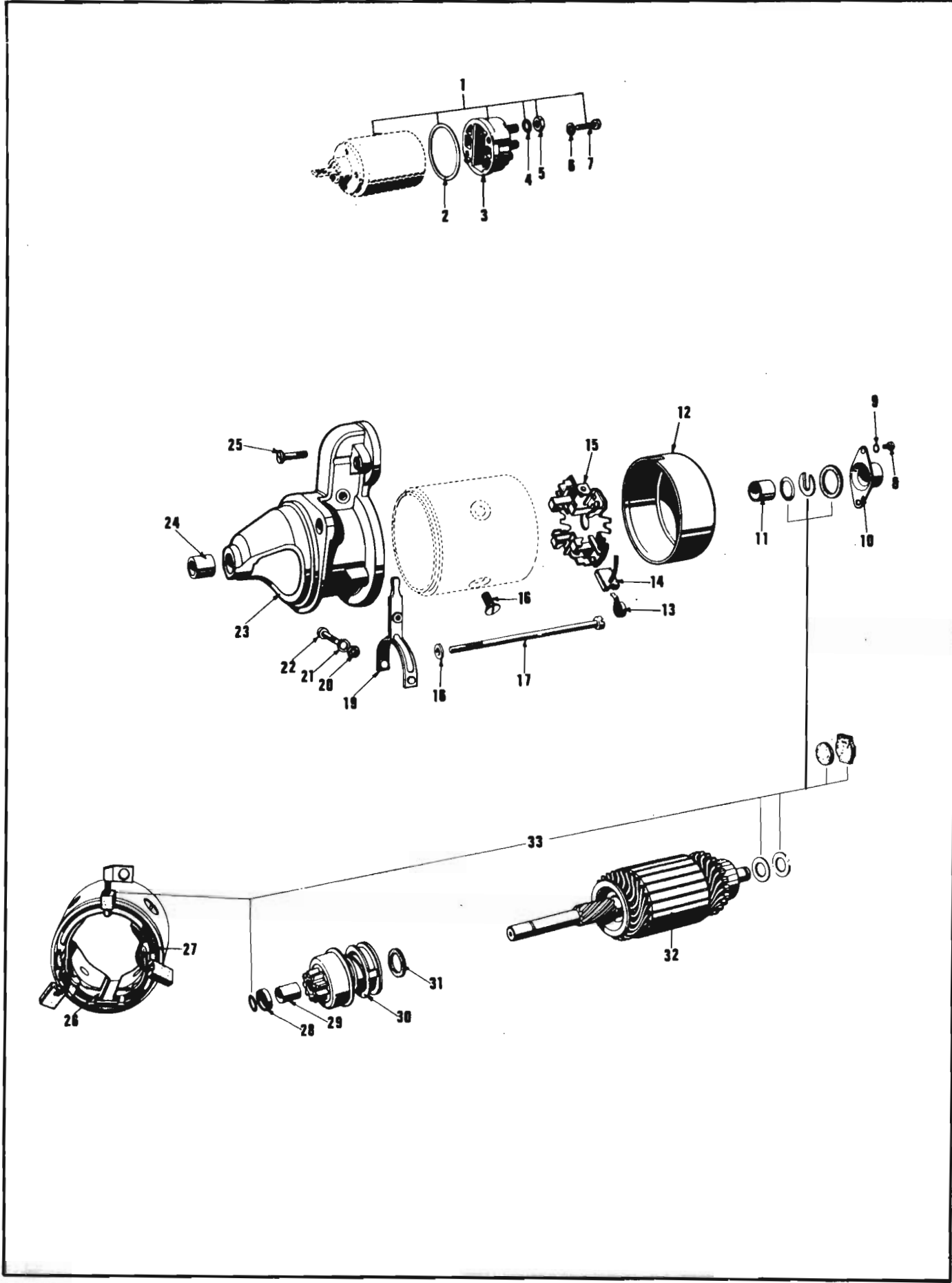
ALTERNATOR AND COIL  
OPEL - 4 CYLINDER ENGINE

ILLUS. REF. NO.	PART NAME	GROUP
1.	COIL & BRACKET ASSEMBLY - Ignition .....	2.170
2.	BOLT - Bracket to upper inspection cover .....	2.170
3.	BOLT - Alternator to brace .....	2.317
4.	NUT - Alternator to brace bolt .....	2.317
5.	ALTERNATOR ASSEMBLY .....	2.275
6.	NUT - Alternator to bracket bolt .....	2.277
7.	WASHER - Alternator to bracket bolt .....	2.277
8.	BOLT - Alternator to bracket .....	2.277



IGNITION LOCK & SWITCH

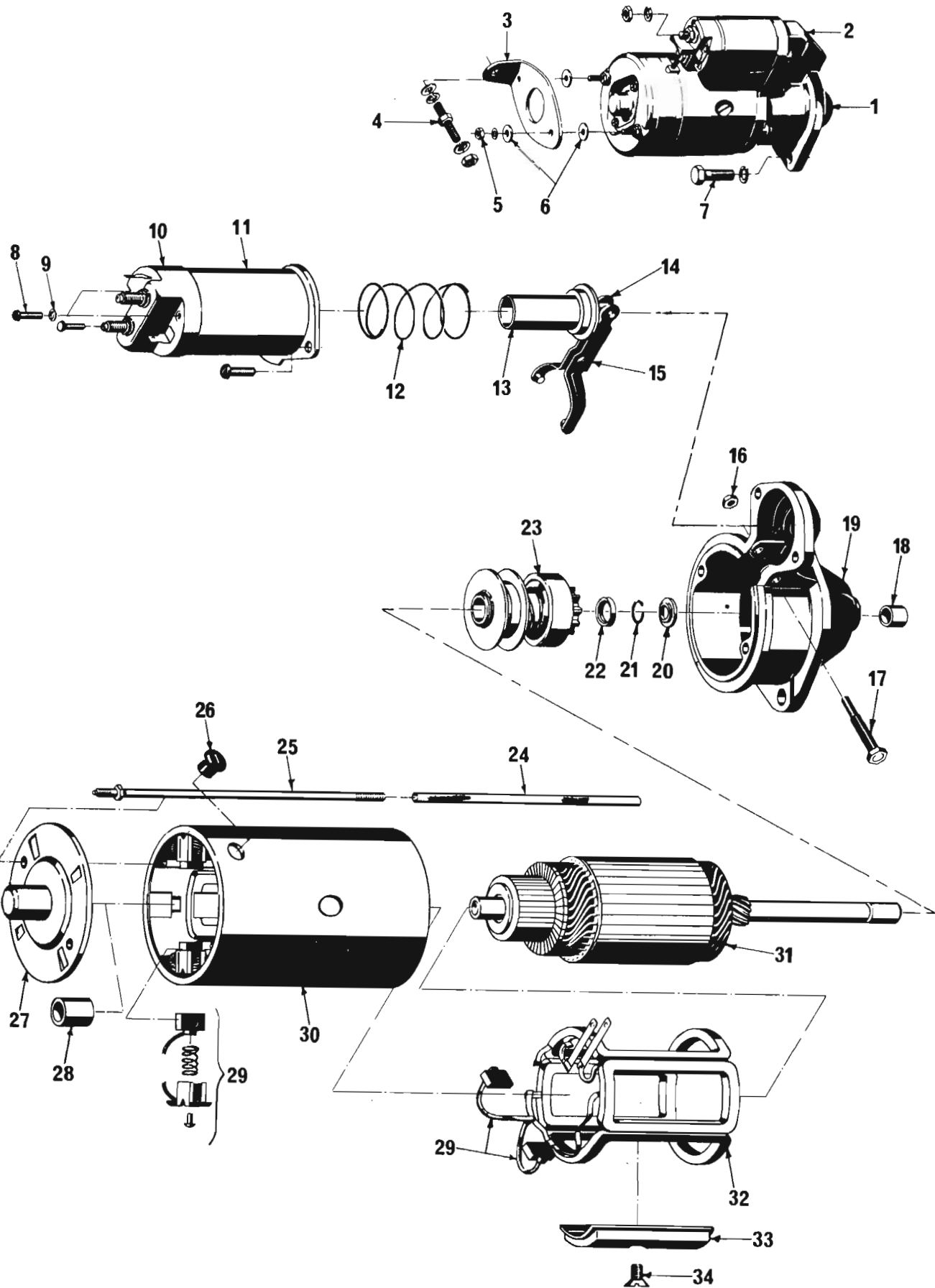
ILLUS. REF. NO.	PART NAME	GROUP
1.	BOLT - Switch to column .....	2.188
2.	CLIP - Switch harness to ignition switch screw .....	2.895
3.	SWITCH ASSEMBLY - Ignition & starter .....	2.188
4.	LOCK ASSEMBLY - Ignition .....	2.188



**STARTER MOTOR – BOSCH**

**ILLUSTRATION OPPOSITE**

ILLUS. REF. NO.	PART NAME	GROUP
1-33	STARTER MOTOR ASSEMBLY .....	2.041
1.	SWITCH – Solenoid .....	2.100
2.	GASKET – Solenoid .....	2.102
3.	COVER – Solenoid switch .....	2.102
4.	WASHER – Main terminal .....	2.102
5.	NUT – Contact bolt .....	2.102
6.	WASHER – Cover attaching screw .....	2.102
7.	SCREW – Cover attaching .....	2.102
8.	SCREW – Bearing cap .....	2.063
9.	WASHER – Bearing cap screw .....	2.063
10.	CAP – Bearing .....	2.063
11.	BUSH – Commutator end .....	2.083
12.	FRAME – Commutator end .....	2.067
13.	SPRING – Brush .....	2.053
14.	BRUSH SET .....	2.051
15.	PLATE – Brush holder .....	2.052
16.	SCREW – Pole shoe .....	2.077
17.	BOLT – Through .....	2.077
18.	WASHER – Through bolt .....	2.077
19.	LEVER .....	2.108
20.	NUT .....	2.108
21.	WASHER .....	2.108
22.	SCREW .....	2.108
23.	HOUSING .....	2.085
24.	BUSH – Drive end .....	2.083
25.	SCREW – Solenoid switch attaching .....	2.100
26.	COIL ASSEMBLY .....	2.049
27.	INSULATOR .....	2.049
28.	RING – Stop .....	2.096
29.	BUSH – Drive .....	2.087
30.	DRIVE ASSEMBLY .....	2.086
31.	BUFFER – Drive .....	2.087
32.	ARMATURE .....	2.043
33.	SUNDRY PARTS SET .....	2.080

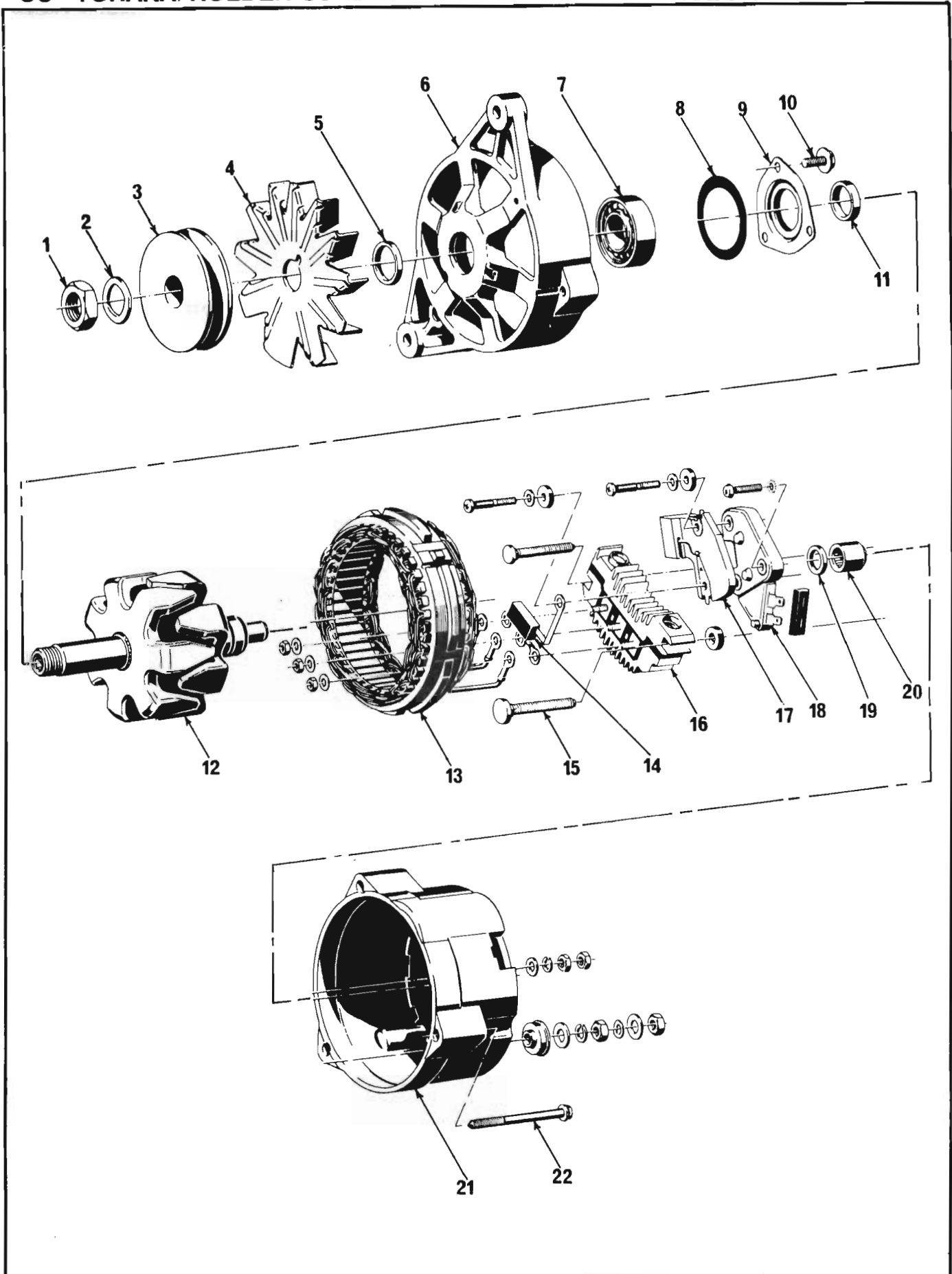


**STARTER MOTOR — DELCO REMY  
OPEL — 4 CYLINDER ENGINE**

**ILLUSTRATION OPPOSITE**

ILLUS. REF. NO.	PART NAME	GROUP
1.	MOTOR ASSEMBLY .....	2.041
2.	SWITCH — Solenoid .....	2.100
3.	SUPPORT — Starter to engine .....	2.041
4.	STUD — Support to engine .....	2.041
5.	NUT — Support to starter .....	2.041
6.	WASHER — Support to starter .....	2.041
7.	BOLT — Starter motor .....	2.041
8.	SCREW — Cover attaching .....	N.S.S.
9.	WASHER — Cover attaching screw .....	N.S.S.
10.	COVER — Switch .....	N.S.S.
11.	CASE & COIL .....	N.S.S.
12.		
13.	} SHIFT LEVER — Repair kit .....	2.108
14.		
15.		
16.		
17.		
18.	BUSH — Drive end .....	2.083
19.	HOUSING .....	2.085
20.		
21.	} STOP, COLLAR, RING — Repair kit .....	2.096
22.		
23.	DRIVE ASSEMBLY .....	2.086
24.	} BOLT SET — Through .....	2.077
25.		
26.	INSULATOR — Terminal to solenoid .....	N.S.S.
27.	FRAME .....	N.S.S.
28.	BUSH — Commutator end .....	2.083
29.	BRUSH SET .....	2.051
30.	HOUSING .....	N.S.S.
31.	ARMATURE .....	2.043
32.	COIL SET .....	2.049
33.	SHOE POLE .....	N.S.S.
34.	SCREW — Pole shoe .....	N.S.S.



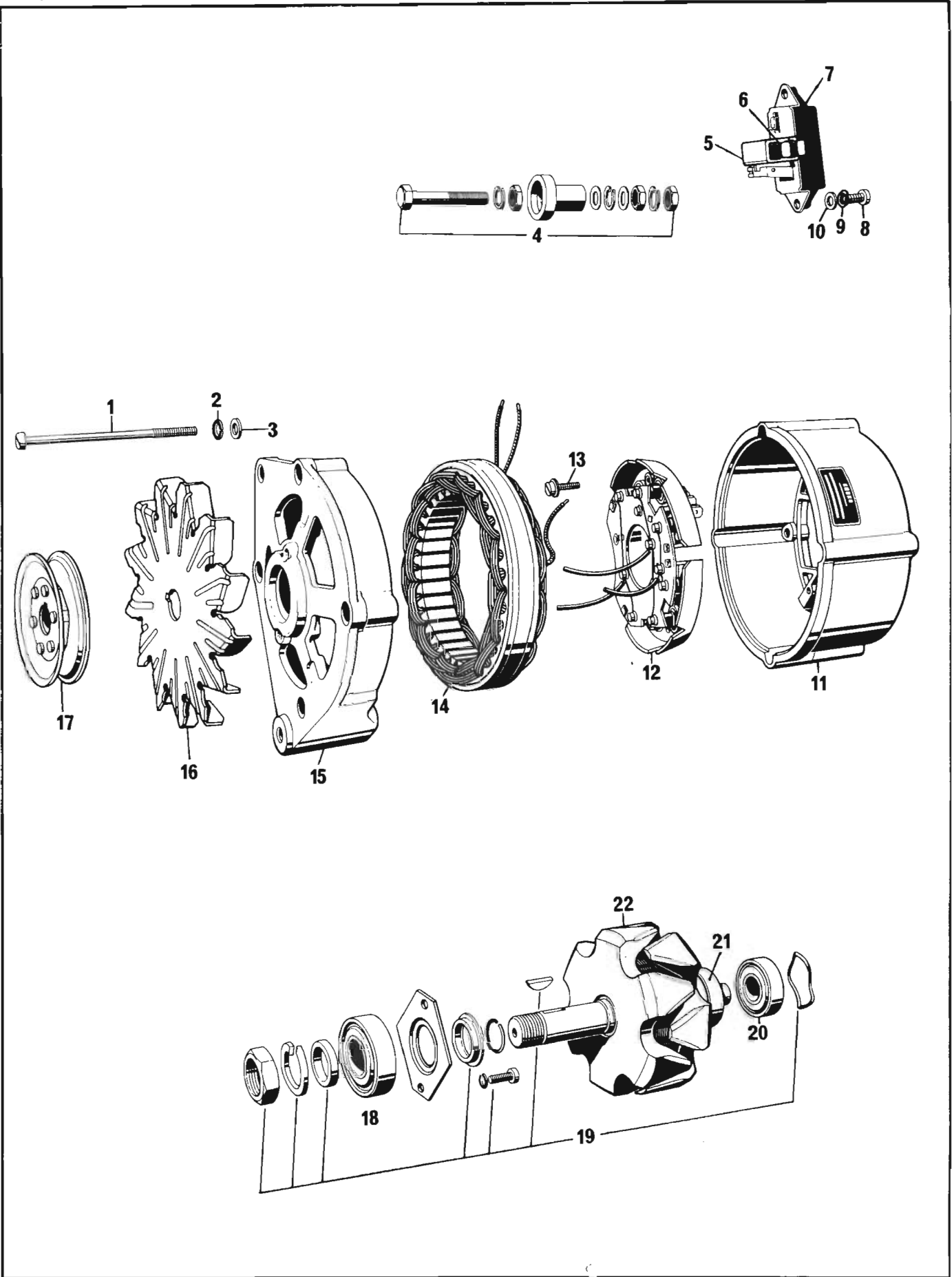


**ALTERNATOR**

**OPEL - 4 CYLINDER ENGINE**

**ILLUSTRATION OPPOSITE**

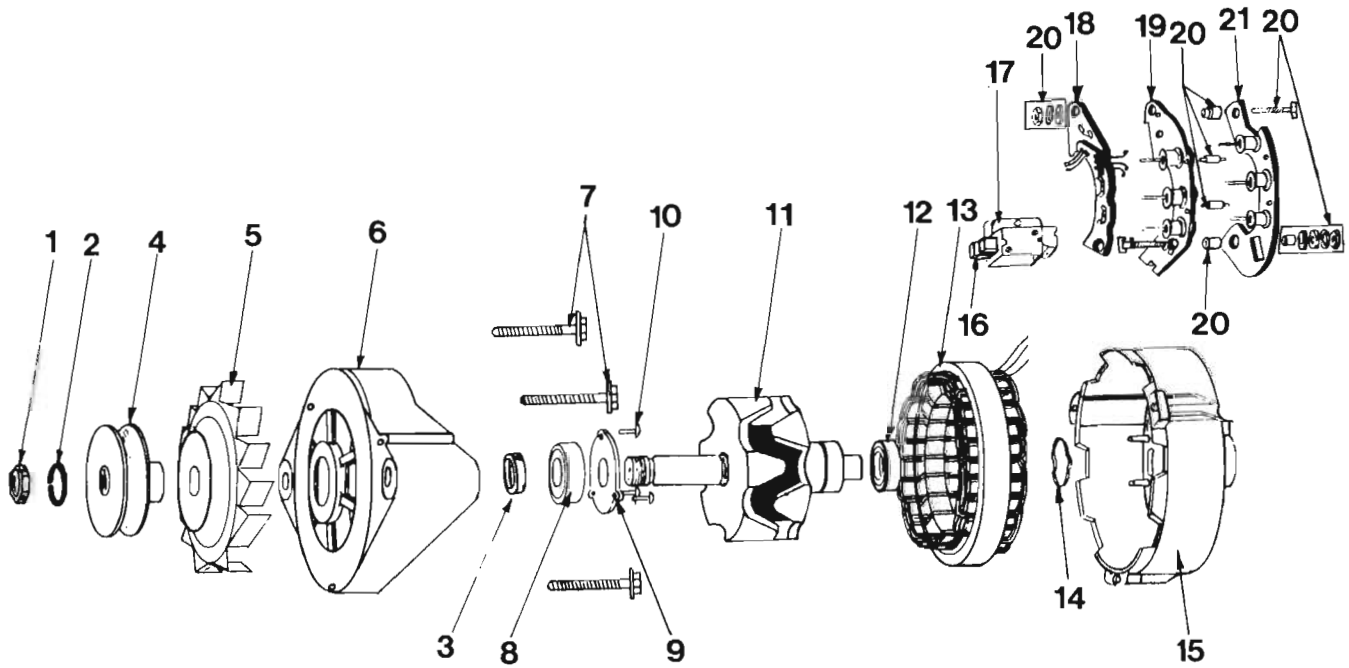
ILLUS. REF. NO.	PART NAME	GROUP
1-22.	ALTERNATOR ASSEMBLY .....	2.275
1.	NUT - Rotor shaft .....	2.280
2.	WASHER - Lock .....	2.280
3.	PULLEY - Alternator .....	2.274
4.	FAN - Alternator .....	2.274
5.	COLLAR - Drive end shaft - Outer .....	2.307
6.	FRAME ASSEMBLY - Drive end .....	2.305
7-10.	BEARING PACKAGE - Drive end .....	2.306
11.	COLLAR - Drive end shaft - Inner .....	2.307
12.	ROTOR ASSEMBLY - Alternator .....	2.279
13.	STATOR - Alternator .....	2.310
14.	PLATE & LEAD ASSEMBLY - With three diodes .....	2.287
15.	TERMINAL - Negative .....	2.289
16.	BRIDGE - Rectifier .....	2.289
17.	HOLDER ASSEMBLY - Brush .....	2.291
18.	REGULATOR ASSEMBLY - Voltage and current .....	2.500
19.	SEAL - Slip ring end .....	2.298
20.	BEARING - Slip ring end .....	2.298
21.	FRAME ASSEMBLY - Slip ring end .....	2.297
22.	BOLT - Through .....	2.316



**ALTERNATOR – BOSCH  
6 CYLINDER ENGINE**

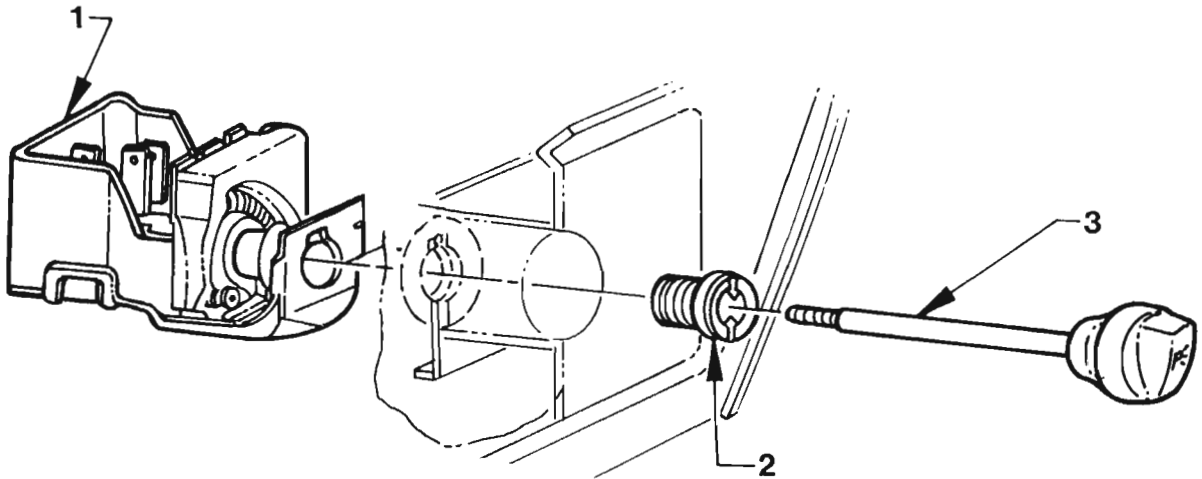
**ILLUSTRATION OPPOSITE**

ILLUS. REF. NO.	PART NAME	GROUP
1-22	ALTERNATOR ASSEMBLY .....	2.275
1.	BOLT – Through .....	2.316
2.	WASHER – Lock .....	2.316
3.	WASHER – Plain .....	2.316
4.	SUNDRY PARTS SET .....	2.315
5.	SPRING – Brush .....	2.286
6.	BRUSH SET .....	2.285
7.	REGULATOR ASSEMBLY .....	2.500
8.	SCREW .....	2.500
9.	WASHER – Lock .....	2.500
10.	WASHER – Flat .....	2.500
11.	PLATE – Slip ring end .....	2.297
12.	RECTIFIER ASSEMBLY .....	2.289
13.	BOLT – Rectifier .....	2.289
14.	STATOR .....	2.310
15.	PLATE – Drive end .....	2.305
16.	FAN .....	2.274
17.	PULLEY .....	2.274
18.	BEARING – Drive end .....	2.306
19.	SUNDRY PARTS SET – Drive end .....	2.307
20.	BEARING – Slip ring end .....	2.298
21.	SLIP RING .....	2.279
22.	ROTOR .....	2.279



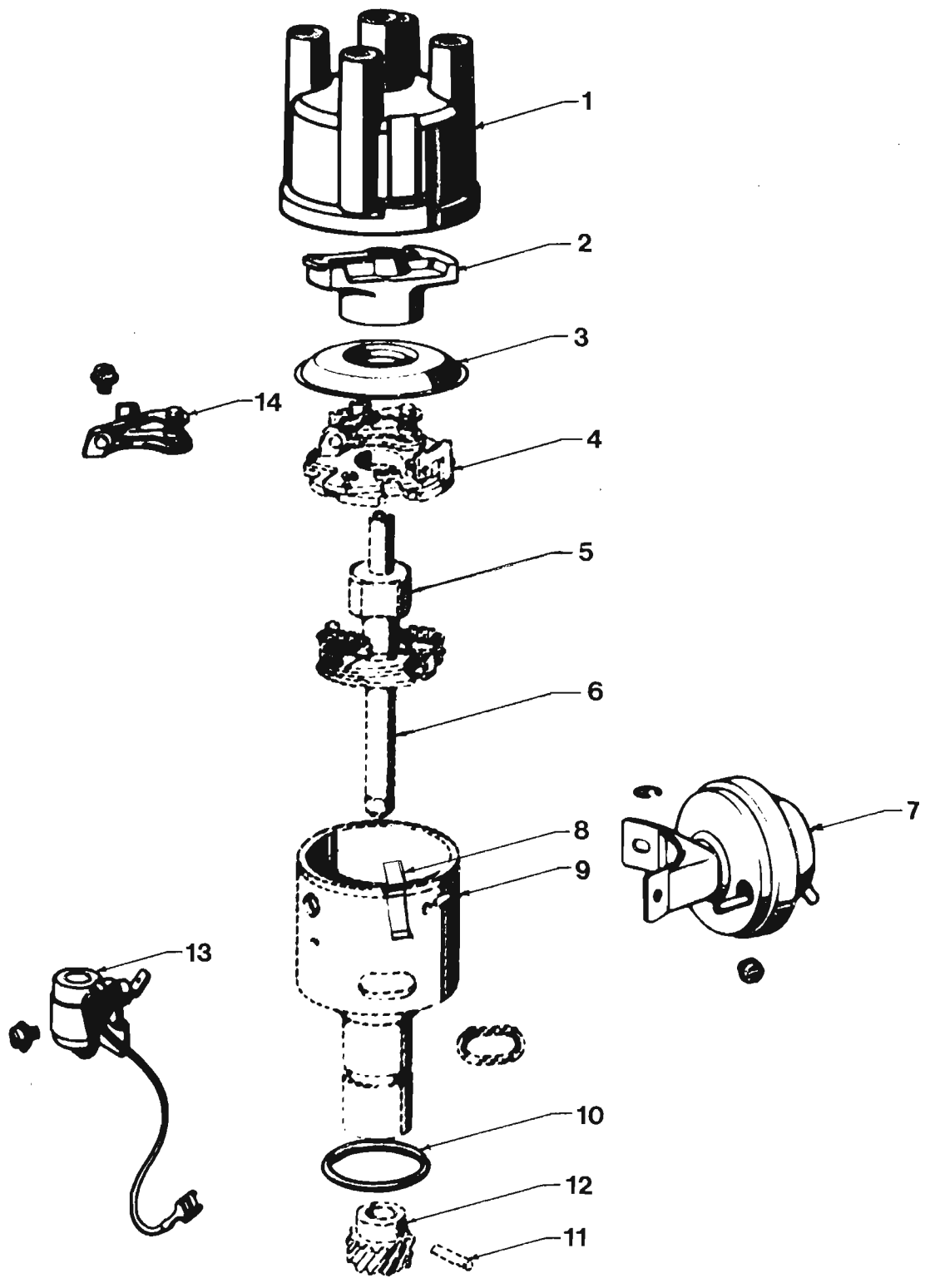
ALTERNATOR  
LUCAS

ILLUS. REF. NO.	PART NAME	GROUP
1-21	ALTERNATOR ASSEMBLY .....	2.275
1.	NUT - Rotor shaft .....	2.280
2.	WASHER - Lock .....	2.280
3.	COLLAR - Distance .....	2.307
4.	PULLEY ASSEMBLY .....	2.274
5.	FAN - Alternator .....	2.274
6.	PLATE - Drive end .....	2.305
7.	BOLT - Through .....	2.316
8.	BEARING - Drive end .....	2.306
9.	PLATE - Bearing retainer .....	2.307
10.	SCREW - Bearing retainer plate .....	2.307
11.	ROTOR .....	2.279
12.	BEARING - Slip ring end .....	2.298
13.	STATOR .....	2.310
14.	WASHER - Wave .....	2.297
15.	PLATE - Slip ring end .....	2.297
16.	BRUSH SET .....	2.285
17.	BRUSH BOX MOULDING .....	2.291
18.	PLATE - Field terminal with diodes .....	2.289
19.	SINK - Positive heat with diodes .....	2.289
20.	SUNDRY PARTS SET - Heat sink mounting .....	2.289
21.	SINK - Negative heat with diodes .....	2.289



**LIGHT SWITCH**

ILLUS. REF. NO.	PART NAME	GROUP
1.	SWITCH ASSEMBLY .....	2.485
2.	BUSH .....	2.487
3.	ROD ASSEMBLY .....	2.486



Revised June, 1978.

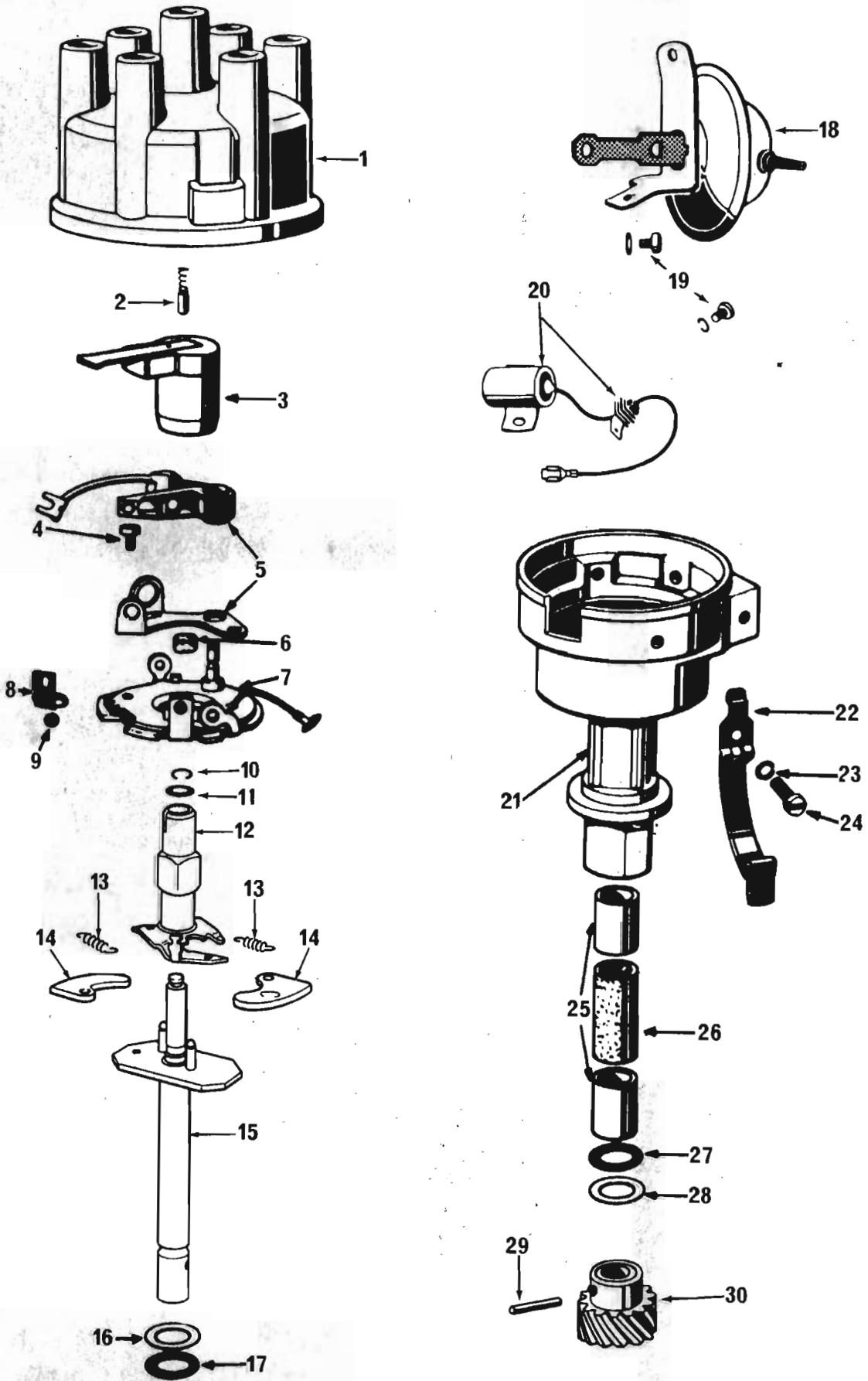
DISTRIBUTOR – BOSCH  
 OPEL – 4 CYLINDER ENGINE

ILLUSTRATION OPPOSITE

ILLUS. REF. NO.	PART NAME	GROUP
1-14.	DISTRIBUTOR ASSEMBLY . . . . .	2.361
1.	CAP. . . . .	2.367
2.	ROTOR . . . . .	2.382
3.	SHIELD – Moisture . . . . .	2.371
4.	PLATE – Breaker. . . . .	N.S.S.
5.	CAM . . . . .	N.S.S.
6.	SHAFT. . . . .	N.S.S.
7.	VACUUM CONTROL ASSEMBLY. . . . .	2.410
8.	SPRING – Cap retaining. . . . .	2.368
9.	HOUSING . . . . .	N.S.S.
10.	GASKET. . . . .	2.362
11.	PIN – Slotted spring . . . . .	N.S.S.
12.	GEAR . . . . .	N.S.S.
13.	CONDENSER . . . . .	2.393
14.	CONTACT SET . . . . .	2.384

Revised June, 1978.

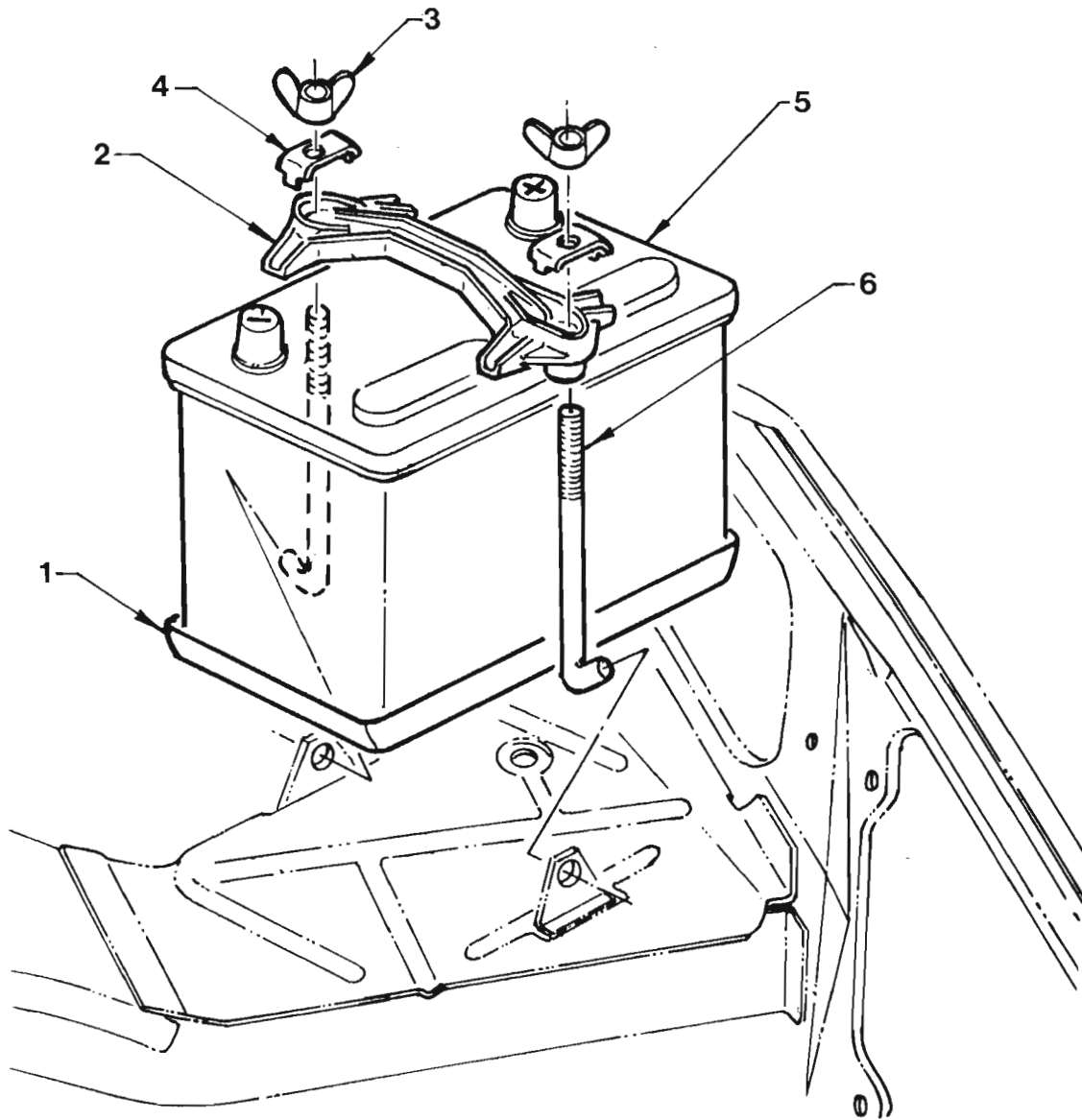




**DISTRIBUTOR — BOSCH  
6 CYLINDER ENGINE**

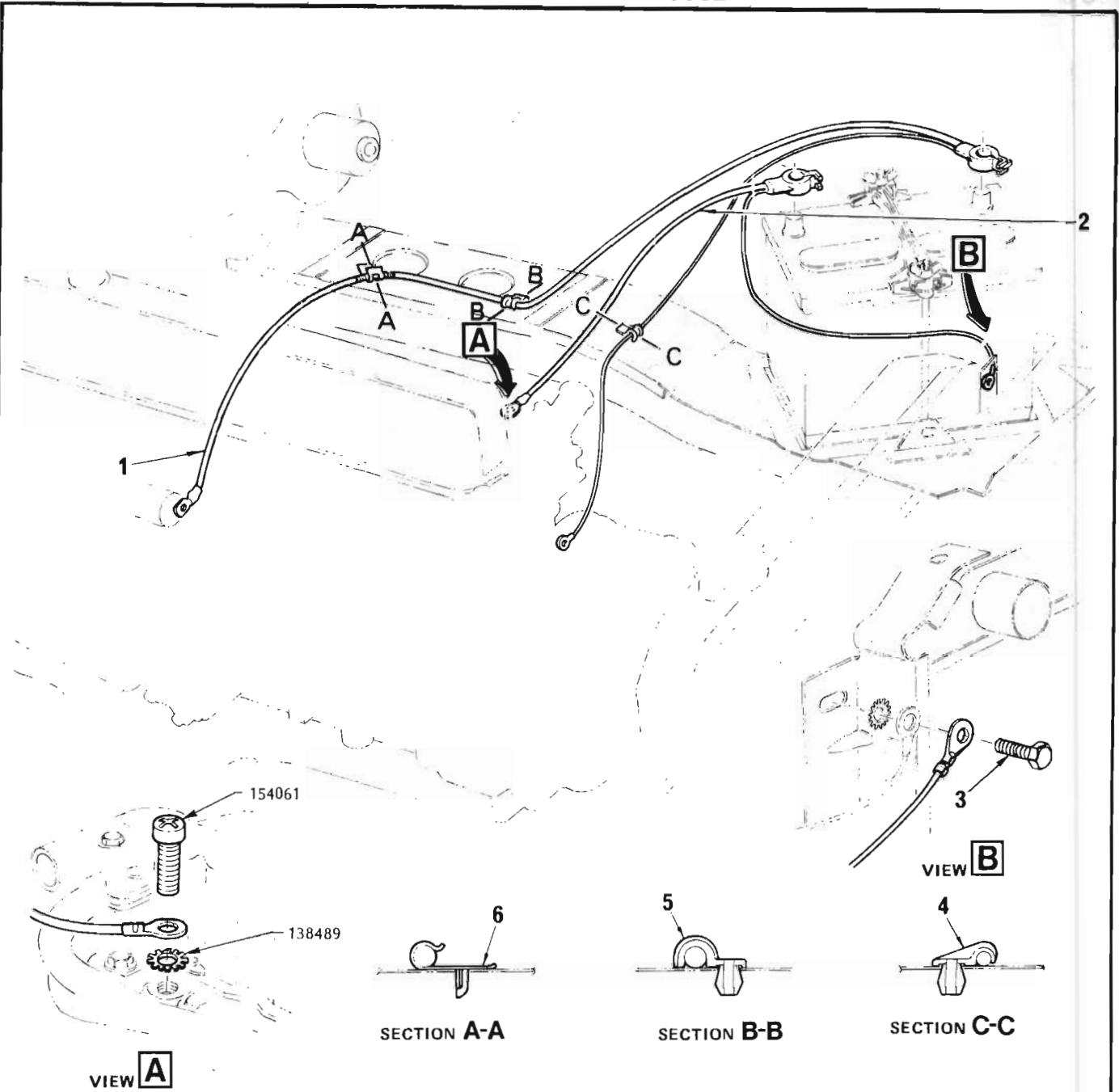
**ILLUSTRATION OPPOSITE**

ILLUS. REF. NO.	PART NAME	GROUP
1-30	DISTRIBUTOR ASSEMBLY .....	2.361
1.	CAP — Distributor .....	2.367
2.	BRUSH — Cap .....	2.370
3.	ROTOR .....	2.382
4.	SCREW — Contact breaker .....	2.387
5.	CONTACT SET .....	2.384
6.	WICK .....	2.364
7.	PLATE & SUPPORT ASSEMBLY .....	2.385
8.	RETAINER — Plate ball .....	2.385
9.	BALL — Plate retainer .....	2.385
10.	CIRCLIP — Cam retainer .....	2.381
11.	WASHER — Cam retainer .....	2.381
12.	CAM .....	2.381
13.	SPRING .....	2.389
14.	WEIGHT .....	2.388
15.	SHAFT .....	2.372
16.	SHIM — Thrust, upper and lower .....	2.372
17.	WASHER — Thrust, fibre, upper and lower .....	2.372
18.	VACUUM CONTROL .....	2.410
19.	SCREW — Attaching .....	2.393/2.410
20.	CONDENSER .....	2.393
21.	HOUSING .....	N.S.S.
22.	SPRING .....	2.368
23.	WASHER — Support screw lock .....	2.385
24.	SCREW — Support .....	2.385
25.	BUSH — Upper and lower .....	2.362
26.	FELT — Lubrication .....	2.362
27.	WASHER — Thrust, fibre, upper and lower .....	2.372
28.	SHIM — Thrust, upper and lower .....	2.372
29.	PIN — Slotted spring .....	2.379
30.	GEAR PACKAGE .....	2.374



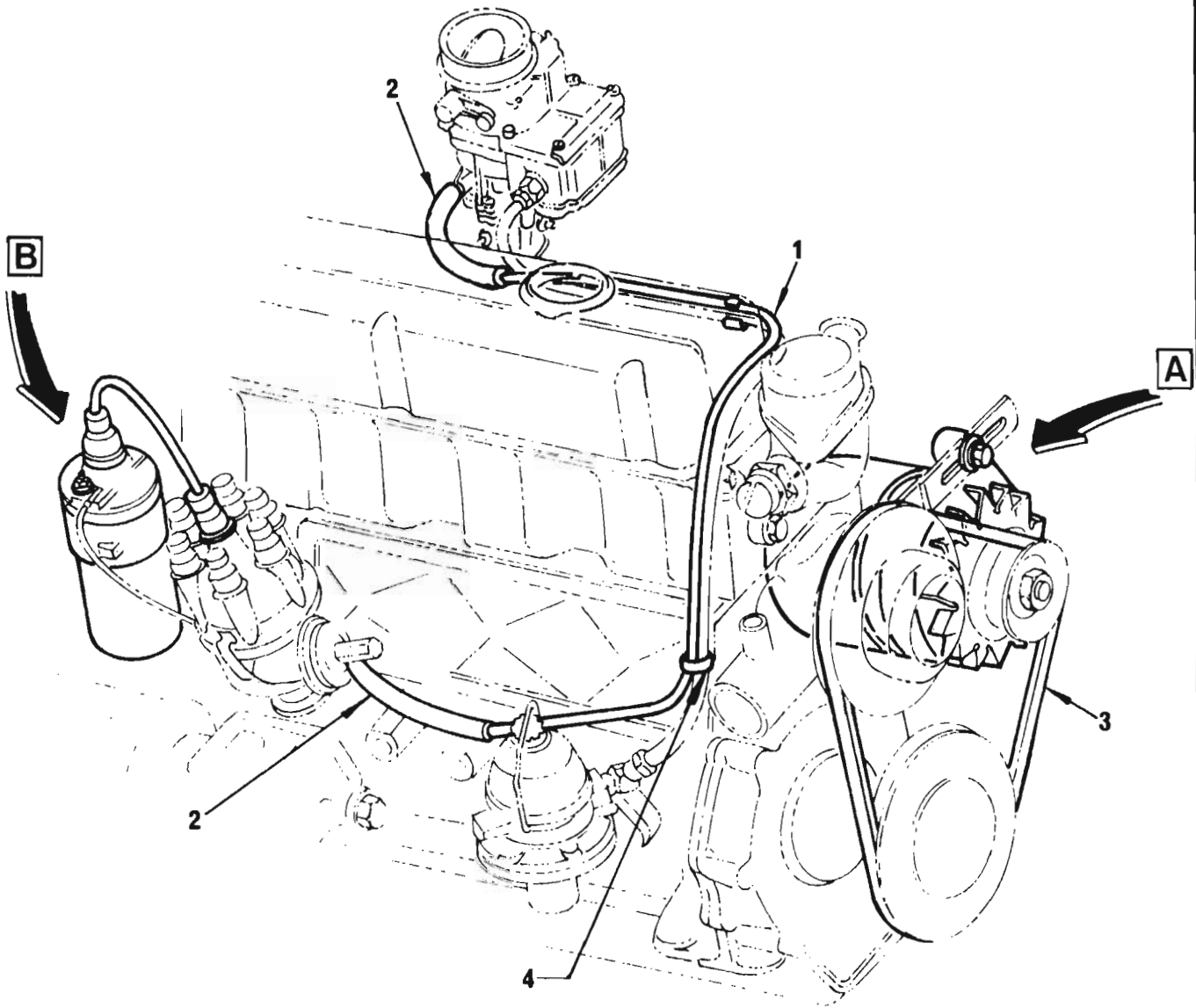
**BATTERY MOUNTING**

ILLUS. REF. NO.	PART NAME	GROUP
1.	TRAY - Battery mounting .....	2.333
2.	RETAINER - Battery mounting .....	2.333
3.	NUT - Wing 1/4" - 20 .....	2.333
4.	PLATE - Retainer lock .....	2.333
5.	BATTERY .....	2.332
6.	BOLT - Battery mounting .....	2.333



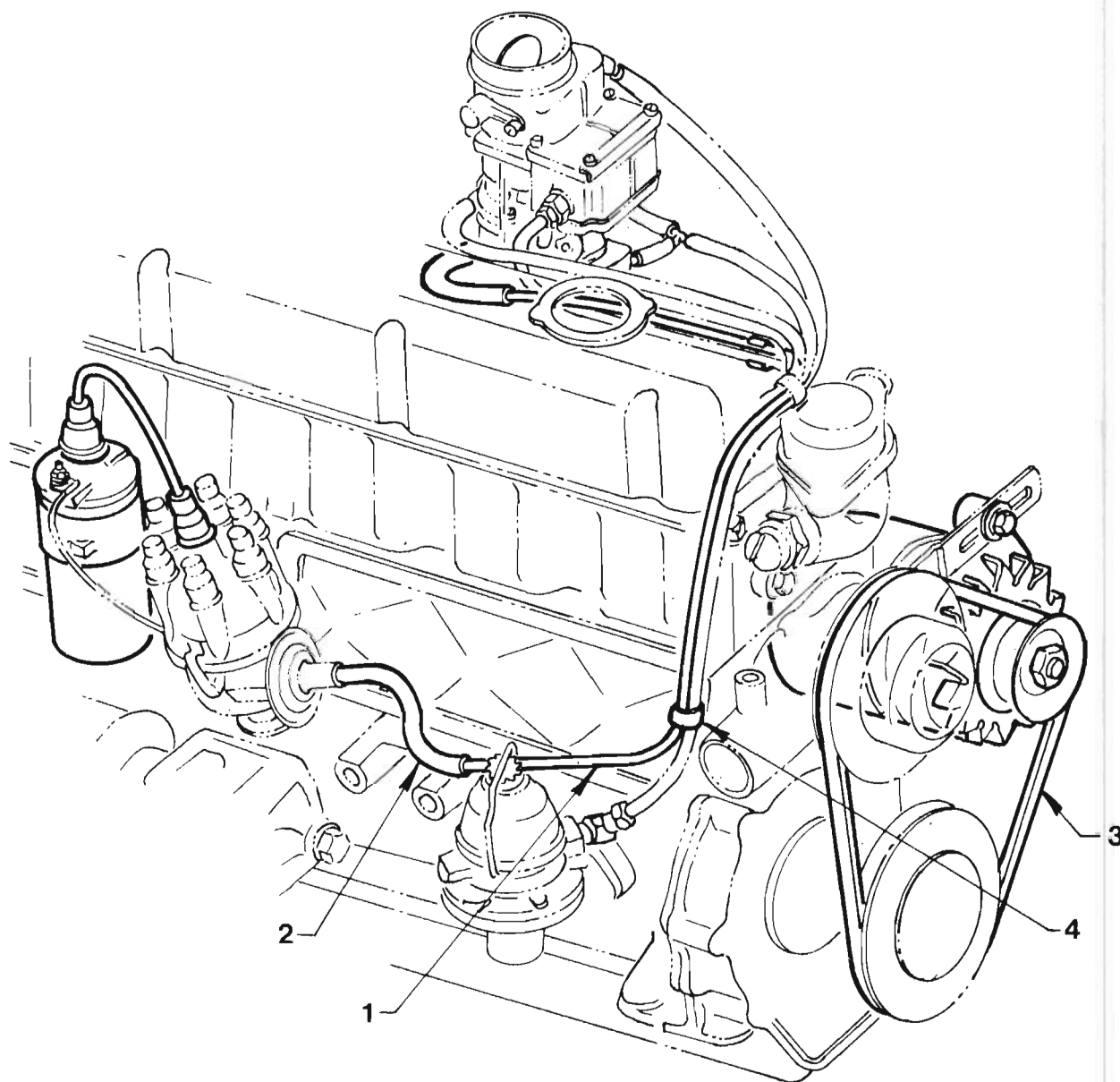
**BATTERY CABLES**

ILLUS. REF. NO.	PART NAME	GROUP
1.	CABLE ASSEMBLY - Starter .....	2.342
2.	CABLE ASSEMBLY - Battery ground .....	2.341
3.	BOLT - Hex. washer hd. 5/16" - 18 x 3/4" .....	1.221
4.	CLIP - 3/16" saddle .....	2.342
5.	CLIP - 5/16" saddle .....	2.342
6.	CLIP - 5/16" snap .....	2.342



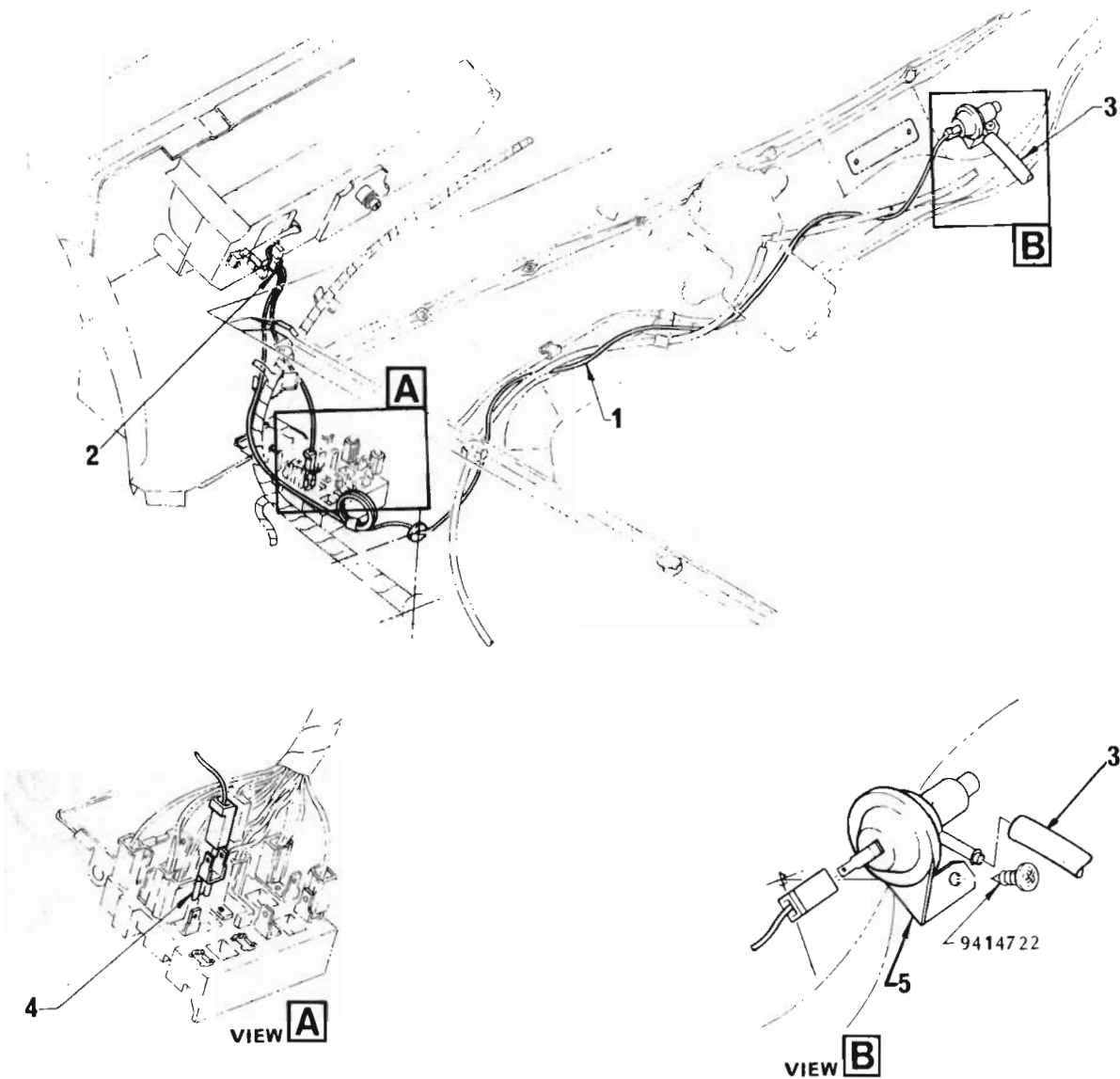
**SPARK CONTROL PIPE  
WITHOUT EVAPORATIVE EMISSION CONTROL  
WITHOUT EXHAUST EMISSION CONTROL  
6 CYLINDER ENGINE**

ILLUS. REF. NO.	PART NAME	GROUP
1.	PIPE ASSEMBLY .....	2.424
2.	HOSE .....	2.424
3.	BELT .....	1.066
4.	CLIP - Control pipe to fuel pipe .....	2.424



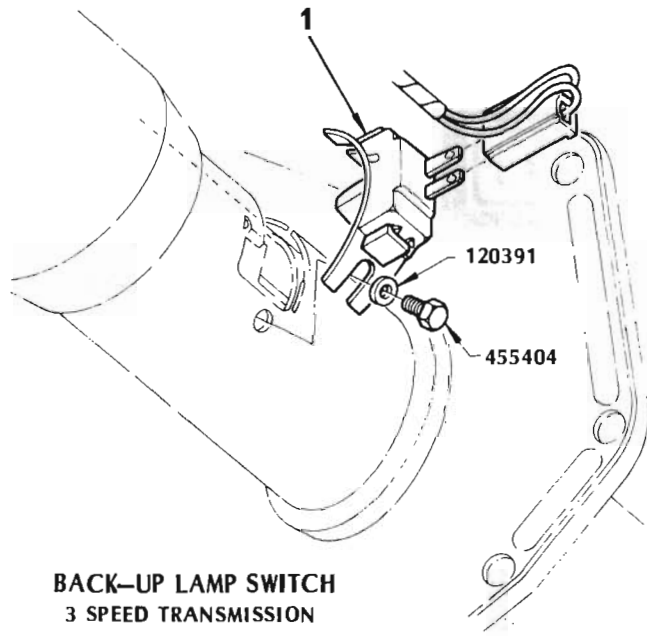
**SPARK CONTROL PIPE  
WITH EVAPORATIVE EMISSION CONTROL  
WITHOUT EXHAUST EMISSION CONTROL  
6 CYLINDER ENGINE**

ILLUS. REF. NO.	PART NAME	GROUP
1.	PIPE ASSEMBLY .....	2.424
2.	HOSE .....	2.424
3.	BELT .....	1.066
4.	CLIP - Control pipe to fuel pipe .....	2.424

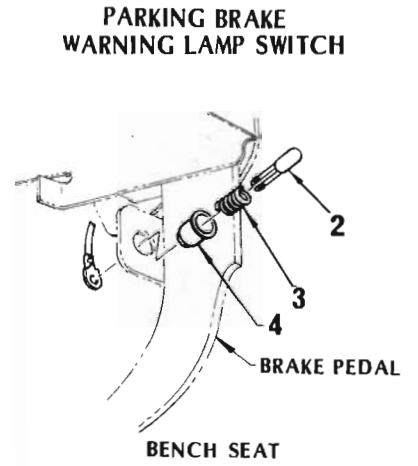


FUEL ECONOMY INDICATOR LIGHT

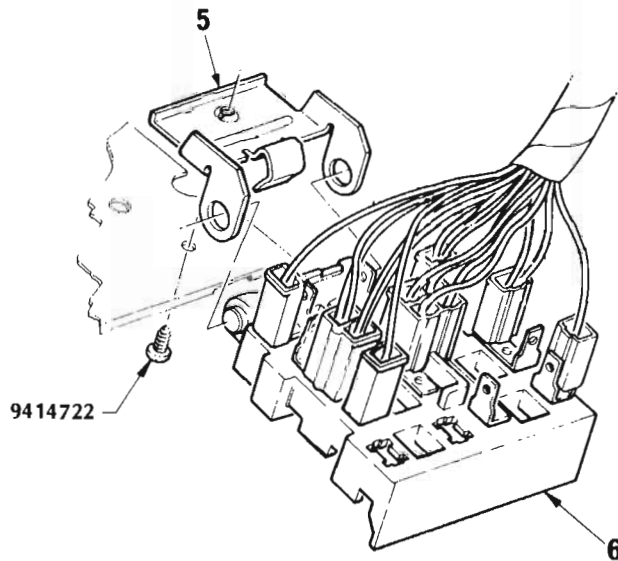
ILLUS. REF. NO.	PART NAME	GROUP
1.	LEAD ASSEMBLY – Indicator light .....	2.515
2.	SOCKET – Bulb holder .....	2.515
3.	HOSE – Vacuum .....	2.515
4.	ADAPTOR – Lead to fuse panel .....	2.515
5.	SWITCH ASSEMBLY .....	2.515



BACK-UP LAMP SWITCH  
3 SPEED TRANSMISSION



PARKING BRAKE  
WARNING LAMP SWITCH

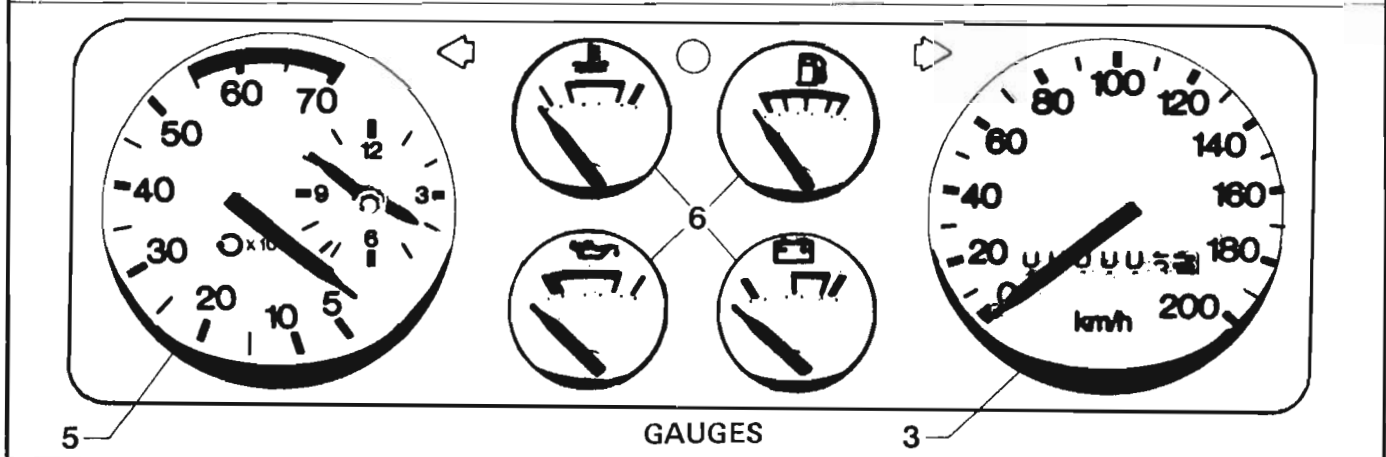
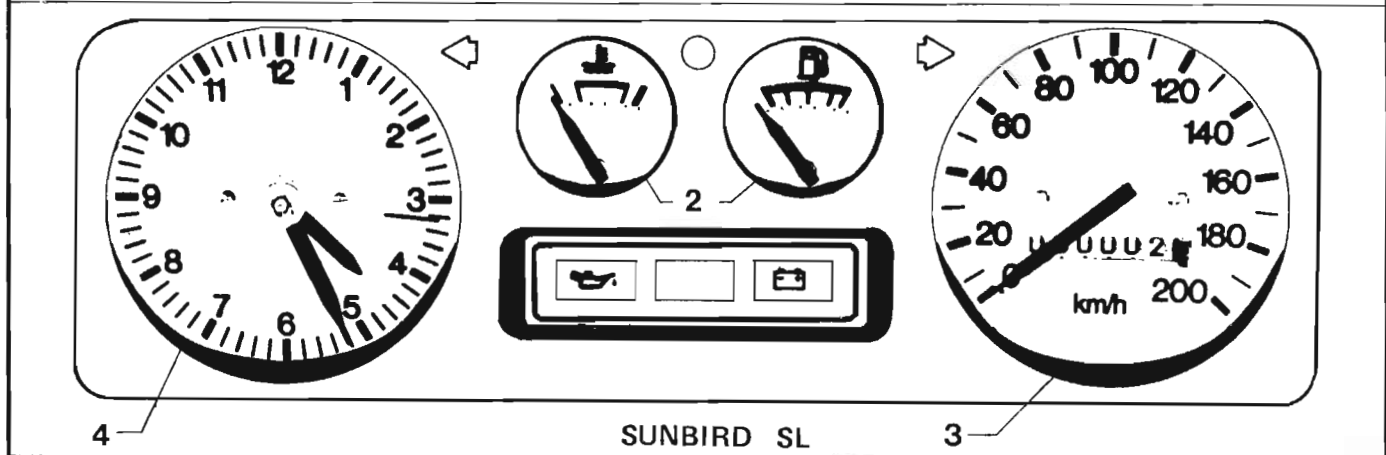
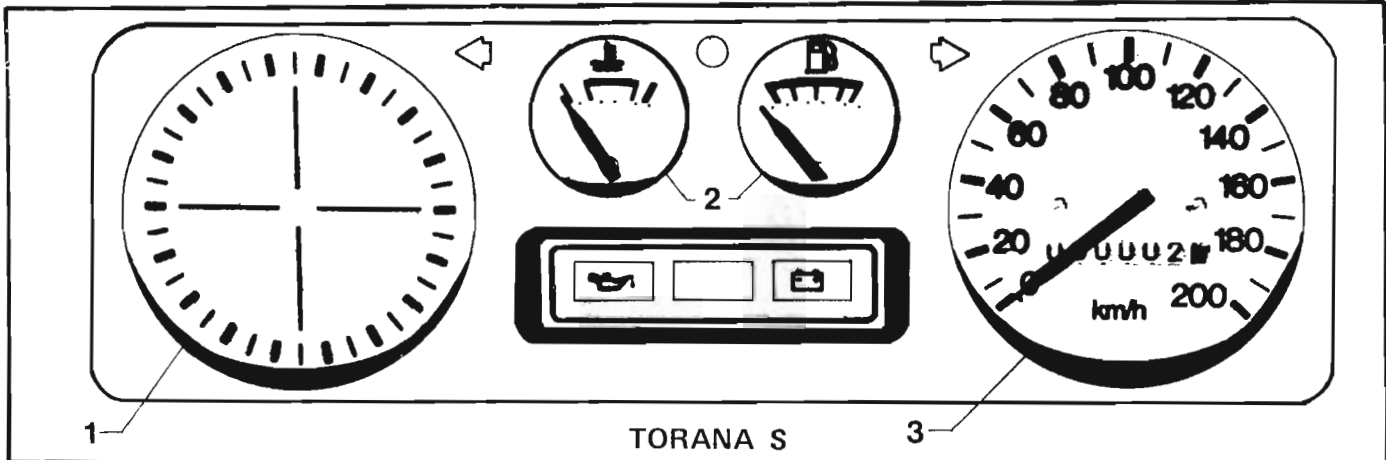


VIEW B

FUSE PANEL

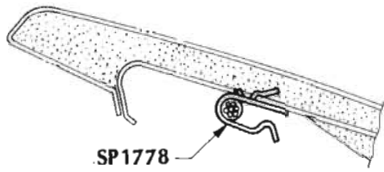
ILLUS. REF. NO.	PART NAME	GROUP
1.	SWITCH ASSEMBLY - Back-up lamp .....	2.697
2.	PLUNGER - Parking brake warning lamp switch .....	4.610
3.	SPRING - Parking brake warning lamp switch .....	4.610
4.	BODY - Parking brake warning lamp switch .....	4.610
5.	BRACKET - Fuse panel mounting .....	2.481
6.	PANEL ASSEMBLY - Fuse .....	2.481





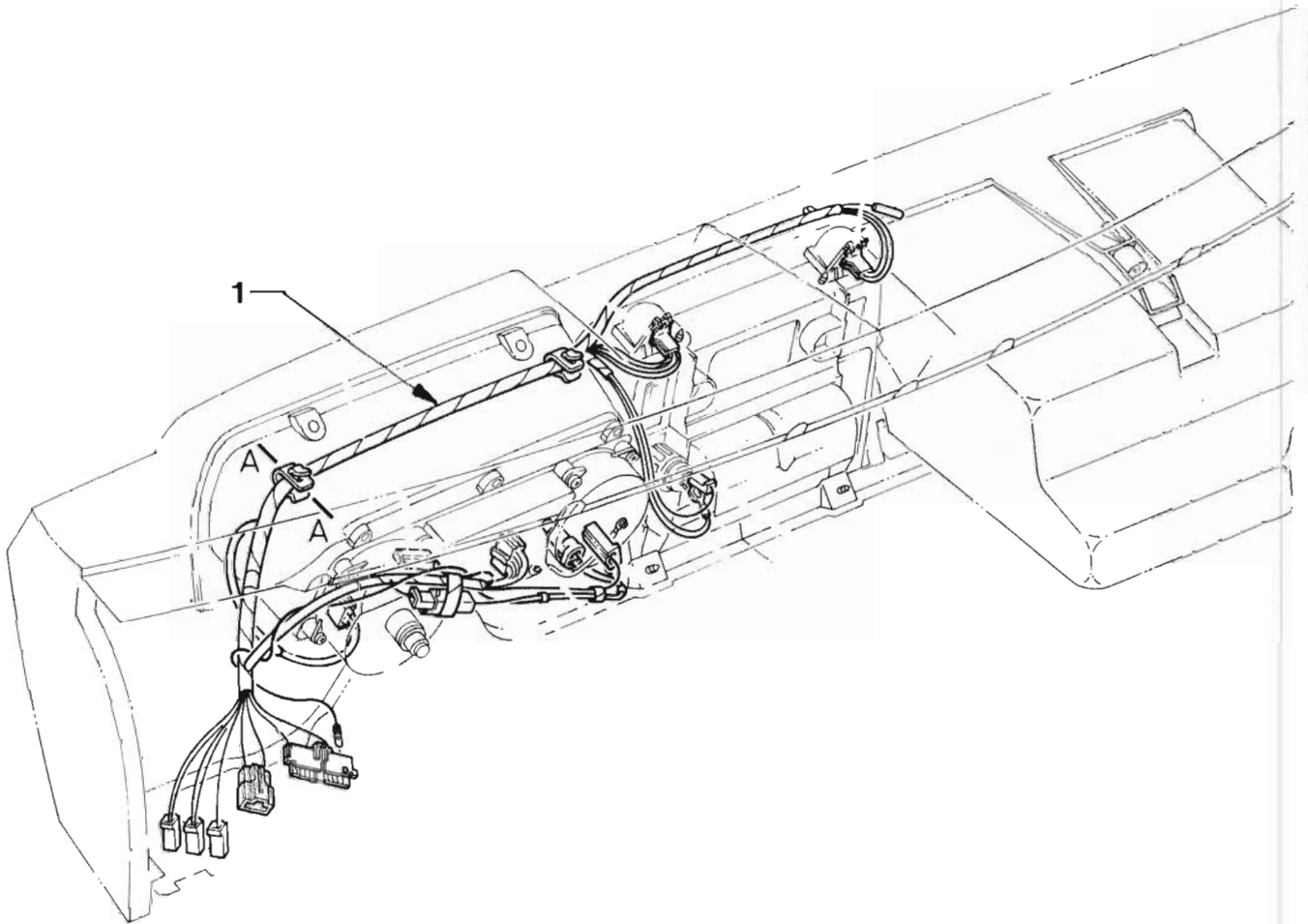
**INSTRUMENTS**

ILLUS. REF. NO.	PART NAME	GROUP
1.	EMBLEM - Mask finishing .....	2.515
2.	GAUGE ASSEMBLY - Fuel & temperature .....	2.515
3.	SPEEDOMETER ASSEMBLY .....	2.515
4.	CLOCK ASSEMBLY .....	2.515
5.	CLOCK & TACHOMETER ASSEMBLY .....	2.515
6.	GAUGE CLUSTER - Fuel, oil, temperature, voltage .....	2.515



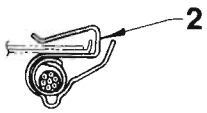
SP1778

SECTION A-A

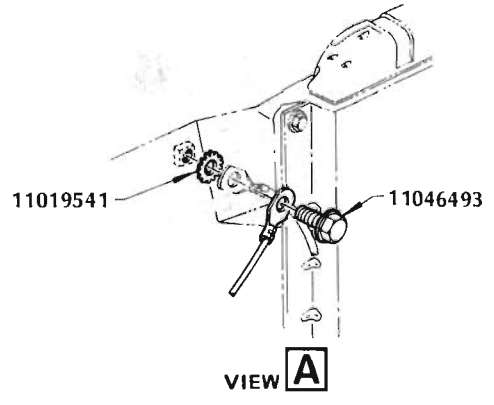
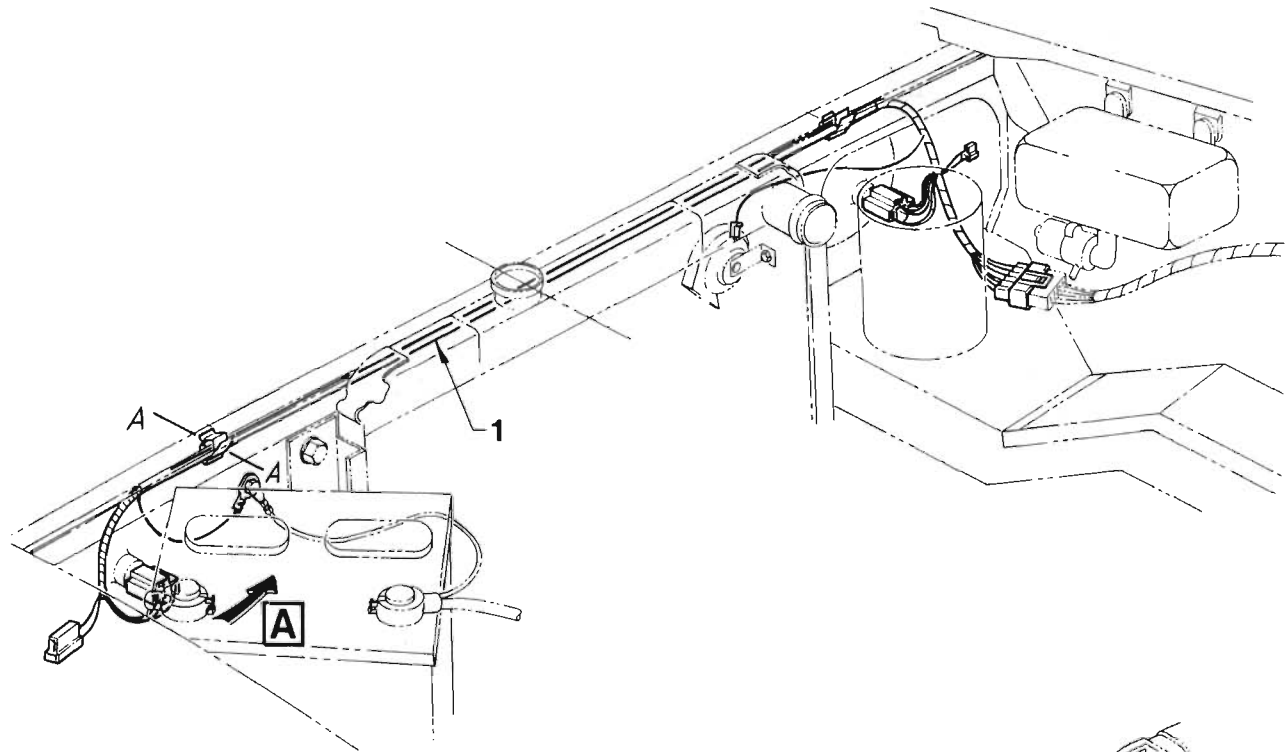


HARNESS – INSTRUMENT

ILLUS. REF. NO.	PART NAME	GROUP
1.	HARNESS ASSEMBLY .....	2.555

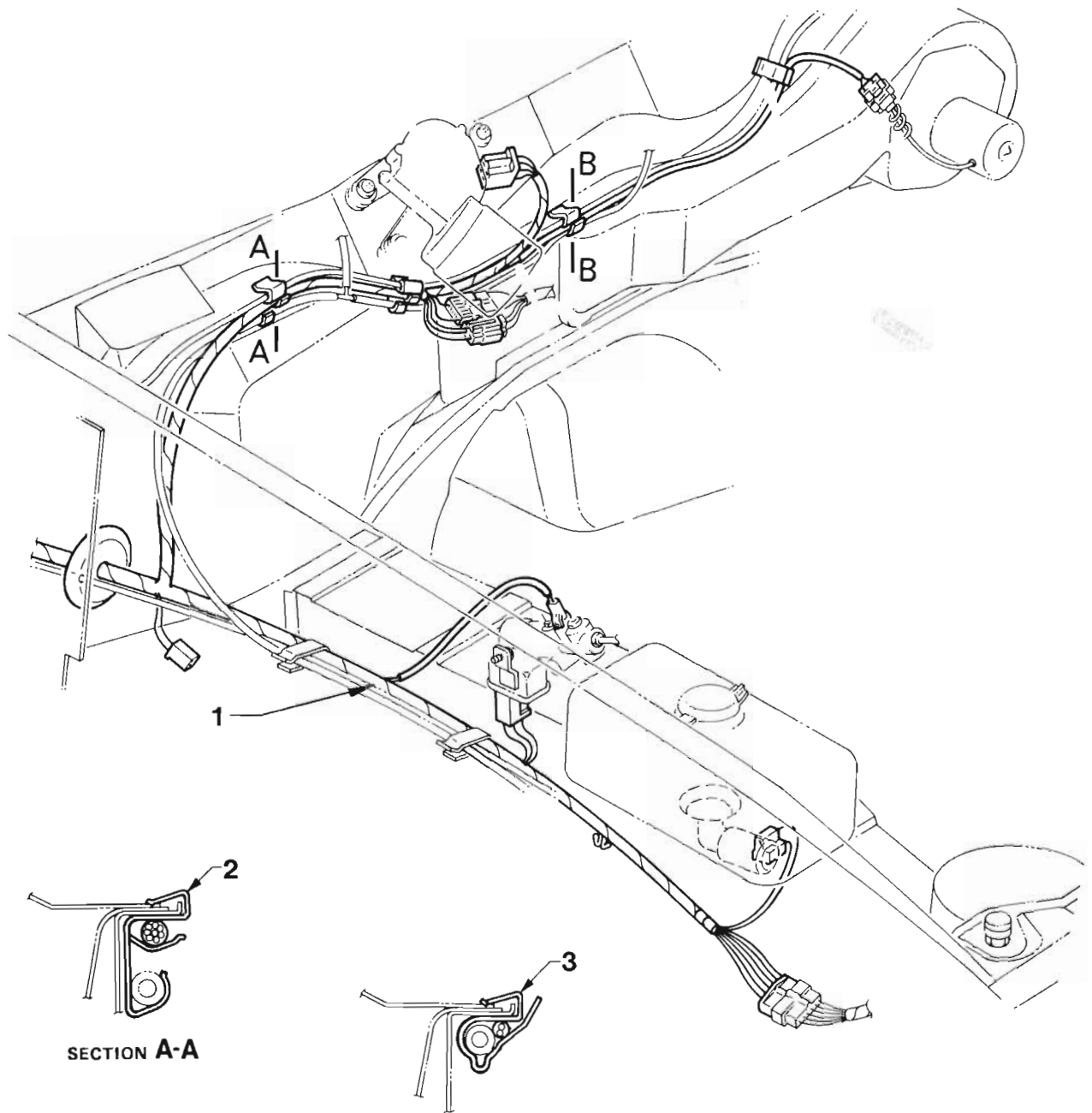


SECTION A-A



HARNESS – LIGHTING

ILLUS. REF. NO.	PART NAME	GROUP
1.	HARNESS ASSEMBLY .....	2.555
2.	CLIP – Harness to radiator support panel .....	2.555

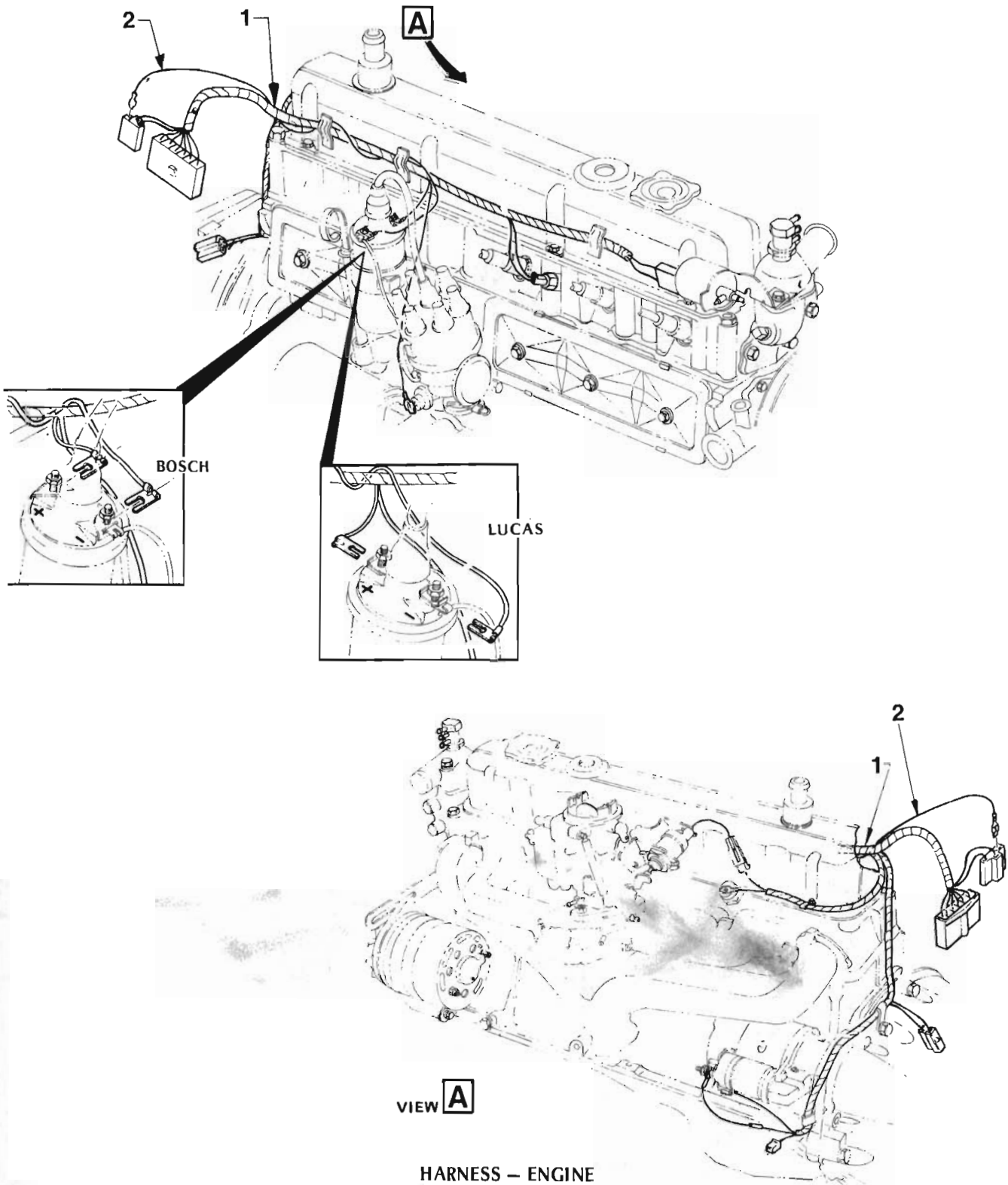


SECTION A-A

SECTION B-B

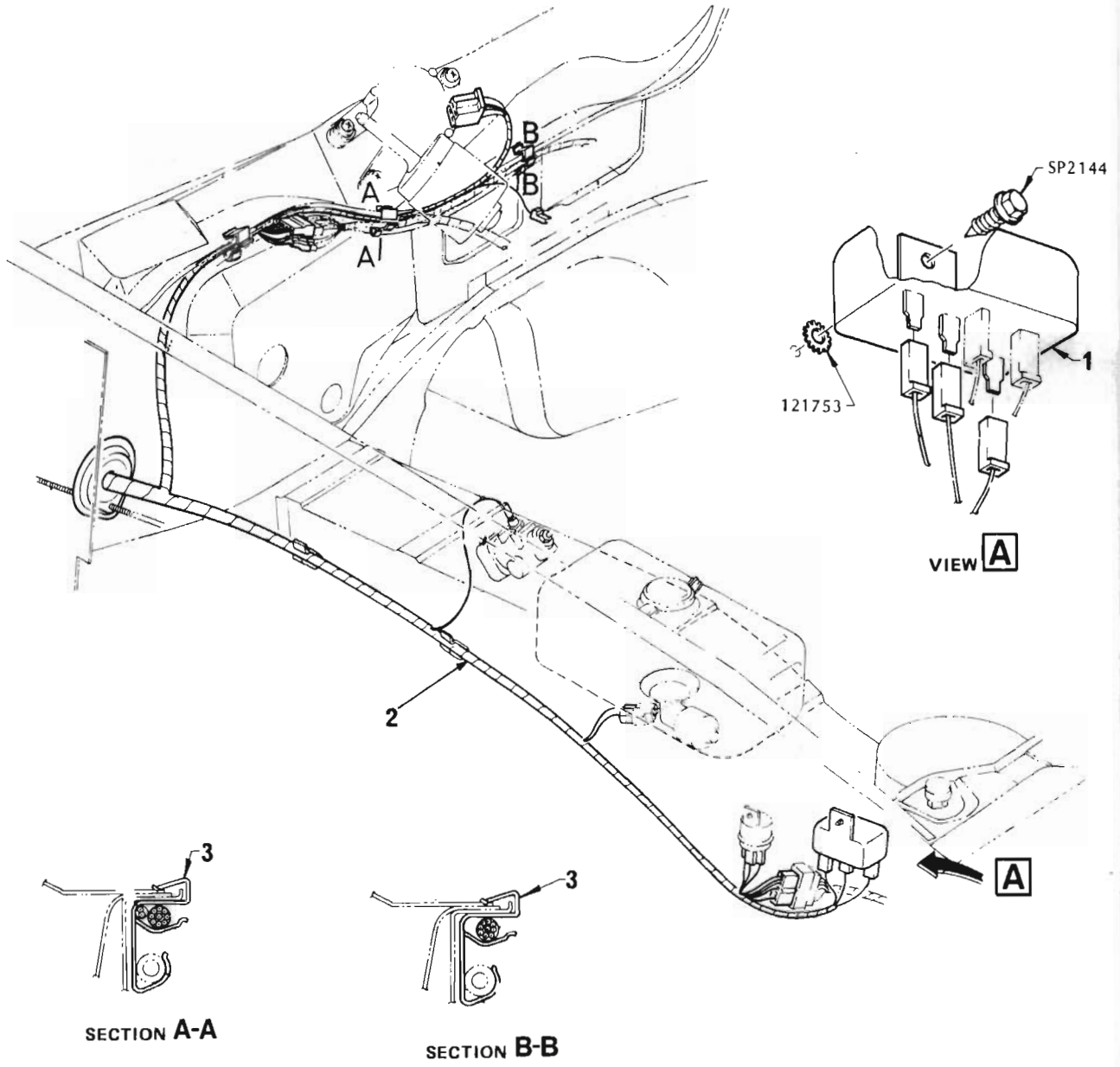
HARNESS – MAIN WIRING

ILLUS. REF. NO.	PART NAME	GROUP
1.	HARNESS ASSEMBLY .....	2.555
2.	CLIP – Harness and windscreen washer hose to dash panel .....	2.555
3.	CLIP – Harness to dash panel .....	2.555



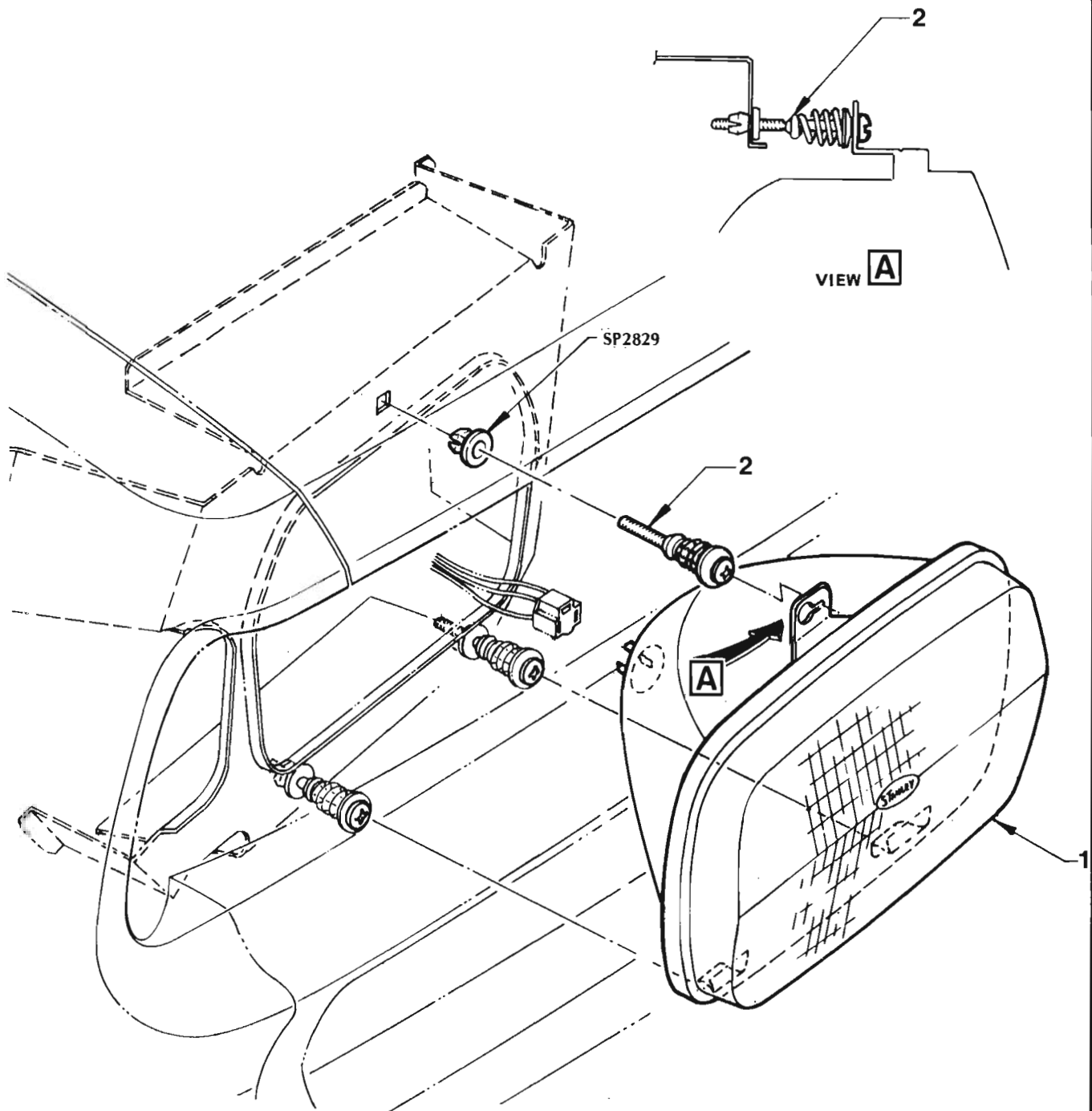
HARNESS – ENGINE

ILLUS. REF. NO.	PART NAME	GROUP
1.	HARNESS ASSEMBLY .....	2.555
2.	LEAD ASSEMBLY .....	2.520



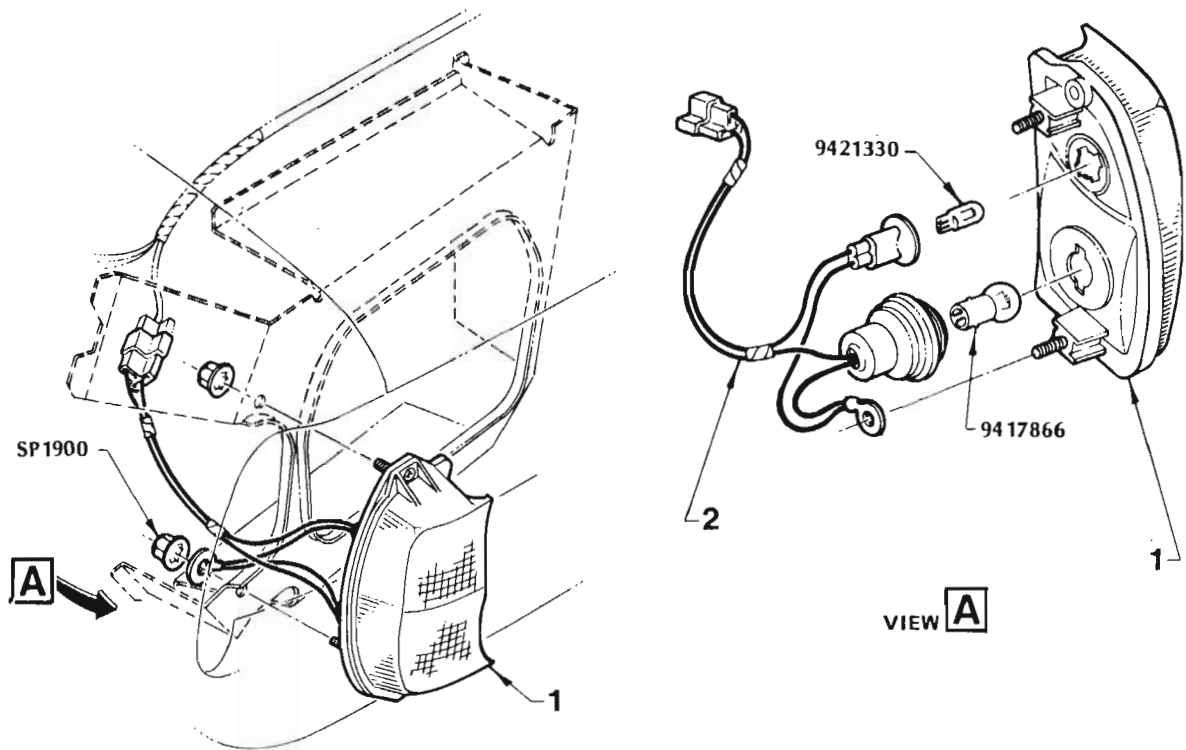
RELAY – DIMMER SWITCH

ILLUS. REF. NO.	PART NAME	GROUP
1.	RELAY ASSEMBLY – Dimmer switch .....	2.459
2.	HARNESS ASSEMBLY – Main wiring .....	2.555
3.	CLIP – Harness .....	2.555



HEADLAMP

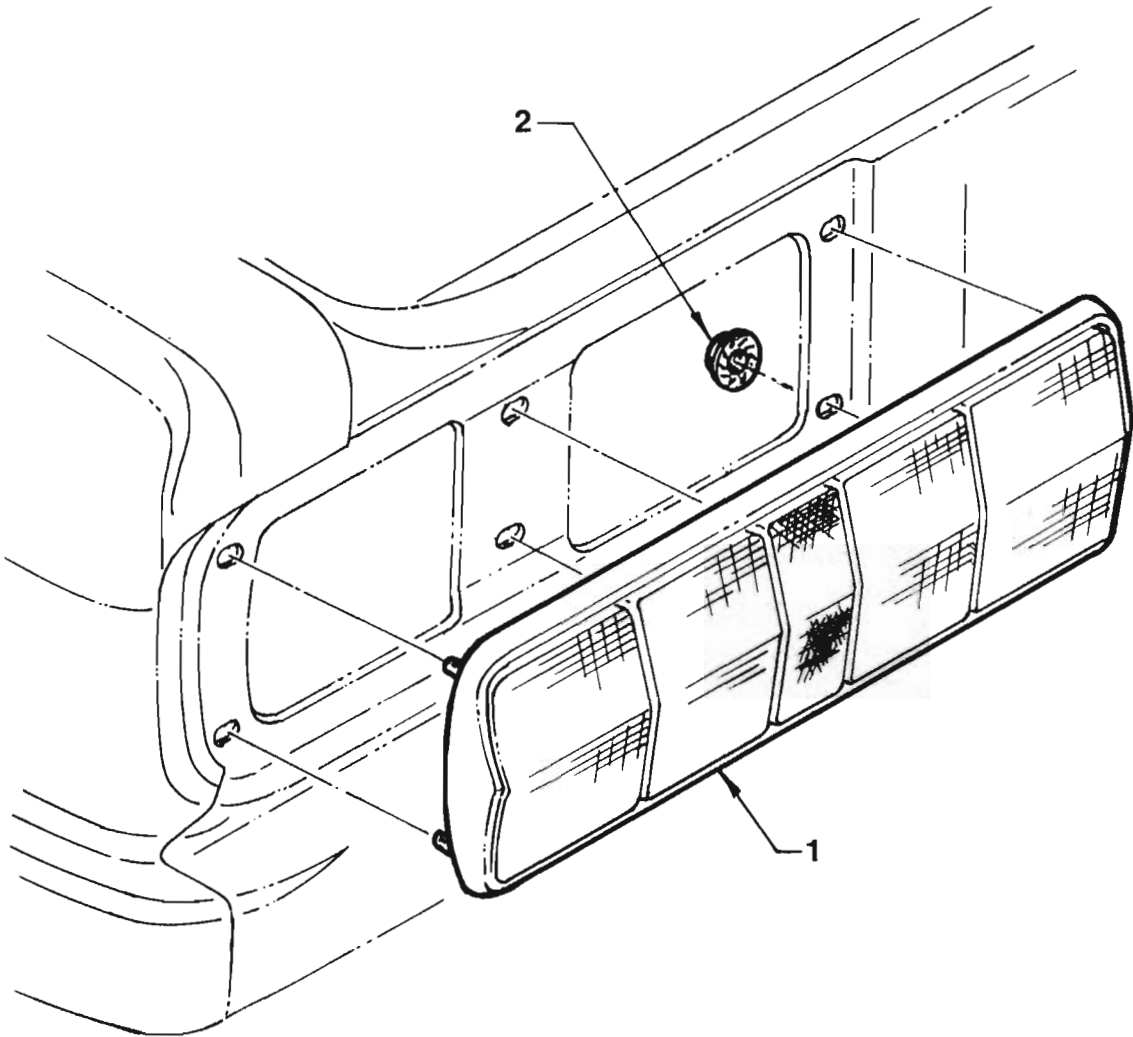
ILLUS. REF. NO.	PART NAME	GROUP
1.	SEALED BEAM UNIT .....	2.727
2.	SCREW - Head lamp adjusting .....	2.729



TURN SIGNAL LAMP

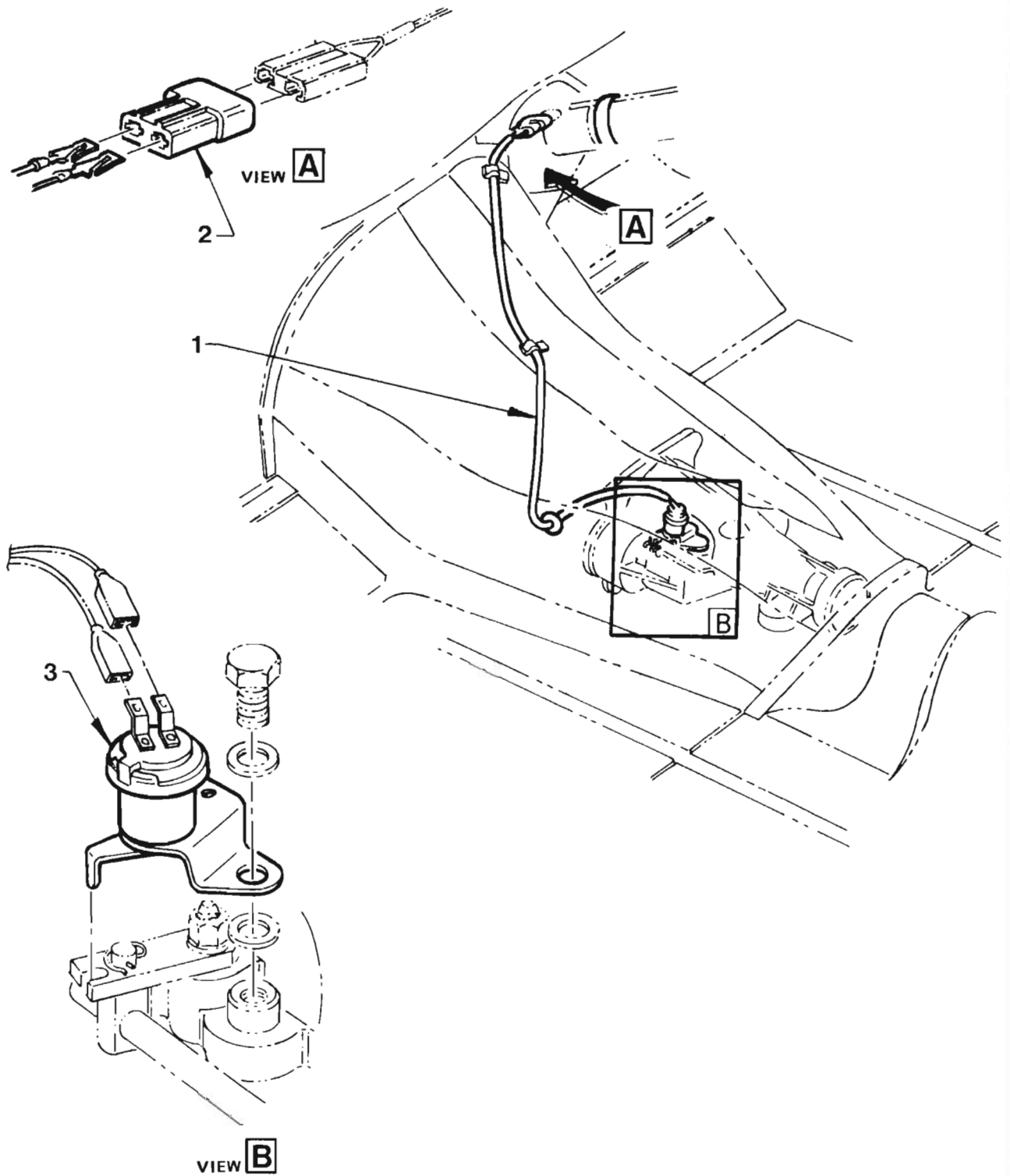
ILLUS. REF. NO.	PART NAME	GROUP
1.	LAMP ASSEMBLY .....	2.585
2.	SOCKET & LEAD ASSEMBLY .....	2.585





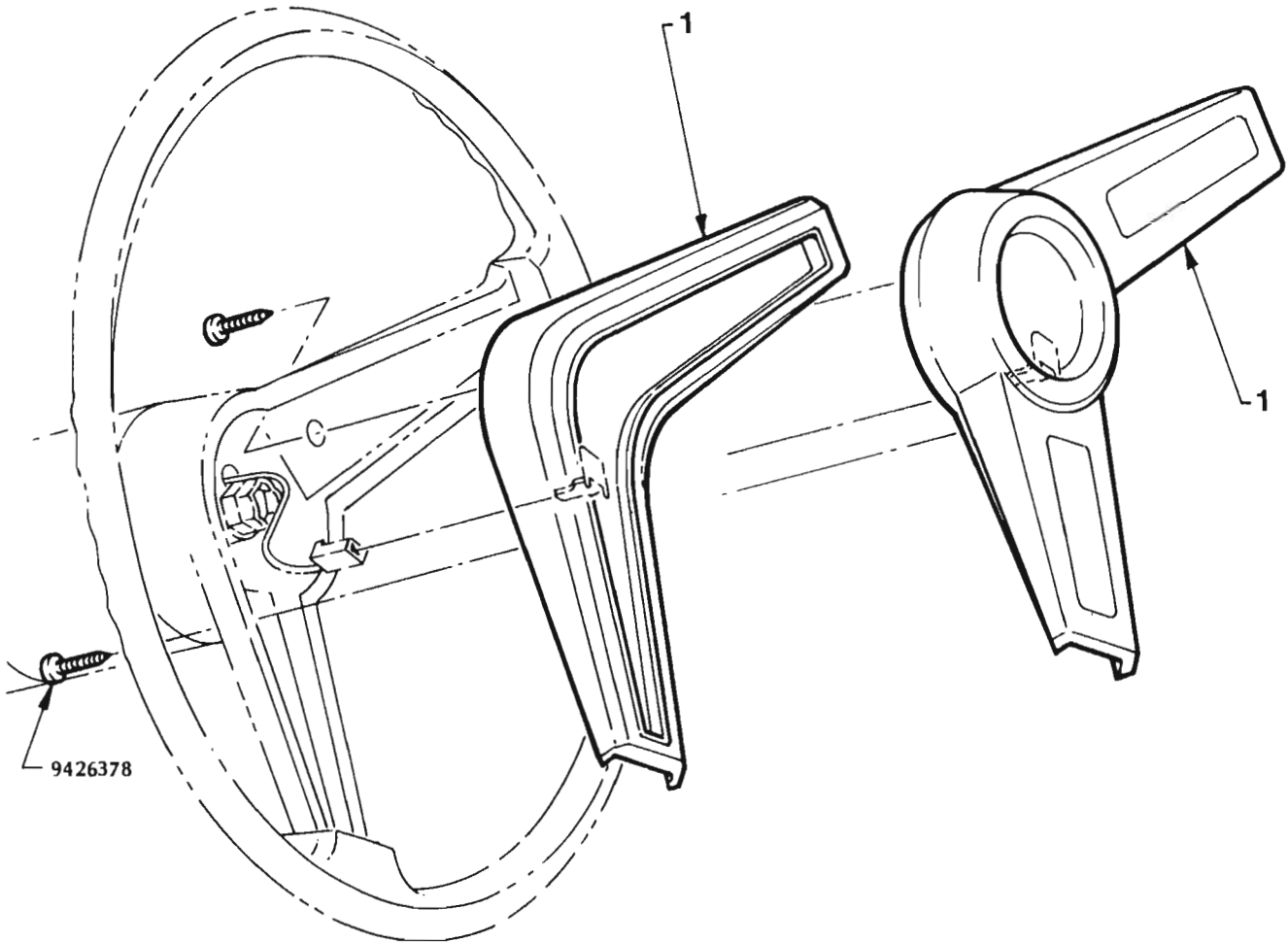
**TAIL, STOP AND TURN SIGNAL LAMP**

ILLUS. REF. NO.	PART NAME	GROUP
1.	LAMP ASSEMBLY .....	2.679
2.	NUT - Lamp to body .....	2.679



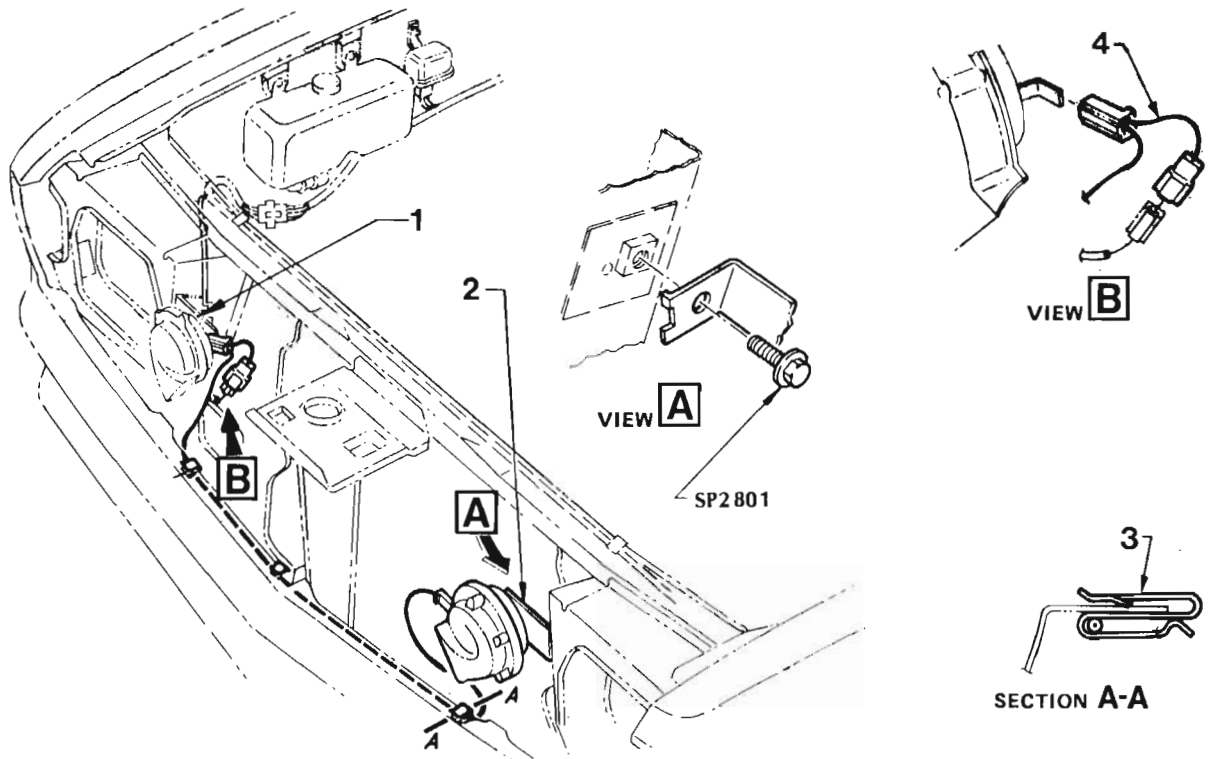
**BACK-UP LAMP SWITCH**  
**4 SPEED TRANSMISSION**  
**EXCEPT TORQUEMASTER TRANSMISSION**

ILLUS. REF. NO.	PART NAME	GROUP
1.	LEAD ASSEMBLY .....	2.697
2.	BODY - Lead .....	2.697
3.	SWITCH ASSEMBLY .....	2.697



**HORN BAR – STEERING WHEEL**

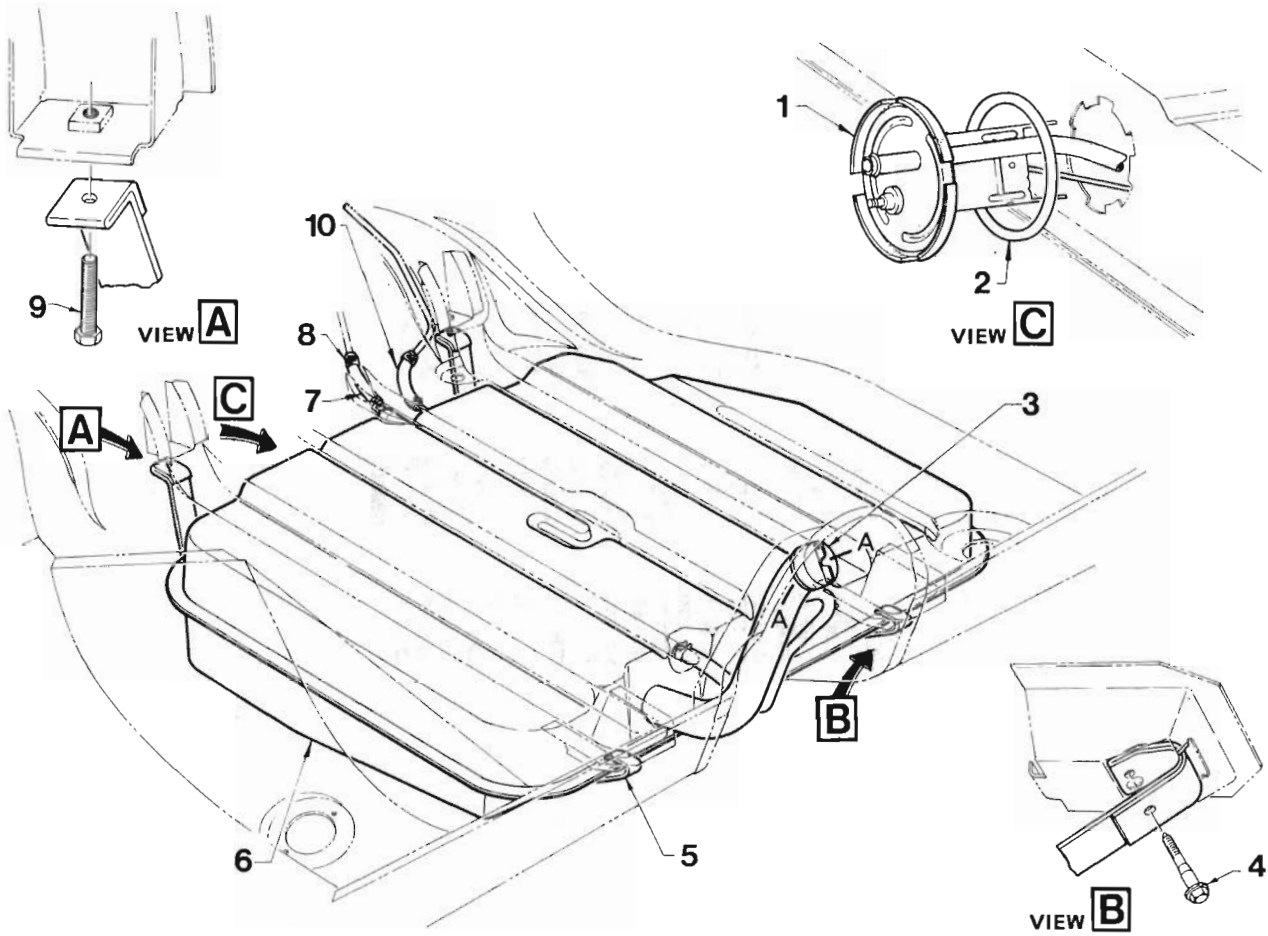
ILLUS. REF. NO.	PART NAME	GROUP
1.	BAR ASSEMBLY – Horn actuating .....	2.880



**HORNS**

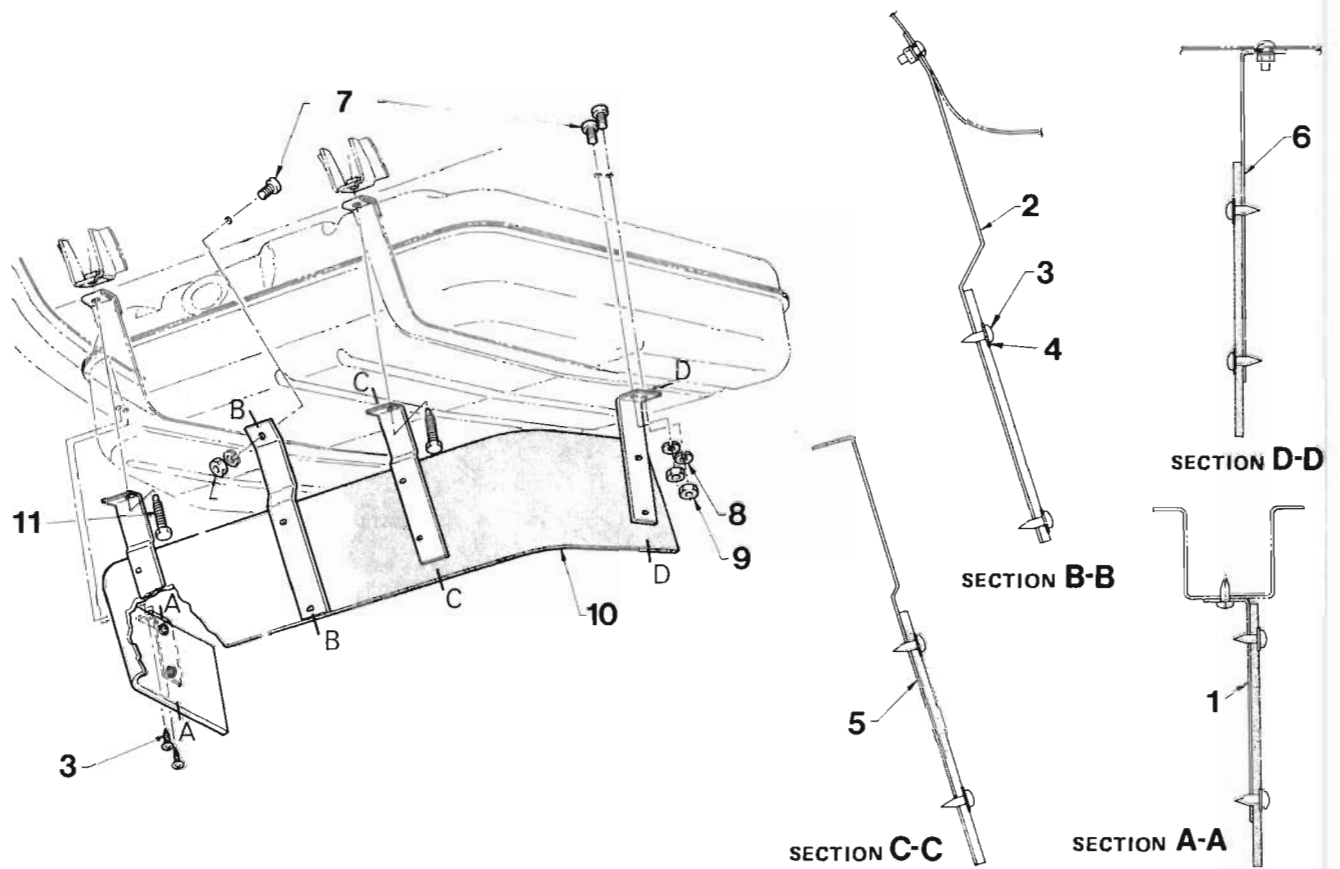
ILLUS. REF. NO.	PART NAME	GROUP
1.	HORN ASSEMBLY – Low note .....	2.810
2.	HORN ASSEMBLY – High note .....	2.810
3.	CLIP – Horn lead to valance panel .....	2.810
4.	LEAD ASSEMBLY – Low note to high note jumper .....	2.810

**GROUP 3.000**  
**FUEL – EXHAUST**  
**CARBURETTOR**



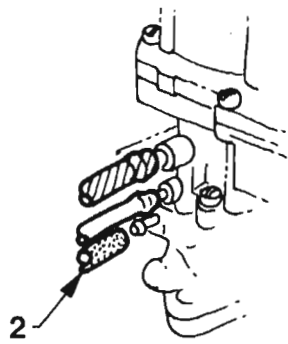
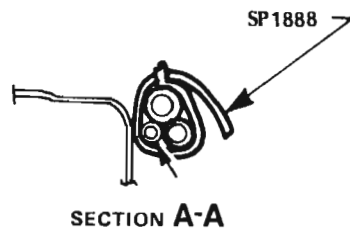
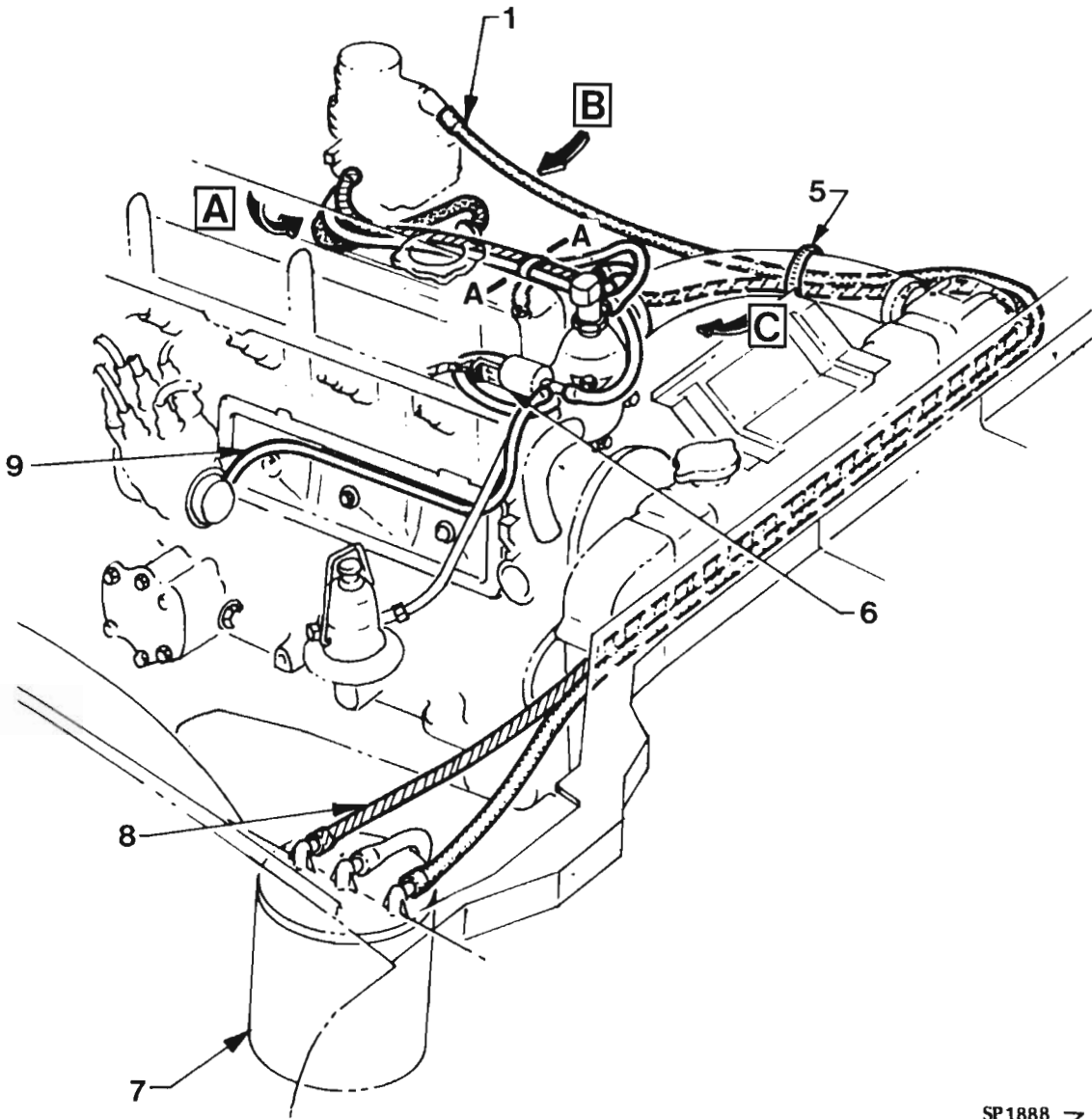
FUEL TANK

ILLUS. REF. NO.	PART NAME	GROUP
1.	GAUGE ASSEMBLY – Fuel tank unit .....	3.107
2.	SEAL – Fuel tank gauge .....	3.112
3.	CAP – Fuel tank filler .....	3.028
4.	SCREW – Rear support .....	3.001
5.	STRAP – Fuel tank support .....	3.001
6.	TANK ASSEMBLY – Fuel .....	3.001
7.	HOSE – Fuel tank to pipe .....	3.163
8.	CLAMP – Hose .....	3.163
9.	SCREW – Front support .....	3.001
10.	HOSE – Fuel tank to vapour pipe .....	3.120



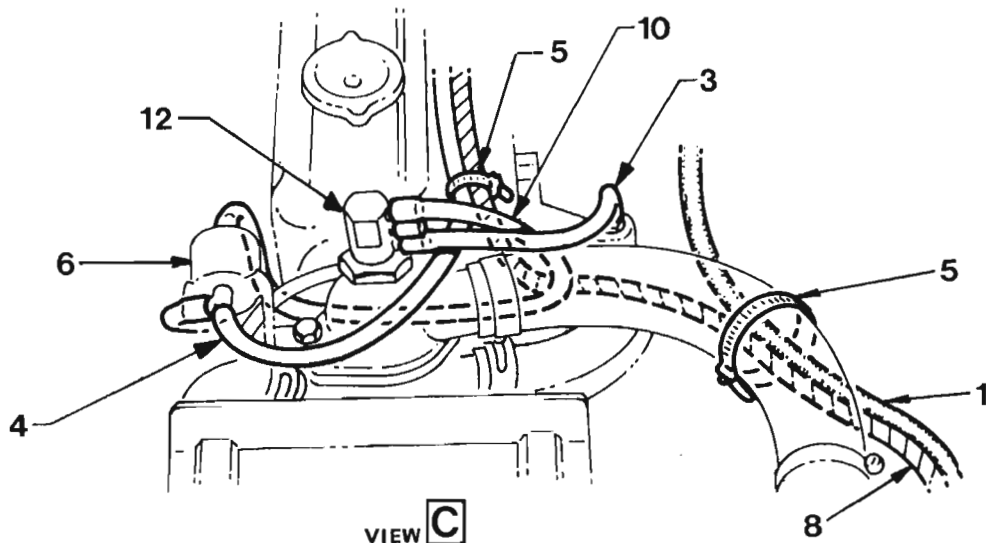
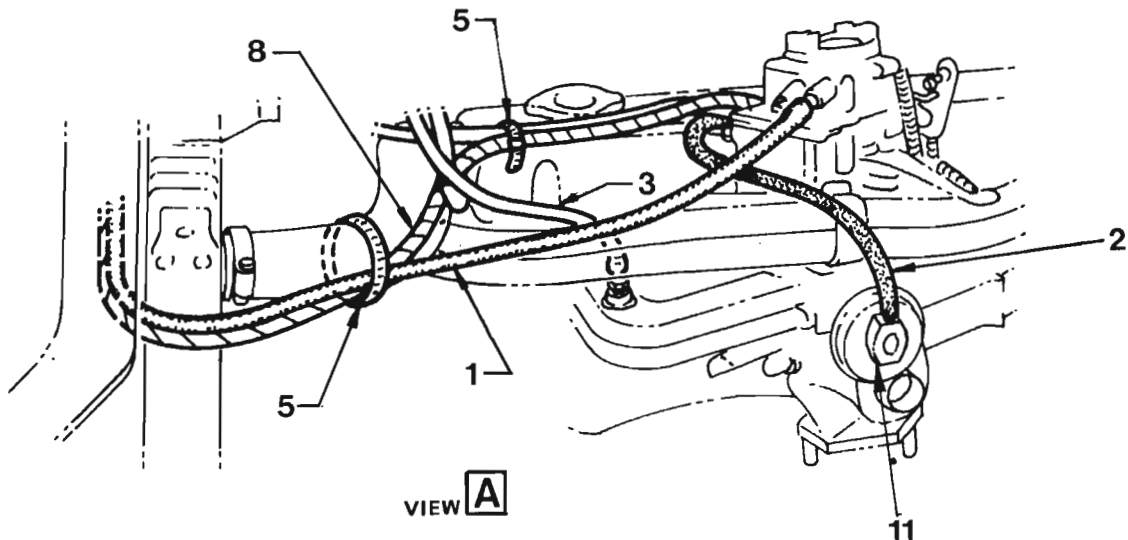
STONE GUARD – FUEL TANK

ILLUS. REF. NO.	PART NAME	GROUP
1.	BRACKET – Right hand .....	3.001
2.	BRACKET – Centre .....	3.001
3.	SCREW – Support bracket to stone guard .....	3.001
4.	WASHER – Support bracket to stone guard .....	3.001
5.	BRACKET – Front .....	3.001
6.	BRACKET – Left hand .....	3.001
7.	BOLT – Bracket to underbody .....	3.001
8.	WASHER – Bracket to underbody .....	3.001
9.	NUT – Bracket to underbody .....	3.001
10.	STONE GUARD .....	3.001
11.	SCREW – Front support .....	3.001



VIEW **B**





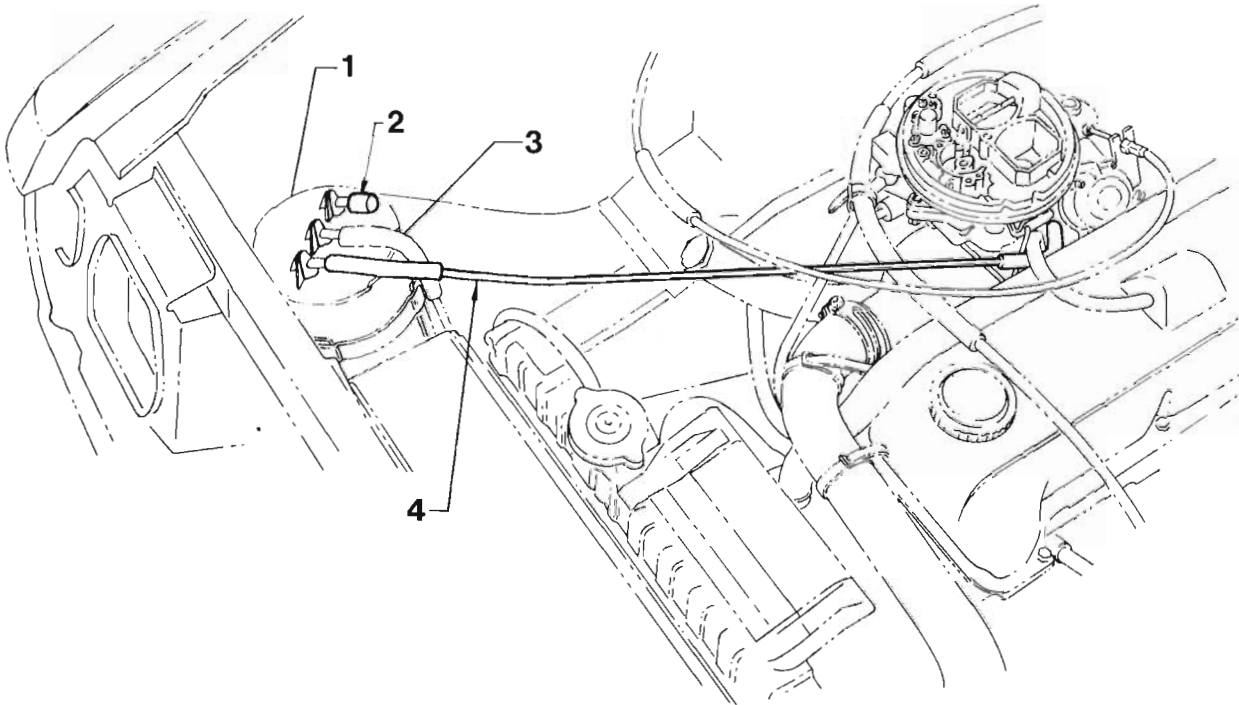
HOSES

WITH EVAPORATIVE AND EXHAUST EMISSION CONTROL

6 CYLINDER ENGINE

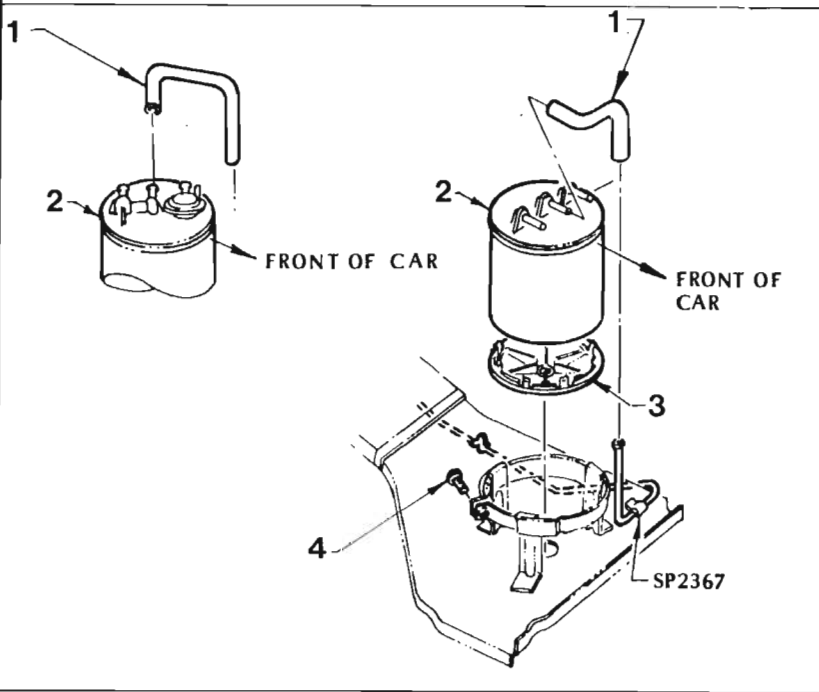
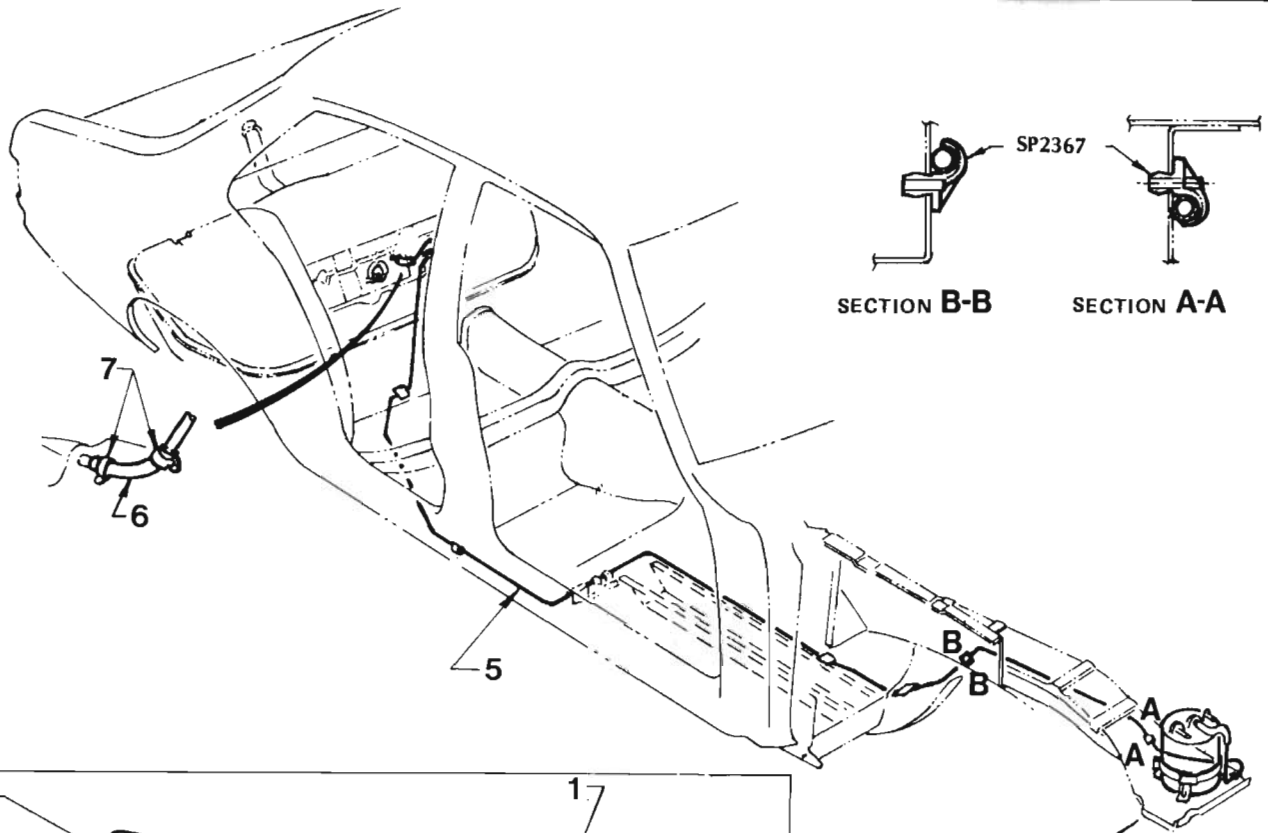
ILLUSTRATION ABOVE & OPPOSITE

ILLUS. REF. NO.	PART NAME	GROUP
1.	HOSE - Canister to fuel bowl vent .....	3.120
2.	HOSE - Carburettor to exhaust gas recirculation valve ..	3.670
3.	HOSE - Manifold to thermal vacuum switch .....	1.150
4.	HOSE - Carburettor to T.C.S. spark switch solenoid .....	2.424
5.	STRAP - Hose securing .....	3.120
6.	VALVE - Switch solenoid T.C.S .....	2.408
7.	CANISTER - Vapour .....	3.130
8.	HOSE - Canister to carburettor purge port .....	3.120
9.	HOSE - Distributor to T.C.S. spark switch solenoid .....	2.424
10.	HOSE - Thermal vacuum switch to T.C.S. spark switch solenoid .....	1.150
11.	VALVE - Exhaust gas recirculation .....	3.670
12.	SWITCH - Thermal vacuum .....	1.150



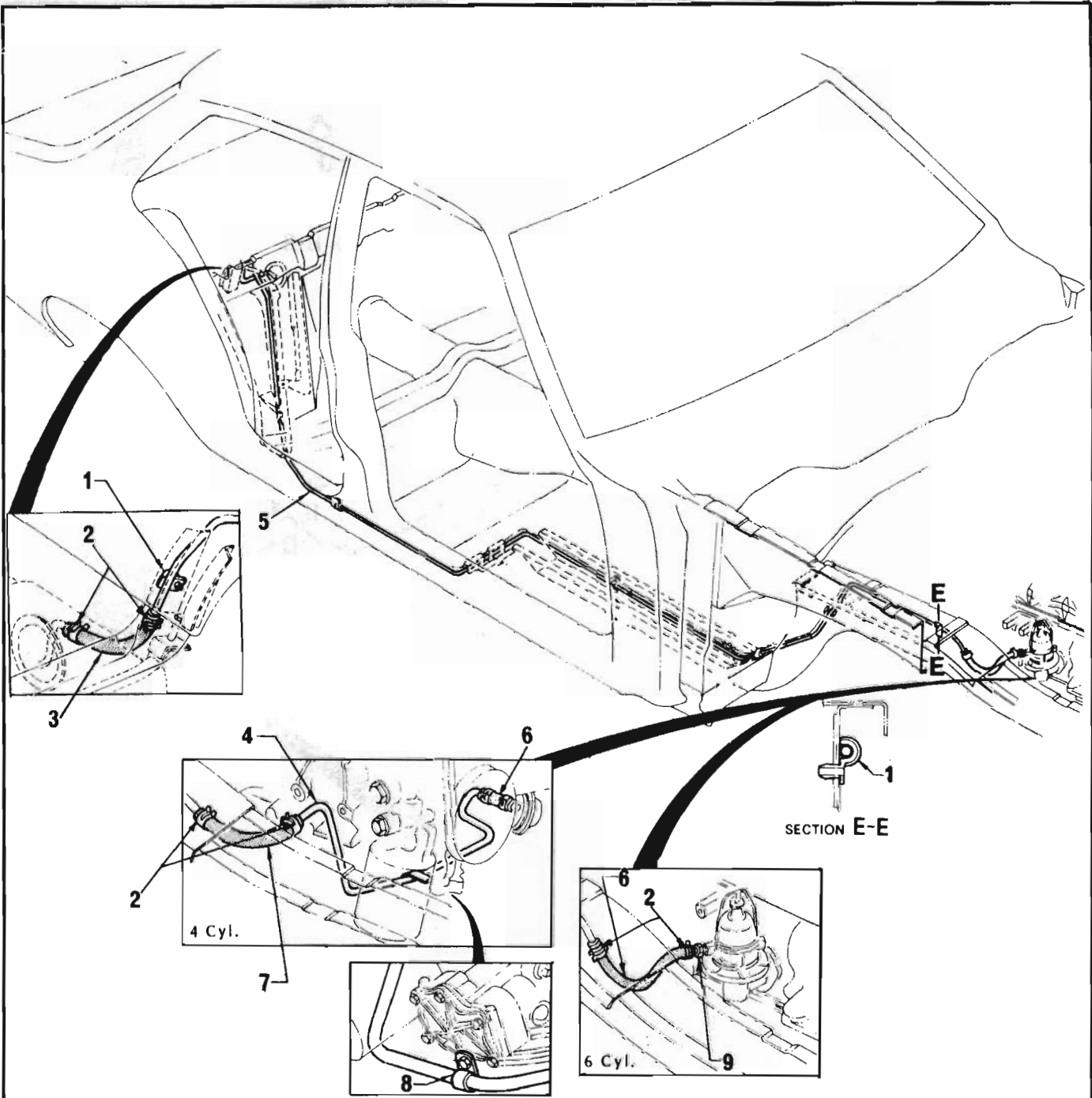
**HOSES – EMISSION CONTROL SYSTEM**  
**WITH EVAPORATIVE AND EXHAUST EMISSION CONTROL**  
**OPEL – 4 CYLINDER ENGINE**

ILLUS. REF. NO.	PART NAME	GROUP
1.	CANISTER – Emission control .....	3.130
2.	CAP – Canister sealing .....	3.130
3.	HOSE – Vapour pipe .....	3.120
4.	HOSE HARNESS .....	3.120



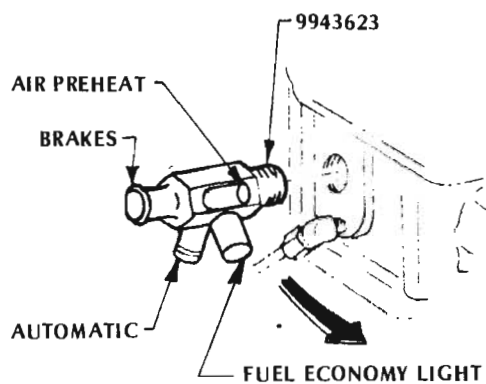
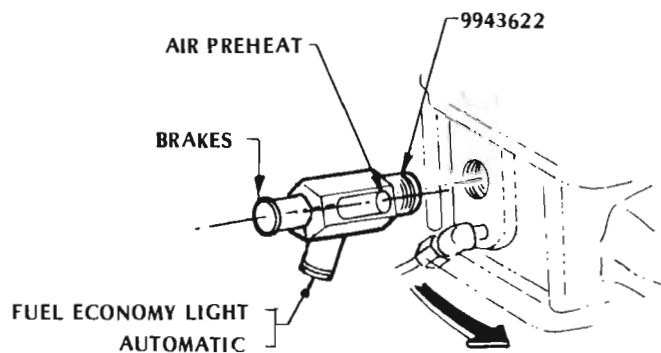
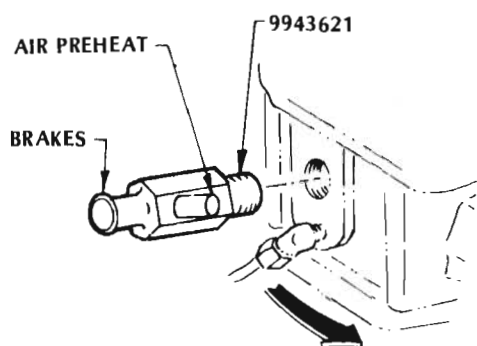
PIPES AND HOSES  
EVAPORATIVE EMISSION CONTROL

ILLUS. REF. NO.	PART NAME	GROUP
1.	HOSE - Vapour pipe to canister .....	3.120
2.	CANISTER .....	3.130
3.	CAP - Canister drain .....	3.130
4.	SCREW - Canister securing .....	3.130
5.	PIPE - Fuel tank to canister .....	3.120
6.	HOSE - Fuel tank to vapour pipe .....	3.120
7.	CLAMP - Hose to vapour pipe .....	3.120

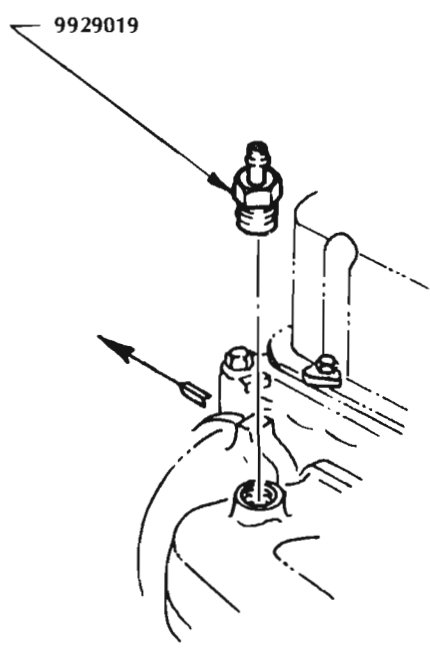
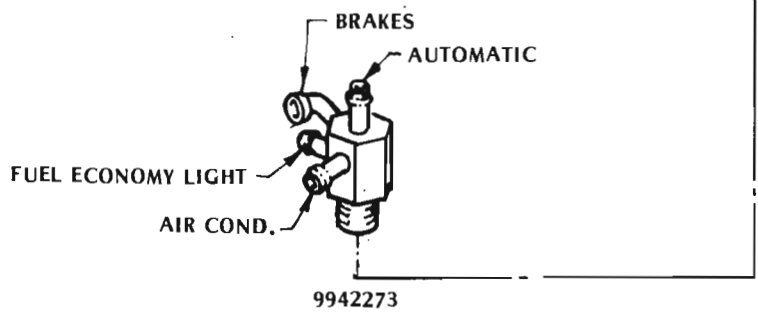
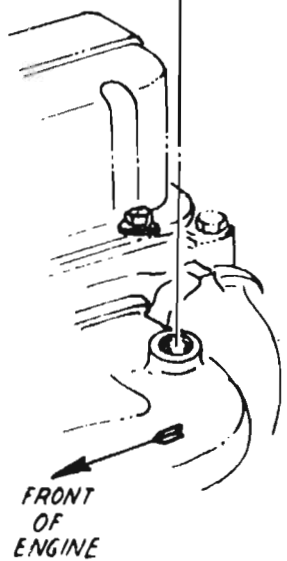
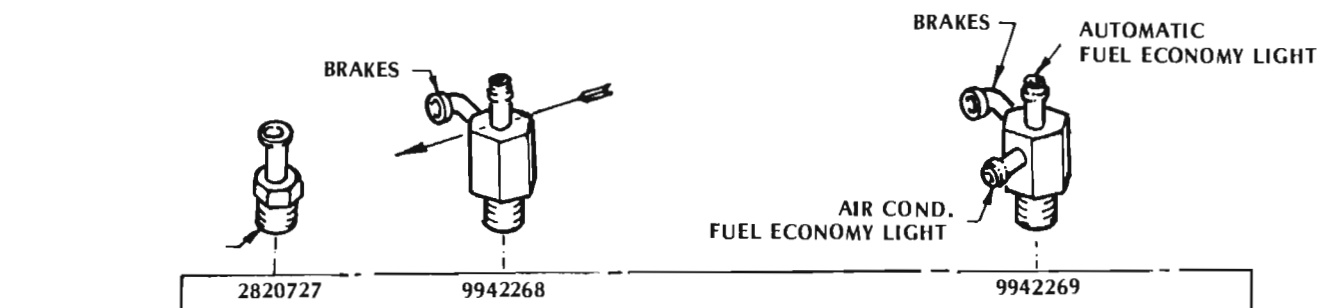


FUEL LINES

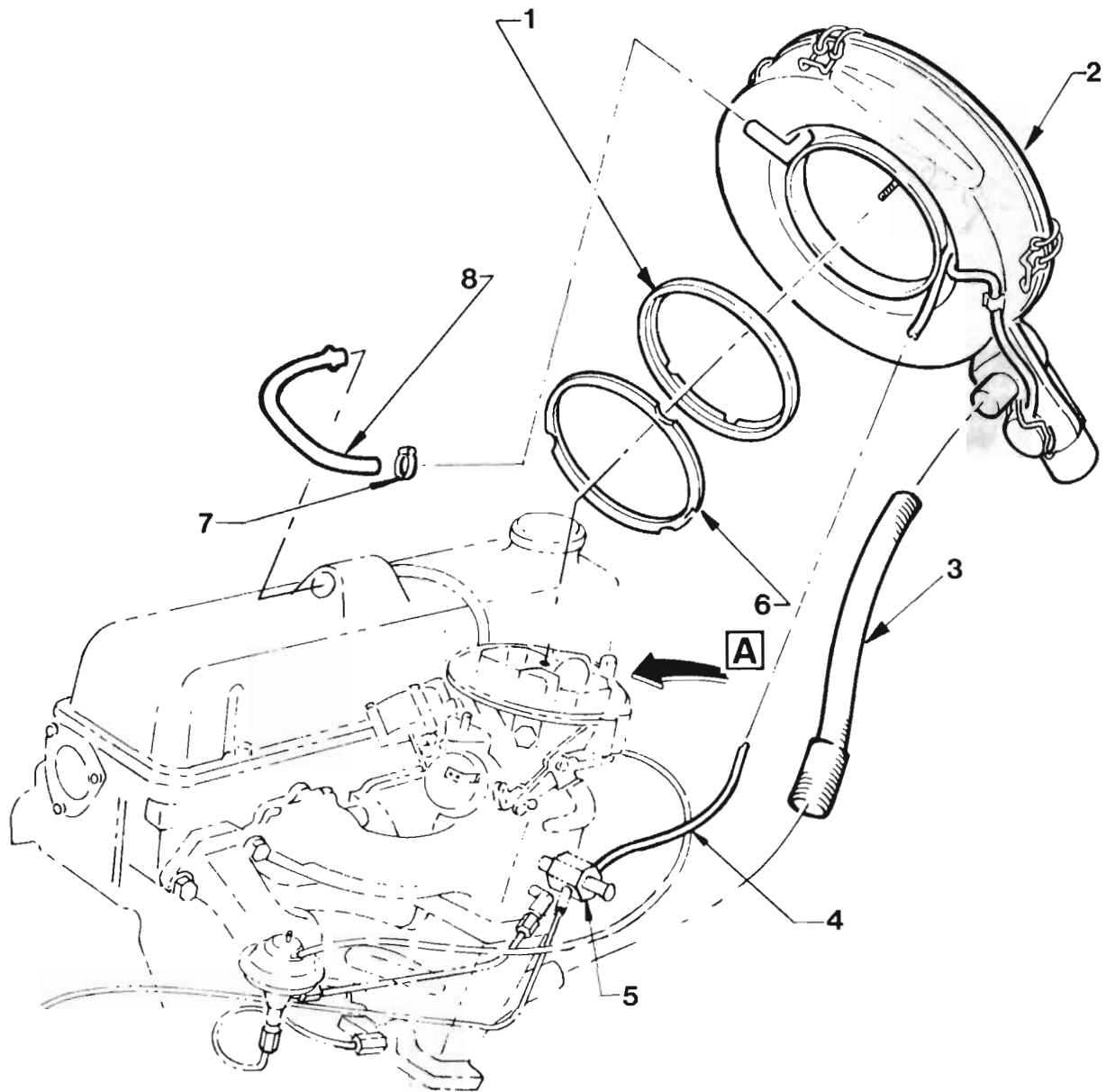
ILLUS. REF. NO.	PART NAME	GROUP
1.	CLIP – Fuel pipe .....	3.158
2.	CLAMP – Hose .....	3.163
3.	HOSE – Fuel pipe to tank .....	3.163
4.	PIPE – Fuel auxiliary .....	3.158
5.	PIPE – Fuel tank to pump .....	3.158
6.	HOSE – Fuel pipe to pump .....	3.163
7.	HOSE – Fuel pipe to auxiliary fuel pipe .....	3.163
8.	CLIP – Fuel pipe to oil pump .....	3.202
9.	CONNECTOR – Fuel hose to pump .....	3.163



**VACUUM ADAPTORS**  
**OPEL - 4 CYLINDER ENGINE**  
**REFER GROUP 3.265**

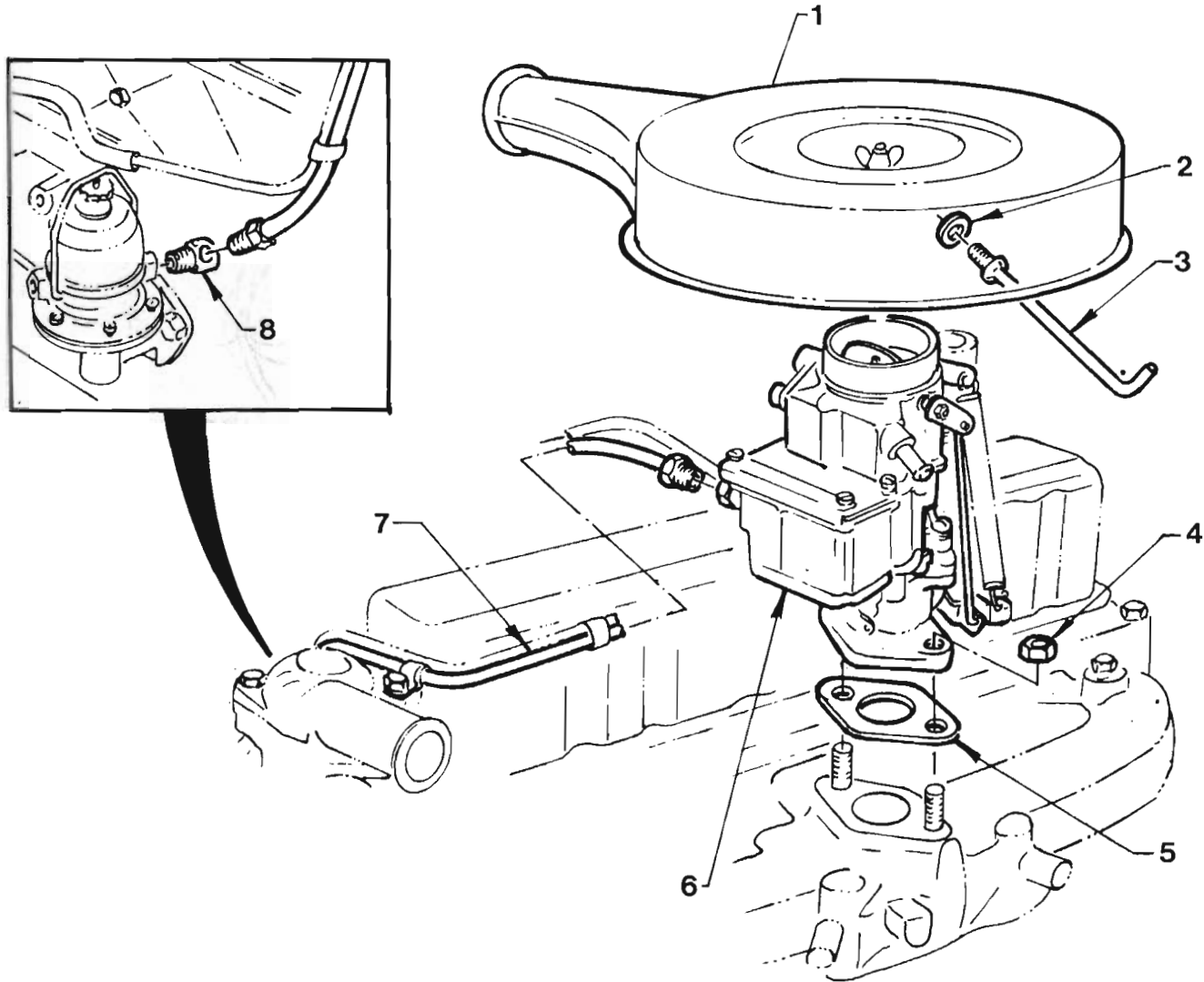


VACUUM ADAPTORS  
6 CYLINDER ENGINE  
REFER GROUP 3.265



**AIR CLEANER**  
**OPEL - 4 CYLINDER ENGINE**

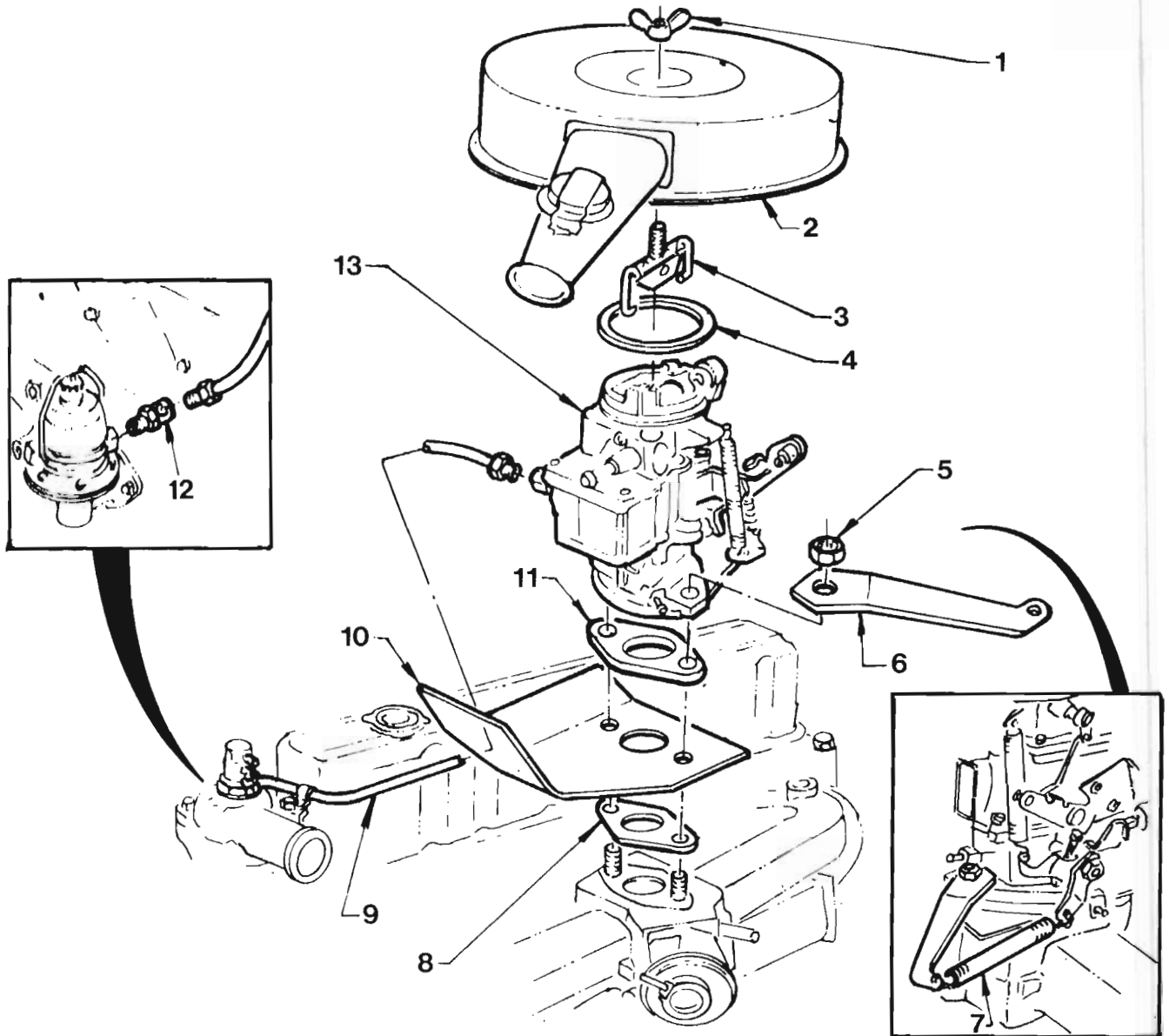
ILLUS. REF. NO.	PART NAME	GROUP
1.	INSULATOR - Rubber .....	3.403
2.	AIR CLEANER & SILENCER ASSEMBLY .....	3.402
3.	HOSE - Stove to air cleaner .....	3.417
4.	HOSE - Vacuum source to air cleaner .....	3.415
5.	ADAPTOR - Vacuum source .....	3.265
6.	RING - Support .....	3.403
7.	CLAMP - Engine breather hose .....	1.762
8.	HOSE - Engine breather .....	1.762



**CARBURETTOR AND AIR CLEANER  
WITHOUT EXHAUST EMISSION CONTROL  
6 CYLINDER ENGINE**

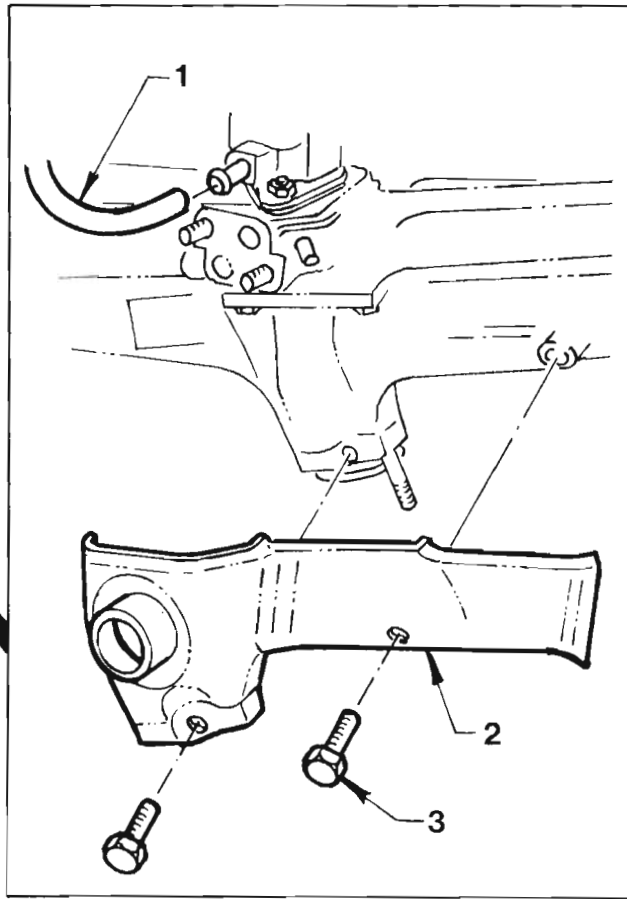
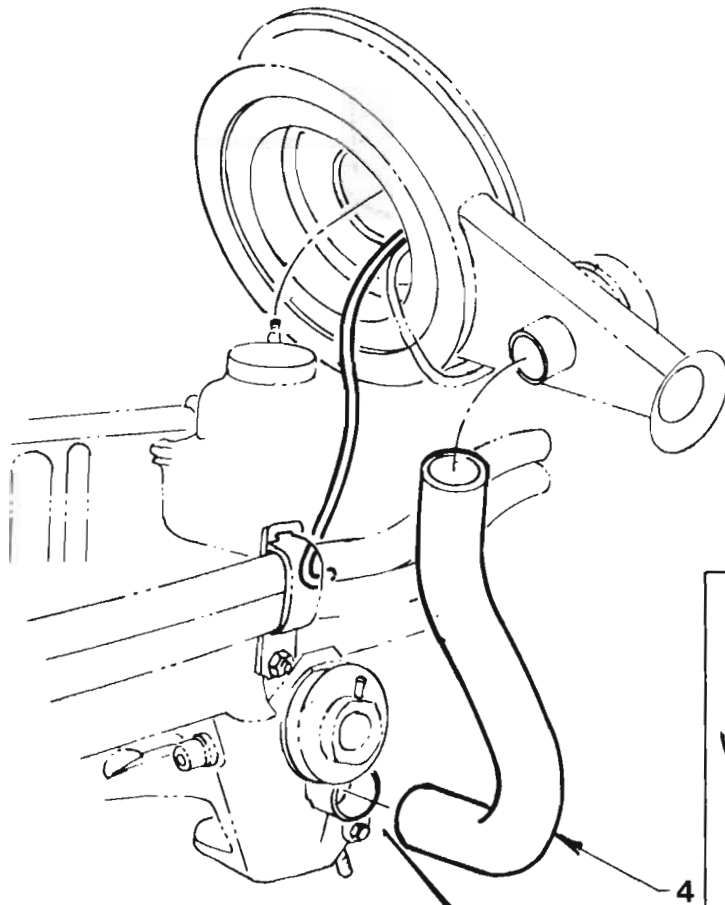
ILLUS. REF. NO.	PART NAME	GROUP
1.	AIR CLEANER & SILENCER ASSEMBLY .....	3.402
2.	WASHER .....	3.403
3.	ROD .....	3.403
4.	NUT .....	3.288
5.	GASKET .....	3.749
6.	CARBURETTOR ASSEMBLY .....	3.725
7.	PIPE - Carburettor fuel .....	3.201
8.	ELBOW - Fuel pipe to pump .....	3.202





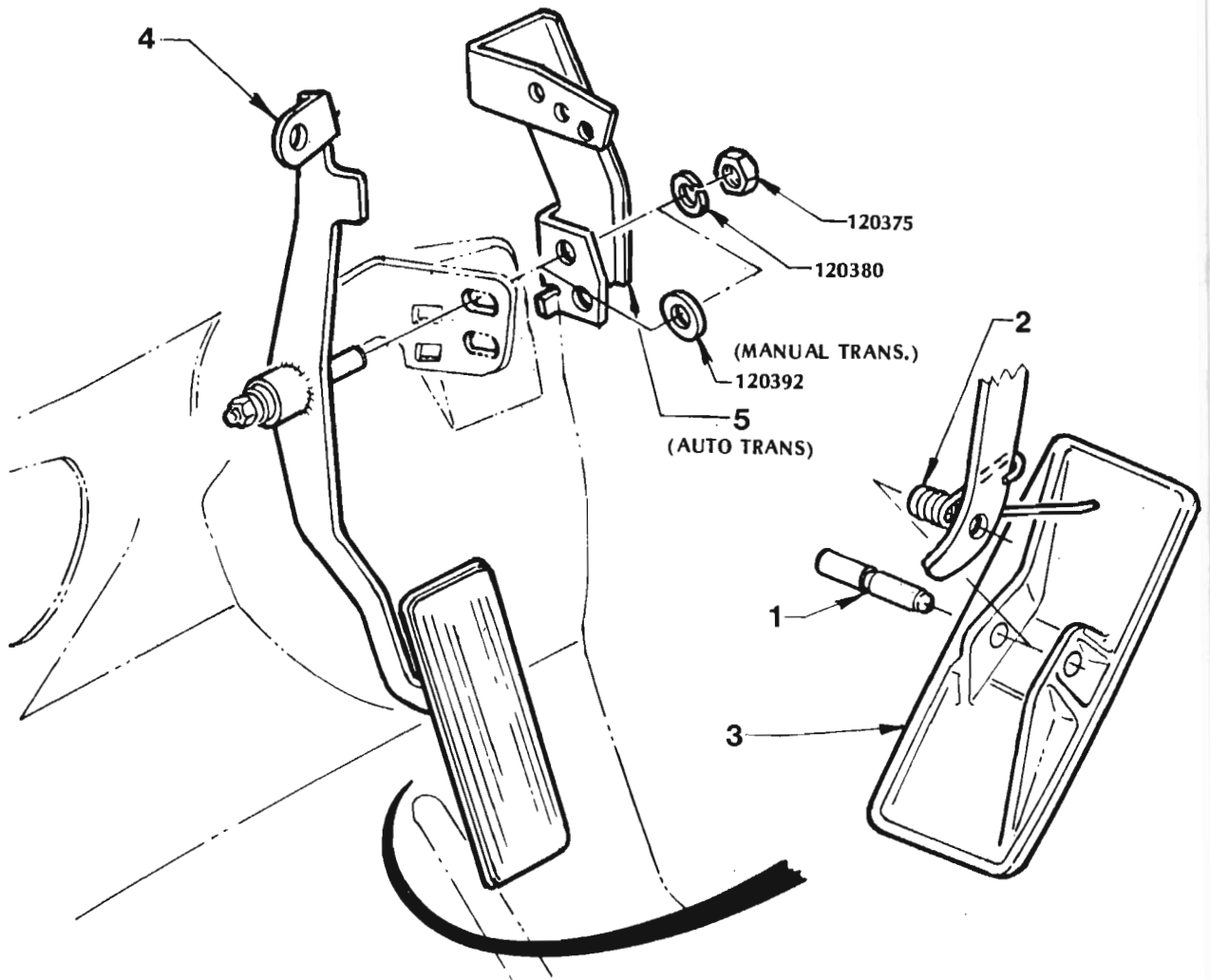
**CARBURETTOR AND AIR CLEANER  
WITH EVAPORATIVE & EXHAUST EMISSION CONTROL  
6 CYLINDER ENGINE**

ILLUS. REF. NO.	PART NAME	GROUP
1.	NUT - Wing .....	3.403
2.	AIR CLEANER & SILENCER ASSEMBLY .....	3.402
3.	BRIDGE ASSEMBLY .....	3.403
4.	GASKET - Air cleaner .....	3.403
5.	NUT - Carburettor to manifold .....	3.288
6.	BRACKET - Return spring .....	3.459
7.	SPRING - Return .....	3.459
8.	GASKET - Carburettor to manifold .....	3.749
9.	HOSE - Fuel pipe to pump .....	3.163
10.	SHIELD .....	3.726
11.	GASKET .....	3.749
12.	ELBOW - Fuel pipe to pump .....	3.202
13.	CARBURETTOR ASSEMBLY .....	3.725



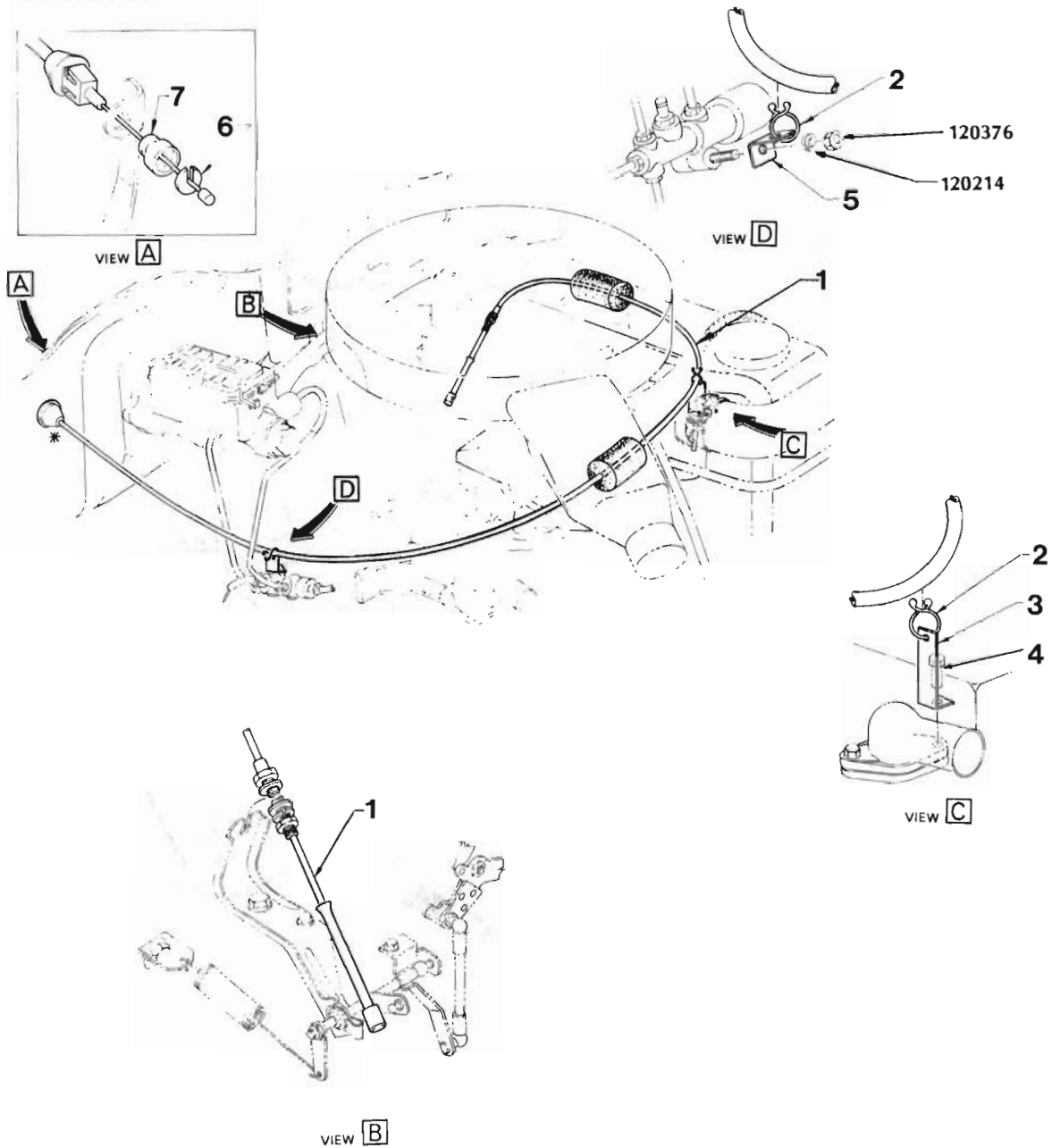
**AIR PRE-HEAT SYSTEM  
6 CYLINDER ENGINE**

ILLUS. REF. NO.	PART NAME	GROUP
1.	HOSE - Carburettor to thermal valve .....	3.415
2.	STOVE ASSEMBLY .....	3.417
3.	BOLT - Stove to manifold .....	3.417
4.	HOSE - Stove to air cleaner .....	3.417



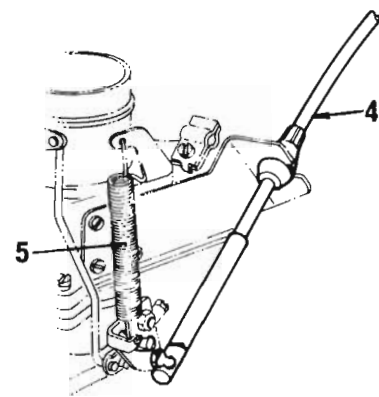
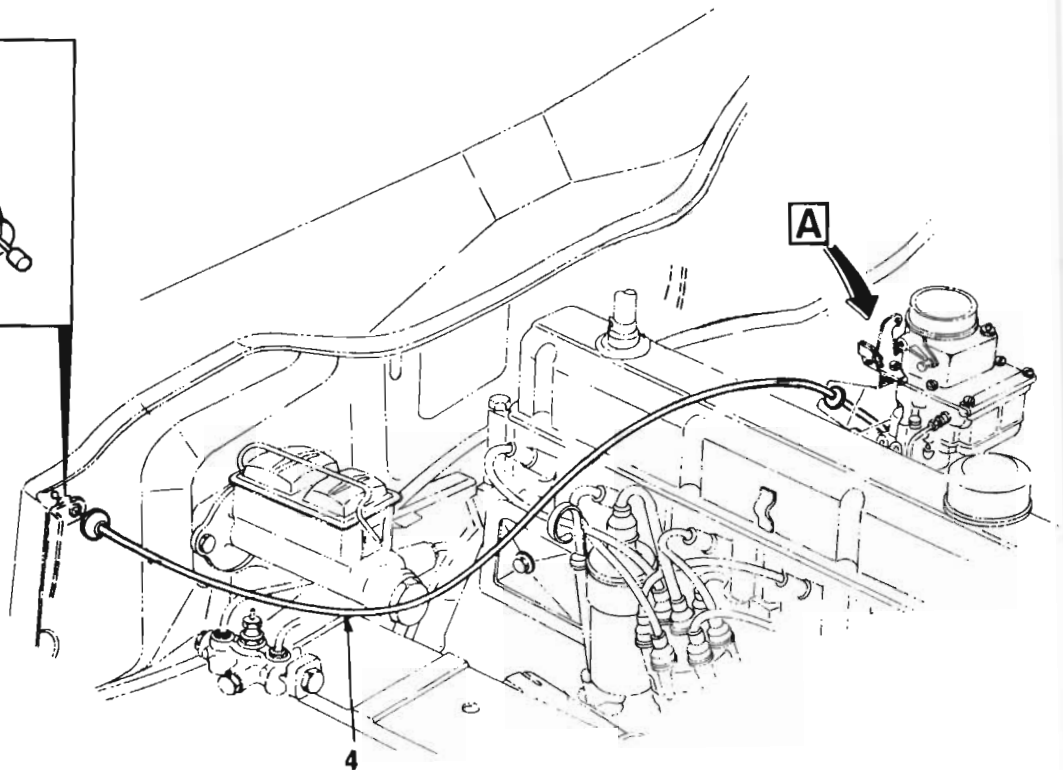
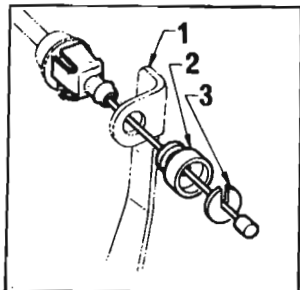
ACCELERATOR LEVER AND PEDAL

ILLUS. REF. NO.	PART NAME	GROUP
1.	PIN - Pedal to lever .....	3.451
2.	SPRING - Pedal tension .....	3.459
3.	PEDAL - Accelerator .....	3.451
4.	LEVER & PIVOT ASSEMBLY - Accelerator .....	3.430
5.	BRACKET ASSEMBLY - Solenoid detent actuating switch .....	4.054



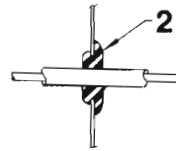
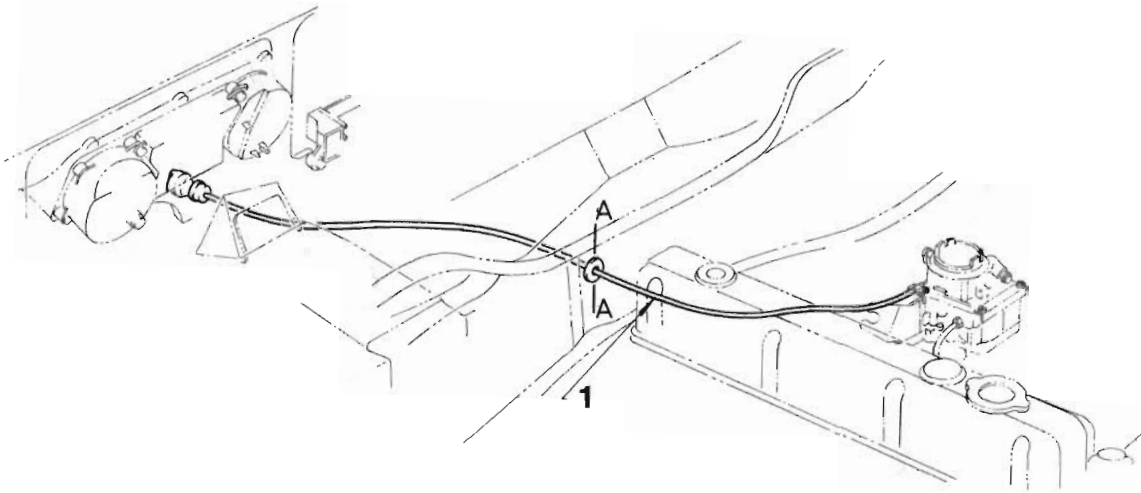
**THROTTLE CONTROL**  
**OPEL - 4 CYLINDER ENGINE**

ILLUS. REF. NO.	PART NAME	GROUP
1.	CABLE ASSEMBLY - Throttle .....	3.430
2.	STRAP - Cable to bracket .....	3.430
3.	BRACKET - Cable support to engine .....	3.430
4.	BOLT - Thermostat housing .....	1.251
5.	BRACKET - Cable support to brake pressure switch .....	3.430
6.	RETAINER - Cable .....	3.430
7.	GROMMET - Cable insulator .....	3.430



**THROTTLE CONTROL  
6 CYLINDER ENGINE**

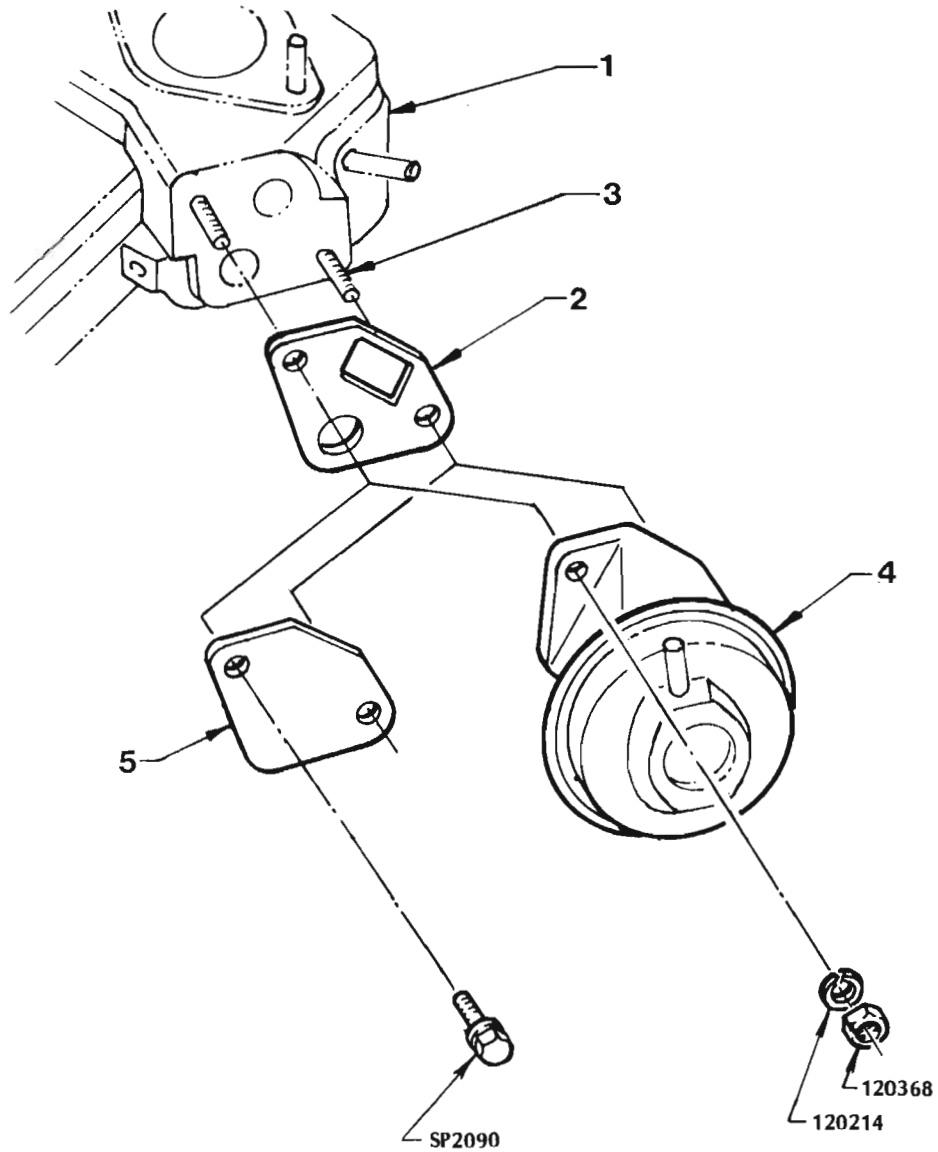
ILLUS. REF. NO.	PART NAME	GROUP
1.	LEVER & PIVOT ASSY. - Accelerator pedal .....	3.430
2.	GROMMET - Cable insulator .....	3.430
3.	RETAINER - Cable assy. ....	3.430
4.	CABLE ASSY. - Throttle .....	3.430
5.	SPRING - Lever return .....	3.731



SECTION A-A

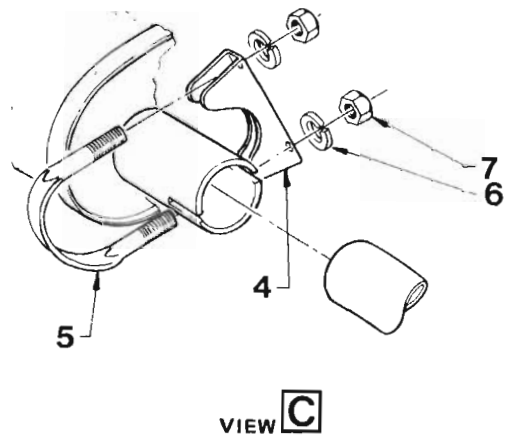
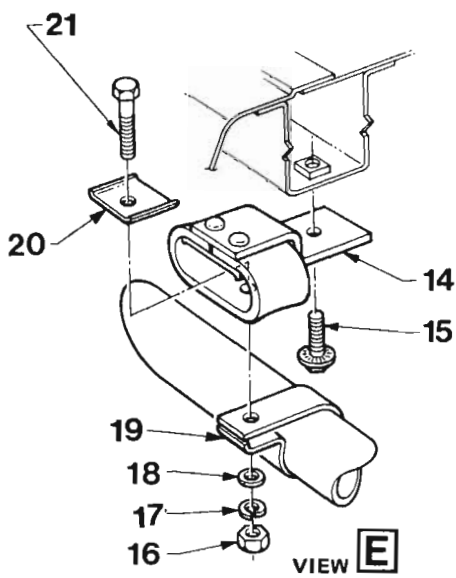
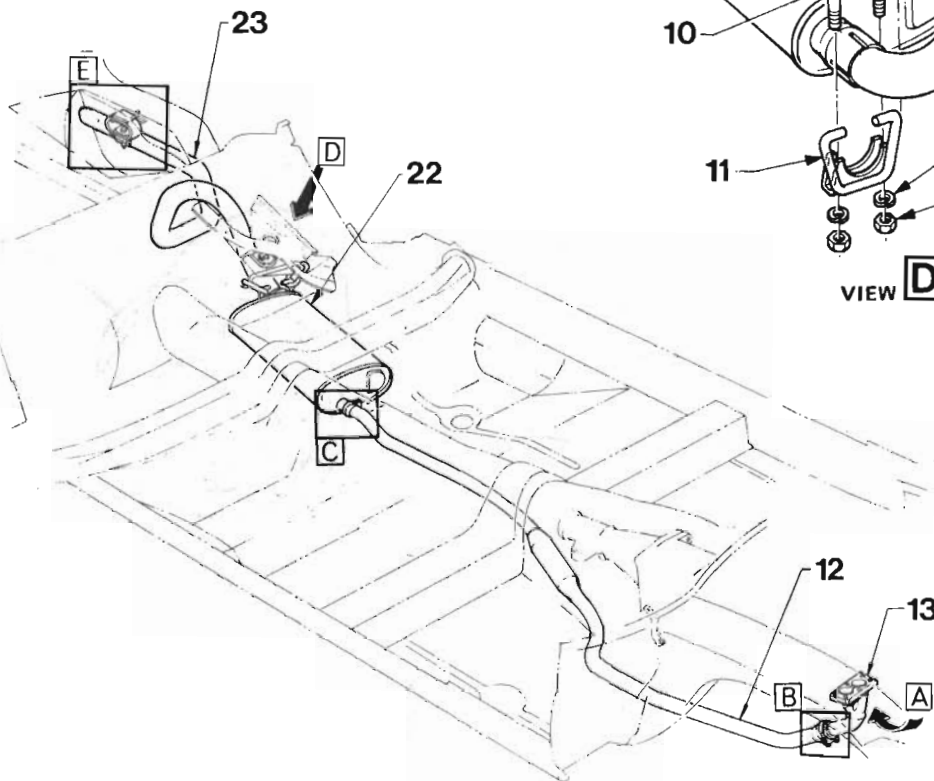
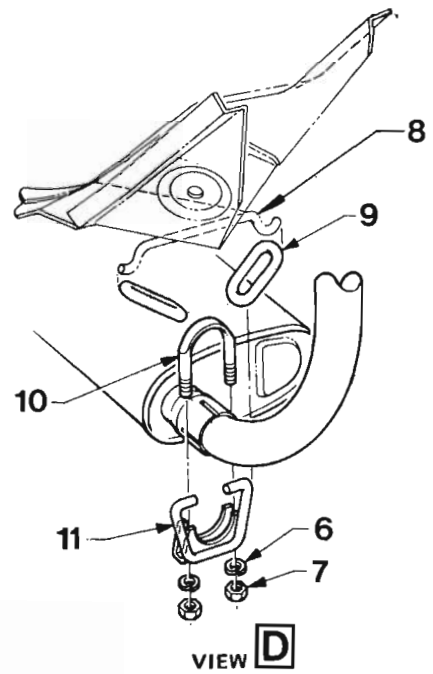
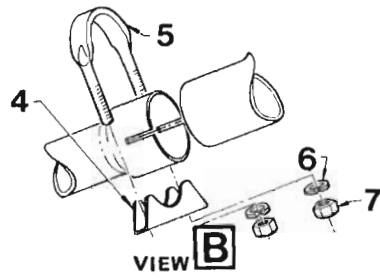
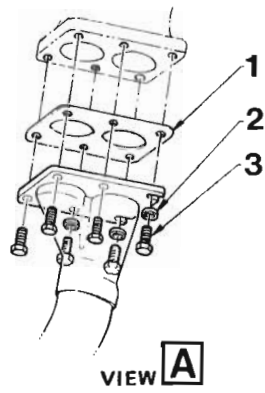
**CHOKE CONTROL**

ILLUS. REF. NO.	PART NAME	GROUP
1.	CONTROL ASSEMBLY – Choke .....	3.521
2.	GROMMET – Choke control to dash .....	3.521



**EXHAUST GAS RECIRCULATION VALVE  
6 CYLINDER ENGINE**

ILLUS. REF. NO.	PART NAME	GROUP
1.	MANIFOLD – Exhaust .....	3.601
2.	GASKET – Valve .....	3.265
3.	STUD – Valve to manifold .....	3.670
4.	VALVE ASSEMBLY .....	3.670
5.	PLATE – Closing .....	3.265

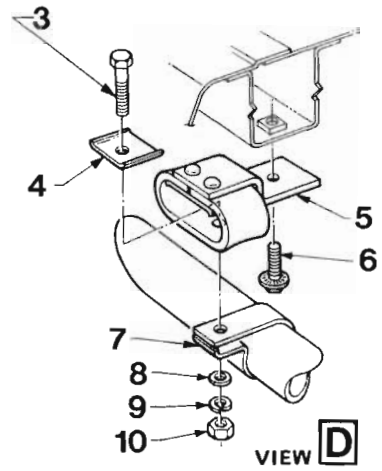
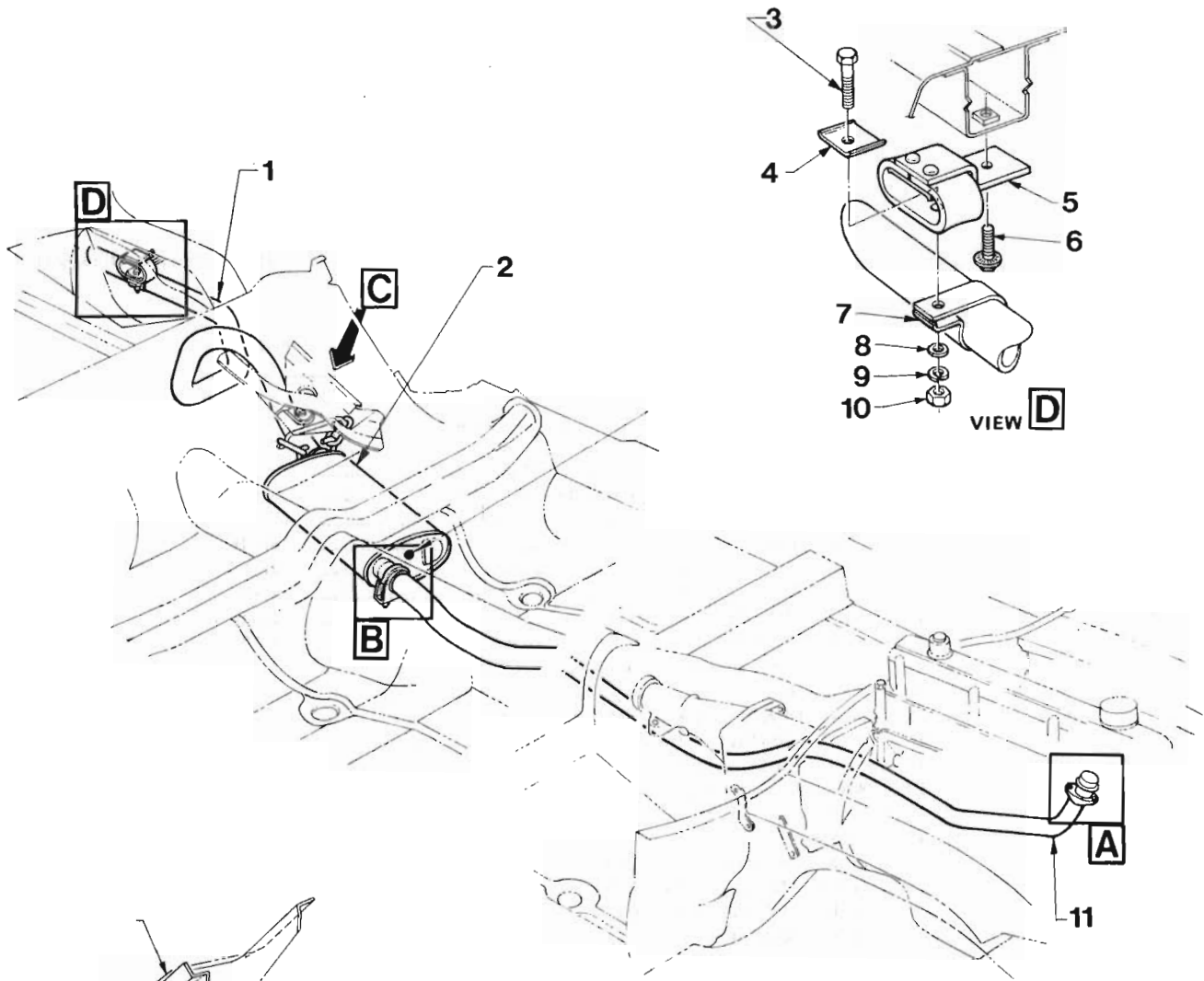




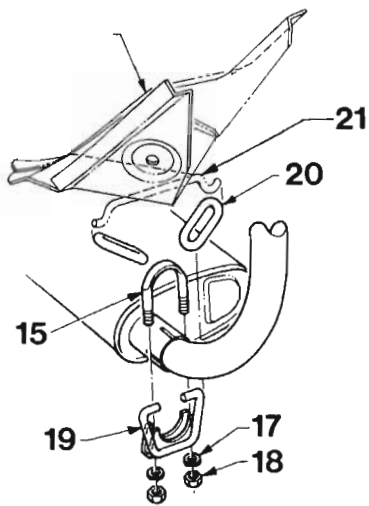
**EXHAUST SYSTEM  
OPEL - 4 CYLINDER ENGINE**

**ILLUSTRATION OPPOSITE**

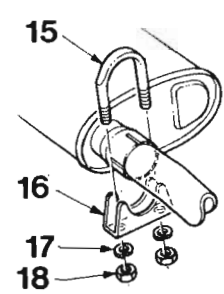
ILLUS. REF. NO.	PART NAME	GROUP
1.	GASKET - Exhaust pipe .....	3.611
2.	WASHER - Pipe to manifold .....	3.275
3.	BOLT - Pipe to manifold .....	3.275
4.	CLAMP - Intermediate pipe to front pipe .....	3.616
5.	'U' BOLT - Intermediate pipe to front pipe .....	3.616
6.	WASHER - Intermediate pipe to front pipe .....	3.616
7.	NUT - Intermediate pipe to front pipe .....	3.616
8.	HOOK - Muffler support .....	3.704
9.	SUPPORT - Muffler rear .....	3.704
10.	'U' BOLT - Pipe to muffler .....	3.616
11.	CLAMP & SUPPORT - Muffler to tail pipe .....	3.706
12.	PIPE - Intermediate .....	3.609
13.	PIPE - Front .....	3.609
14.	BRACKET & INSULATOR ASSEMBLY .....	3.710
15.	BOLT - Bracket to frame .....	3.710
16.	NUT - Tail pipe support .....	3.710
17.	WASHER - Tail pipe support - Lock .....	3.710
18.	WASHER - Tail pipe support - Flat .....	3.710
19.	CLAMP .....	3.710
20.	REINFORCEMENT - Tail pipe support .....	3.710
21.	BOLT - Tail pipe to insulator .....	3.710
22.	MUFFLER ASSEMBLY .....	3.701
23.	PIPE - Muffler tail .....	3.705



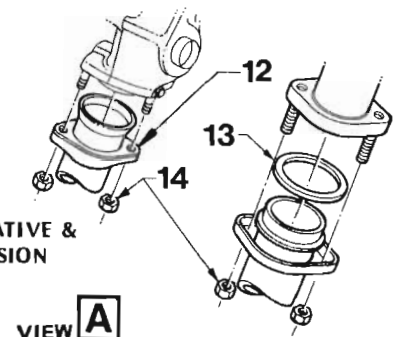
VIEW **D**



VIEW **C**



VIEW **B**



WITH EVAPORATIVE & EXHAUST EMISSION CONTROL

VIEW **A**

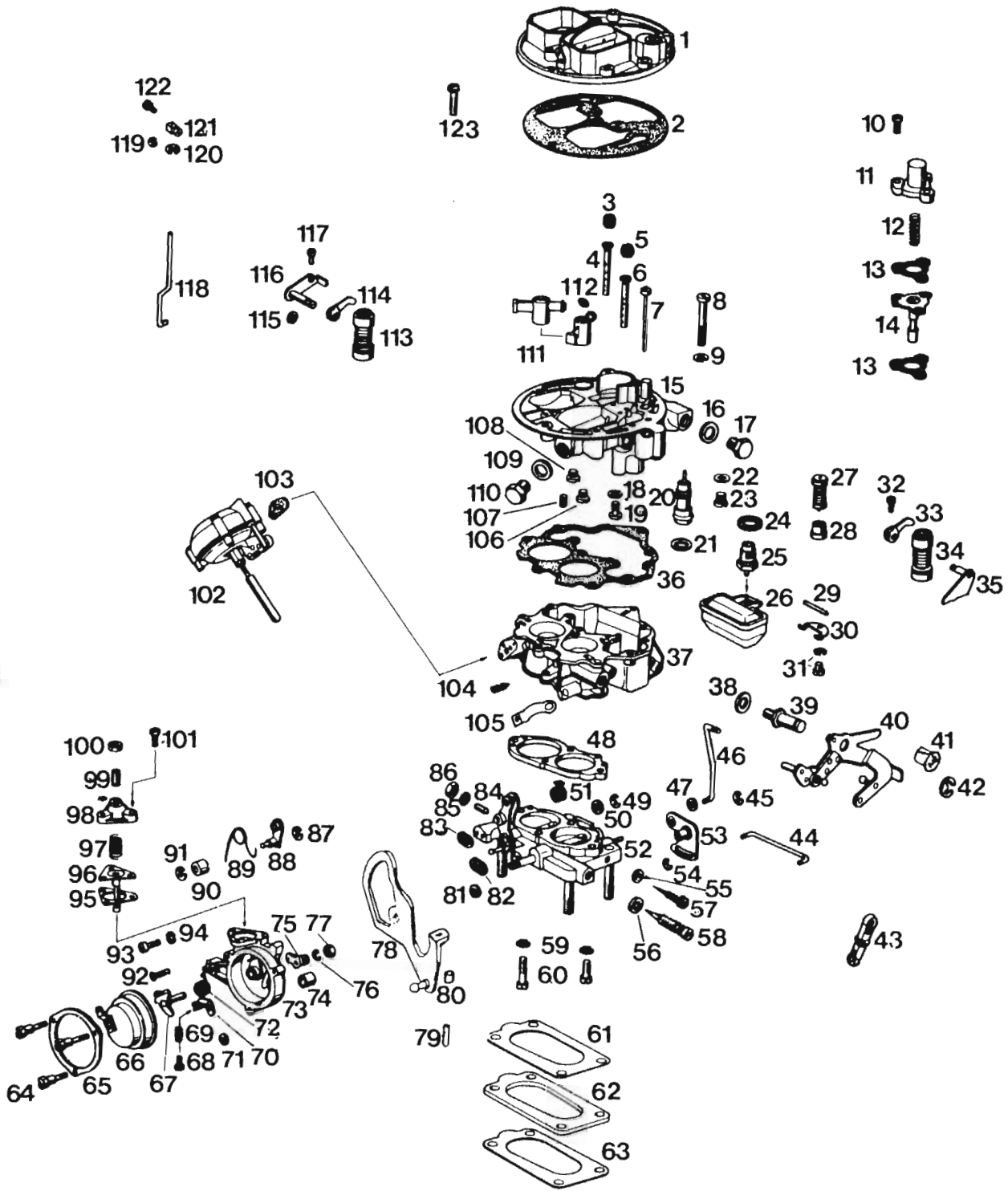
WITH EVAPORATIVE, WITHOUT EXHAUST EMISSION CONTROL

**"UC" TORANA/HOLDEN SUNBIRD PARTS CATALOGUE**

**EXHAUST SYSTEM  
6 CYLINDER ENGINE**

**ILLUSTRATION OPPOSITE**

ILLUS. REF. NO.	PART NAME	GROUP
1.	PIPE – Muffler tail .....	3.705
2.	MUFFLER ASSEMBLY .....	3.701
3.	BOLT – Tail pipe to insulator .....	3.710
4.	REINFORCEMENT – Tail pipe support .....	3.710
5.	BRACKET & INSULATOR ASSEMBLY .....	3.710
6.	BOLT – Bracket to frame .....	3.710
7.	CLAMP .....	3.710
8.	WASHER – Tail pipe support – Flat .....	3.710
9.	WASHER – Tail pipe support – Lock .....	3.710
10.	NUT – Tail pipe support .....	3.710
11.	PIPE – Exhaust .....	3.609
12.	FLANGE – Exhaust pipe .....	3.610
13.	PACKING – Exhaust pipe .....	3.611
14.	NUT – Pipe to manifold .....	3.275
15.	'U' BOLT – Pipe to muffler .....	3.616
16.	CLAMP – Pipe to muffler .....	3.616
17.	WASHER – Pipe to muffler .....	3.616
18.	NUT – Pipe to muffler .....	3.616
19.	CLAMP & SUPPORT – Muffler to tail pipe .....	3.706
20.	SUPPORT – Muffler rear .....	3.704
21.	HOOK – Muffler support .....	3.704

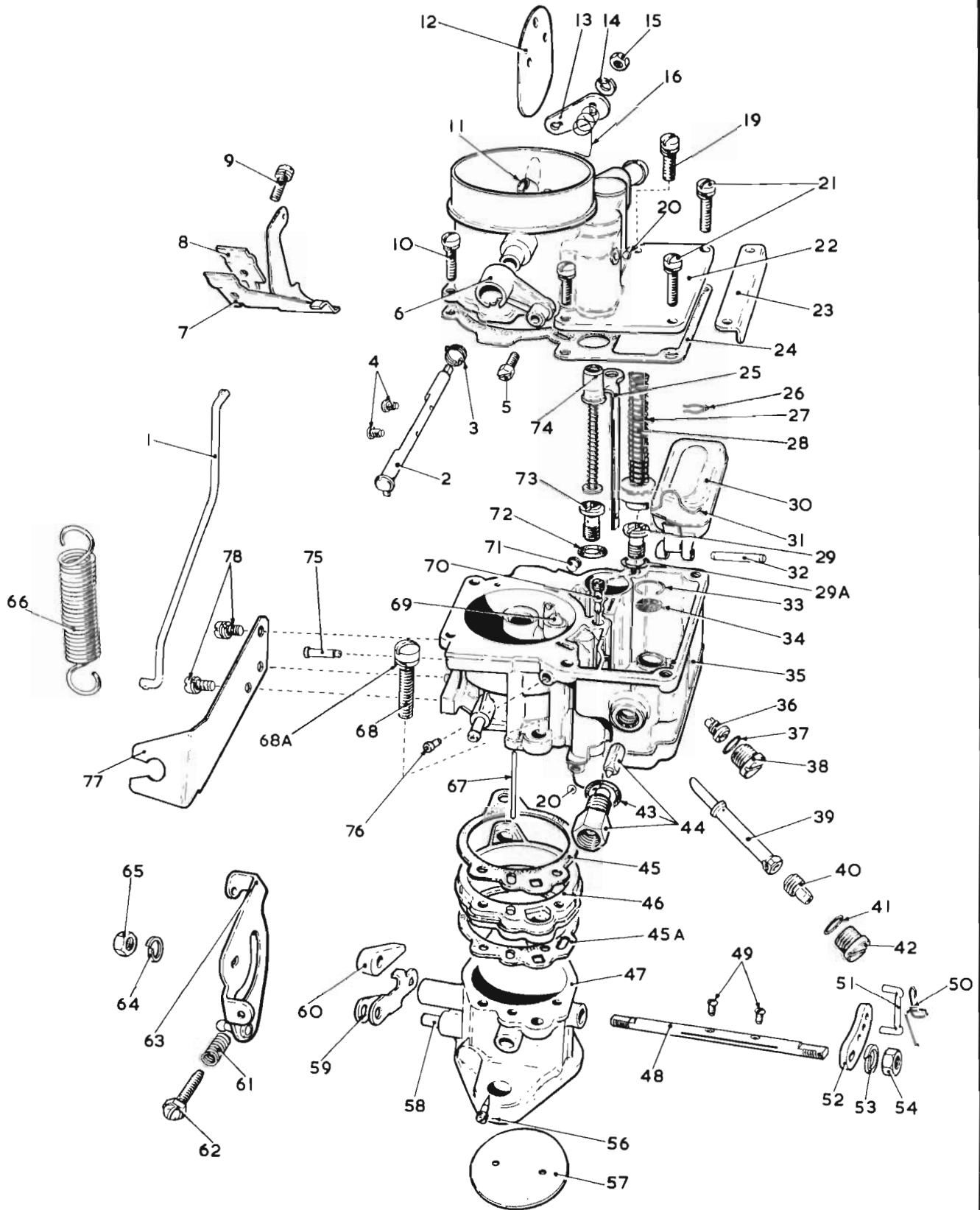


**CARBURETTOR – TWO BARREL TYPE  
ZENITH TYPE 35/40 INAT  
4 Cylinder Engine – ADR27A**

ILLUSTRATION OPPOSITE

ILLUS. REF.NO.	PART NAME	GROUP	ILLUS. REF.NO.	PART NAME	GROUP
	CARBURETTOR ASSEMBLY . . . . .	3.725	61.	GASKET – Paper . . . . .	3.726
1.	AIR HORN ASSEMBLY . . . . .	3.763	62.	GASKET – Asbestos . . . . .	3.726
2.(A)	GASKET – Air horn . . . . .	3.765	63.	GASKET – Paper . . . . .	3.726
3.	JET – Air correction secondary . . . . .	3.752	64.	SCREW – Cover retaining . . . . .	3.796
4.	TUBE – Secondary air correction jet . . . . .	3.752	65.	RING – Cover retaining . . . . .	3.796
5.	JET – Air correction primary . . . . .	3.752	66.	COVER ASSEMBLY – Choke thermostat . . . . .	3.796
6.	TUBE – Primary air correction jet . . . . .	3.752	67.	LEVER – Intermediate . . . . .	3.797
7.	JET – Idle . . . . .	3.752	68-70.	LEVER – Stop . . . . .	3.797
8.	SCREW – Main body to float housing . . . . .	3.748	71.	WASHER – Stop lever & choke control . . . . .	3.797
9.	WASHER – Main body to float housing . . . . .	3.748	72.	SPRING – Thermostat . . . . .	3.796
10.	SCREW – Cover to air horn . . . . .	3.757	73.	BODY – Choke control . . . . .	3.796
11.	COVER – Enrichment diaphragm . . . . .	3.757	74.	SPACER – Control to throttle lever . . . . .	3.796
12.(A)	SPRING – Enrichment diaphragm . . . . .	3.757	75.	LEVER – Transfer . . . . .	3.796
13.(A)	GASKET – Enrichment diaphragm . . . . .	3.757	76.	WASHER – Transfer lever . . . . .	3.797
14.(A)	DIAPHRAGM ASSEMBLY – Enrichment . . . . .	3.757	77.	NUT – Transfer lever . . . . .	3.797
15.	BODY ASSEMBLY – Main . . . . .	3.748	78.	LEVER – Throttle . . . . .	3.731
16.(A)	GASKET – Main body plug . . . . .	3.767	79.	SCREW – Throttle lever adjusting . . . . .	3.731
17.	PLUG – Main body . . . . .	3.767	80.	CAP – Throttle lever adjusting . . . . .	3.731
18.(A)	SEAL – Pump outlet valve . . . . .	3.784	81.	WASHER – Throttle lever . . . . .	3.731
19.	VALVE ASSEMBLY – Pump outlet . . . . .	3.784	82.(A)	GASKET – Choke control mounting – Inner . . . . .	3.796
20.	VALVE – Enrichment . . . . .	3.757	83.(A)	GASKET – Choke control mounting – Outer . . . . .	3.796
21.(A)	'O'RING – Enrichment valve . . . . .	3.757	84.	SCREW – Secondary throttle lever adjusting . . . . .	3.731
22.(A)	SEAL – Pump inlet valve . . . . .	3.784	85.	WASHER – Secondary throttle adj. screw . . . . .	3.731
23.	VALVE ASSEMBLY – Pump inlet . . . . .	3.784	86.	NUT – Secondary throttle adjusting screw . . . . .	3.731
24.(A)	SEAL – Float needle valve seat . . . . .	3.772	87.	CIRCLIP – Secondary throttle lever . . . . .	3.731
25.(A)	VALVE ASSEMBLY – Float needle . . . . .	3.771	88.	LEVER – Secondary throttle . . . . .	3.731
26.	FLOAT ASSEMBLY . . . . .	3.773	89.	SPRING – Secondary throttle lever . . . . .	3.731
27.	VALVE ASSEMBLY – Air vent . . . . .	3.764	90.	ROLLER – Secondary throttle lever . . . . .	3.731
28.	BUSH – Air vent valve . . . . .	3.764	91.	CIRCLIP – Secondary throttle lever roller . . . . .	3.731
29.	PIN – Float fulcrum . . . . .	3.775	92.	SCREW – Choke control mounting – Inner . . . . .	3.796
30.	BRACKET – Float pin . . . . .	3.775	93.	SCREW – Choke control mounting – Outer . . . . .	3.796
31.	SCREW – Float pin bracket . . . . .	3.775	94.	WASHER – Choke control mounting – Inner . . . . .	3.796
32.	SCREW – Pump lever . . . . .	3.780	95.(A)	GASKET – Choke control diaphragm . . . . .	3.796
33.	LEVER – Primary pump plunger . . . . .	3.780	96.(A)	DIAPHRAGM – Choke control . . . . .	3.796
34.	PLUNGER – Primary throttle pump . . . . .	3.778	97.(A)	SPRING – Choke control diaphragm . . . . .	3.796
35.	LEVER – Primary pump actuating . . . . .	3.780	98.	COVER – Choke control diaphragm . . . . .	3.796
36.(A)	GASKET – Float housing to main body . . . . .	3.749	99.	PIN – Diaphragm adjusting . . . . .	3.796
37.	HOUSING – Float . . . . .	3.748	100.	NUT – Diaphragm adjusting pin . . . . .	3.796
38.	WASHER – Cont. lever support pin to float hsg. . . . .	3.764	101.	SCREW – Choke diaphragm cover . . . . .	3.796
39.	PIN – Control lever support . . . . .	3.764	102.	VACUUM HOUSING ASSEMBLY . . . . .	3.766
40.	LEVER – Float housing ventilation control . . . . .	3.764	103.(A)	GASKET – Vacuum hsg. to float hsg. . . . .	3.766
41.	BUSH – Float housing ventilation control lever . . . . .	3.764	104.	SCREW – Choke shackle . . . . .	3.797
42.	CIRCLIP – Float hsg. ventilation control lever . . . . .	3.764	105.	SHACKLE – Choke control . . . . .	3.797
43.	LINK – Control lever to throttle rod . . . . .	3.764	106.	JET – Main – Primary . . . . .	3.754
44.	ROD – Throttle transfer lever . . . . .	3.731	107.	JET – Enrichment – Main body . . . . .	3.757
45.	CIRCLIP – Transfer lever to throttle body . . . . .	3.731	108.	JET – Main – Secondary . . . . .	3.754
46.	ROD – Secondary throttle pump . . . . .	3.780	109.(A)	SEAL – Secondary venturi screw . . . . .	3.786
47.	RING – Throttle transfer rod – Lock . . . . .	3.731	110.	SCREW – Secondary venturi . . . . .	3.786
48.	INSULATOR – Float housing . . . . .	3.749	111.	VENTURI ASSEMBLY – Secondary . . . . .	3.786
49.	CIRCLIP – Throttle valve shaft . . . . .	3.731	112.(A)	'O'RING – Secondary venturi . . . . .	3.786
50.	WASHER – Throttle valve shaft . . . . .	3.731	113.	PLUNGER ASSY. – Secondary throttle pump . . . . .	3.778
51.	SPRING – Transfer lever . . . . .	3.731	114.	LEVER – Secondary pump plunger . . . . .	3.780
52.	BODY ASSEMBLY – Throttle . . . . .	3.727	115.	WASHER – Secondary pump lever . . . . .	3.780
53.	LEVER – Transfer . . . . .	3.731	116.	LEVER – Sec. pump plunger actuating . . . . .	3.780
54.	WASHER – Transfer rod . . . . .	3.731	117.	SCREW – Pump lever . . . . .	3.780
55.(A)	'O'RING – Mixture screw . . . . .	3.741	118.	ROD – Choke connecting . . . . .	3.798
56.(A)	'O'RING – Air screw . . . . .	3.741	119.	CIRCLIP – Choke lever . . . . .	3.791
57.(A)	SCREW – Idle mixture adjusting . . . . .	3.741	120.	CIRCLIP – Choke connecting rod . . . . .	3.798
58.(A)	SCREW – Idle air adjusting . . . . .	3.741	121.	LEVER – Choke . . . . .	3.791
59.	WASHER . . . . .	N.S.	122.	SCREW – Choke lever . . . . .	3.791
60.	SCREW – Throttle body to float housing . . . . .	3.727	123.	SCREW – Air horn . . . . .	3.763

NOTE. (A) Included in Repair Kit Group 3.725

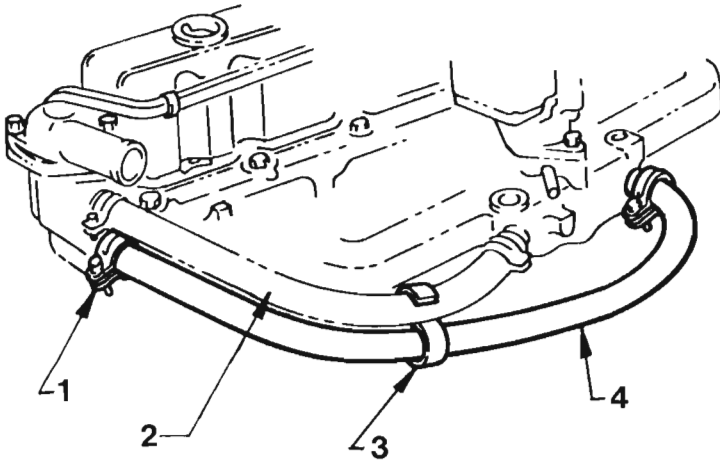


# "UC" TORANA/HOLDEN SUNBIRD PARTS CATALOGUE

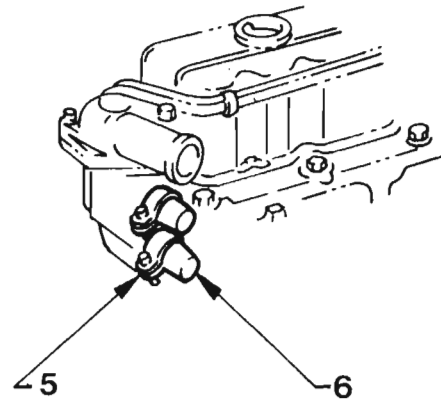
## CARBURETTOR SINGLE BARREL TYPE — BENDIX WITHOUT EXHAUST EMISSION CONTROL 6 CYLINDER ENGINE

ILLUSTRATION OPPOSITE

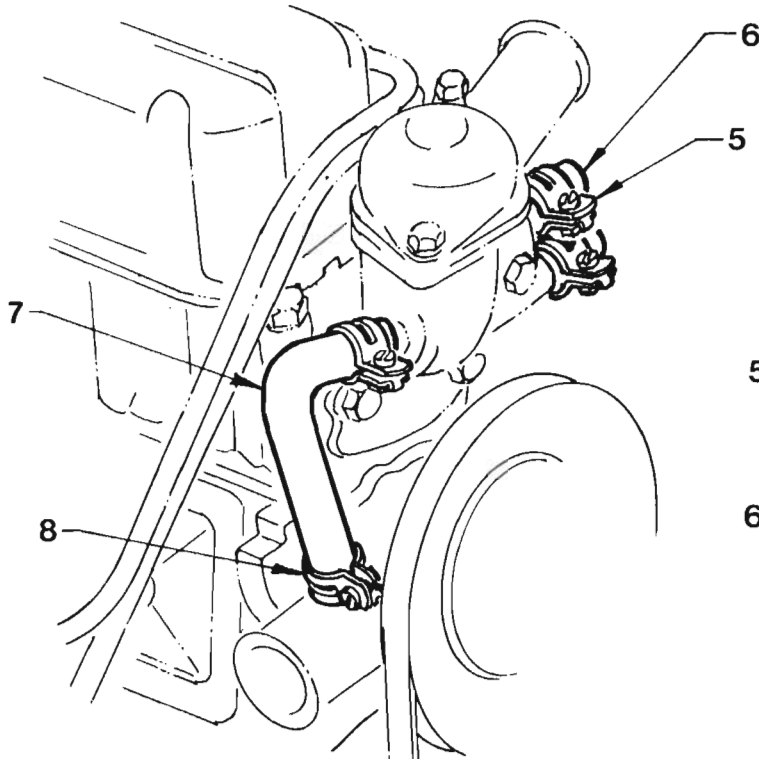
ILLUS. REF. NO.	PART NAME	GROUP	ILLUS. REF. NO.	PART NAME	GROUP
1.	ROD — Fast idle .....	3.793	40.	JET — Main metering .....	3.754
2.	SHAFT & LEVER ASSY. — Choke .....	3.791	41.	GASKET — Metering jet plug .....	3.756
3.	SPRING — Choke lever .....	3.791	42.	PLUG — Metering jet .....	3.756
4.	SCREW — Choke valve attaching .....	3.789	43.	GASKET — Needle valve seat .....	3.772
5.	SCREW — Wire clip .....	3.791	44.	VALVE & SEAT ASSY. ....	3.771
6.	LEVER ASSY. — Choke .....	3.791	45.	GASKET — Main body .....	3.749
8.	CLAMP — Choke cable .....	3.795	45A.	GASKET — Throttle body .....	3.749
9.	SCREW & LOCK WASHER — Clamp .....	3.795	46.	SPACER — Insulating .....	3.748
7.	} BRACKET ASSY. — Choke cable .....	3.795	47.	BODY ASSY. — Throttle .....	3.727
8.			48.	SHAFT — Throttle .....	3.731
9.			49.	SCREW — Throttle valve .....	3.729
10.	SCREW & LOCK WASHER — Bracket .....	3.795	50.	CLIP — Spring .....	3.783
11.	TUBE — Vent .....	3.763	51.	LINK — Pump .....	3.783
12.	VALVE ASSY. — Choke .....	3.789	52.	LEVER — Pump .....	3.780
13.	LEVER — Fast idle .....	3.792	53.	WASHER — Pump lever nut .....	3.781
14.	WASHER — Lever attaching nut, .....	3.792	54.	NUT — Pump lever .....	3.781
15.	NUT — Lever attaching .....	3.792	56.	VALVE — Idle needle .....	3.741
16.	SPRING — Choke shaft anti-buzz .....	3.791	57.	VALVE — Throttle .....	3.729
19.	SCREW & LOCK WASHER — Air horn .....	3.763	58.	PIN — Fast idle cam .....	3.736
20.	PLUG — Lead ball .....	3.767	59.	LEVER — Fast idle .....	3.735
21.	SCREW & LOCK WASHER — Air horn .....	3.763	60.	CAM — Fast idle .....	3.735
22.	AIR HORN ASSY. ....	3.763	61.	SPRING — Slow idle adjusting screw .....	3.734
23.	BAR — Reinforcing .....	3.763	62.	SCREW — Slow idle adjusting .....	3.734
24.	GASKET — Air horn .....	3.765	63.	LEVER — Throttle .....	3.731
25.	ROD — Pump .....	3.782	64.	WASHER — Throttle lever nut .....	3.731
26.	PIN — Cotter .....	3.778	65.	NUT — Throttle lever .....	3.731
27.	SPRING — Pump stem .....	3.779	66.	SPRING — Throttle lever return .....	3.731
28.	PISTON & STEM ASSY. ....	3.778	67.	ROD — Volume restrictor .....	3.753
29.	JET ASSY. — Pump by-pass .....	3.757	68.	SCREW — Main body .....	3.748
29A.	GASKET — Pump by-pass jet .....	3.757	68A.	WASHER — Main body lock .....	3.748
30.	FLOAT & LEVER ASSY. ....	3.773	69.	BLEEDER — High speed .....	3.751
31.	SPRING — Float fulcrum pin .....	3.775	70.	TUBE — Idle .....	3.752
32.	PIN — Float fulcrum .....	3.775	71.	PLUG — Main body .....	3.767
33.	CLIP — Strainer screen .....	3.787	72.	GASKET — Power by-pass jet .....	3.757
34.	SCREEN — Pump strainer .....	3.787	73.	JET — Power by-pass .....	3.757
35.	BODY ASSY. — Main .....	3.748	74.	PISTON — Vacuum power .....	3.788
36.	VALVE ASSY. — Pump check .....	3.784	75.	PLUG — Main body (long) .....	3.767
37.	GASKET — Plug .....	3.784	76.	PLUG — Main body (short) .....	3.767
38.	PLUG — Check valve .....	3.784	77.	BRACKET — Throttle cable support .....	3.731
39.	JET — Main discharge .....	3.754	78.	SCREW — Bracket attaching .....	3.731



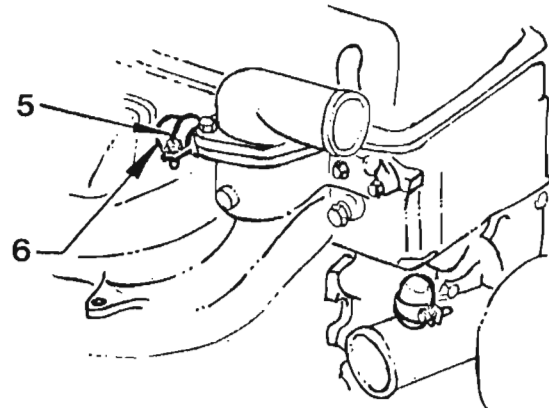
6 CYLINDER ENGINE WITHOUT EXHAUST  
WITH EVAPORATIVE EMISSION CONTROL



6 CYLINDER ENGINE WITH EXHAUST  
AND EVAPORATIVE EMISSION CONTROL



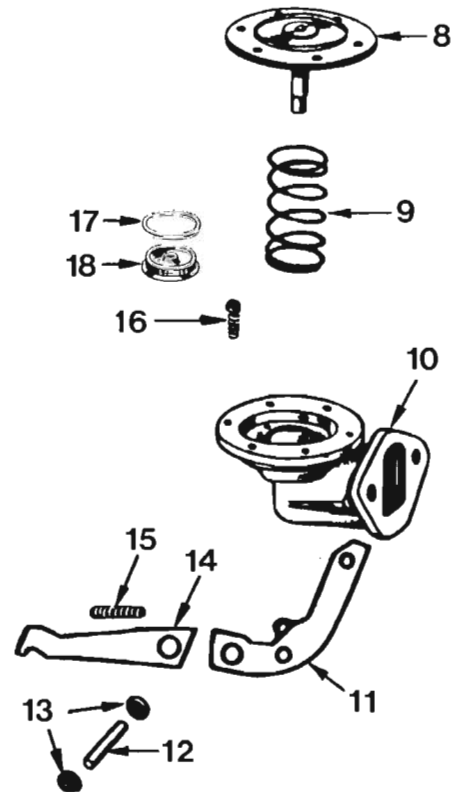
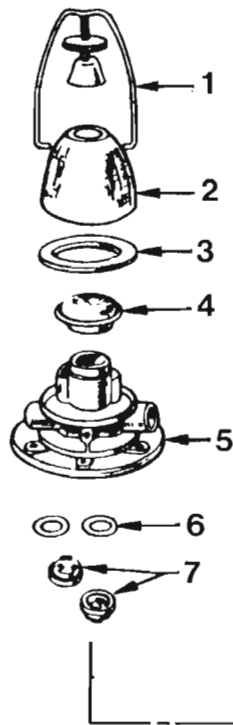
6 CYLINDER ENGINE WITH EXHAUST  
AND EVAPORATIVE EMISSION CONTROL MANIFOLD HOSES  
WITHOUT HEATER



OPEL - 4 CYLINDER ENGINE

ILLUS. REF. NO.	PART NAME	GROUP
1.	CLAMP - Manifold hose .....	3.260
2.	HOSE - Manifold outlet .....	3.260
3.	CLIP - Inlet to outlet hose .....	3.260
4.	HOSE - Manifold inlet .....	3.260
5.	CLAMP - Cap closing .....	1.251
6.	CAP - Closing .....	1.251
7.	HOSE - By-pass .....	9.779
8.	CLAMP - By-pass hose .....	9.779





FUEL PUMP  
6 CYLINDER ENGINE

ILLUS. REF. NO.	PART NAME	GROUP
1.	BAIL & SCREW .....	3.906
2.	BOWL .....	3.903
3.	GASKET .....	3.904
4.	SCREEN ASSEMBLY .....	3.929
5.	COVER ASSEMBLY .....	3.910
6.	GASKET .....	3.913
7.	VALVE & CAGE ASSEMBLY .....	3.909
8.	DIAPHRAGM & PULL ROD ASSEMBLY .....	3.925
9.	SPRING .....	3.927
10.	BODY .....	3.902
11.	ARM .....	3.920
12.	PIN .....	3.921
13.	PLUG .....	3.921
14.	LINK .....	3.931
15.	SPRING .....	3.922
16.	SCREW & WASHER .....	3.910
17.	WASHER - Seal .....	3.902
18.	SEAL .....	3.902

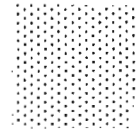
**GROUP 4.000**  
**TRANSMISSION SECTION**

## TRANSMISSION INDEX

TRANSMISSION ASSEMBLIES AND PARTS ARE LISTED AS FOLLOWS:—

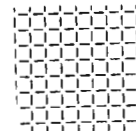
SECTION 1: TRANSMISSION ASSEMBLY  
THREE SPEED FULLY SYNCHRONIZED  
RIGHT HAND DRIVE  
PAGES

TRANSMISSION CODE **A** PAGE EDGE CODE



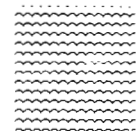
SECTION 2: TRANSMISSION ASSEMBLY  
FOUR SPEED MANUAL CONTROL  
FITTED IN ALL VEHICLES  
(SHIFT MECHANISM ON TRANSMISSION SIDE PLATE)  
PAGES

TRANSMISSION CODE **F** PAGE EDGE CODE



SECTION 3: "TORQUEMASTER" TRANSMISSION ASSEMBLY  
FOUR SPEED MANUAL CONTROL  
FITTED IN VEHICLES EQUIPPED WITH  
4 CYLINDER ENGINES  
(SHIFT MECHANISM ON TOP OF REAR EXTENSION HOUSING)  
PAGES

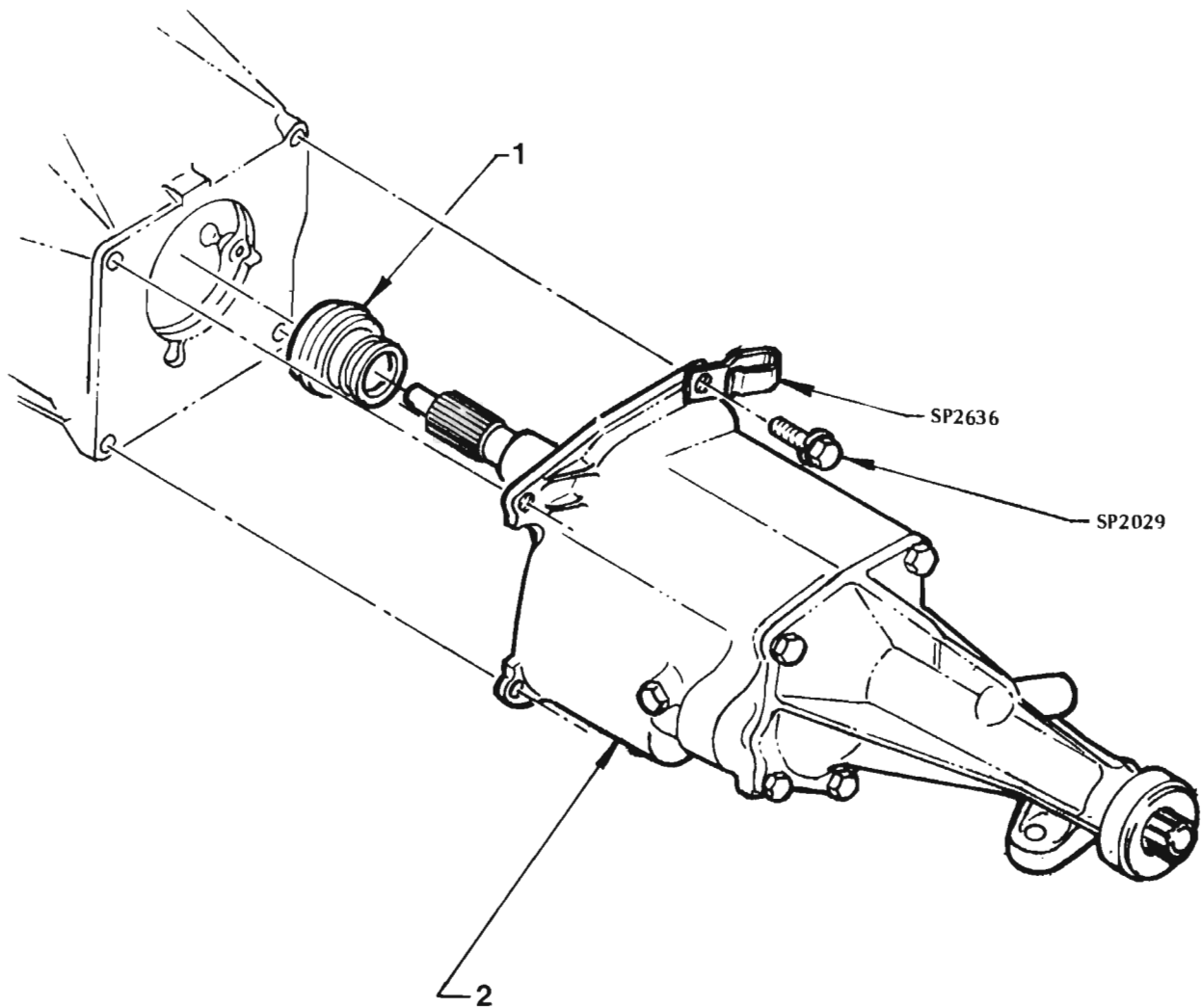
TRANSMISSION CODE **H** PAGE EDGE CODE



SECTION 4: TRANSMISSION ASSEMBLY  
TRIMATIC  
PAGES

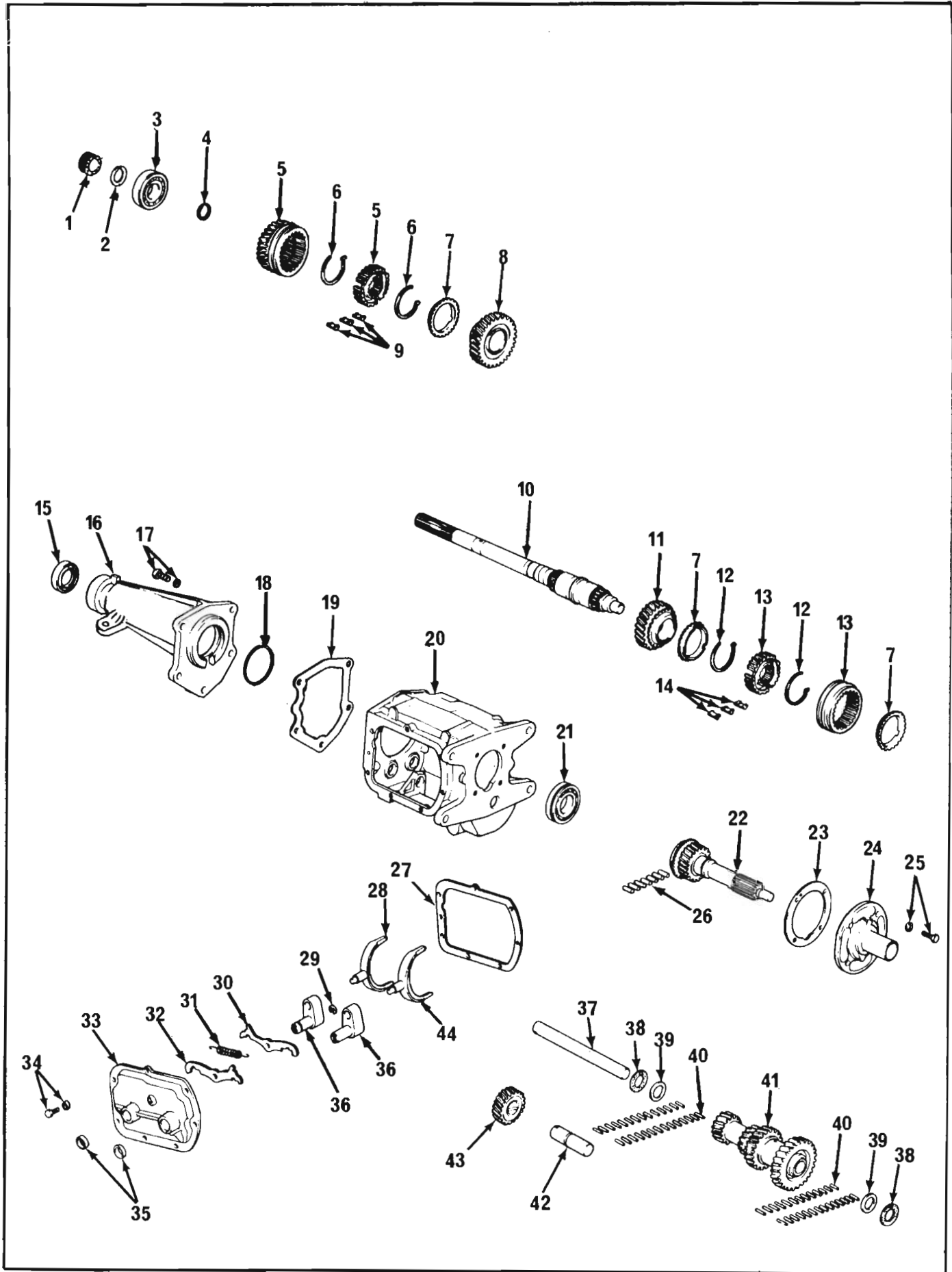
TRANSMISSION CODE **U** PAGE EDGE CODE





TRANSMISSION TO ENGINE

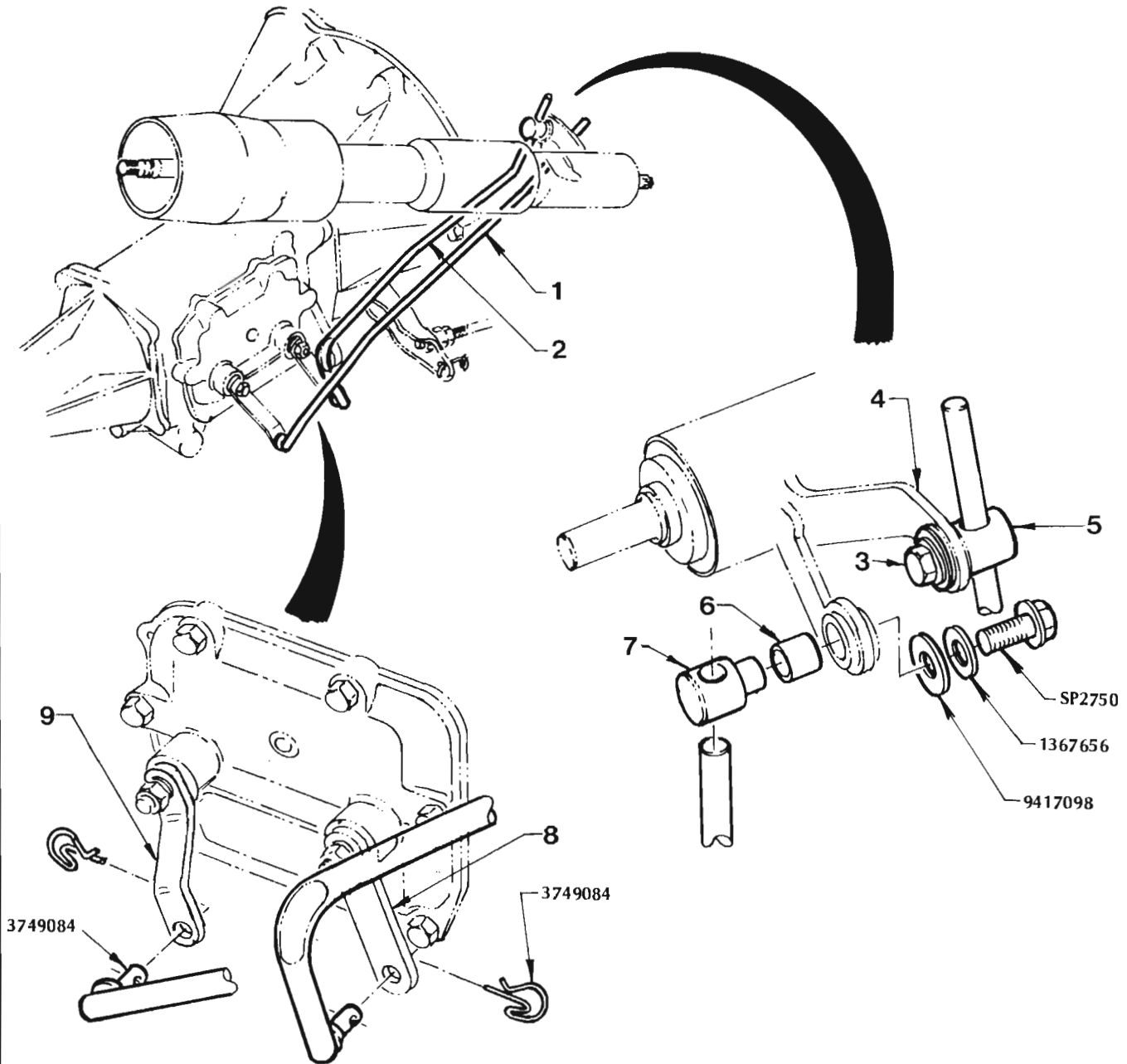
ILLUS. REF. NO.	PART NAME	GROUP
1.	BEARING ASSEMBLY .....	0.799
2.	TRANSMISSION ASSEMBLY .....	4.003



**"UC" TORANA/HOLDEN SUNBIRD PARTS CATALOGUE**

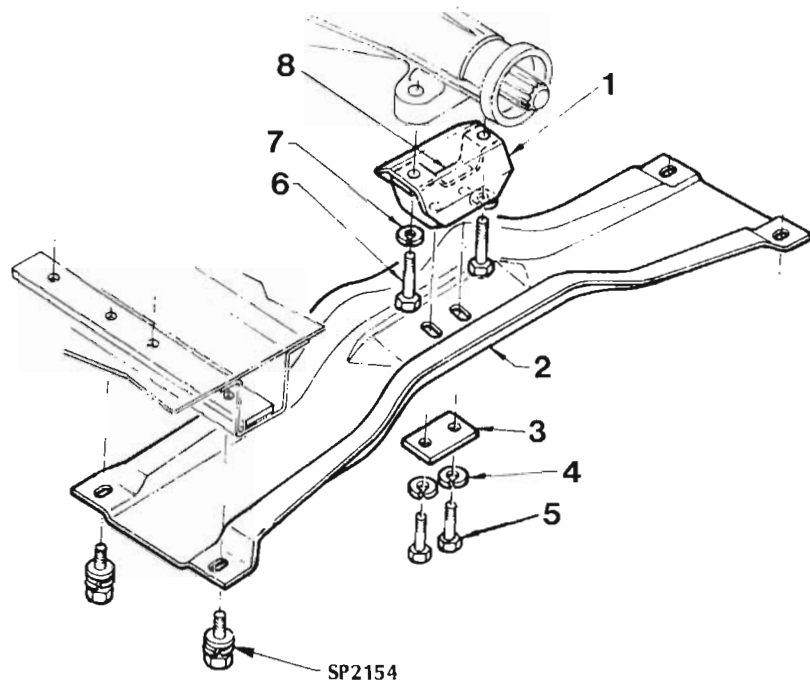
**TRANSMISSION  
3 SPEED - FULLY SYNCHRONISED TRANSMISSION**

ILLUS. REF. NO.	PART NAME	ILLUSTRATION OPPOSITE GROUP
1 - 44	TRANSMISSION ASSEMBLY .....	4.003
1.	GEAR - Speedometer drive .....	4.337
2.	RING - Mainshaft lock .....	4.412
3.	BEARING ASSEMBLY - Mainshaft rear .....	4.408
4.	RING - First and reverse synchroniser .....	4.382
5.	SYNCHRONISER - First and reverse .....	4.380
6.	SPRING - First and reverse synchroniser .....	4.383
7.	RING - Blocking .....	4.383
8.	GEAR - First speed .....	4.418
9.	KEY - First and reverse synchroniser .....	4.384
10.	SHAFT - Main .....	4.403
11.	GEAR - Second speed .....	4.395
12.	SPRING - Second and third synchroniser .....	4.383
13.	SYNCHRONISER - Second and third .....	4.380
14.	KEY - Second and third synchroniser .....	4.383
15.	SEAL - Housing .....	4.317
16.	HOUSING ASSEMBLY - Extension .....	4.317
17.	BOLT & WASHER - Housing to case .....	4.317
18.	ADAPTOR - Rear bearing .....	4.317
19.	GASKET - Extension housing .....	4.318
20.	CASE .....	4.103
21.	BEARING - Clutch gear .....	4.355
22.	GEAR - Clutch .....	4.351
23.	GASKET - Clutch gear bearing retainer .....	4.358
24.	RETAINER - Bearing .....	4.356
25.	BOLT & WASHER - Bearing retainer to case .....	4.356
26.	BEARING - Mainshaft front roller .....	4.352
27.	GASKET - Transmission cover .....	4.109
28.	FORK - First and reverse shift .....	4.304
29.	SEAL - Shifter shaft .....	4.309
30.	CAM - First and reverse detent .....	4.311
31.	SPRING - Detent cam .....	4.311
32.	CAM - Second and third detent .....	4.311
33.	COVER - Transmission .....	4.105
34.	BOLT & WASHER - Cover to case .....	4.105
35.	SEAL - Shifter shaft .....	4.309
36.	SHAFT ASSEMBLY - Shifter fork .....	4.309
37.	SHAFT - Counter gear .....	4.428
38.	WASHER - Gear thrust .....	4.423
39.	WASHER - Bearing .....	4.423
40.	BEARING - Counter gear needle roller .....	4.422
41.	GEAR - Counter .....	4.421
42.	SHAFT - Reverse idler gear .....	4.433
43.	GEAR ASSEMBLY - Reverse idler .....	4.430
44.	FORK - Second and third shift .....	4.403



GEARSHIFT CONTROL

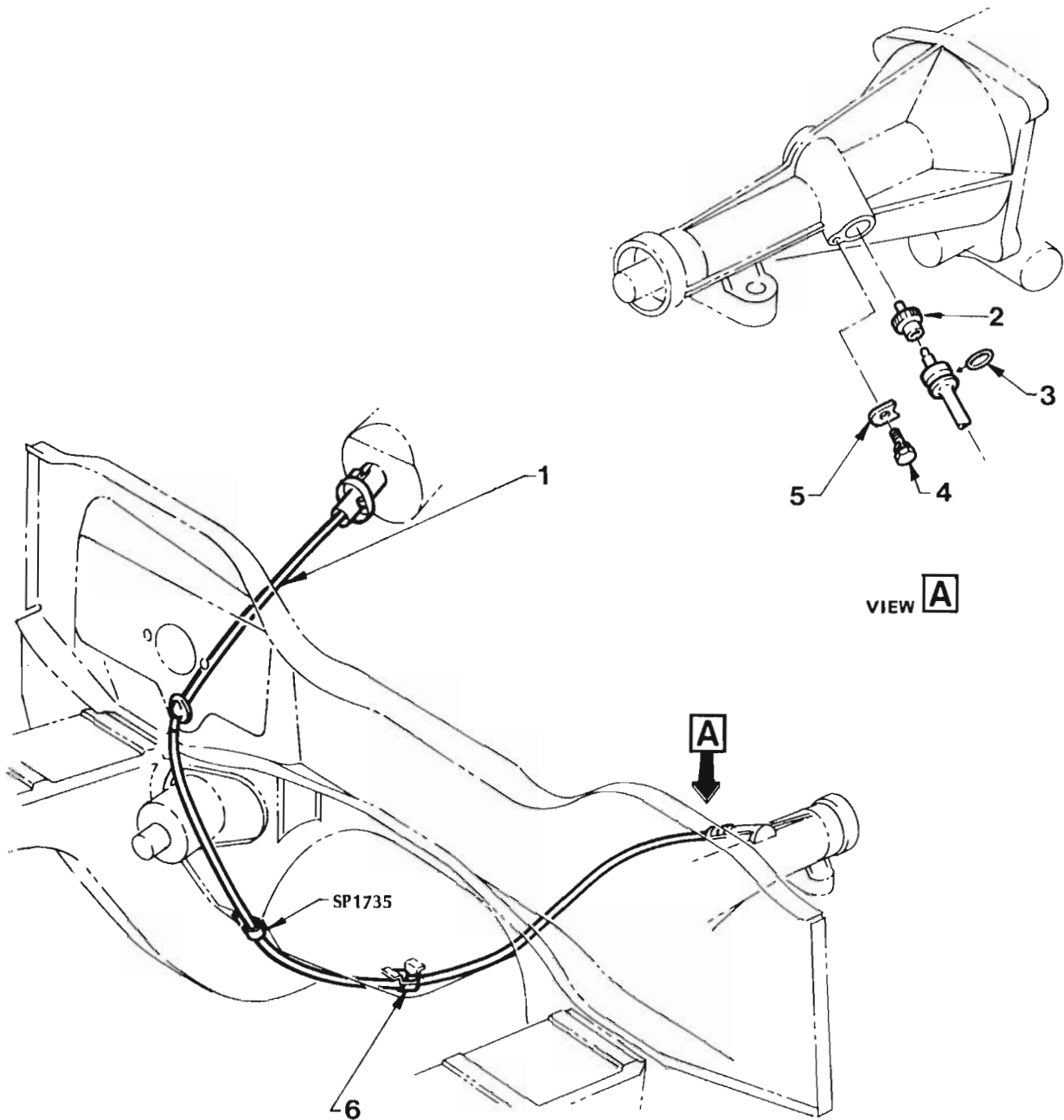
ILLUS. REF. NO.	PART NAME	GROUP
1.	ROD ASSEMBLY – Control .....	4.019
2.	ROD ASSEMBLY – Control .....	4.020
3.	BOLT – Trunnion .....	4.019
4.	LEVER .....	4.019
5.	TRUNNION – Control rod .....	4.019
6.	SLEEVE – Trunnion .....	4.020
7.	TRUNNION – Control rod .....	4.020
8.	LEVER .....	4.046
9.	LEVER .....	4.050



**TRANSMISSION MOUNTING  
6 CYLINDER ENGINE**

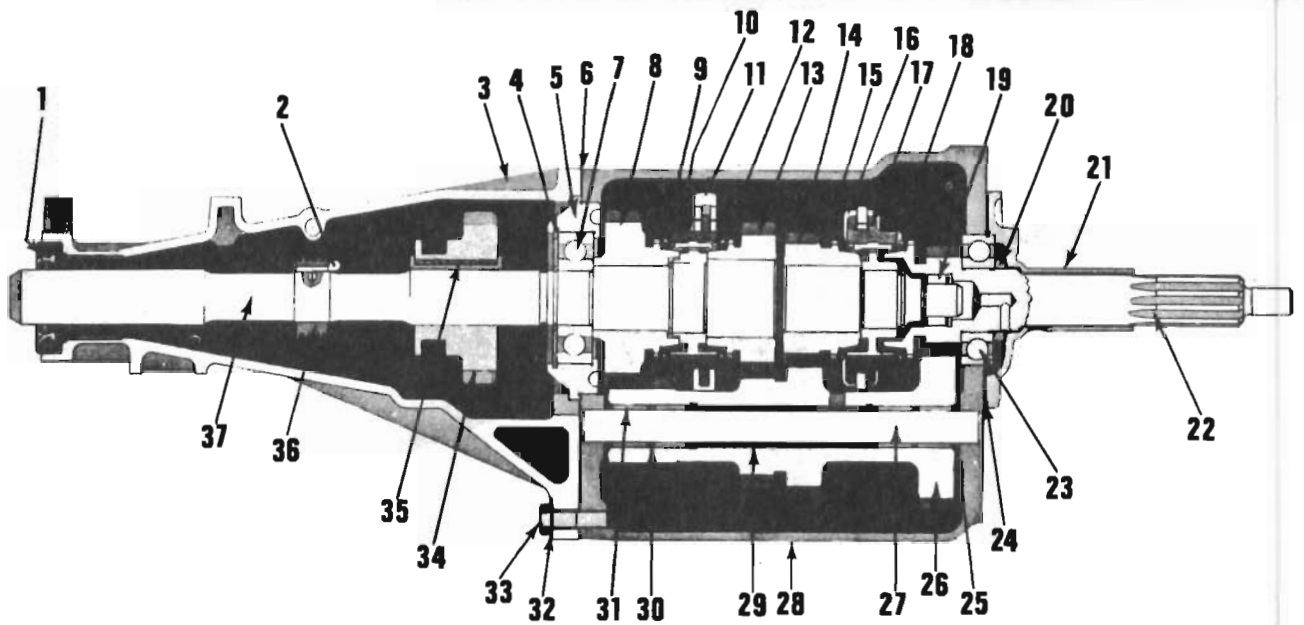
ILLUS. REF. NO.	PART NAME	GROUP
1.	MOUNTING ASSEMBLY .....	4.081
2.	SUPPORT - Rear mounting .....	12.982
3.	REINFORCEMENT .....	4.081
4.	WASHER - Mounting to support .....	4.081
5.	BOLT - Mounting to support .....	4.081
6.	BOLT - Mounting and arrestor to transmission .....	4.081
7.	WASHER - Mounting and arrestor to transmission .....	4.081
8.	ARRESTOR - Transmission support mounting .....	4.081





**SPEEDOMETER CABLE AND GEAR**

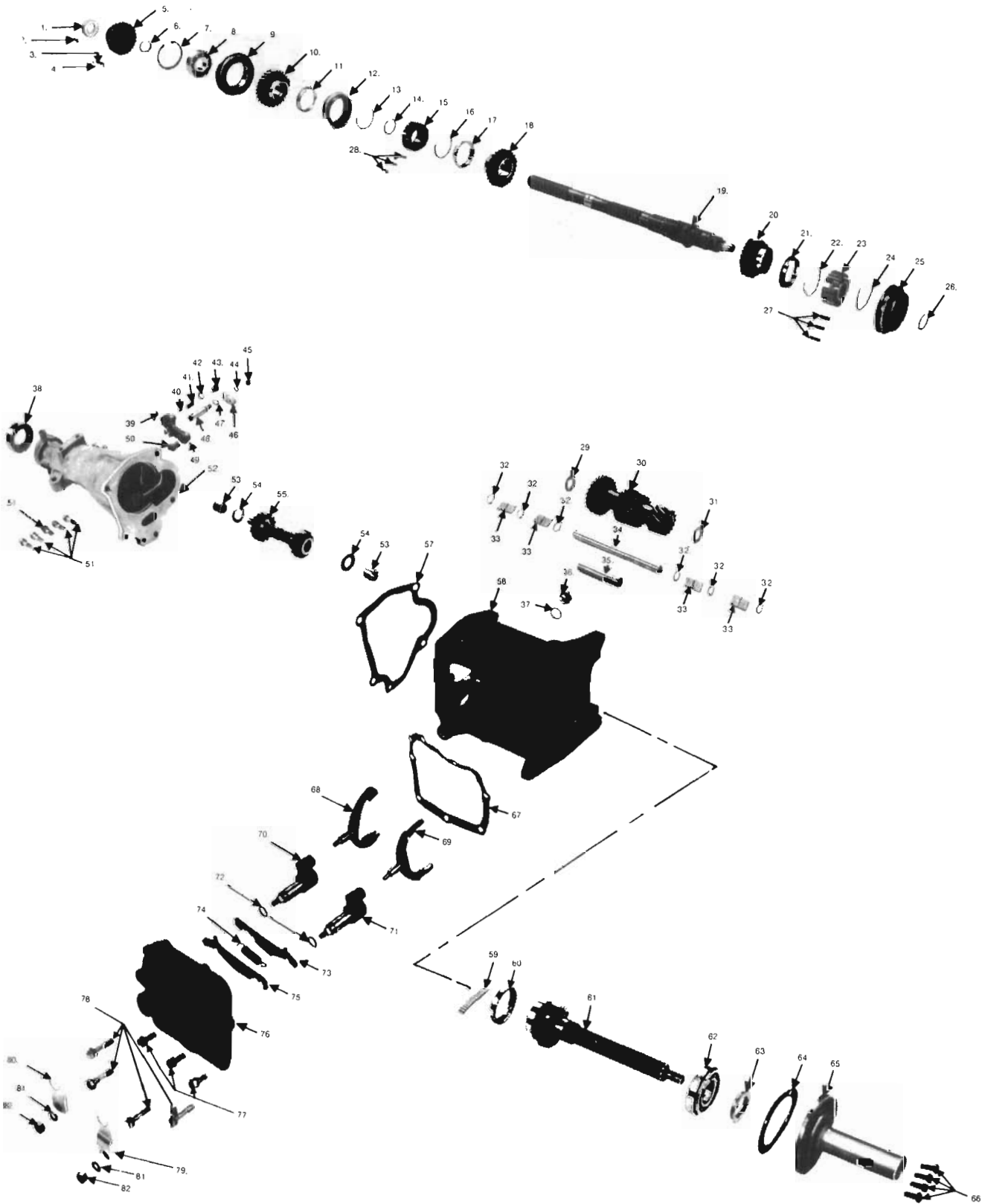
ILLUS. REF. NO.	PART NAME	GROUP
1.	CABLE & CASING ASSEMBLY .....	4.342
2.	GEAR - Driven .....	4.337
3.	SEAL - Driven gear .....	4.338
4.	BOLT - Retainer to transmission .....	4.342
5.	RETAINER - Cable to transmission .....	4.342
6.	CLIP - Cable to floor pan lower .....	4.342



TRANSMISSION  
FOUR SPEED MANUAL CONTROL

ILLUS. REF. NO.	PART NAME	GROUP
1.	SEAL - Housing .....	4.317
2.	CLIP - Drive gear .....	4.337
3.	HOUSING ASSEMBLY .....	4.317
4.	RING - Locating .....	4.412
5.	ADAPTOR - Transmission rear bearing .....	4.317
6.	GASKET .....	4.318
7.	BEARING ASSEMBLY .....	4.408
8.	GEAR - 1st speed .....	4.418
9.	RING - Blocking .....	4.383
10.	SYNCHRONIZER ASSEMBLY - 1st and 2nd speed .....	4.380
11.	FORK - 1st and 2nd speed .....	4.303
12.	RING - Blocking .....	4.383
13.	GEAR .....	4.395
14.	GEAR .....	4.415
15.	RING - Blocking .....	4.383
16.	FORK - 3rd and 4th speed .....	4.303
17.	SYNCHRONIZER ASSEMBLY - 3rd and 4th speed .....	4.380
18.	RING - Blocking .....	4.383
19.	BEARING - Needle roller .....	4.352
20.	BOLT - Retainer to transmission case .....	4.356
21.	RETAINER .....	4.356
22.	GEAR .....	4.351
23.	BEARING .....	4.355
24.	GASKET .....	4.358
25.	WASHER - Gear thrust .....	4.423
26.	GEAR .....	4.421
27.	SHAFT .....	4.428
28.	CASE ASSEMBLY .....	4.103
29.	SPACER - Bearing .....	4.423
30.	WASHER - Bearing .....	4.423
31.	BEARING - Needle roller .....	4.422
32.	WASHER - Housing to case .....	4.317
33.	BOLT ASSEMBLY - Housing to case .....	4.317
34.	GEAR - Reverse .....	4.418
35.	PLATE .....	4.419
36.	GEAR - Drive .....	4.337
37.	SHAFT .....	4.403

"UC" TORANA/HOLDEN SUNBIRD PARTS CATALOGUE

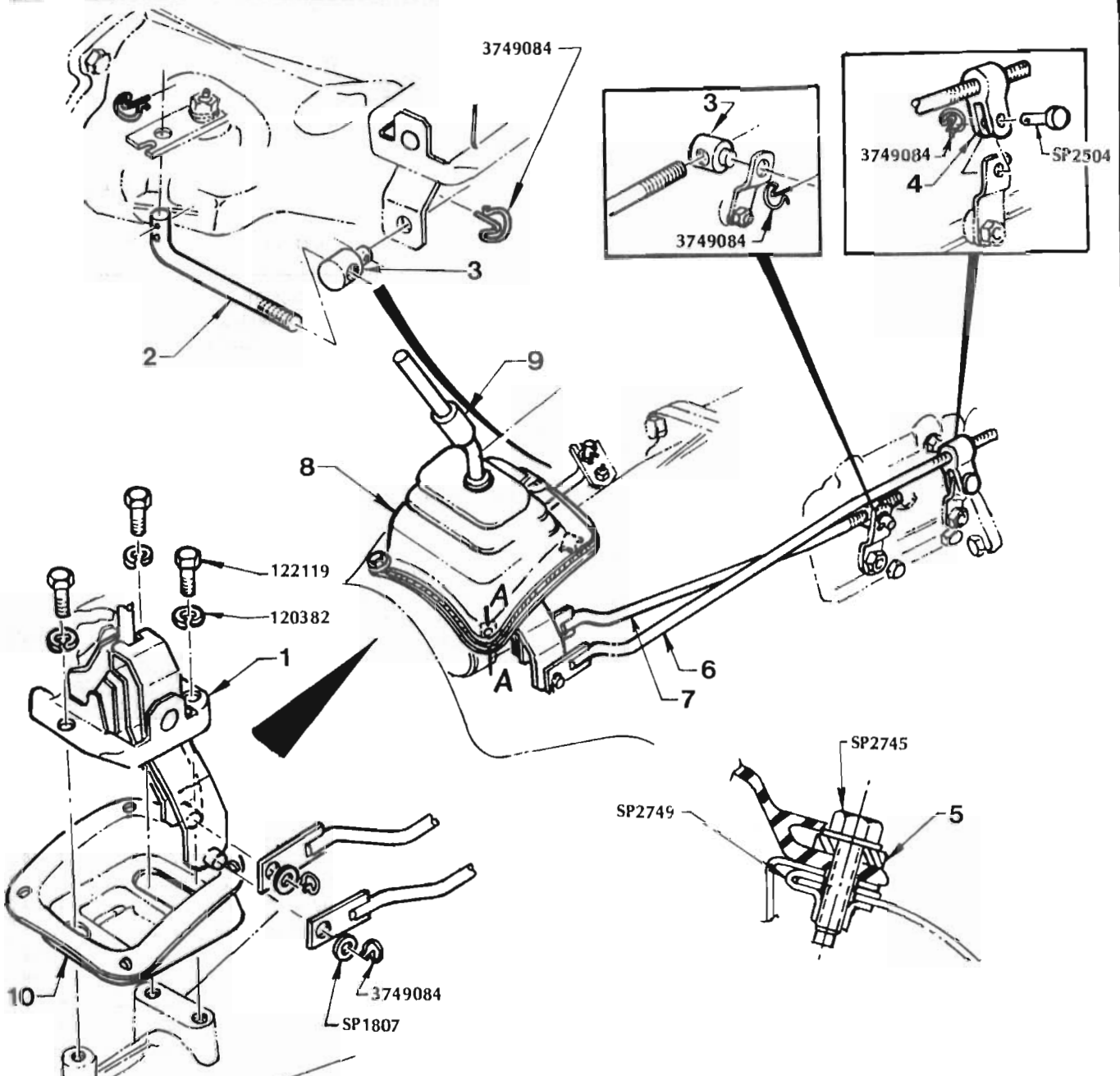


**"UC" TORANA/HOLDEN SUNBIRD PARTS CATALOGUE**

**TRANSMISSION CASE AND GEARS  
4 SPEED MANUAL CONTROL**

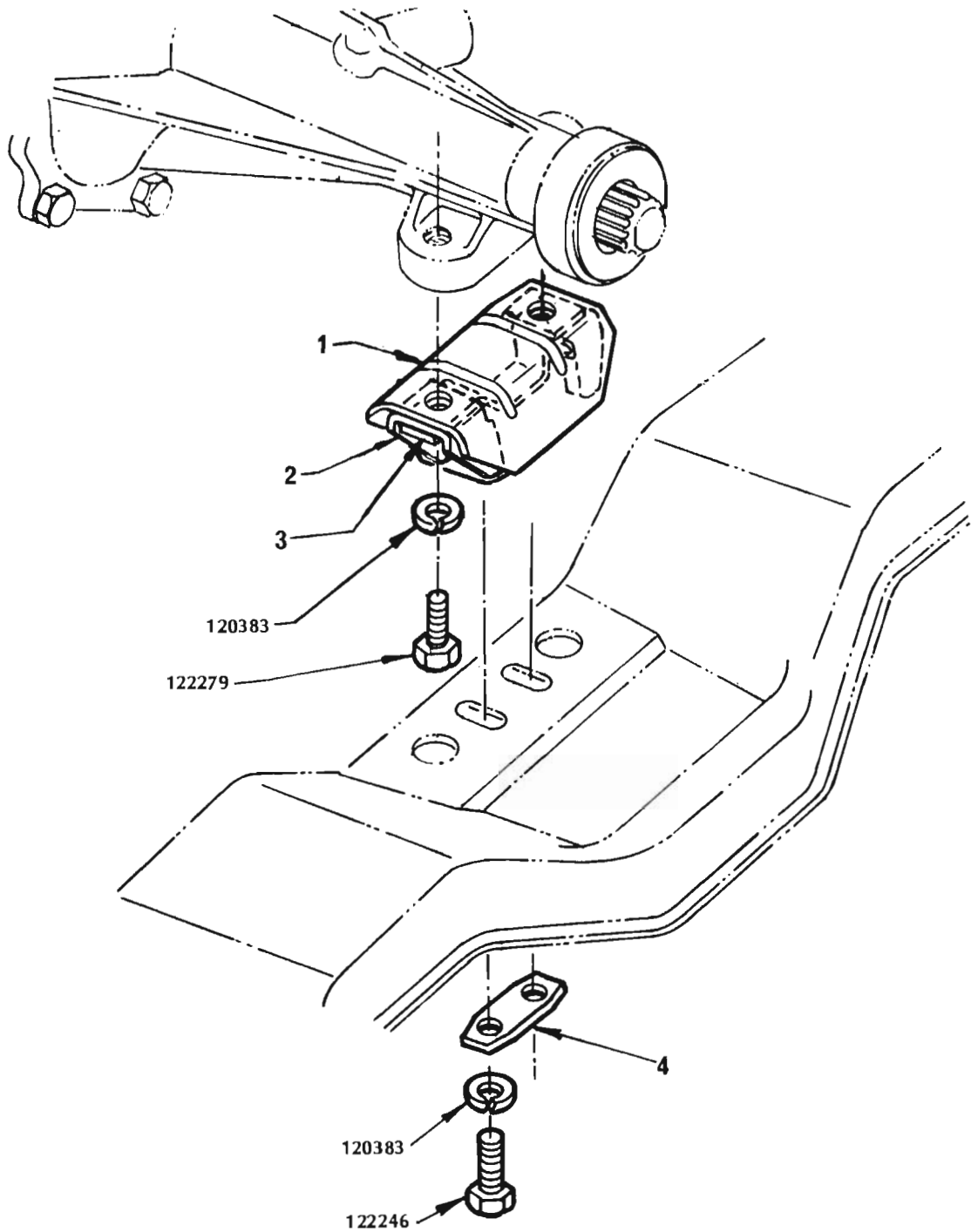
ILLUSTRATION OPPOSITE

ILLUS. REF. NO.	PART NAME	GROUP	ILLUS. REF. NO.	PART NAME	GROUP
1.	GEAR – Drive .....	4.337	41.	SPRING – Reverse detent .....	4.311
2.	CLIP – Drive gear .....	4.337	42.	WASHER – Reverse detent .....	4.311
3.	SPRING – Anti lash plate .....	4.419	43.	BOLT .....	8.900
4.	PLATE – Anti lash .....	4.419	44.	WASHER – Lock .....	8.931
5.	GEAR – Reverse .....	4.418	45.	NUT – Lever to shaft .....	4.045
6.	RING – Mainshaft lock .....	4.412	46.	LEVER – Reverse, external .....	4.045
7.	RING – Locating .....	4.412	47.	SEAL – "O" Ring reverse shift shaft .....	4.309
8.	BEARING – Rear .....	4.408	48.	SHAFT – Reverse shift .....	4.309
9.	ADAPTOR – Rear bearing .....	4.317	49.	LEVER – Reverse internal shift .....	4.316
10.	GEAR – First speed .....	4.418	50.	YOKE – Reverse shifter .....	4.304
11.	RING – Blocking .....	4.383	51.	BOLT .....	8.900
12/13/15/16	SYNCHRONIZER ASSY. – 1st & 2nd speed .....	4.380	52.	HOUSING – Rear extension .....	4.317
13.	SPRING – Synchronizer – 1st & 2nd speed .....	4.383	53.	BUSHING – Reverse idler .....	4.433
14.	RING – Synchronizer retainer – 1st & 2nd speed .....	4.382	54.	WASHER – Idler gear thrust .....	4.432
16.	SPRING – Synchronizer 1st & 2nd speed .....	4.383	55.	GEAR – Reverse idler .....	4.430
17.	RING – Blocking .....	4.383	57.	GASKET – Rear extension housing .....	4.318
18.	GEAR – 2nd speed .....	4.395	58.	CASE – Transmission .....	4.103
19.	SHAFT – Main .....	4.403	59.	BEARING – Needle roller .....	4.352
20.	GEAR – 3rd speed .....	4.415	60.	RING – Blocking .....	4.383
21.	RING – Blocking .....	4.383	61.	GEAR – Clutch .....	4.351
22.	SPRING – Synchronizer 3rd & 4th speed .....	4.383	62.	BEARING – Clutch gear .....	4.355
22/23/24/25	SYNCHRONIZER ASSY. – 3rd & 4th speed .....	4.380	63.	RING – Clutch gear bearing retainer .....	4.357
24.	SPRING – Synchronizer 3rd & 4th speed .....	4.383	64.	GASKET – Bearing retainer .....	4.358
26.	RING – Synchronizer retainer 3rd & 4th speed .....	4.382	65.	RETAINER – Clutch gear bearing .....	4.356
27.	KEY – Synchronizer 3rd & 4th speed .....	4.384	66.	BOLT .....	8.900
28.	KEY – Synchronizer 1st & 2nd speed .....	4.384	67.	GASKET – Cover .....	4.109
29.	WASHER – Gear thrust .....	4.423	68.	FORK – 1st & 2nd speed shift .....	4.303
30.	GEAR – Counter .....	4.421	69.	FORK – 3rd & 4th speed shift .....	4.303
31.	WASHER – Gear thrust .....	4.423	70.	SHAFT ASSY. – Shifter fork .....	4.309
32.	WASHER – Counter shaft bearing .....	4.423	71.	SHAFT ASSY. – Shifter fork .....	4.309
33.	BEARING – Needle roller .....	4.422	72.	SEAL – "O" Ring shift shaft .....	4.309
34.	SHAFT – Counter gear .....	4.428	73.	CAM – 1st & 2nd speed detent .....	4.311
35.	SPACER – Counter gear bearing .....	4.423	74.	SPRING – Detent cam .....	4.311
36.	PLUG – Filler .....	4.103	75.	CAM – 3rd & 4th speed detent .....	4.311
37.	GASKET – Filler plug .....	4.103	76.	COVER .....	4.105
38.	SEAL – Extension housing oil .....	4.317	77.	BOLT .....	8.900
39.	PIN .....	8.941	78.	BOLT .....	8.900
40.	BALL – Reverse detent .....	4.311	79.	LEVER – 3rd & 4th speed shift .....	4.045
			80.	LEVER – 1st & 2nd speed shift .....	4.045
			81.	WASHER – Lock .....	8.931
			82.	NUT – Lever to shaft .....	4.045



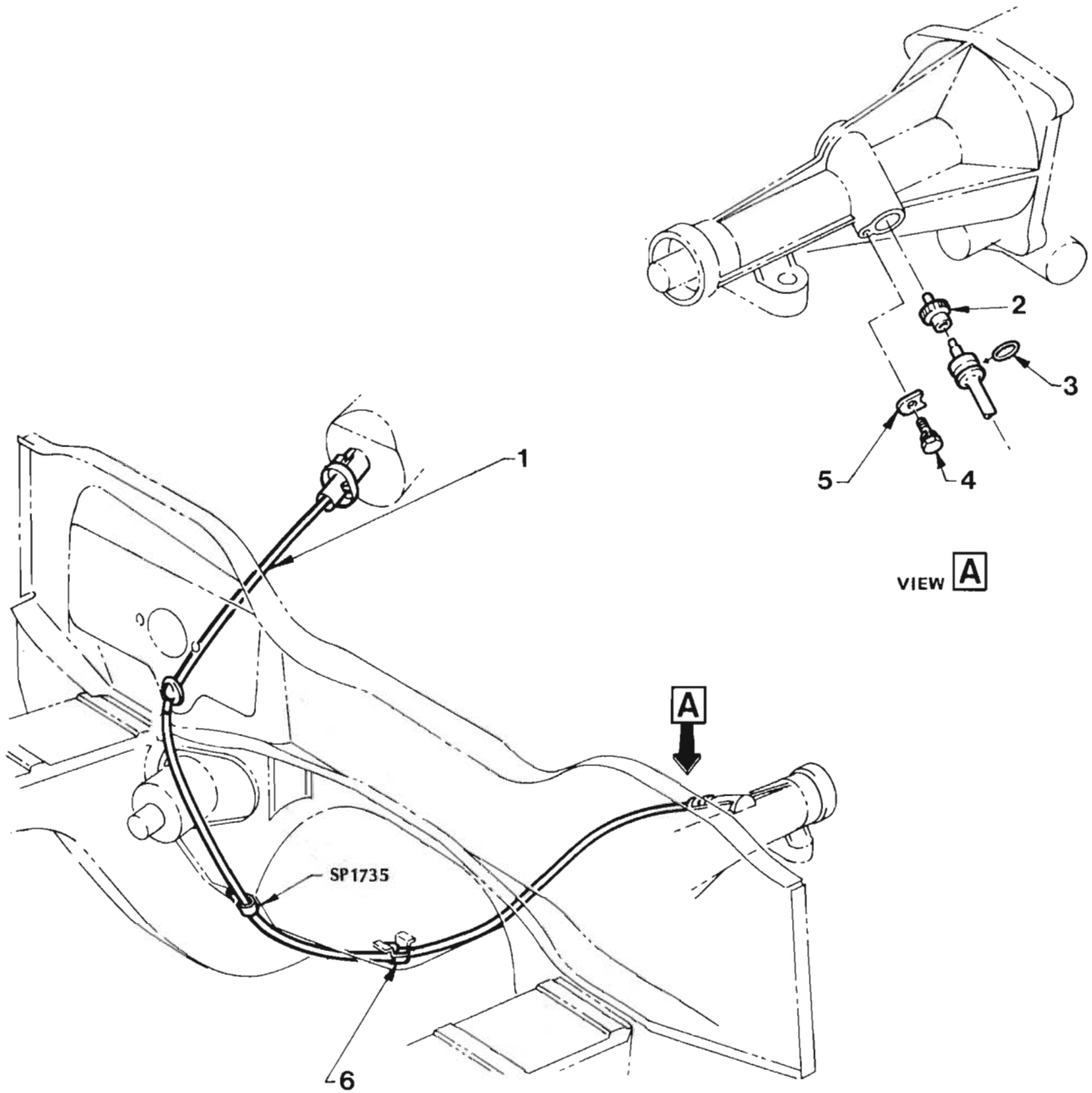
**TRANSMISSION CONTROL LINKAGE  
6 CYLINDER ENGINE**

ILLUS. REF. NO.	PART NAME	GROUP
1.	MOUNTING & LEVER ASSEMBLY .....	4.006
2.	ROD - Reverse .....	4.035
3.	TRUNNION - Reverse rod .....	4.035
4.	ADJUSTER - 3rd and 4th speed rod .....	4.035
5.	RETAINER - Floor pan boot .....	4.015
6.	ROD - 3rd and 4th speed .....	4.035
7.	ROD - 1st and 2nd speed .....	4.035
8.	BOOT - Floor pan .....	4.015
9.	BUSH - Control lever .....	4.006
10.	SEAL .....	4.015



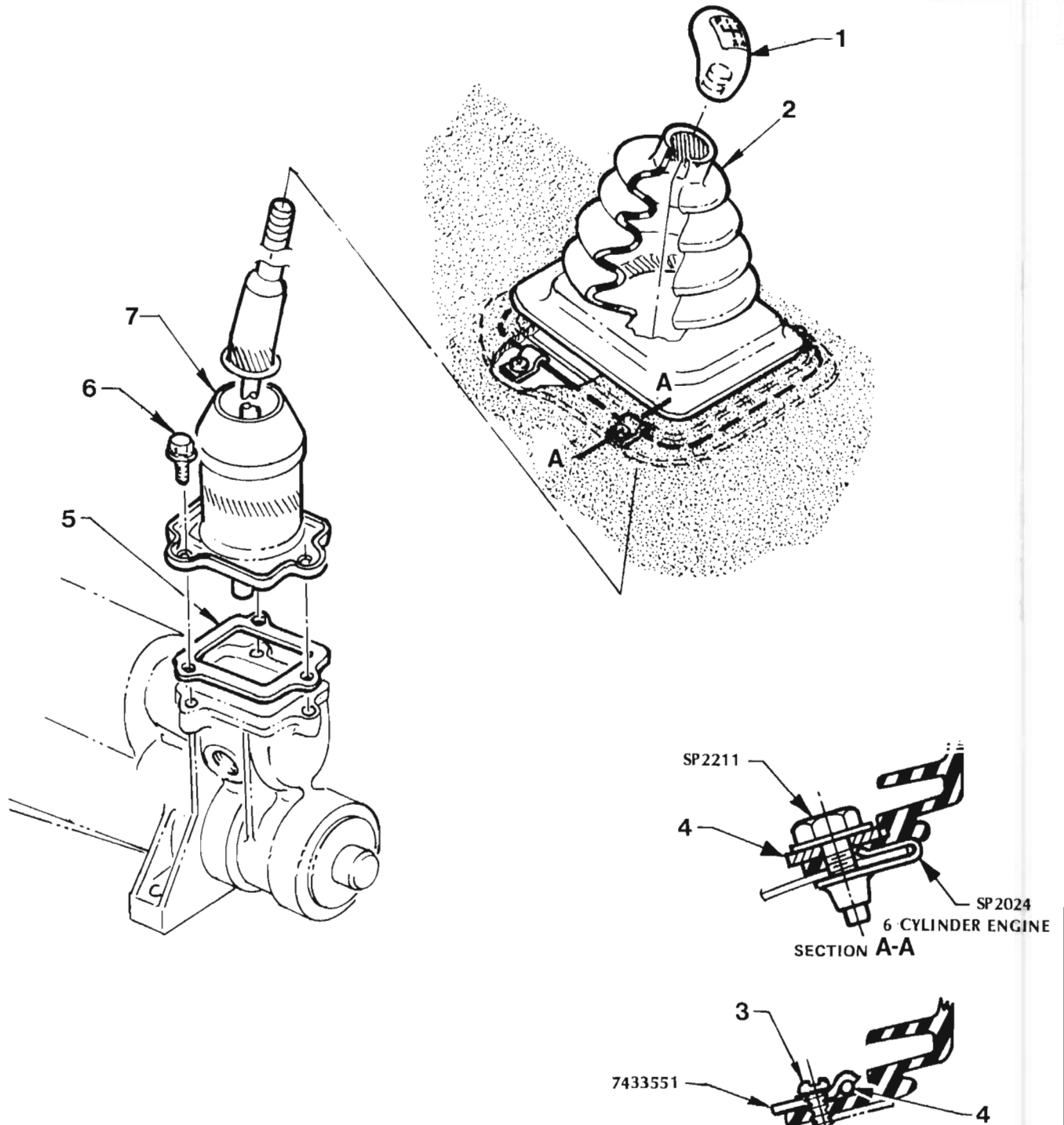
TRANSMISSION MOUNTING  
Four Speed

ILLUS. REF. NO.	PART NAME	GROUP
1.	MOUNTING ASSEMBLY .....	4.081
2.	ARRESTOR - Rear side mounting .....	4.081
3.	ARRESTOR - Rear mounting .....	4.081
4.	SPACER - Mounting to crossmember .....	4.081



**SPEEDOMETER CABLE AND GEAR**

ILLUS. REF. NO.	PART NAME	GROUP
1.	CABLE & CASING ASSEMBLY .....	4.342
2.	GEAR - Driven .....	4.337
3.	SEAL - Driven gear .....	4.338
4.	BOLT - Retainer to transmission .....	4.342
5.	RETAINER - Cable to transmission .....	4.342
6.	CLIP - Cable to floor pan lower .....	4.342



TRANSMISSION CONTROL

ILLUS.  
REF. NO.

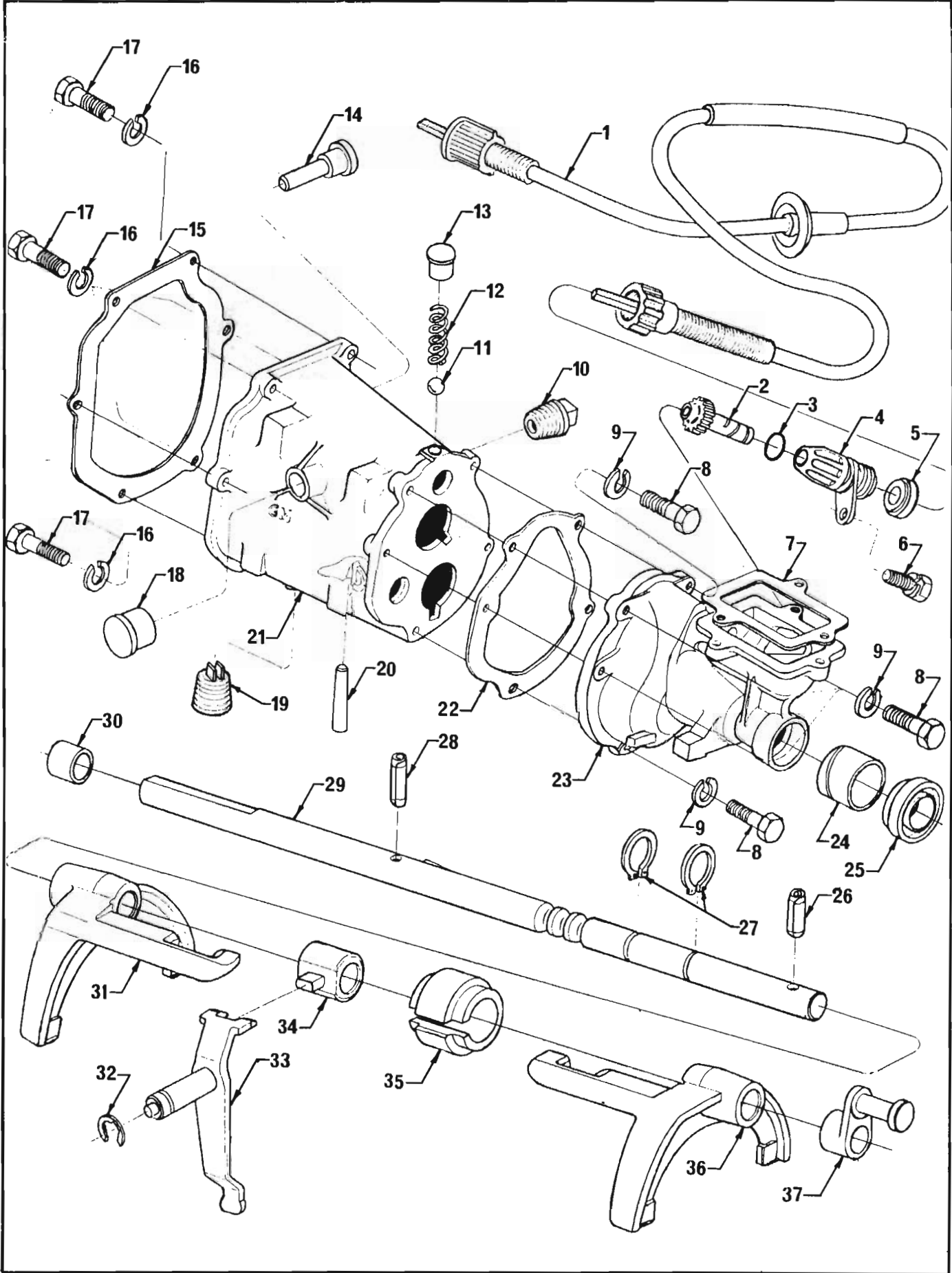
PART NAME

SECTION A-A  
GROUP

1.	KNOB - Gearshift control lever .....	4.009
2.	BOOT - Lever to floor .....	4.015
3.	SCREW - Retainer to floor .....	4.015
4.	RETAINER - Lever boot to floor .....	4.015
5.	GASKET - Gearshift control .....	4.011
6.	BOLT & WASHER ASSEMBLY - Control to extension housing	4.010
7.	CONTROL ASSEMBLY - Gearshift .....	4.010



"UC" TORANA/HOLDEN SUNBIRD PARTS CATALOGUE



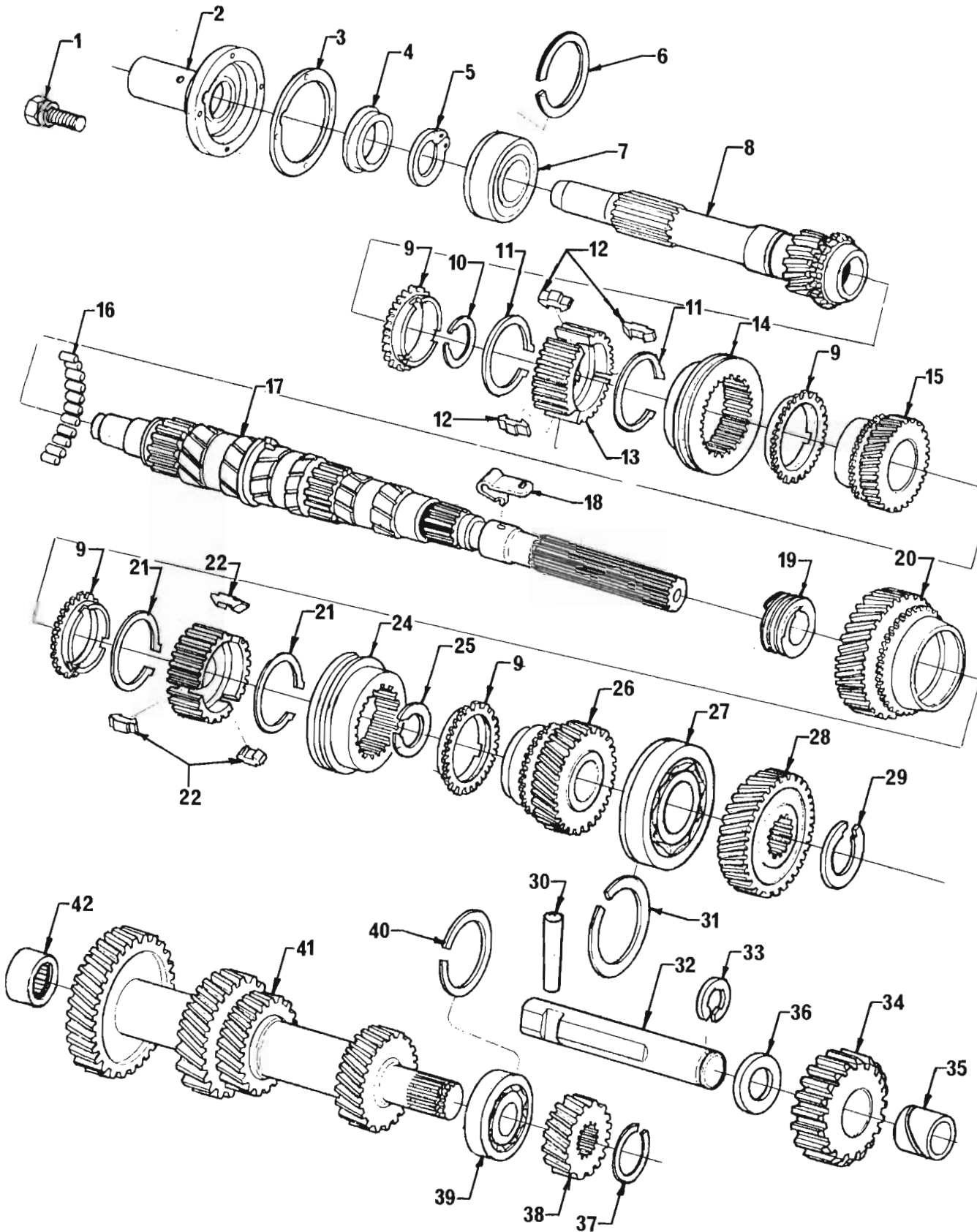
"TORQUEMASTER"

TRANSMISSION CASE AND SPEEDOMETER DRIVE  
FOUR SPEED MANUAL CONTROL

ILLUSTRATION OPPOSITE

ILLUS. REF. NO.	PART NAME	GROUP
1.	CABLE AND CASING - Speedometer .....	4.342
2.	GEAR - Speedometer - Driven .....	4.337
3.	SEAL - Speedometer driven gear guide .....	4.338
4.	GUIDE - Speedometer driven gear .....	4.337
5.	SEAL - Speedometer cable .....	4.342
6.	BOLT - Guide to extension housing .....	4.337
7.(A)	GASKET - Gearshift control .....	4.011
8.	BOLT - Extension housing to case .....	4.317
9.	WASHER - Extension housing to case .....	4.317
10.	PLUG - Filler .....	4.103
11.	BALL - Detent .....	4.311
12.	SPRING - Detent .....	4.311
13.	CAP - Detent spring retaining .....	4.311
14.	PIN - Interlock sleeve stop .....	4.307
15.(A)	GASKET - Transmission case to clutch housing .....	4.004
16.	WASHER - Clutch housing to transmission case .....	4.003
17.	BOLT - Clutch housing to transmission case .....	4.003
18.	PLUG - Reverse lever sealing .....	4.316
19.	PLUG - Drain .....	4.103
20.	PIN - Reverse idler gear shaft .....	4.433
21.	CASE - Transmission .....	4.103
22.(A)	GASKET - Transmission extension housing .....	4.318
23.	HOUSING - Rear extension .....	4.317
24.	BUSH - Extension housing .....	4.317
25.	SEAL - Extension housing .....	4.317
26.	PIN - Lever to shifter shaft .....	4.309
27.	RING - Shifter shaft stop .....	4.309
28.	PIN - Lever to shifter shaft .....	4.307
29.	SHAFT - Transmission shift .....	4.309
30.	PLUG - Sealing .....	4.309
31.	FORK - 3rd & 4th speed shift .....	4.303
32.	RING - Reverse lever lock .....	4.316
33.	LEVER - Reverse shift .....	4.316
34.	LEVER - Selector fork engaging .....	4.307
35.	SLEEVE - Interlock .....	4.307
36.	FORK - 1st & 2nd speed shift .....	4.303
37.	LEVER - Shifter shaft actuating .....	4.309

NOTE: (A) Included in Gasket Kit, Group 4.005

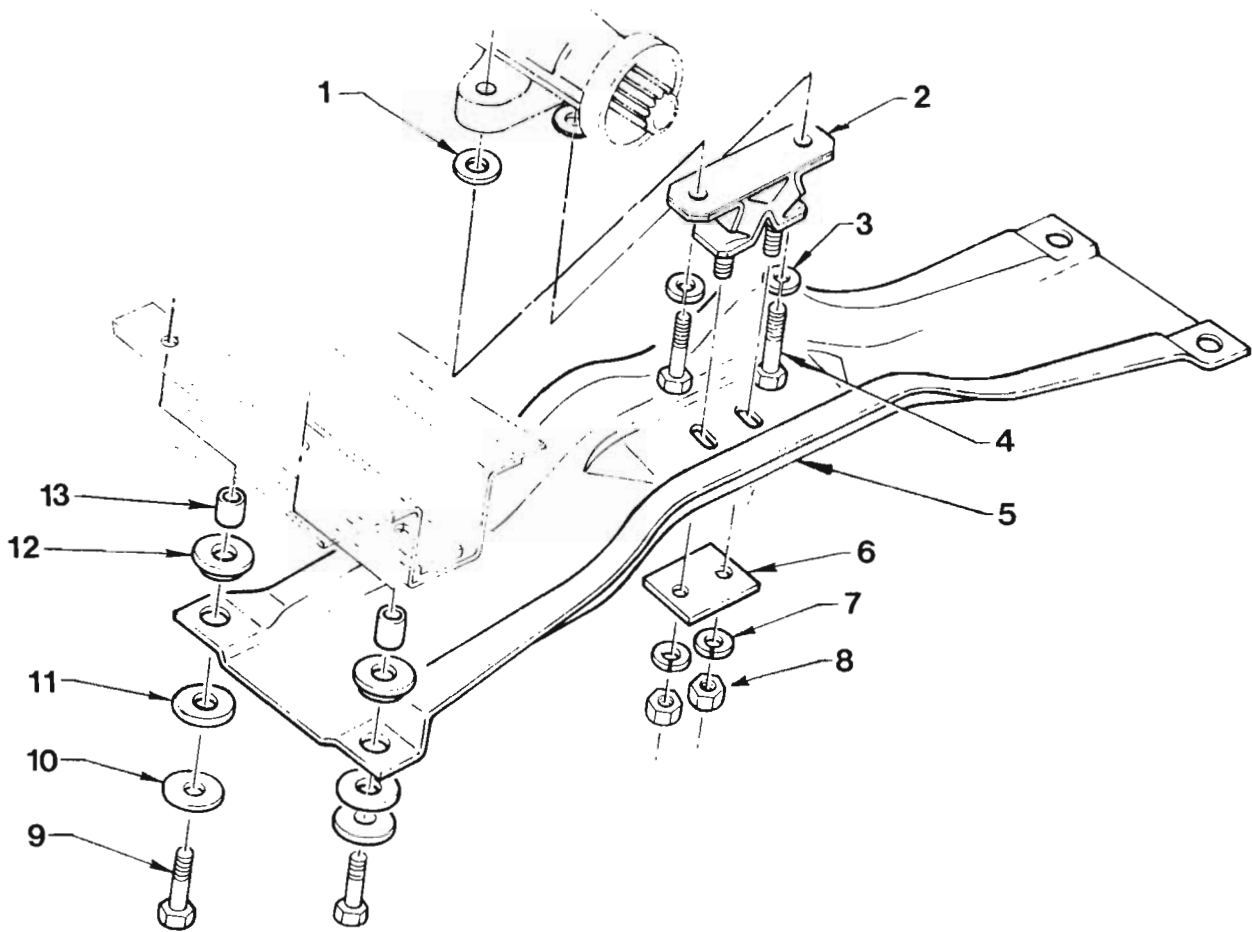


**TORQUEMASTER  
TRANSMISSION GEARS  
FOUR SPEED MANUAL CONTROL**

ILLUSTRATION OPPOSITE

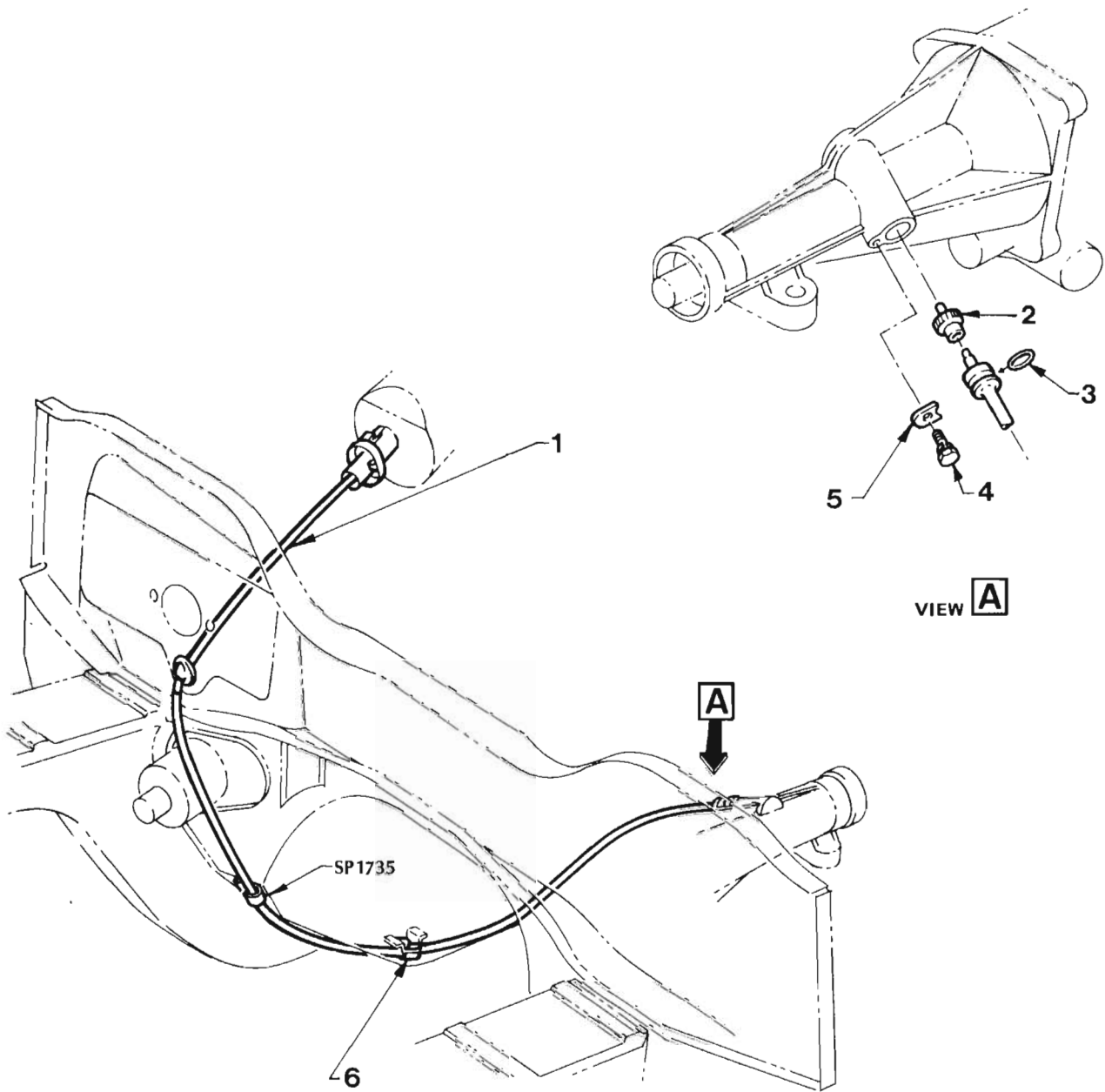
ILLUS. REF. NO.	PART NAME	GROUP
1.	BOLT - Clutch gear bearing retainer .....	4.356
2.	RETAINER - Clutch gear bearing .....	4.356
3 (A)	GASKET - Clutch gear bearing retainer .....	4.358
4.	SEAL - Clutch gear oil .....	4.354
5.	RING - Clutch gear bearing - Retainer .....	4.376
6.	RING - Clutch gear bearing - Locating .....	4.376
7.	BEARING - Clutch gear .....	4.355
8.	GEAR - Clutch .....	4.351
9.	RING - Synchronizer blocking .....	4.383
10.	RING - Synchronizer retainer 3rd & 4th speed .....	4.382
11-14.	SYNCHRONIZER ASSEMBLY - 3rd & 4th speed .....	4.380
11.	SPRING - Synchronizer .....	4.383
12.	KEY - Synchronizer .....	4.384
15.	GEAR - 3rd speed .....	4.415
16.	BEARING - Main shaft - Front .....	4.352
17.	SHAFT - Main .....	4.403
18.	CLIP - Drive gear .....	4.337
19.	GEAR - Speedometer - Drive .....	4.337
20.	GEAR - 2nd speed .....	4.395
21-24.	SYNCHRONIZER ASSEMBLY - 1st & 2nd speed .....	4.380
21.	SPRING - Synchronizer .....	4.383
22.	KEY - Synchronizer .....	4.384
25.	RING - Synchronizer retainer 1st & 2nd speed .....	4.382
26.	GEAR - 1st speed .....	4.418
27.	BEARING - Mainshaft - Rear .....	4.408
28.	GEAR - Reverse .....	4.418
29.	RING - Mainshaft lock .....	4.412
30.	PIN - Reverse idler gear shaft .....	4.433
31.	RING - Bearing locating .....	4.412
32.	SHAFT - Reverse idler .....	4.433
33.	RING - Reverse idler gear - Lock .....	4.432
34.	GEAR - Reverse idler .....	4.430
35.	BUSH - Reverse idler gear .....	N.S.S.
36.	RING - Reverse idler gear - Retaining .....	4.432
37.	RING - Counter gear - Lock .....	4.423
38.	GEAR - Counter reverse .....	4.421
39.	BEARING - Counter gear rear .....	4.422
40.	RING - Counter gear - Locating .....	4.423
41.	GEAR - Counter .....	4.421
42.	BEARING - Counter gear needle roller .....	4.422

NOTE: (A) Included in Gasket Kit, Group 4.005



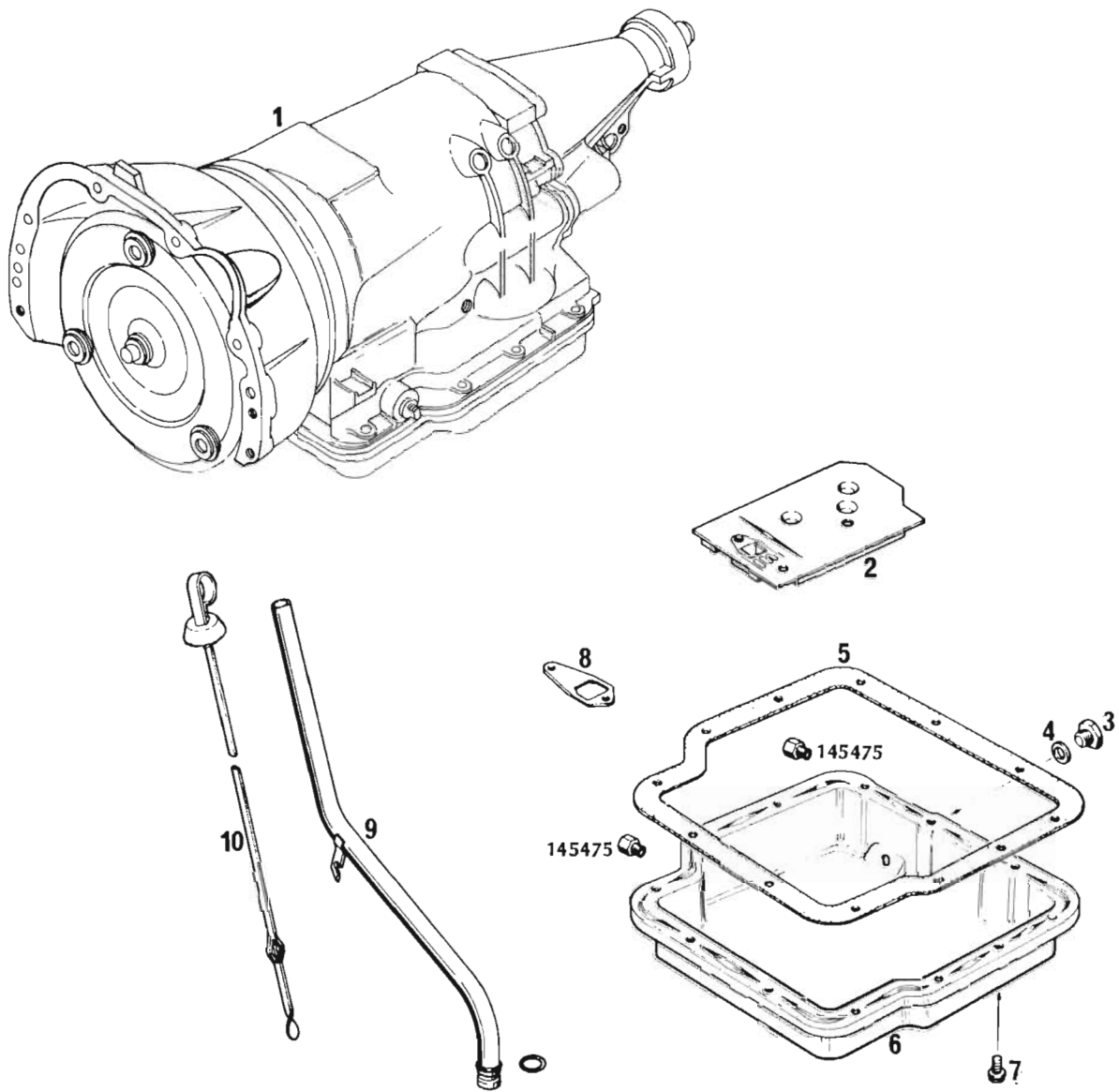
**TRANSMISSION MOUNTING**  
**OPEL - 4 CYLINDER ENGINE**

ILLUS. REF. NO.	PART NAME	GROUP
1.	SPACER .....	4.081
2.	MOUNTING ASSEMBLY .....	4.081
3.	WASHER - Mounting to transmission .....	4.081
4.	BOLT - Mounting to transmission .....	4.081
5.	SUPPORT - Rear mounting .....	12.982
6.	REINFORCEMENT .....	4.081
7.	WASHER - Mounting to support .....	4.081
8.	NUT - Mounting to support .....	4.081
9.	BOLT - Support to underbody .....	12.982
10.	WASHER - Support to underbody .....	12.982
11.	INSULATOR - Engine rear mounting support lower .....	12.982
12.	INSULATOR - Engine rear mounting support upper .....	12.982
13.	SPACER - Engine rear mounting support .....	12.982



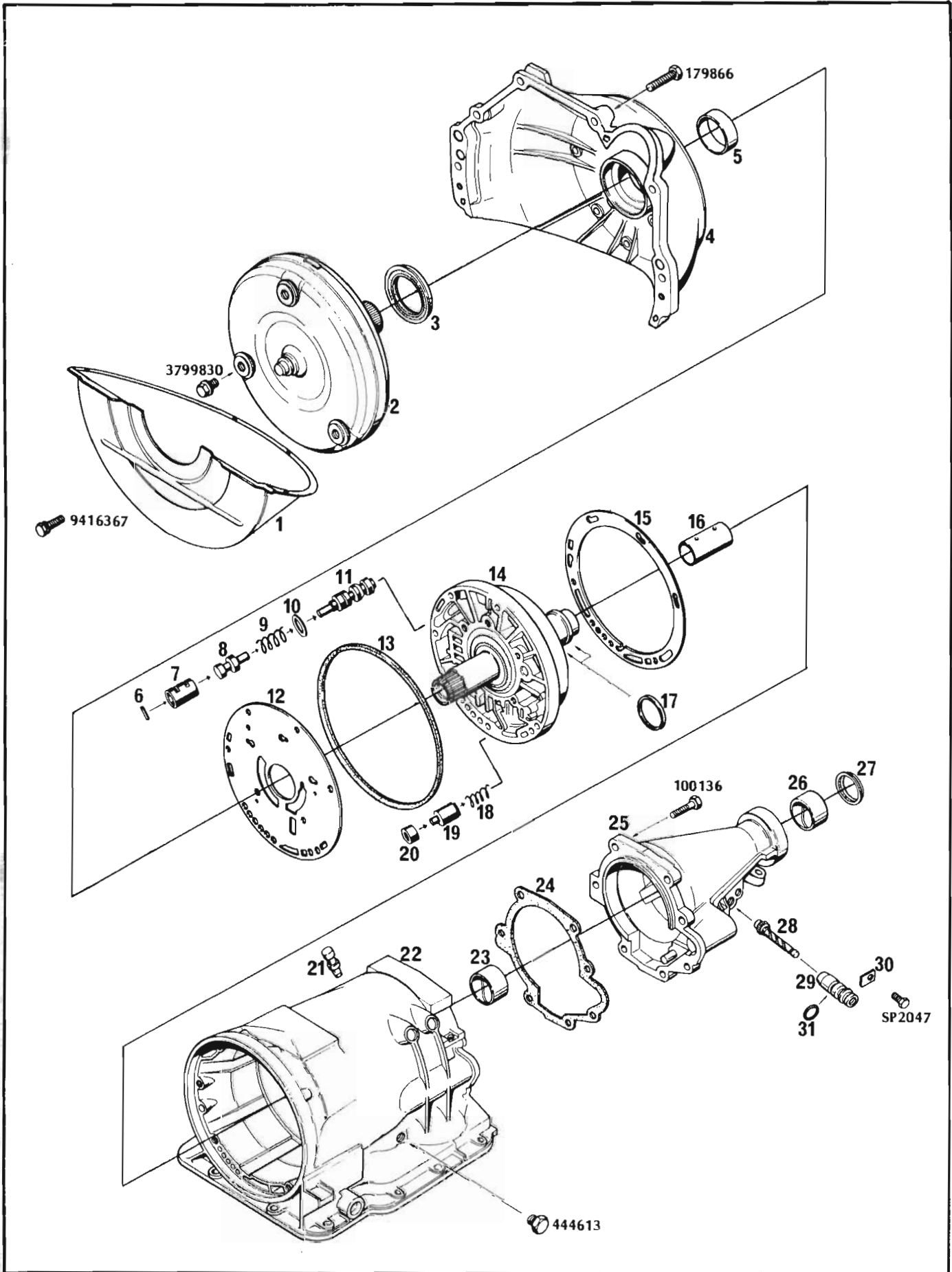
SPEEDOMETER CABLE AND GEAR

ILLUS. REF. NO.	PART NAME	GROUP
1.	CABLE & CASING ASSEMBLY .....	4.342
2.	GEAR - Driven .....	4.337
3.	SEAL - Driven gear .....	4.338
4.	BOLT - Retainer to transmission .....	4.342
5.	RETAINER - Cable to transmission .....	4.342
6.	CLIP - Cable to floor pan lower .....	4.342



OIL PAN and INDICATOR

ILLUS. REF. NO.	PART NAME	GROUP
1.	TRANSMISSION ASSEMBLY .....	4.003
2.	SCREEN ASSEMBLY - Oil pump suction .....	4.224
3.	PLUG - Oil pan drain .....	4.195
4.	GASKET - Oil pan drain plug .....	4.195
5.	GASKET - Oil pan .....	4.196
6.	PAN - Oil .....	4.195
7.	SCREW - Oil pan .....	4.195
8.	GASKET - Oil pump suction screen .....	4.223
9.	TUBE - Oil filler .....	4.133
10.	INDICATOR - Oil level .....	4.133



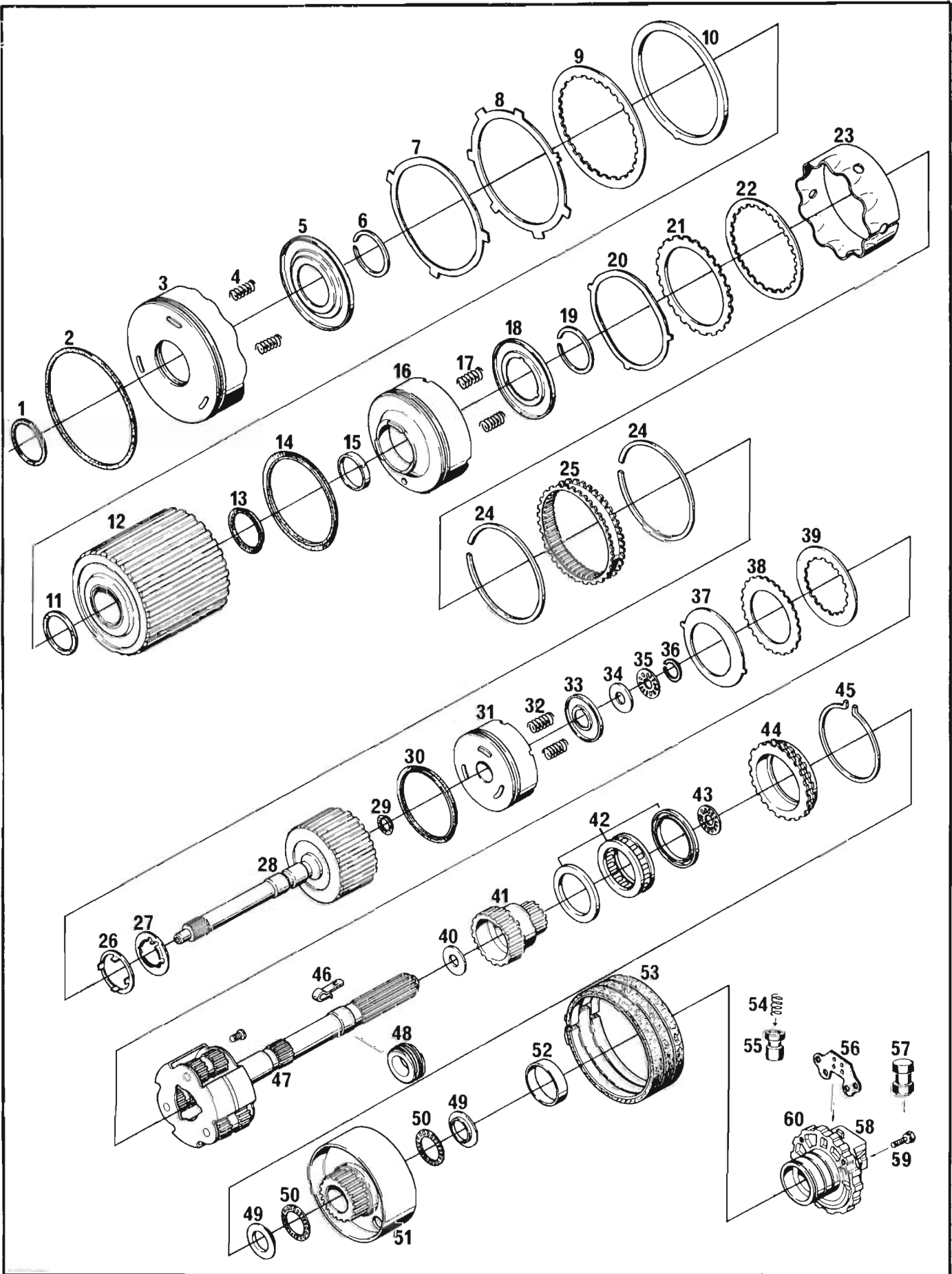


**CONVERTER and OIL PUMP  
Trimatic Transmission**

**ILLUSTRATION OPPOSITE**

ILLUS. REF. NO.	PART NAME	GROUP
1.	COVER – Transmission converter .....	0.679
2.	CONVERTER ASSEMBLY .....	4.156
3.	SEAL – Converter housing .....	0.683
4.	HOUSING – Converter .....	0.683
5.	BUSH – Converter housing .....	0.683
6.	PIN – Pressure regulator valve – Chamfer 1/8" x 1.1/4" .....	4.226
7.	SLEEVE – Pressure regulator booster valve .....	4.226
8.	VALVE – Pressure regulator booster .....	4.226
9.	SPRING – Pressure regulator valve .....	4.226
10.	SEAT – Pressure regulator valve spring .....	4.226
11.	VALVE – Pressure regulator .....	4.226
12.	PLATE – Wear .....	4.226
13.	SEAL – Oil pump outer .....	4.226
14.	BODY & GEAR PACKAGE .....	4.226
15.	GASKET – Oil pump to case .....	4.226
16.	BUSH – Oil pump body .....	4.226
17.	SEAL – 2nd clutch piston .....	4.166
18.	SPRING – Priming valve .....	4.226
19.	VALVE – Priming .....	4.226
20.	RETAINER – Priming valve .....	4.226
21.	VENT ASSEMBLY – Transmission .....	4.104
22.	CASE ASSEMBLY – Transmission .....	4.103
23.	BUSH – Transmission case .....	4.103
24.	GASKET – Transmission rear bearing housing .....	4.318
25.	HOUSING – Rear bearing .....	4.317
26.	BUSH – Rear bearing housing .....	4.317
27.	SEAL – Rear bearing housing .....	4.317
28.	GEAR – Speedometer driven .....	4.337
29.	CABLE & CASING .....	4.342
30.	RETAINER – Casing drive end .....	4.342
31.	SEAL – "O" Ring .....	4.338

"UC" TORANA/HOLDEN SUNBIRD PARTS CATALOGUE

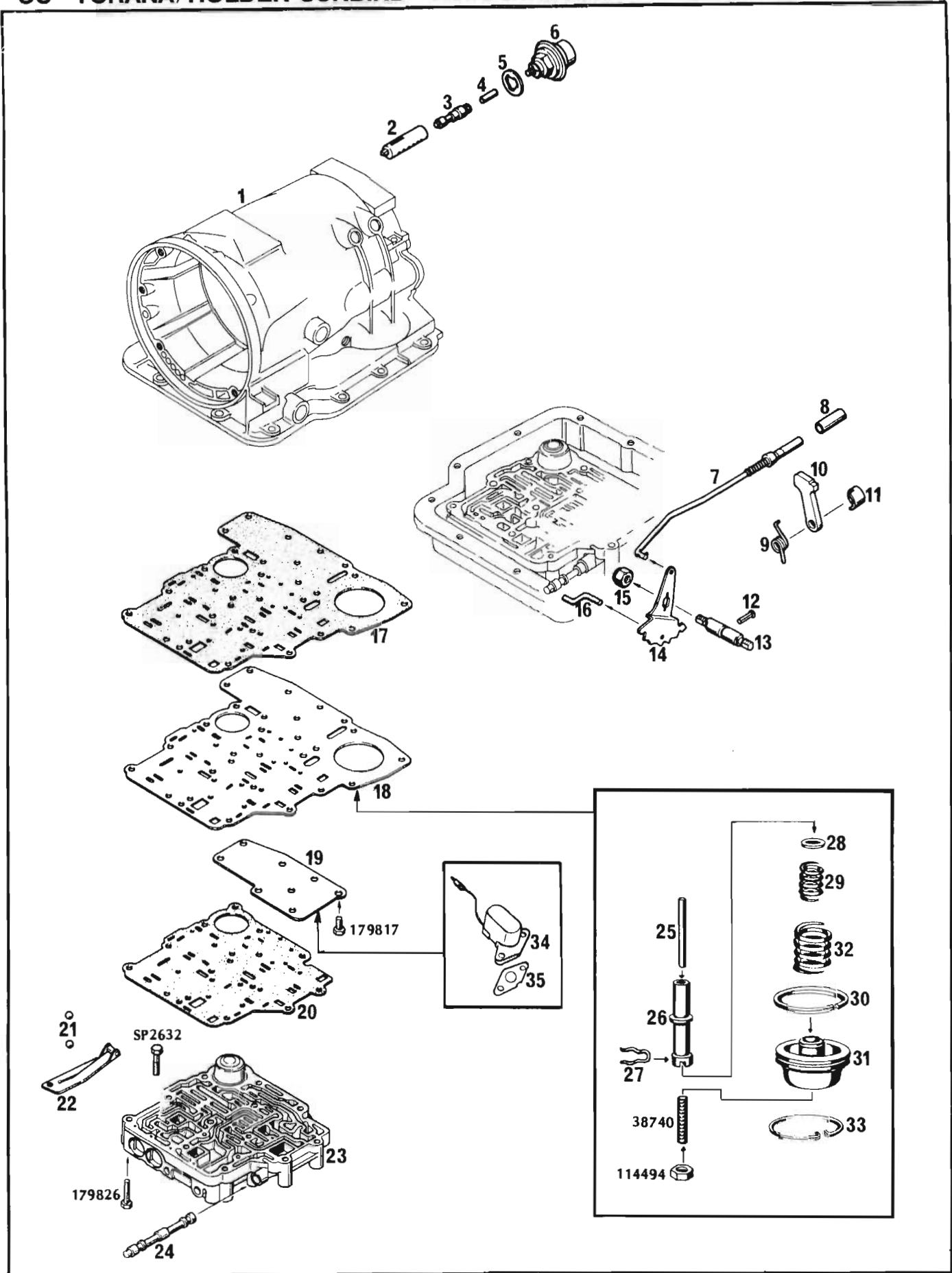


# "UC" TORANA/HOLDEN SUNBIRD PARTS CATALOGUE

## TRANSMISSION ASSEMBLY Trimatic

ILLUSTRATION OPPOSITE

ILLUS. REF. NO.	PART NAME	GROUP
1.	SEAL - Reverse clutch inner .....	4.166
2.	SEAL - Reverse clutch outer .....	4.166
3.	PISTON - Reverse clutch .....	4.166
4.	SPRING - Reverse clutch piston .....	4.164
5.	SEAT - Reverse clutch piston return spring .....	4.189
6.	RING - Reverse clutch piston .....	4.128
7.	PLATE - Reverse clutch cushion .....	4.163
8.	PLATE - Reverse clutch reaction .....	4.163
9.	PLATE - Reverse clutch drive .....	4.163
10.	PLATE - Reverse clutch pressure .....	4.163
11.	WASHER - Thrust .....	4.129
12.	DRUM ASSEMBLY - Second clutch .....	4.158
13.	SEAL - Second clutch piston inner .....	4.166
14.	SEAL - Second clutch piston outer .....	4.166
15.	BUSH - Second clutch .....	4.158
16.	PISTON - Second clutch .....	4.166
17.	SPRING - Second clutch piston .....	4.164
18.	SEAT - Second clutch piston .....	4.165
19.	RING - Second clutch seat retainer .....	4.128
20.	PLATE - Second clutch cushion .....	4.163
21.	PLATE - Second clutch driven .....	4.163
22.	PLATE - Second clutch drive .....	4.163
23.	SPACER - Second clutch plate .....	4.163
24.	RING - Ring gear retaining .....	4.128
25.	GEAR - Ring .....	4.187
26.	WASHER - Second and third clutch - Bronze .....	4.129
27.	WASHER - Clutch .....	4.129
28.	DRUM & INPUT SHAFT ASSEMBLY - Third clutch ...	4.153
29.	SEAL - Third clutch piston inner .....	4.166
30.	SEAL - Third clutch piston outer .....	4.166
31.	PISTON - Third clutch .....	4.166
32.	SPRING - Third clutch .....	4.164
33.	SEAT - Third clutch piston spring .....	4.165
34.	WASHER - Input sun gear to carrier .....	4.177
35.	BEARING - Sun gear to carrier .....	4.177
36.	RING - Third clutch piston spring retainer .....	4.128
37.	CUSHION - Third clutch .....	4.163
38.	PLATE - Third clutch driven .....	4.163
39.	PLATE - Third clutch drive .....	4.163
40.	WASHER - Input sun gear to carrier .....	4.177
41.	GEAR - Input sun .....	4.177
42.	SPRAG ASSEMBLY - Input .....	4.158
43.	BEARING - Input sun gear .....	4.177
44.	RACE & RETAINER - Third clutch input sprag .....	4.158
45.	RING - Third clutch retainer .....	4.128
46.	CLIP - Speedometer drive gear .....	4.337
47.	CARRIER ASSEMBLY - Planet .....	4.177
48.	GEAR - Speedometer drive .....	4.337
49.	WASHER - Reaction sun gear and drum .....	4.129
50.	BEARING - Reaction sun gear .....	4.177
51.	GEAR & DRUM ASSEMBLY - Reaction .....	4.251
52.	SLEEVE - Reaction sun gear bearing .....	4.177
53.	BAND ASSEMBLY - Reaction .....	4.251
54.	SPRING - Secondary valve .....	4.256
55.	VALVE - Secondary .....	4.256
56.	GASKET - Valve body .....	4.256
57.	VALVE - Primary .....	4.256
58.	BODY - Valve .....	4.256
59.	SCREW & LOCK WASHER .....	4.256
60.	GOVERNOR ASSEMBLY .....	4.256

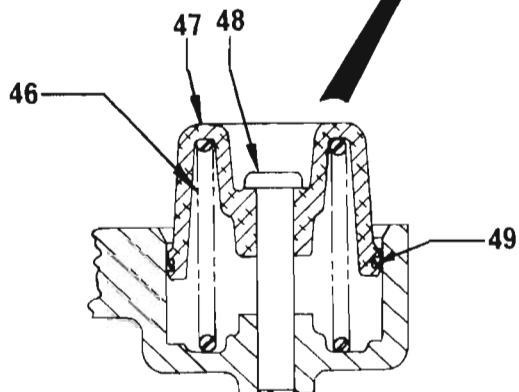
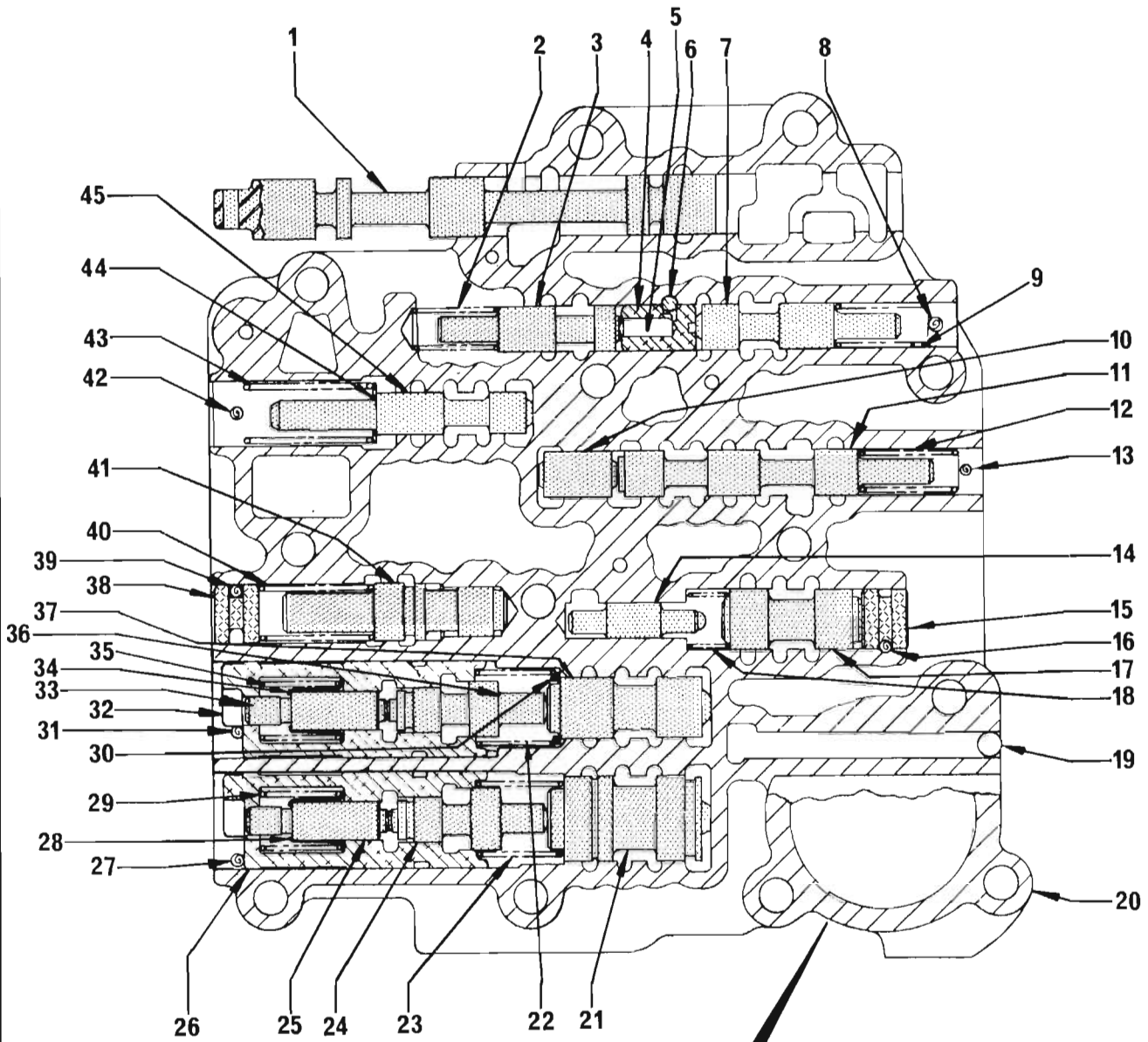


**PARK BRAKE, MODULATOR and SERVO**

**Trimatic TRANSMISSION**

**ILLUSTRATION OPPOSITE**

ILLUS. REF. NO.	PART NAME	GROUP
1.	CASE ASSEMBLY – Transmission .....	4.103
2.	SLEEVE – Vacuum modulator valve .....	4.265
3.	VALVE – Vacuum modulator .....	4.265
4.	PLUNGER – Vacuum modulator .....	4.265
5.	GASKET – Vacuum modulator valve .....	4.265
6.	MODULATOR ASSEMBLY – Vacuum .....	4.265
7.	ACTUATOR ASSEMBLY – Parking brake lock .....	4.294
8.	SHAFT – Pawl .....	4.294
9.	SPRING – Pawl disengaging .....	4.295
10.	PAWL – Parking brake lock .....	4.294
11.	SLEEVE – Actuator .....	4.294
12.	PIN – Park lock and range selector retaining .....	4.279
13.	SHAFT – Park lock and range selector .....	4.294
14.	LEVER – Park lock and range selector .....	4.279
15.	NUT – Lever attaching .....	4.279
16.	LEVER – Park lock and range selector inner .....	4.279
17.	GASKET – Transfer plate to case .....	4.265
18.	PLATE – Transfer .....	4.265
19.	REINFORCEMENT – Transfer plate .....	4.265
20.	GASKET – Transfer plate to valve body .....	4.265
21.	BALL – Valve body .....	4.265
22.	ROLLER & SPRING ASSEMBLY .....	4.279
23.	BODY – Valve .....	4.265
24.	VALVE – Manual .....	4.265
25.	ROD – Servo piston apply .....	4.230
26.	} PISTON ASSEMBLY – Servo .....	4.228
27.		
28.		
29.		
30.		
31.		
32.	SPRING – Servo piston return .....	4.233
33.	RING – Servo piston retainer .....	4.128
34.	SOLENOID & CONNECTOR ASSEMBLY – Detent .....	4.265
35.	GASKET – Solenoid .....	4.265

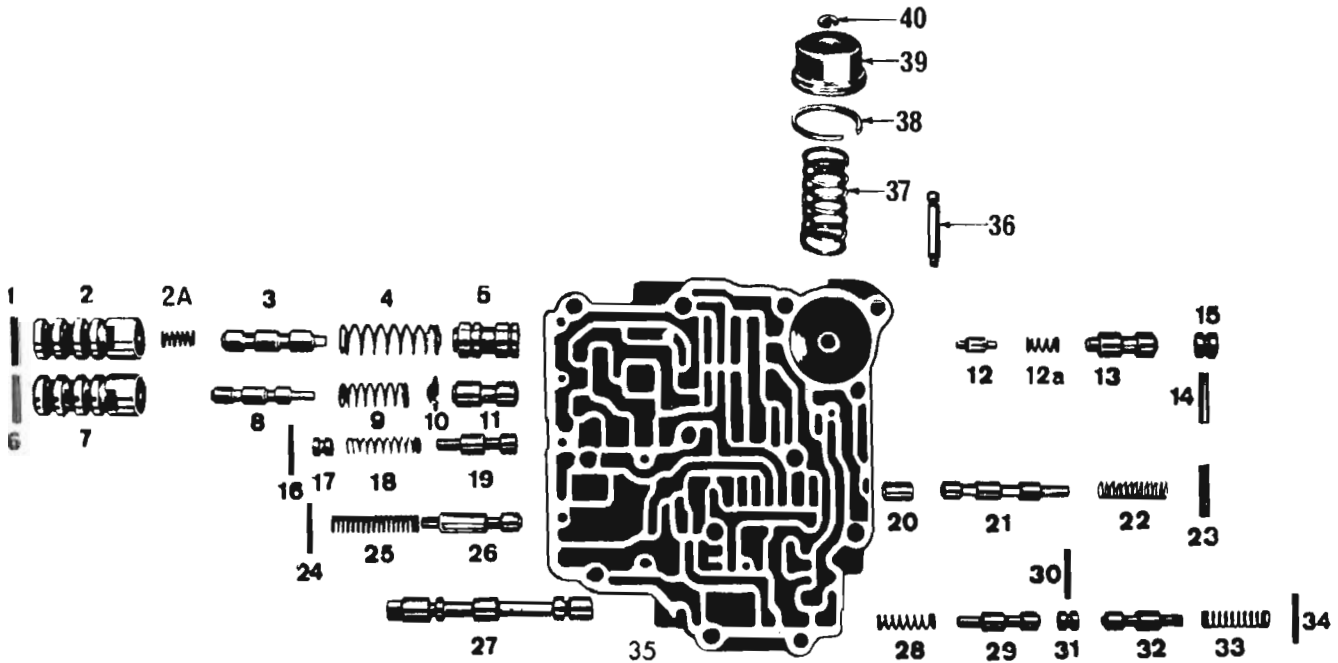


VALVE BGDY  
SERIES 3 TRIMATIC

**VALVE BODY  
Series 3 Trimatic**

**ILLUSTRATION OPPOSITE**

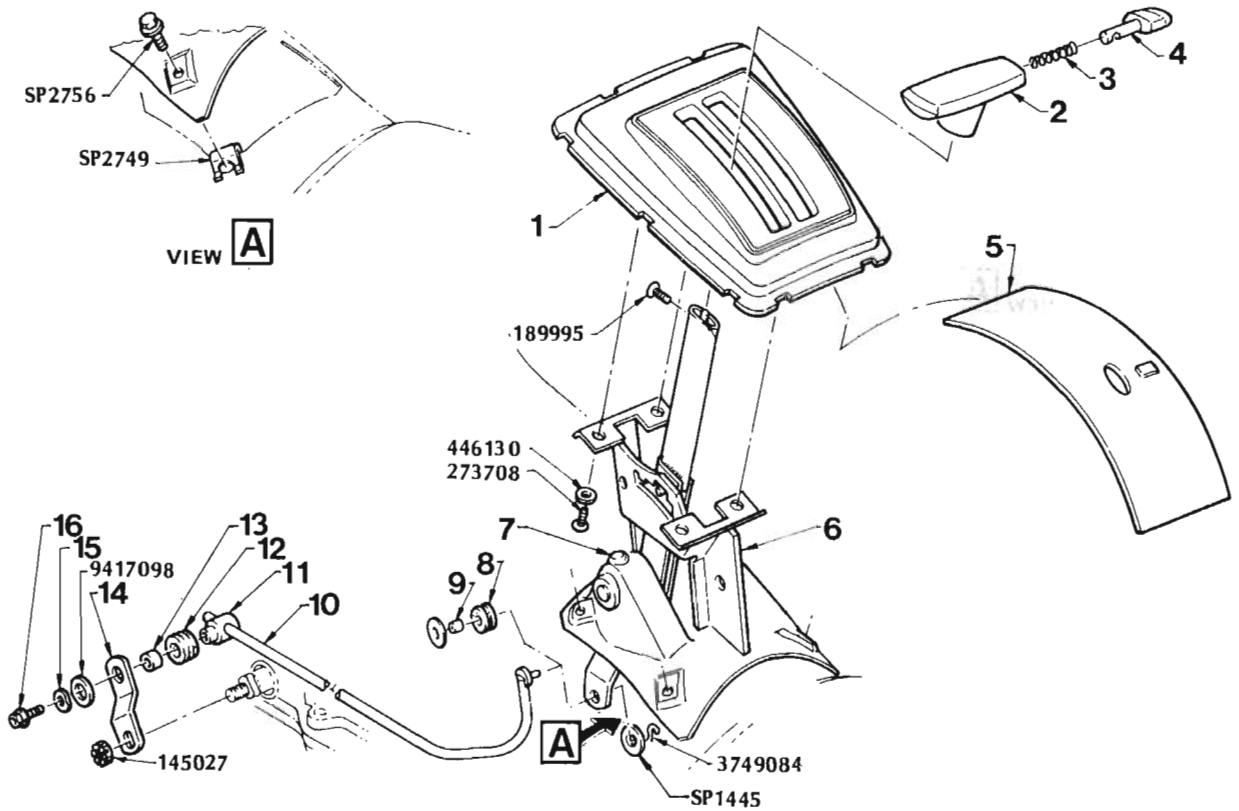
ILLUS. REF. NO.	PART NAME	GROUP
1.	VALVE - Manual control .....	4.265
2.	SPRING - Low speed timing valve .....	4.265
3.	VALVE - Low speed timing .....	4.265
4.	SLEEVE - Low speed timing valve .....	4.265
5.	VALVE - Control .....	4.265
6.	PIN - Low speed downshift timing .....	4.265
7.	VALVE - High speed timing .....	4.265
8.	PIN - Coiled spring .....	4.265
9.	SPRING - High speed timing valve .....	4.265
10.	VALVE - Reverse control .....	4.265
11.	VALVE - Manual low control .....	4.265
12.	SPRING - Manual low & reverse control valve .....	4.265
13.	PIN - Coiled spring .....	4.265
14.	VALVE - 1st & 2nd accumulator control .....	4.265
15.	PLUG - 1st & 2nd accumulator control valve .....	4.265
16.	PIN - Coiled spring .....	4.265
17.	VALVE - 1st & 2nd accumulator .....	4.265
18.	SPRING - 1st & 2nd accumulator valve .....	4.265
19.	BALL .....	4.265
20.	BODY - Valve .....	4.265
21.	VALVE - 1st & 2nd shift .....	4.265
22.	SPRING - 2nd & 3rd shift control valve .....	4.265
23.	SPRING - 1st to 2nd shift control valve .....	4.265
24.	VALVE - 1st & 2nd shift control .....	4.265
25.	VALVE - 1st & 2nd downshift control .....	4.265
26.	SLEEVE - 1st & 2nd shift control valve .....	4.265
27.	PIN - Coiled spring .....	4.265
28.	SEAT - 1st & 2nd shift control valve spring .....	4.265
29.	SPRING - 1st & 2nd shift control valve .....	4.265
30.	SEAT - 2nd to 3rd shift control valve spring .....	4.265
31.	PIN - Coiled spring .....	4.265
32.	SLEEVE - 2nd to 3rd shift control valve .....	4.265
33.	VALVE - 2nd to 3rd upshift control .....	4.265
34.	SEAT - 2nd & 3rd shift control valve spring .....	4.265
35.	SPRING 2nd & 3rd shift control valve .....	4.265
36.	VALVE - 2nd & 3rd shift control .....	4.265
37.	VALVE - 2nd & 3rd shift .....	4.265
38.	PLUG - 3rd to 2nd control valve .....	4.265
39.	PIN - Coiled spring .....	4.265
40.	SPRING - 3rd to 2nd control valve .....	4.265
41.	VALVE - 3rd to 2nd control .....	4.265
42.	PIN - Coiled spring .....	4.265
43.	SPRING - Detent pressure regulator valve .....	4.265
44.	SEAT - Detent pressure regulator valve spring .....	4.265
45.	VALVE - Detent pressure regulator .....	4.265
46.	SPRING - Accumulator piston .....	4.233
47.	PISTON - Accumulator .....	4.228
48.	PIN - Accumulator .....	4.233
49.	RING - Accumulator piston .....	4.127



VALVE BODY  
Series 2 Trimatic  
WITHOUT EXHAUST EMISSION CONTROL

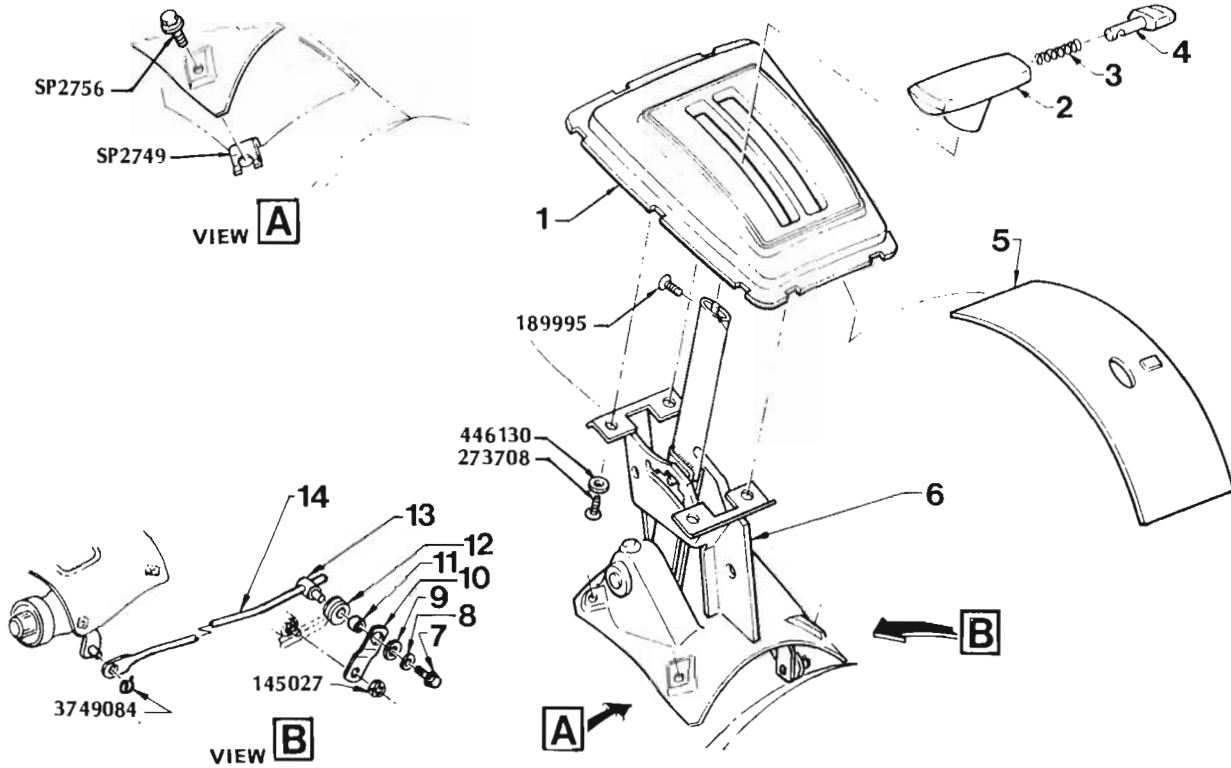
ILLUS. REF. NO.	PART NAME	GROUP	ILLUS. REF. NO.	PART NAME	GROUP
1.	PIN - Spring .....	4.265	20.	VALVE - Reverse control .....	4.265
2.	SLEEVE - 1st & 2nd shift control valve .....	4.265	21.	VALVE - Manual low control .....	4.265
2A.	SPRING - 1st & 2nd shift control valve - return .....	4.265	22.	SPRING - Manual low & reverse control valve .....	4.265
3.	VALVE - 1st & 2nd shift control .....	4.265	23.	PIN - Spring .....	4.265
4.	SPRING - 1st & 2nd shift control valve .....	4.265	24.	PIN - Spring .....	4.265
5.	VALVE - 1st & 2nd shift .....	4.265	25.	SPRING - Detent pressure regulator valve .....	4.265
6.	PIN - Spring .....	4.265	26.	VALVE - Detent pressure regulator .....	4.265
7.	SLEEVE - 2nd & 3rd shift control valve .....	4.265	27.	VALVE - Manual .....	4.265
8.	VALVE - 2nd & 3rd shift control .....	4.265	28.	SPRING - Low speed downshift timing valve .....	4.265
9.	SPRING - 2nd & 3rd shift control valve .....	4.265	29.	VALVE - Low speed downshift timing .....	4.265
10.	SEAT - 2nd & 3rd shift control valve spring .....	4.265	30.	PIN - Spring .....	4.265
11.	VALVE - 2nd & 3rd shift .....	4.365	31.	PLUG - Low speed downshift timing valve .....	4.265
12.	VALVE - 1st & 2nd accumulator control .....	4.265	32.	VALVE - High speed downshift timing .....	4.265
12A.	SPRING - 1st & 2nd accumulator valve .....	4.265	33.	SPRING - High speed downshift timing valve .....	4.265
13.	VALVE - 1st & 2nd accumulator .....	4.265	34.	PIN - Spring .....	4.265
14.	PIN - 1st & 2nd accumulator valve retaining .....	4.265	35.	BODY - Spring .....	4.265
15.	PLUG - 1st & 2nd accumulator valve .....	4.265	36.	PIN - Accumulator piston .....	4.233
16.	PIN - Spring .....	4.265	37.	SPRING - Accumulator piston .....	4.233
17.	PLUG - 3rd to 2nd control valve .....	4.265	38.	RING - Accumulator piston .....	4.127
18.	SPRING - 3rd to 2nd control valve .....	4.265	39.	PISTON - Accumulator .....	4.228
19.	VALVE - 3rd to 2nd control .....	4.265	40.	RING - Accumulator piston retaining .....	4.128





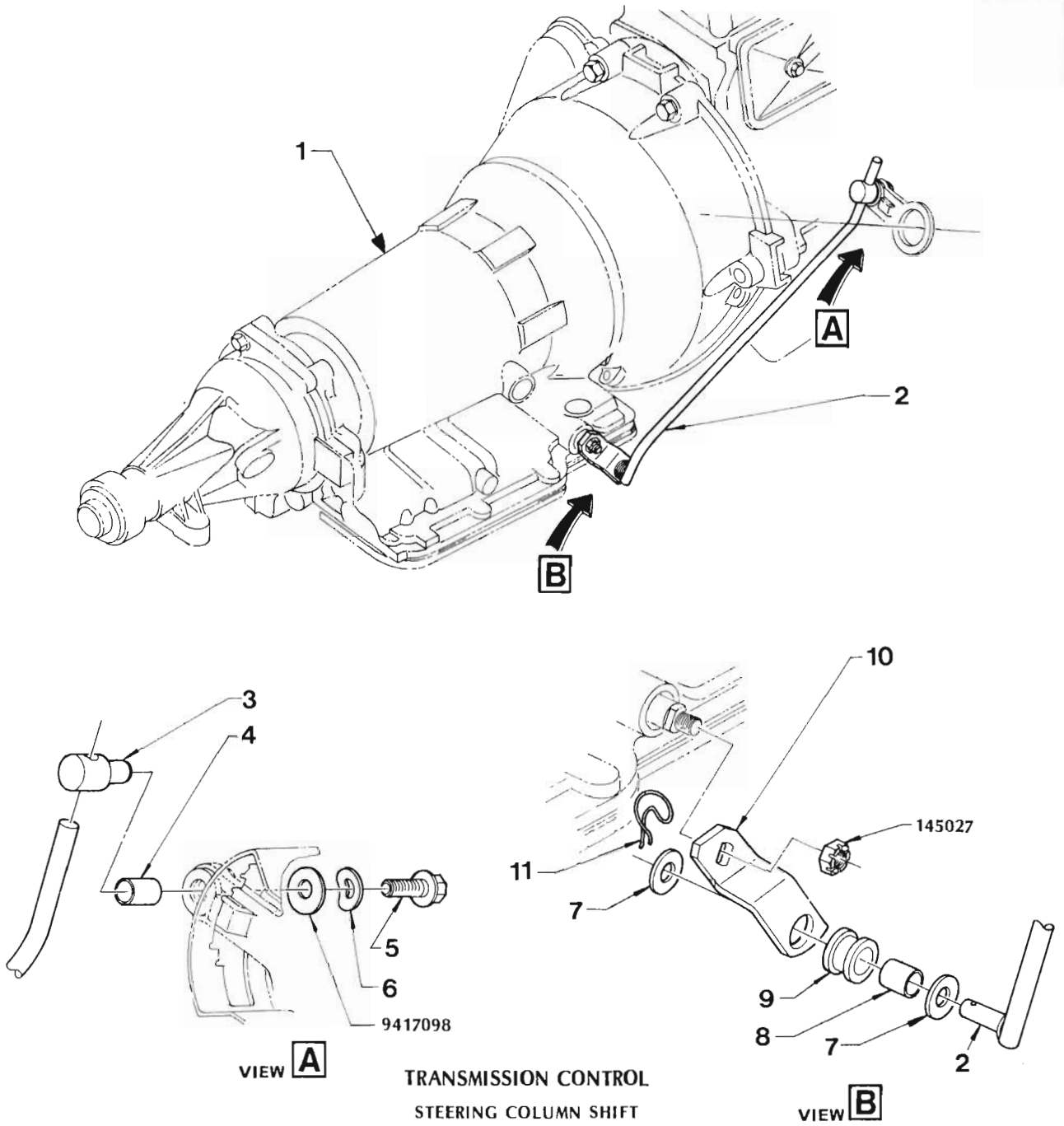
**TRANSMISSION CONTROL  
CONSOLE SHIFT  
6 CYLINDER ENGINE**

ILLUS. REF. NO.	PART NAME	GROUP
1.	COVER ASSEMBLY – Transmission control indicator .....	4.038
2.	HANDLE – Transmission control lever .....	4.009
3.	SPRING .....	4.009
4.	BUTTON .....	4.009
5.	SLIDE – Transmission control indicator .....	4.038
6.	SUPPORT ASSEMBLY – Transmission control lever .....	4.010
7.	PLUG – Support hole .....	4.010
8.	INSULATOR – Rod to lower control lever .....	4.040
9.	SLEEVE – Rod to lower control lever .....	4.040
10.	ROD ASSEMBLY – Transmission control .....	4.040
11.	TRUNNION – Lever to rod .....	4.040
12.	INSULATOR .....	4.040
13.	SLEEVE – Trunnion .....	4.040
14.	LEVER – Transmission external control .....	4.041
15.	WASHER – Spring .....	4.040
16.	SCREW – Rod clamp .....	4.040



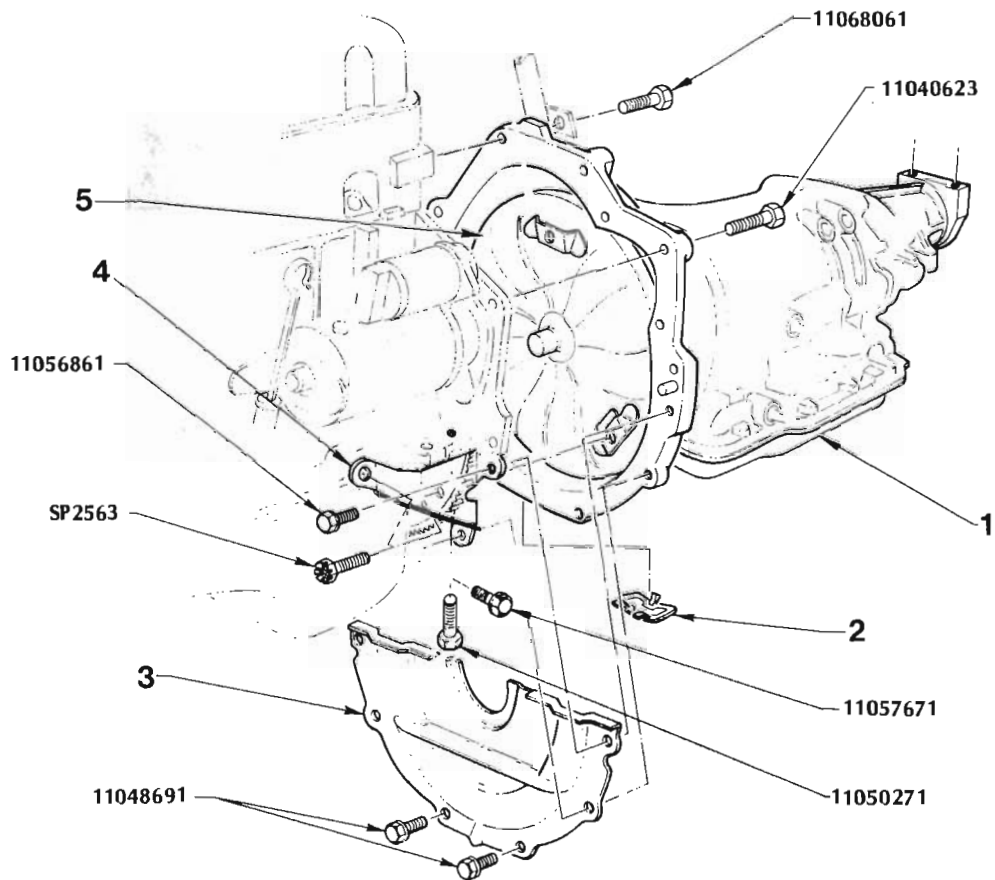
**TRANSMISSION CONTROL  
CONSOLE SHIFT  
OPEL – 4 CYLINDER ENGINE**

ILLUS. REF. NO.	PART NAME	GROUP
1.	COVER ASSEMBLY – Transmission control indicator .....	4.038
2.	HANDLE – Transmission control lever .....	4.009
3.	SPRING .....	4.009
4.	BUTTON .....	4.009
5.	SLIDE – Transmission control indicator .....	4.038
6.	SUPPORT ASSEMBLY – Transmission control lever .....	4.010
7.	SCREW – Rod clamp .....	4.040
8.	WASHER – Spring .....	4.040
9.	WASHER .....	4.040
10.	LEVER – Transmission external control .....	4.041
11.	SLEEVE – Trunnion .....	4.040
12.	INSULATOR .....	4.040
13.	TRUNNION – Lever to rod .....	4.040
14.	ROD ASSEMBLY – Transmission control .....	4.040



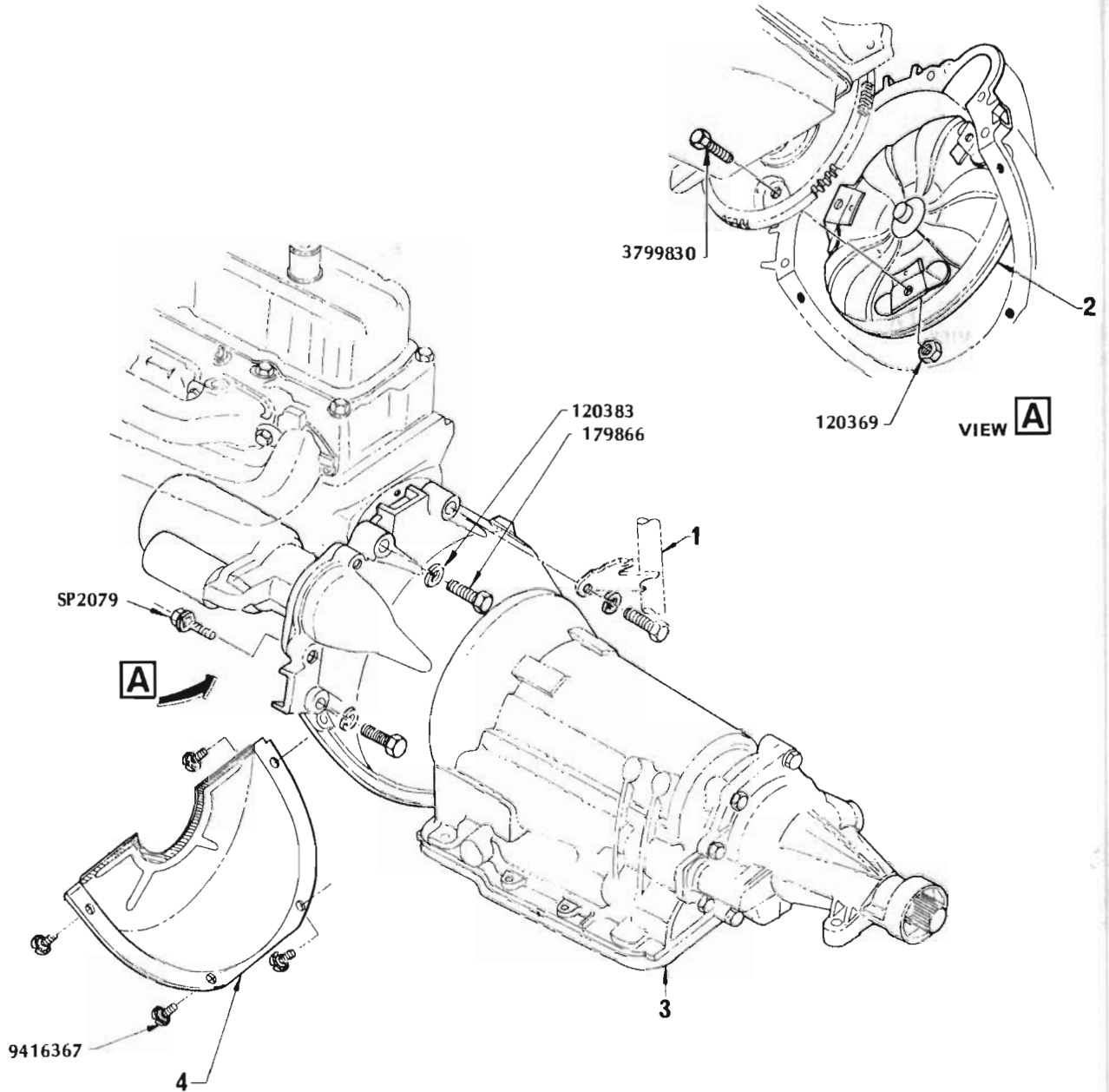
TRANSMISSION CONTROL  
STEERING COLUMN SHIFT

ILLUS. REF. NO.	PART NAME	GROUP
1.	TRANSMISSION ASSEMBLY .....	4.003
2.	ROD ASSEMBLY .....	4.007
3.	TRUNNION - Lever to rod .....	4.040
4.	SLEEVE - Trunnion .....	4.040
5.	SCREW - Rod clamp .....	4.040
6.	WASHER - Spring .....	4.040
7.	WASHER - Rod to external lever .....	4.040
8.	SLEEVE - Rod to external lever .....	4.040
9.	INSULATOR - Rod to external lever .....	4.040
10.	LEVER .....	4.041
11.	RETAINER - Rod to external lever .....	4.040



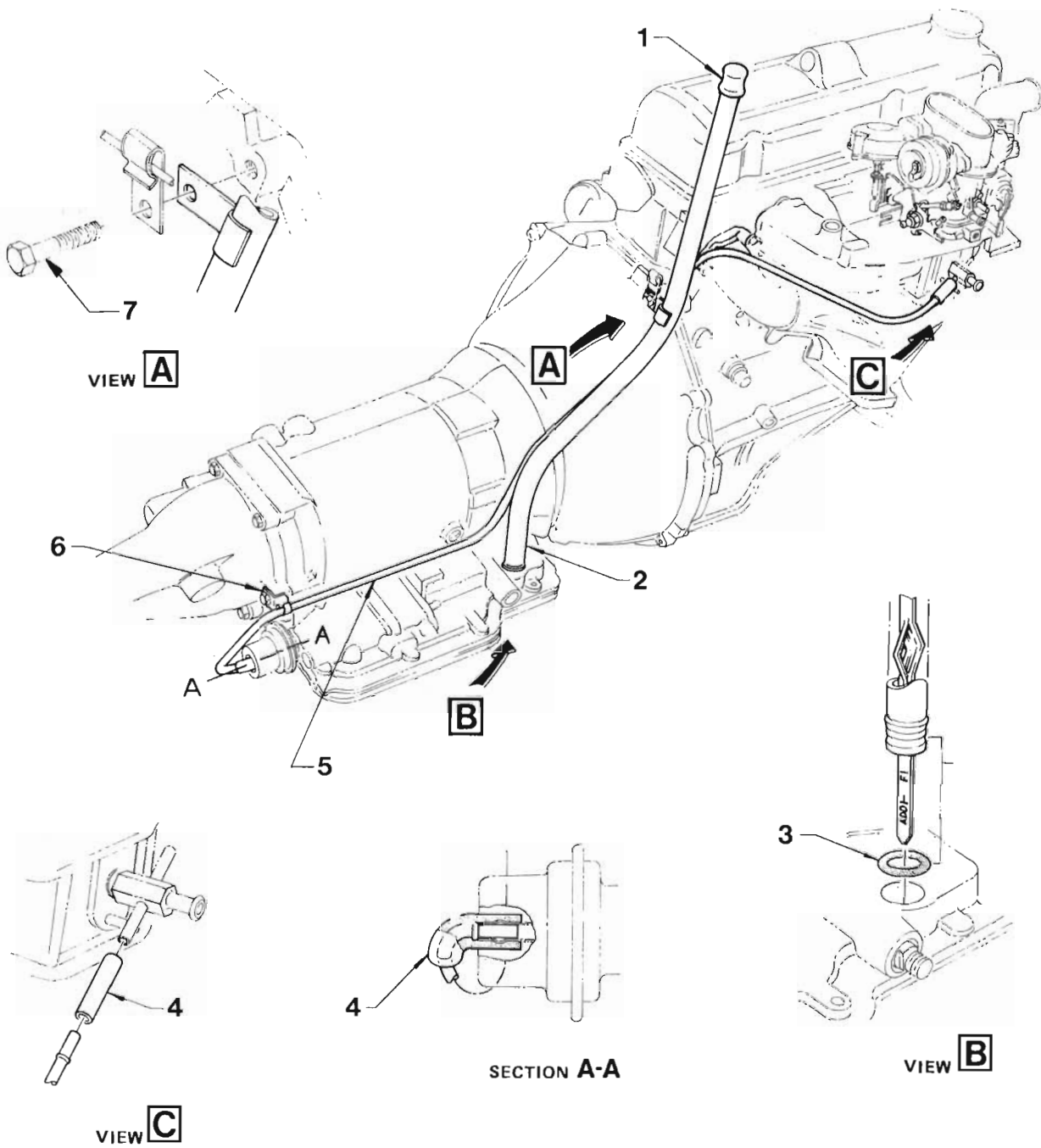
**TRANSMISSION TO ENGINE  
OPEL - 4 CYLINDER ENGINE**

ILLUS. REF. NO.	PART NAME	GROUP
1.	TRANSMISSION ASSEMBLY .....	4.003
2.	SEAL - Converter housing .....	4.103
3.	COVER - Converter housing .....	0.679
4.	BRACKET - Transmission to engine .....	4.003
5.	CONVERTER ASSEMBLY .....	4.156



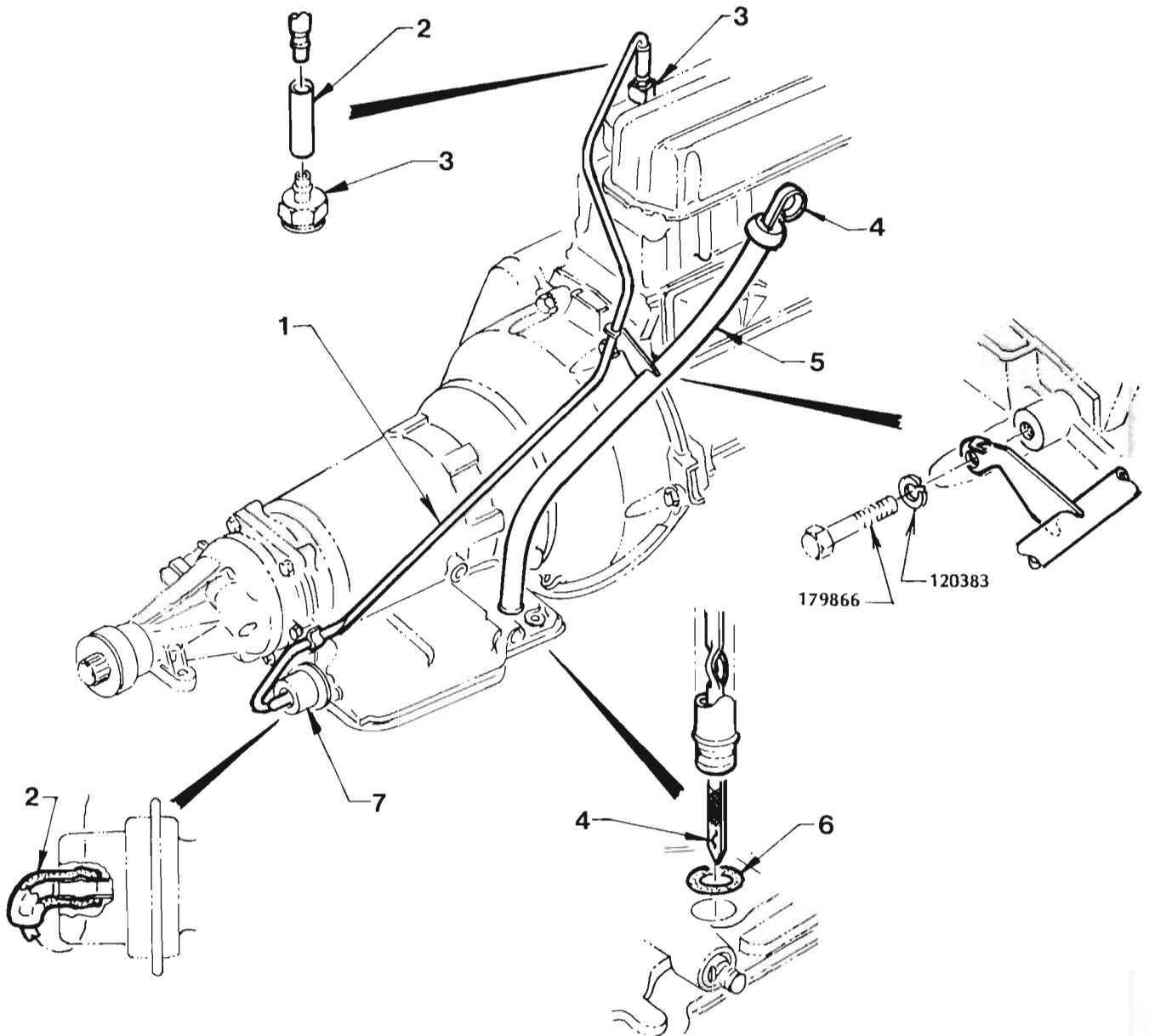
**TRANSMISSION CONVERTER, LOWER COVER**  
**6 CYLINDER ENGINE**

ILLUS. REF. NO.	PART NAME	GROUP
1.	TUBE - Oil level indicator .....	1.516
2.	CONVERTER ASSEMBLY - Transmission .....	4.156
3.	TRANSMISSION ASSEMBLY .....	4.003
4.	COVER - Transmission converter .....	0.679



**TRANSMISSION VACUUM MODULATOR AND OIL FILLER  
OPEL - 4 CYLINDER ENGINE**

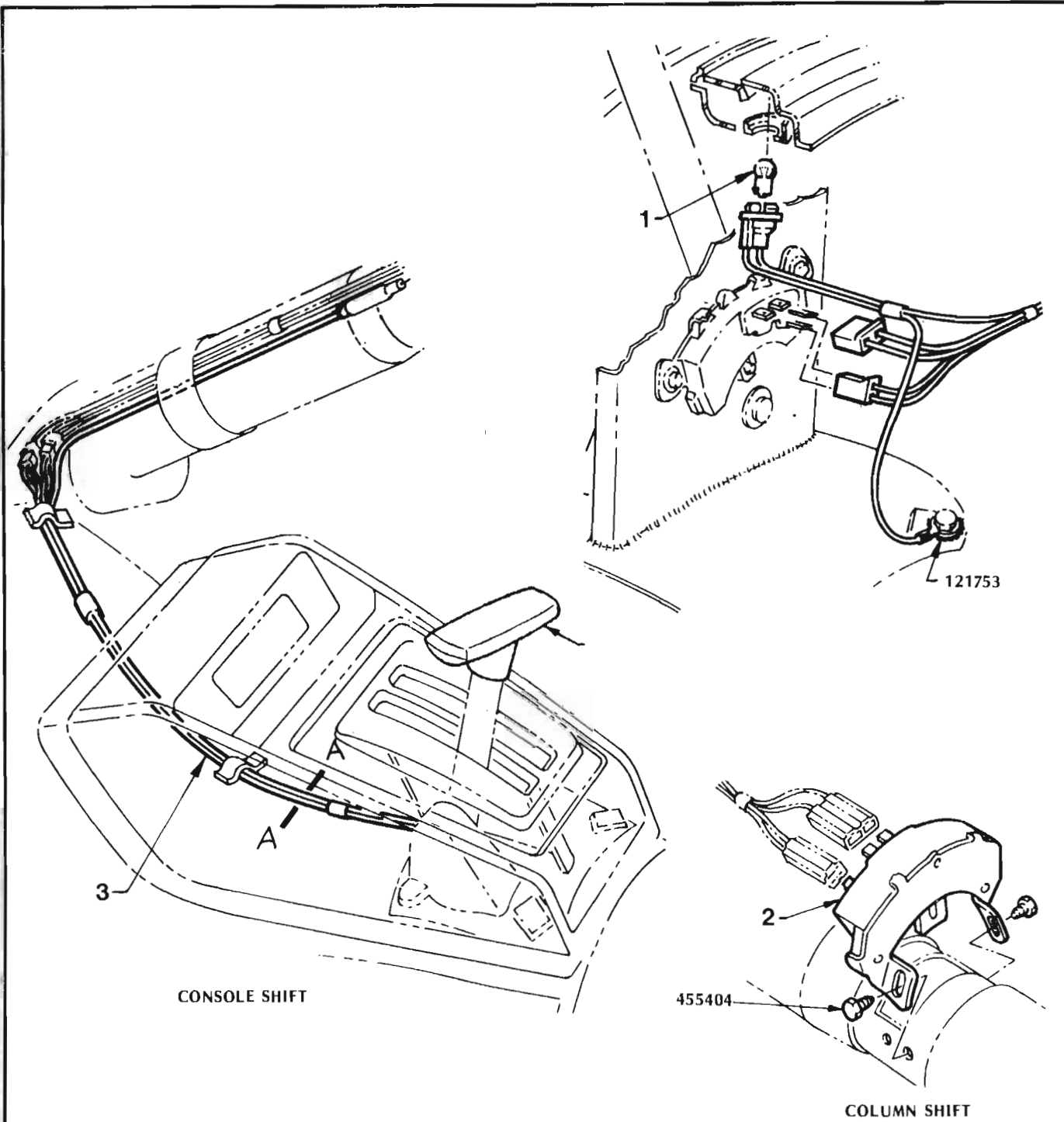
ILLUS. REF. NO.	PART NAME	GROUP
1.	INDICATOR ASSEMBLY - Oil level .....	4.133
2.	TUBE ASSEMBLY - Oil filler .....	4.133
3.	SEAL - Tube to case .....	4.133
4.	SLEEVE - Modulator .....	4.205
5.	PIPE - Vacuum modulator .....	4.205
6.	CLIP - Modulator pipe to extension housing .....	4.205
7.	BOLT - Transmission and oil filler pipe to engine .....	4.003



TRANSMISSION VACUUM MODULATOR AND OIL FILLER

6 CYLINDER ENGINE

ILLUS. REF. NO.	PART NAME	GROUP
1.	PIPE .....	4.205
2.	SLEEVE .....	4.205
3.	ADAPTOR - Vacuum source to T.V.S. ....	3.265
4.	INDICATOR ASSEMBLY - Oil level .....	4.133
5.	TUBE ASSEMBLY - Oil filler .....	4.133
6.	SEAL - Tube to case .....	4.133
7.	MODULATOR - Transmission vacuum .....	4.265



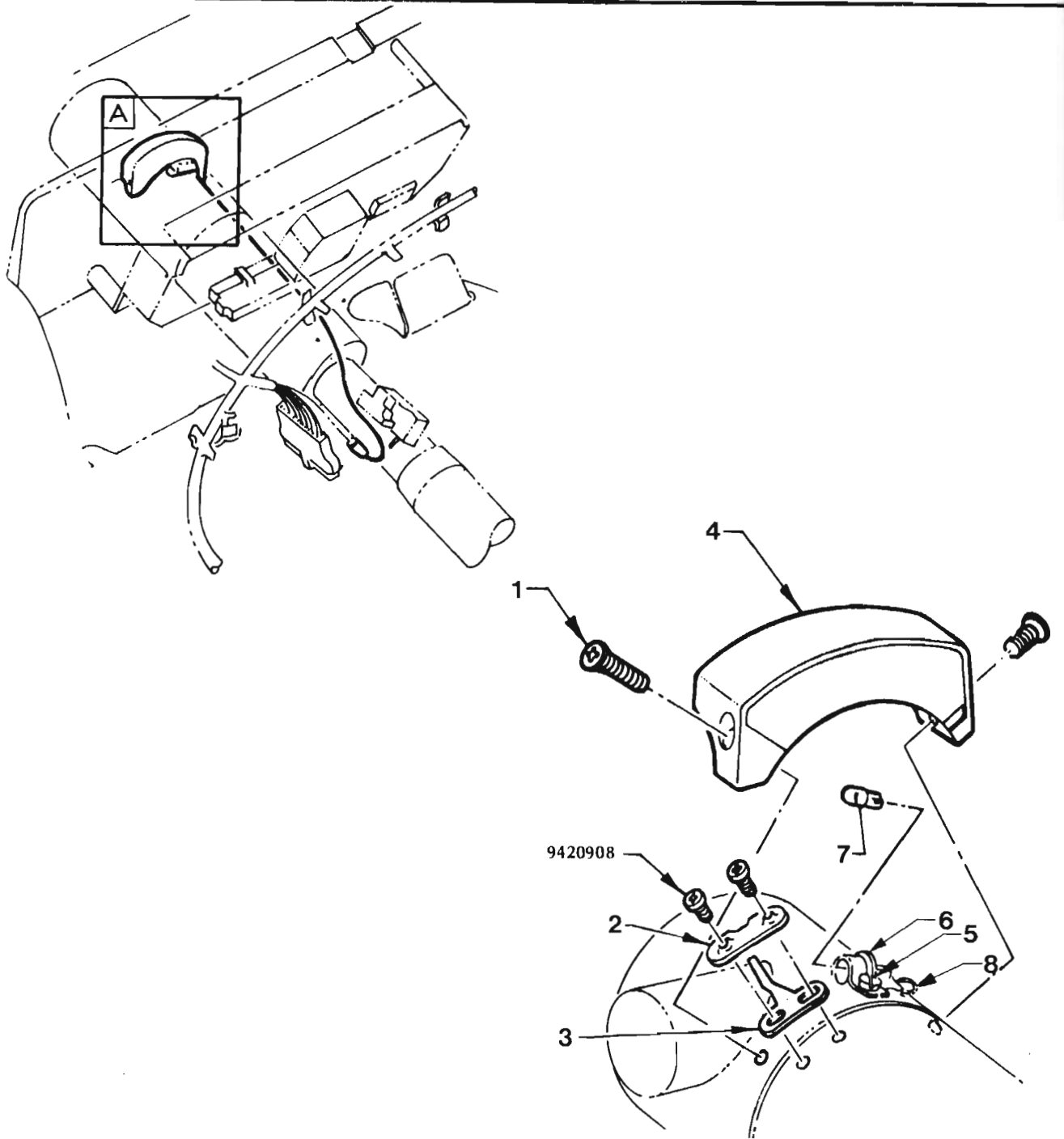
CONSOLE SHIFT

COLUMN SHIFT

TRANSMISSION NEUTRAL START AND BACK UP SWITCH

ILLUS. REF. NO.	PART NAME	GROUP
1.	BULB .....	4.038
2.	SWITCH ASSEMBLY .....	4.054
3.	HARNESS ASSEMBLY .....	4.055

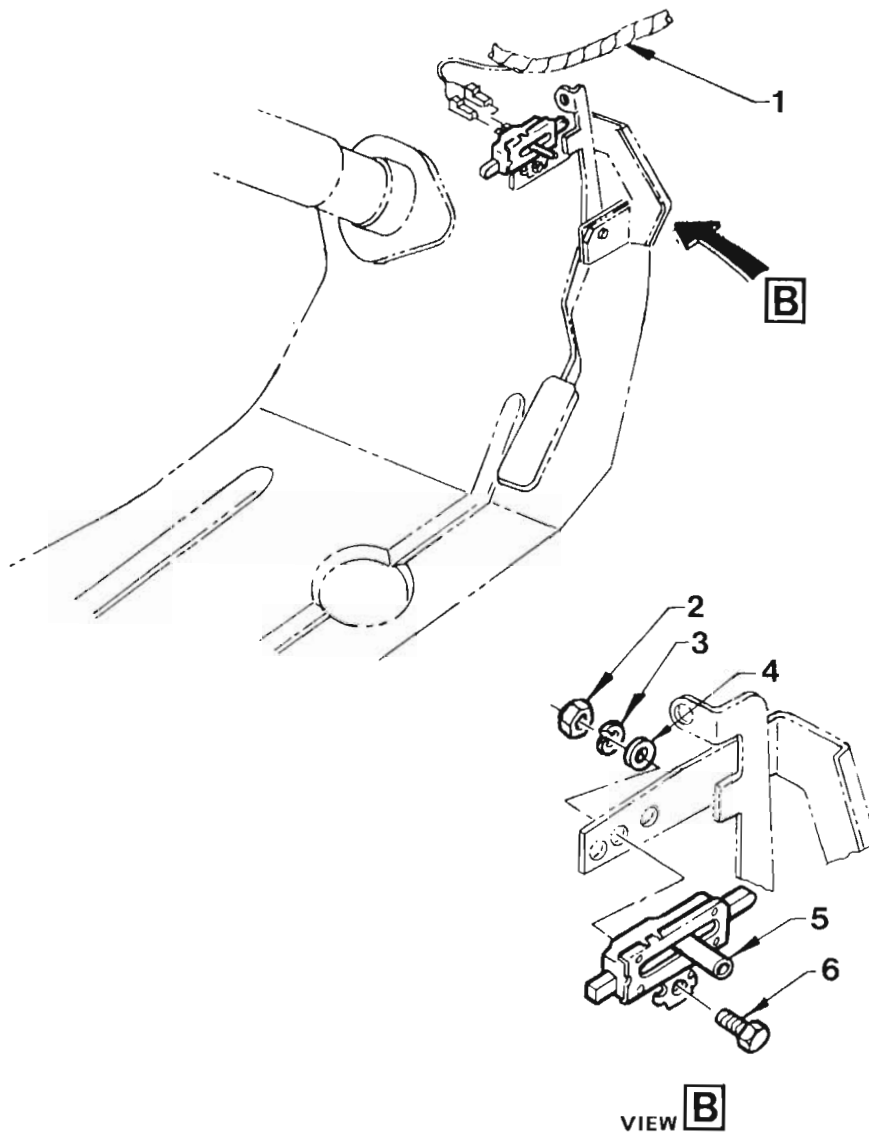




TRANSMISSION INDICATOR  
STEERING COLUMN SHIFT

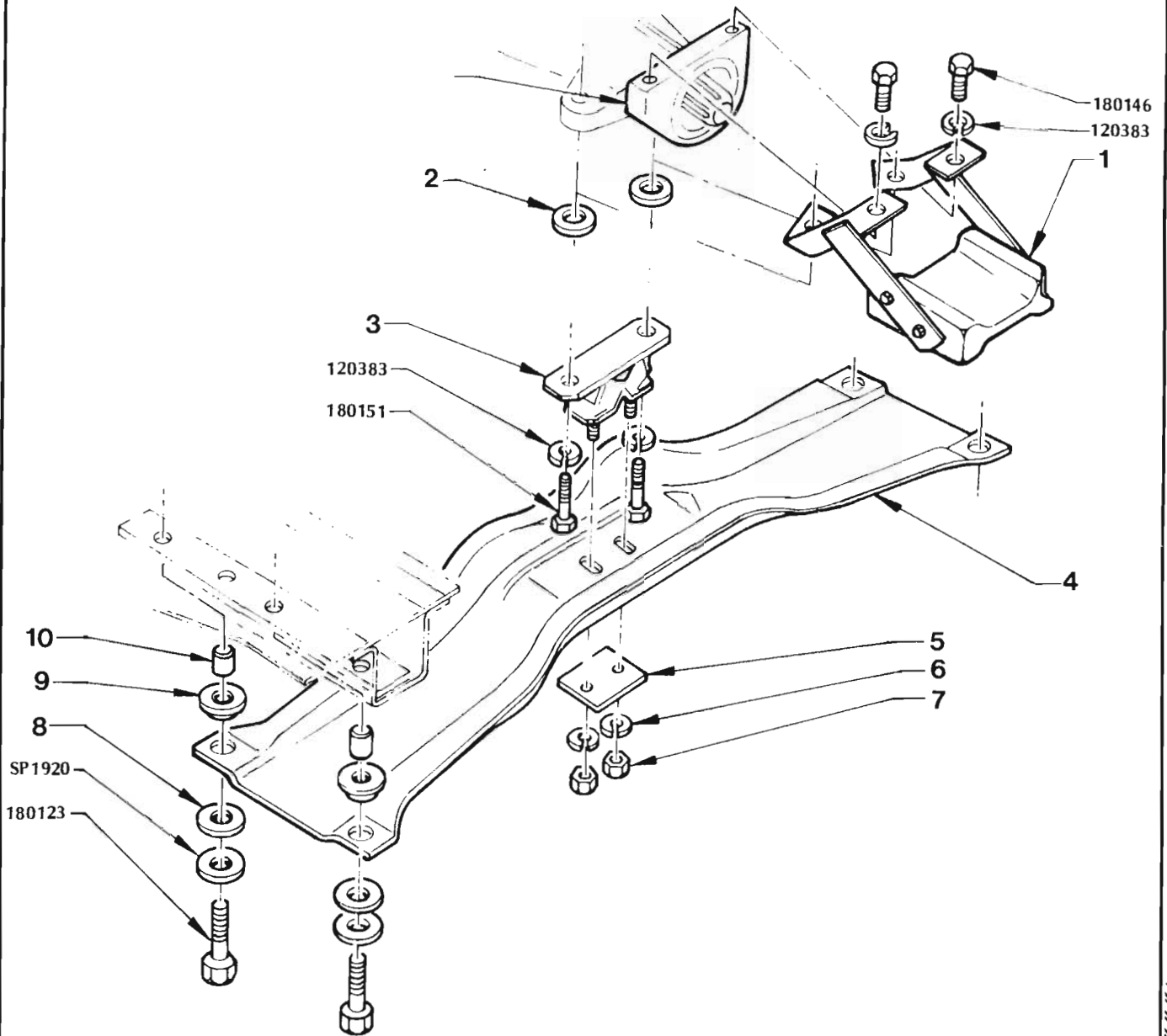
VIEW **A**

ILLUS. REF. NO.	PART NAME	GROUP
1.	SCREW - Housing to column .....	4.038
2.	COVER - Pointer .....	4.038
3.	POINTER .....	4.038
4.	HOUSING AND DIAL ASSEMBLY .....	4.038
5.	SCREW - Bulb socket retainer .....	4.038
6.	RETAINER - Bulb socket .....	4.038
7.	BULB - Miniature wedge base 12V 1.2 W .....	4.038
8.	SOCKET & LEAD - Illumination .....	4.038



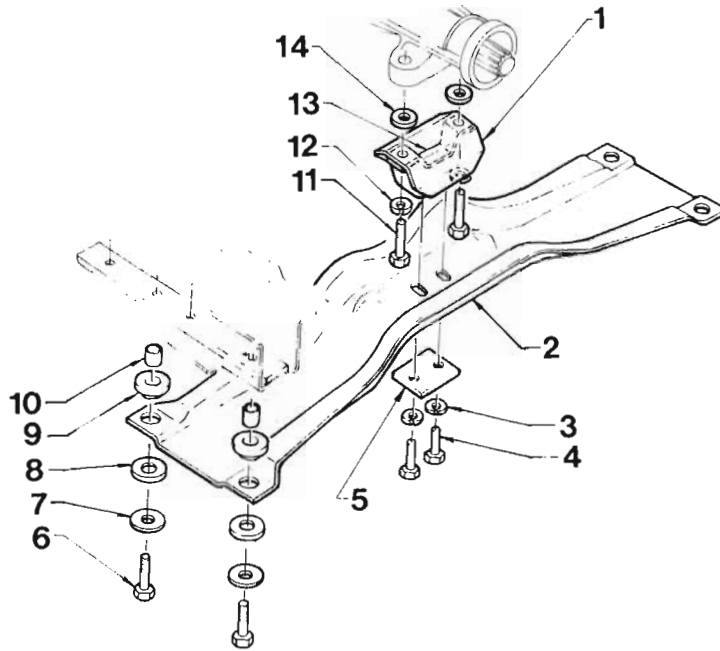
DETENT SWITCH

ILLUS. REF. NO.	PART NAME	GROUP
1.	HARNESS ASSEMBLY – Main wiring .....	2.555
2.	NUT – Switch mounting .....	4.054
3.	WASHER – Switch mounting .....	4.054
4.	WASHER – Switch mounting .....	4.054
5.	SWITCH ASSEMBLY .....	4.054
6.	BOLT – Switch mounting .....	4.054



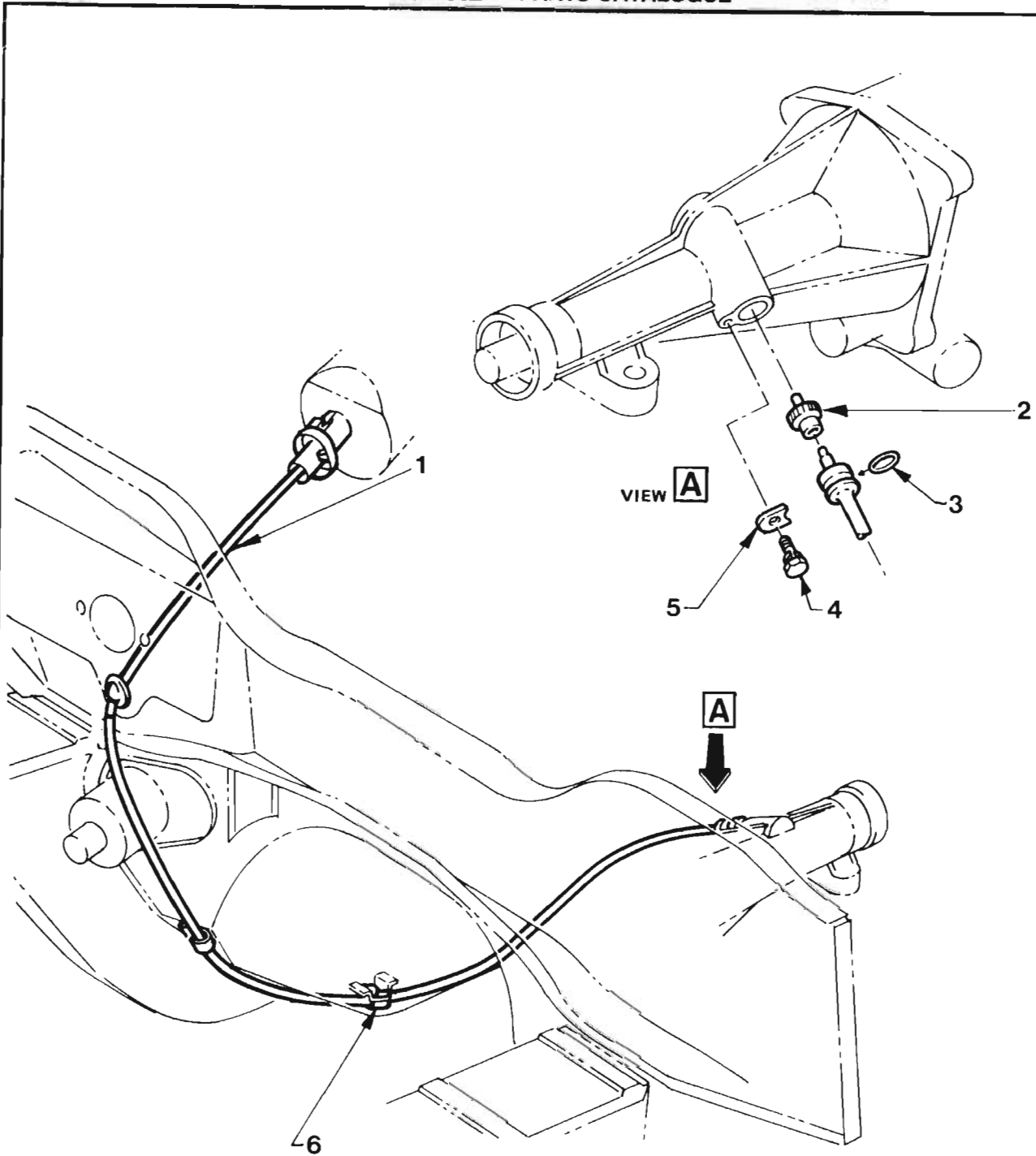
**TRANSMISSION MOUNTING**  
**OPEL - 4 CYLINDER ENGINE**

ILLUS. REF. NO.	PART NAME	GROUP
1.	BRACKET & DAMPER ASSEMBLY .....	4.081
2.	SPACER .....	4.081
3.	MOUNTING .....	4.081
4.	SUPPORT - Engine rear mounting .....	12.982
5.	REINFORCEMENT .....	4.081
6.	WASHER - Mounting to support .....	4.081
7.	NUT - Mounting to support .....	4.081
8.	INSULATOR - Support lower .....	12.982
9.	INSULATOR - Support upper .....	12.982
10.	SPACER - Engine rear mounting support .....	12.982



**TRANSMISSION MOUNTING  
6 CYLINDER ENGINE**

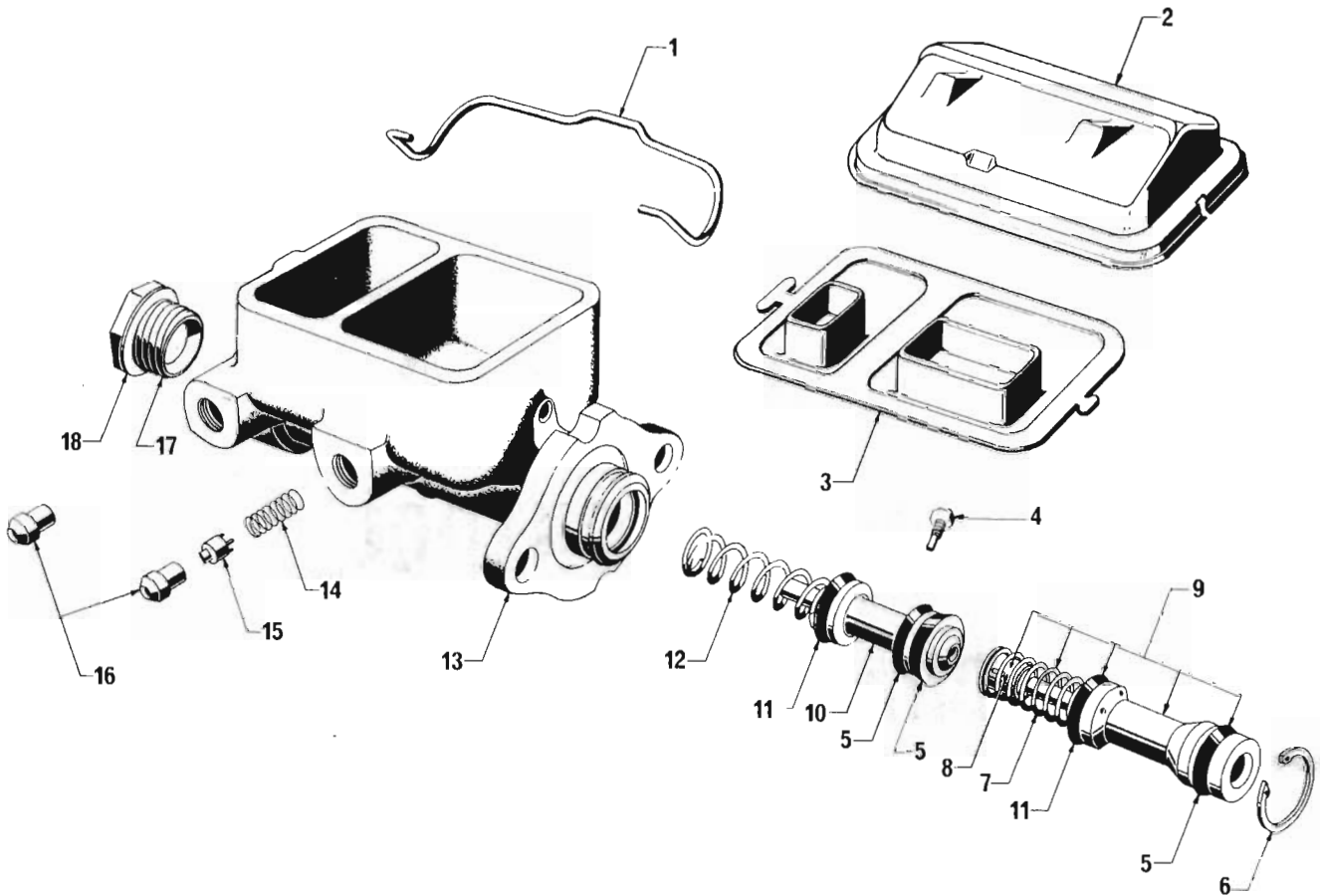
ILLUS. REF. NO.	PART NAME	GROUP
1.	MOUNTING ASSEMBLY .....	4.081
2.	SUPPORT - Rear mounting .....	12.982
3.	WASHER - Mounting to support .....	4.081
4.	BOLT - Mounting to support .....	4.081
5.	REINFORCEMENT .....	4.081
6.	BOLT - Support to underbody .....	12.982
7.	WASHER - Support to underbody .....	12.982
8.	INSULATOR - Engine rear mounting lower .....	12.982
9.	INSULATOR - Engine rear mounting upper .....	12.982
10.	SPACER - Engine rear mounting support .....	12.982
11.	BOLT - Mounting and arrestor to transmission .....	4.081
12.	WASHER - Mounting and arrestor .....	4.081
13.	ARRESTOR - Transmission support mounting .....	4.081
14.	SPACER .....	4.081



**SPEEDOMETER CABLE AND GEAR**

ILLUS. REF. NO.	PART NAME	GROUP
1.	CABLE & CASING ASSEMBLY .....	4.342
2.	GEAR - Driven .....	4.337
3.	SEAL - Driven gear .....	4.338
4.	BOLT - Retainer to transmission .....	4.342
5.	RETAINER - Cable to transmission .....	4.342
6.	CLIP - Cable to floor pan lower .....	4.342

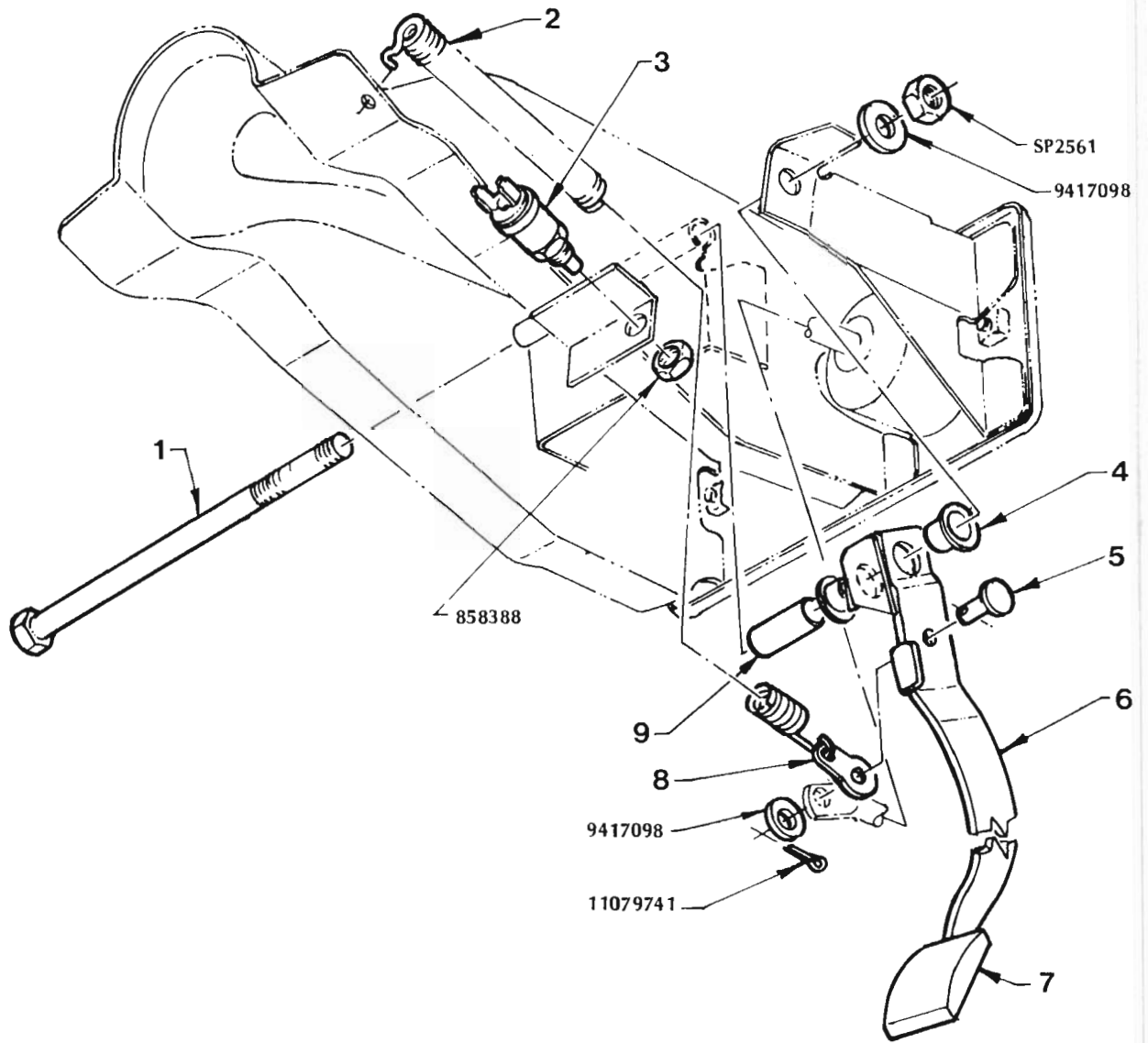
**GROUP 4.000**  
**BRAKE CONTROL**  
**BRAKE OPERATING**



**BRAKE MAIN CYLINDER**

ILLUS. REF. NO.	PART NAME	GROUP
1.	BAIL — Cover .....	4.651
2.	COVER .....	4.651
3.	DIAPHRAGM — Cover .....	4.651
4.	SCREW — Primary piston stop .....	4.653
5. (A	SEAL — 5/8" ID .....	4.654
6.	RING — Lock .....	4.656
7.	SPRING — Primary piston .....	4.655
8.	STOP — Primary piston .....	4.653
9. (A	PISTON ASSEMBLY — Primary .....	4.653
10. (A	PISTON — Secondary .....	4.653
11. (A	SEAL — 5/16" ID .....	4.654
12. (A	SPRING & RETAINER ASSEMBLY — Secondary .....	4.655
13.	BODY — Brake main .....	4.650
14.	SPRING — Valve .....	4.657
15.	VALVE — Check .....	4.657
16.	INSERT — Tube fitting .....	4.652
17.	PLUG .....	4.652
18.	WASHER — Plug .....	4.652

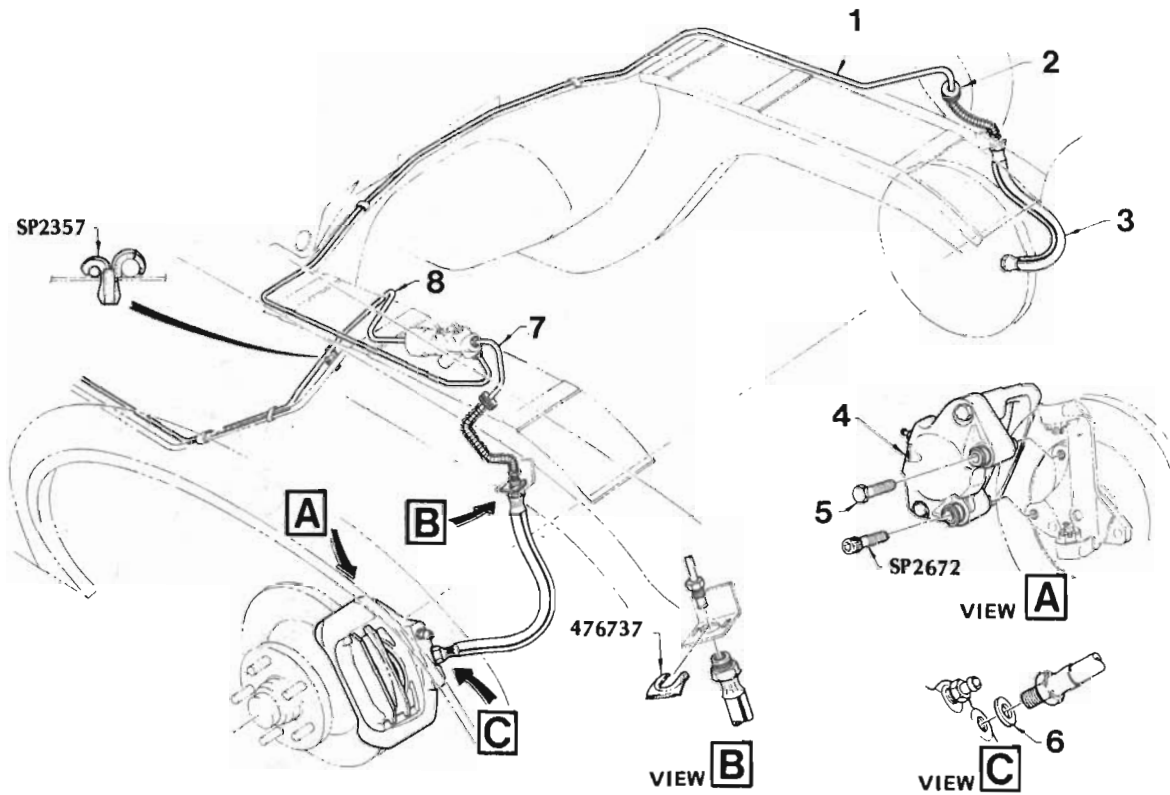
NOTE: (A PARTS ARE INCLUDED IN REPAIR KIT — REFER GROUP 4.649



**BRAKE PEDAL**

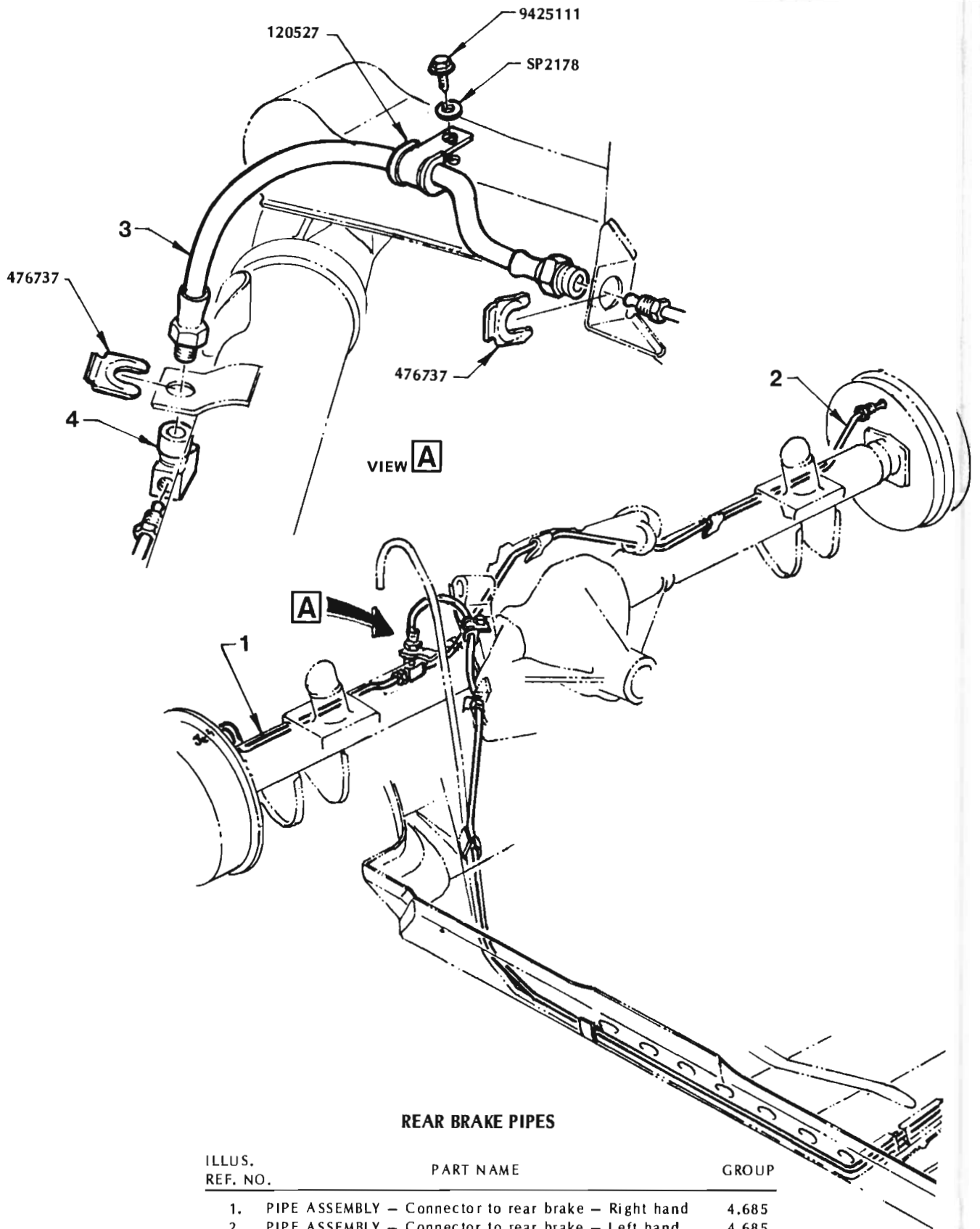
ILLUS. REF. NO.	PART NAME	GROUP
1.	BOLT - Hex hd. 1/2" - 18 x 7.1/2" .....	4.636
2.	SPRING .....	4.639
3.	SWITCH ASSEMBLY - Stop light .....	2.447
4.	BUSH - Pedal pivot bolt .....	4.626
5.	PIN - Push rod to brake pedal .....	4.662
6.	PEDAL ASSEMBLY .....	4.625
7.	PAD - Pedal .....	4.625
8.	EXTENSION - Return spring to push rod .....	4.639
9.	SPACER - Pedal pivot .....	4.626





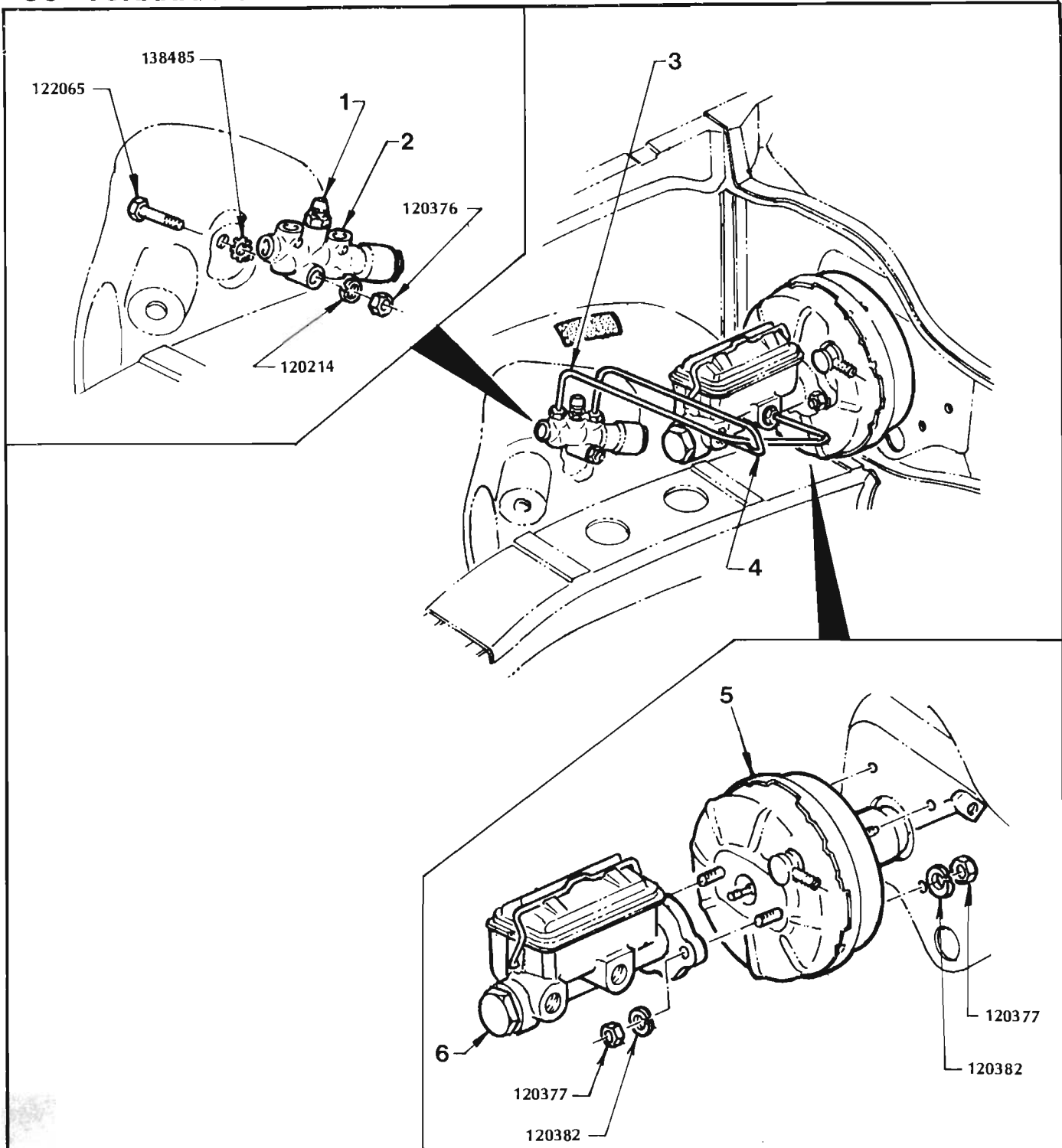
FRONT BRAKE PIPES

ILLUS. REF. NO.	PART NAME	GROUP
1.	PIPE ASSEMBLY – Switch to front brake .....	4.685
2.	GROMMET – Brake pipe through skirt .....	8.153
3.	HOSE – Front .....	4.680
4.	CALIPER ASSEMBLY – Front .....	4.665
5.	BOLT – Caliper to knuckle .....	4.665
6.	WASHER – Front hose to caliper .....	4.680
7.	PIPE ASSEMBLY – Switch to front brake .....	4.685
8.	PIPE ASSEMBLY – Switch to rear hose .....	4.685



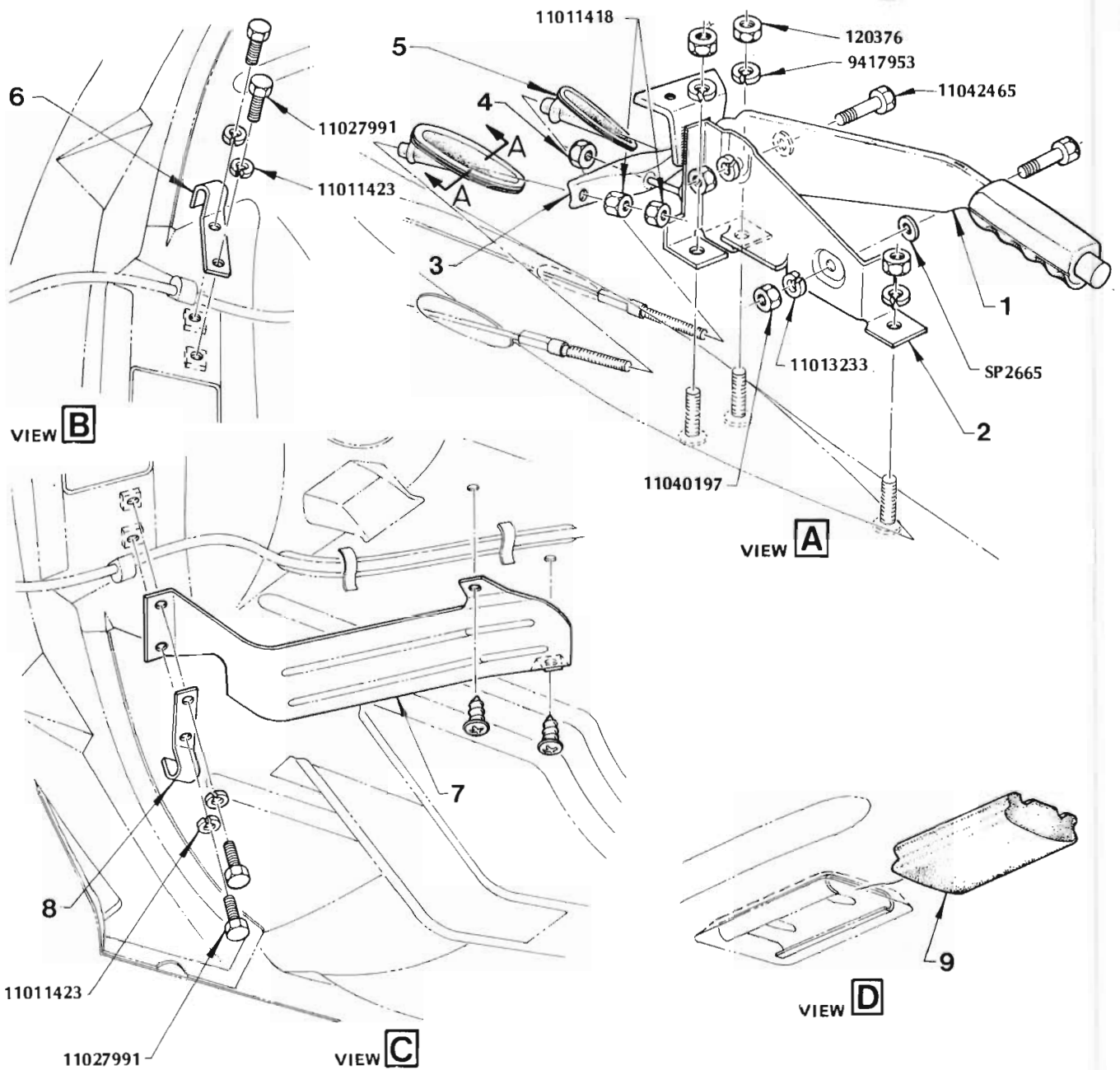
REAR BRAKE PIPES

ILLUS. REF. NO.	PART NAME	GROUP
1.	PIPE ASSEMBLY - Connector to rear brake - Right hand	4.685
2.	PIPE ASSEMBLY - Connector to rear brake - Left hand ..	4.685
3.	HOSE - Rear .....	4.680
4.	CONNECTOR - Rear brake pipe tee .....	4.686



**BRAKE MAIN CYLINDER, PRESSURE SWITCH AND BOOSTER**

ILLUS. REF. NO.	PART NAME	GROUP
1.	SWITCH ASSEMBLY – Pressure warning .....	4.686
2.	VALVE & SWITCH ASSEMBLY .....	4.686
3.	PIPE ASSEMBLY – Main cylinder to switch – Front .....	4.685
4.	PIPE ASSEMBLY – Main cylinder to switch – Rear .....	4.685
5.	BOOSTER ASSEMBLY .....	4.902
6.	CYLINDER ASSEMBLY .....	4.650

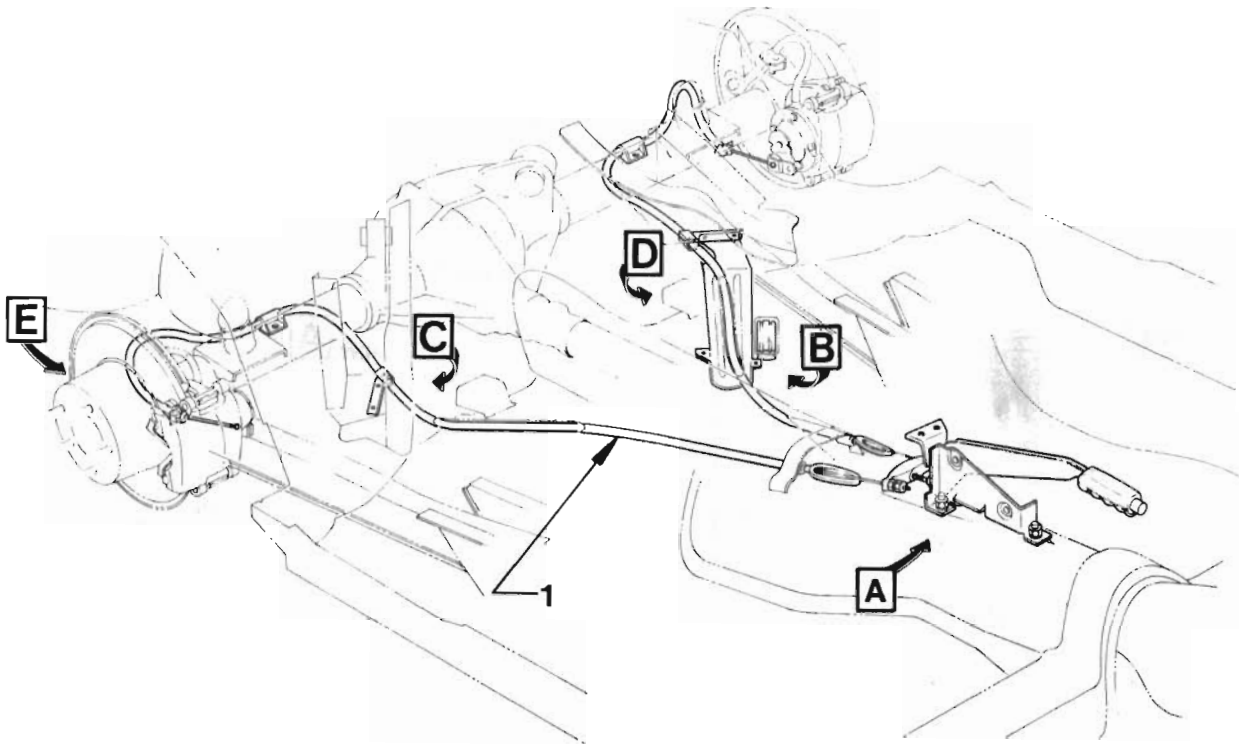


PARKING BRAKE LEVER AND CABLE

BUCKET SEATS

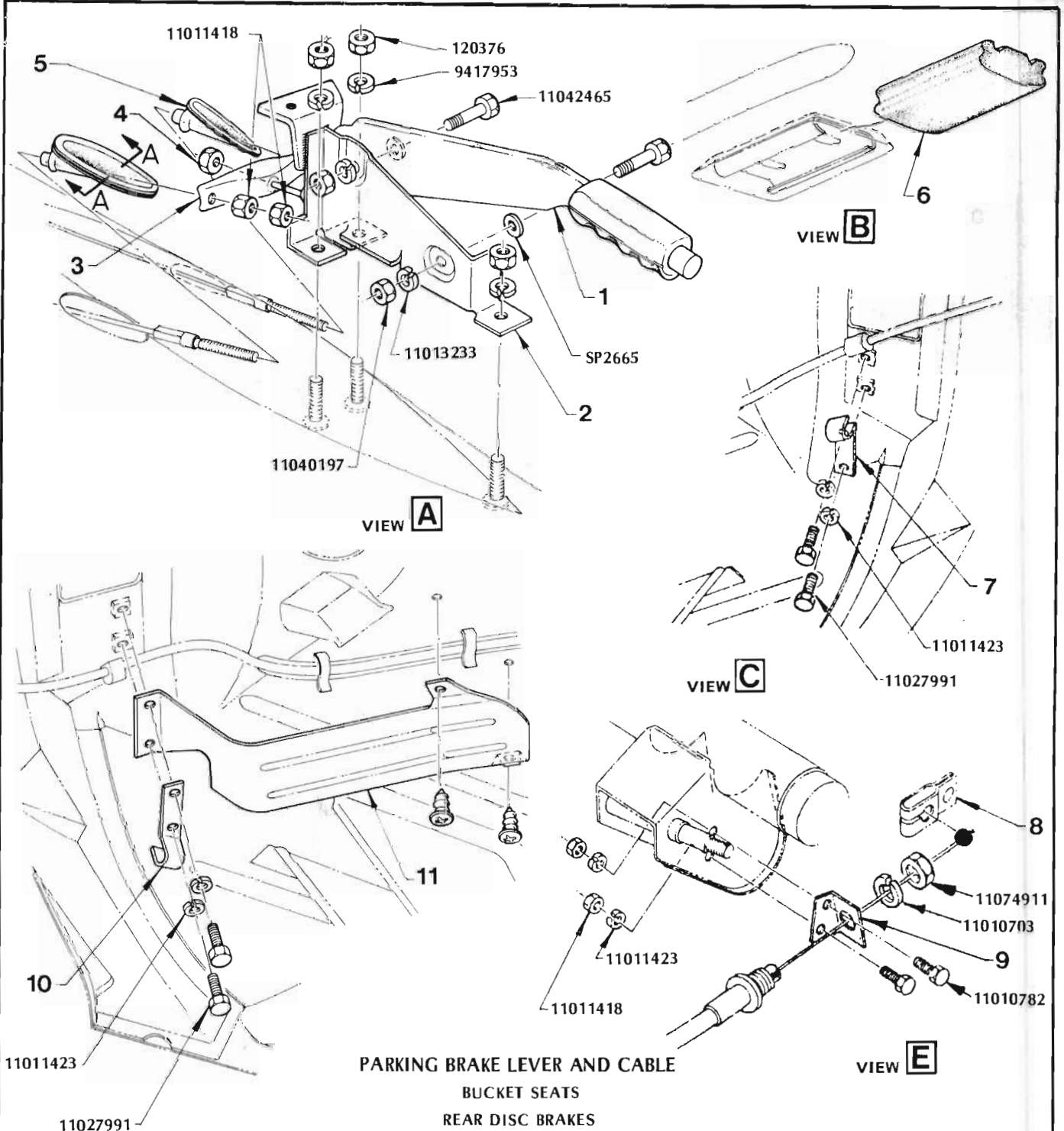
REAR DRUM BRAKES

ILLUS. REF. NO.	PART NAME	GROUP
1.	LEVER ASSEMBLY .....	4.591
2.	BRACKET ASSEMBLY - Lever mounting .....	4.591
3.	EQUALISER - Parking brake cable .....	4.764
4.	NUT - Equaliser to pull rod .....	4.764
5.	BOOT - Cable .....	4.826
6.	CLAMP - Cable - Right hand .....	4.826
7.	SHIELD - Cable heat .....	4.829
8.	CLAMP - Cable - Left hand .....	4.826
9.	BUMPER - Cable protector .....	4.829



PARKING BRAKE  
 BUCKET SEATS  
 REAR DISC BRAKES

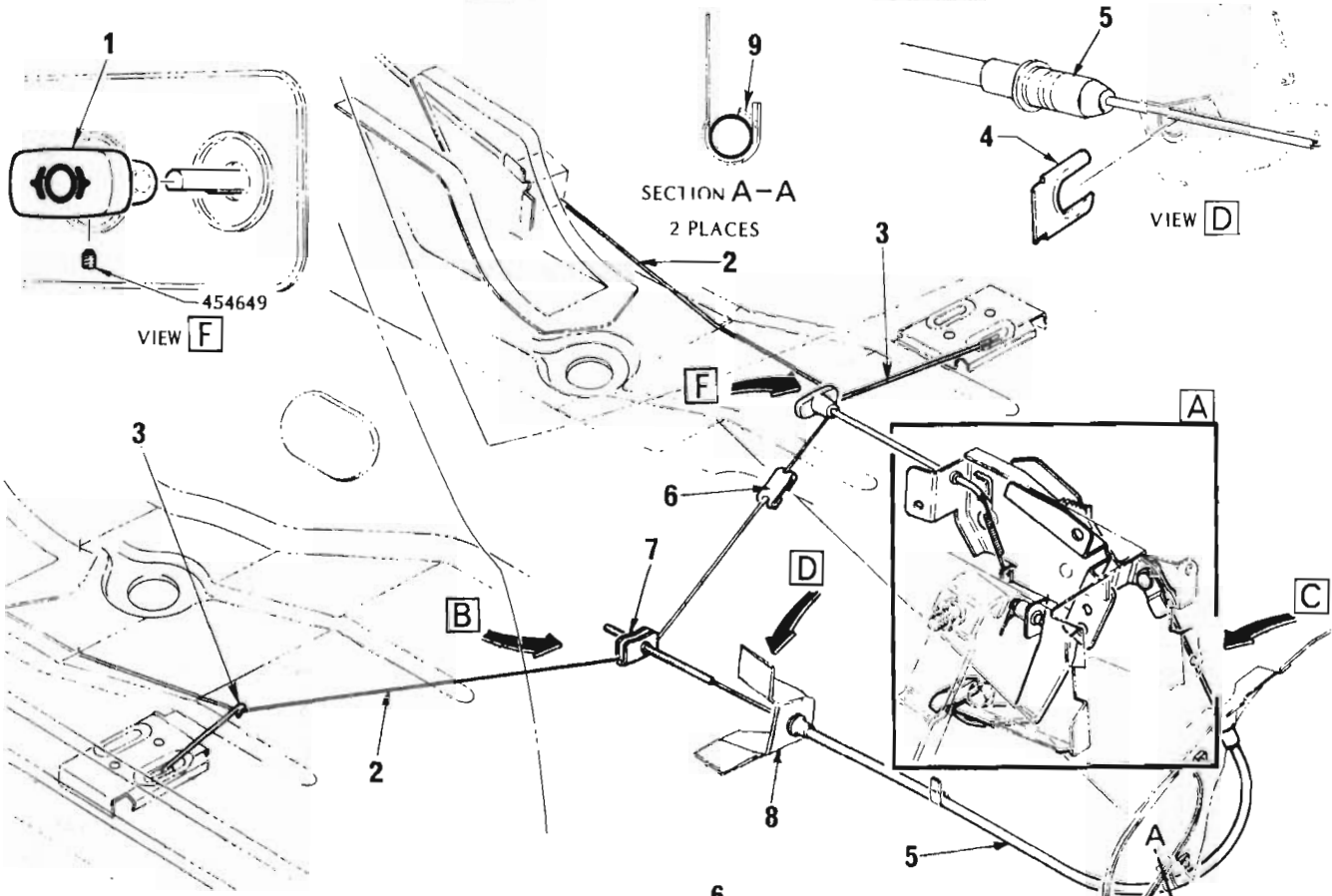
ILLUS. REF. NO.	PART NAME	GROUP
1.	CABLE ASSEMBLY .....	4.826



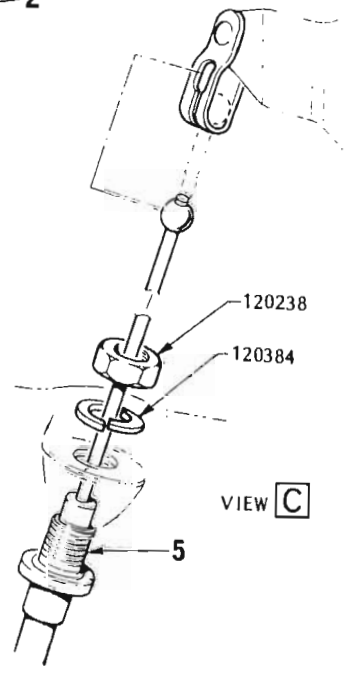
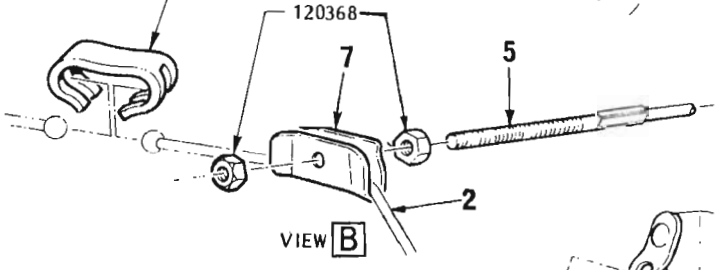
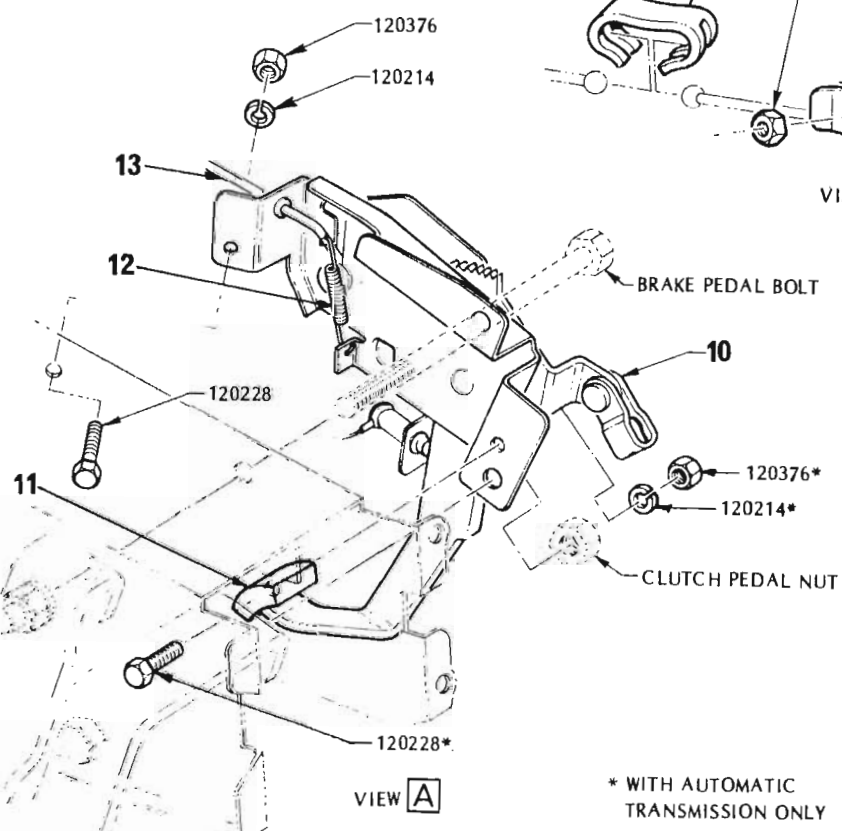
PARKING BRAKE LEVER AND CABLE  
 BUCKET SEATS  
 REAR DISC BRAKES

VIEW **D**

ILLUS. REF. NO.	PART NAME	GROUP
1.	LEVER ASSEMBLY .....	4.591
2.	BRACKET ASSEMBLY - Lever mounting .....	4.591
3.	EQUALISER - Parking brake cable .....	4.764
4.	NUT - Equaliser to pull rod .....	4.764
5.	BOOT - Cable .....	4.826
6.	BUMPER - Cable protector .....	4.829
7.	CLAMP - Cable .....	4.826
8.	CLEVIS - Cable .....	4.826
9.	BRACKET - Cable to rear axle .....	4.829
10.	CLAMP - Cable .....	4.826
11.	SHIELD - Cable heat .....	4.829



**PARKING BRAKE LAYOUT  
RIGHT HAND DRIVE**



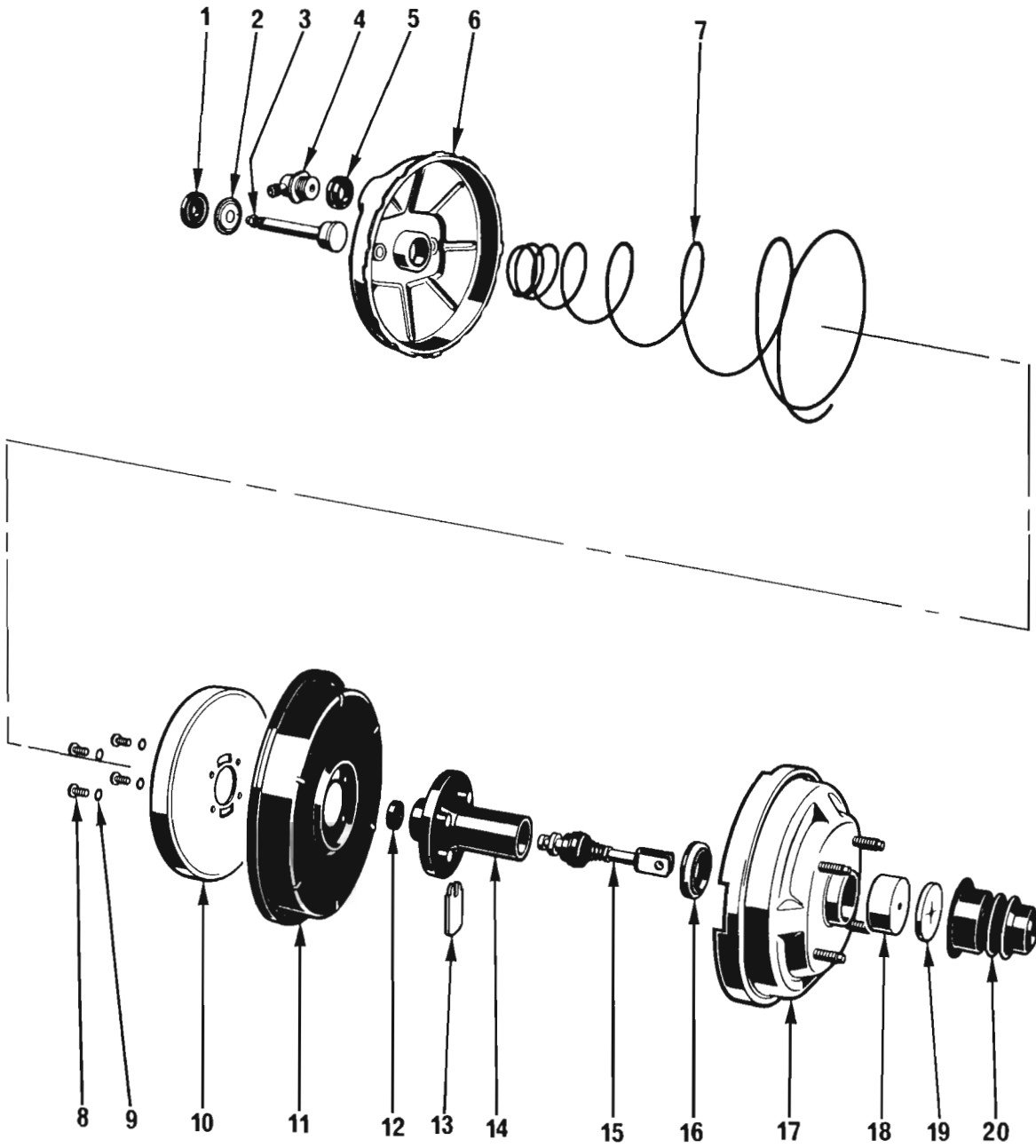
\* WITH AUTOMATIC TRANSMISSION ONLY

PARKING BRAKE LAYOUT  
BENCH SEAT

ILLUSTRATION OPPOSITE

ILLUS . REF. NO.	PART NAME	GROUP
1.	KNOB - Brake release rod . . . . .	4.592
2.	CABLE ASSEMBLY - Rear . . . . .	4.826
3.	GUIDE - Rear cable . . . . .	4.829
4.	SPRING - Yoke . . . . .	4.826
5.	CABLE ASSEMBLY - Front . . . . .	4.826
6.	CONNECTOR - Rear cable . . . . .	4.830
7.	EQUALISER - Rear cable . . . . .	4.764
8.	BRACKET - Front cable . . . . .	4.829
9.	CLIP - Front cable to floor . . . . .	4.826
10.	PEDAL ASSEMBLY - Brake . . . . .	4.591
11.	TRIM - Brake pedal pad . . . . .	4.591
12.	SPRING - Brake pedal release rod . . . . .	4.606
13.	ROD - Brake pedal release . . . . .	4.594



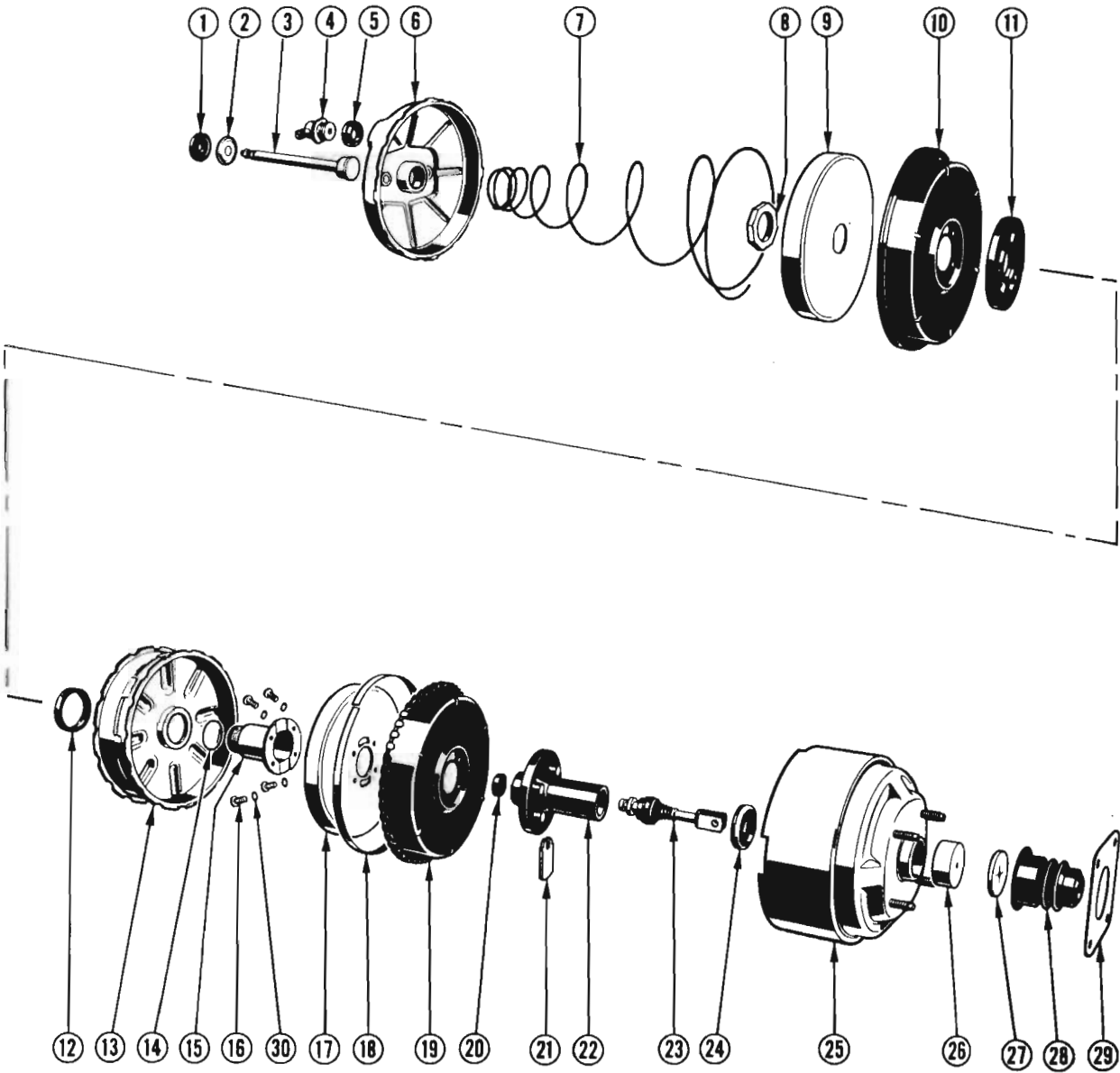


**BRAKE BOOSTER  
EXC. REAR WHEEL DISC BRAKES**

**ILLUSTRATION OPPOSITE**

ILLUS. REF. NO.	PART NAME	GROUP
1-20	BOOSTER ASSEMBLY .....	4.902
1 (A)	SEAL - Push rod .....	4.907
2.	PLATE - Push rod seal support - Booster .....	4.907
3.	ROD - Main cylinder push - Booster .....	4.907
4 (A)	VALVE ASSEMBLY - Check .....	4.904
5 (A)	GROMMET - Check valve .....	4.904
6.	SHELL & STUDS - Front .....	N.S.S.
7.	SPRING - Return .....	N.S.S.
8.	SCREW .....	N.S.S.
9.	WASHER .....	N.S.S.
10.	PLATE - Pressure .....	N.S.S.
11.	DIAPHRAGM .....	N.S.S.
12.	DISC - Reaction - Booster .....	4.907
13.	KEY - Locking .....	N.S.S.
14.	VALVE BODY .....	N.S.S.
15 (A)	PLUNGER ASSEMBLY - Valve rod .....	N.S.S.
16 (A)	SEAL - Rear shell - Booster .....	4.908
17.	SHELL & STUDS - Rear .....	N.S.S.
18.	FILTER - Air .....	4.903
19.	WASHER - Plunger felt .....	4.907
20.	BOOT - Plunger - Booster .....	4.907

NOTE: (A PARTS ARE INCLUDED IN REPAIR KIT - REFER GROUP 4.902

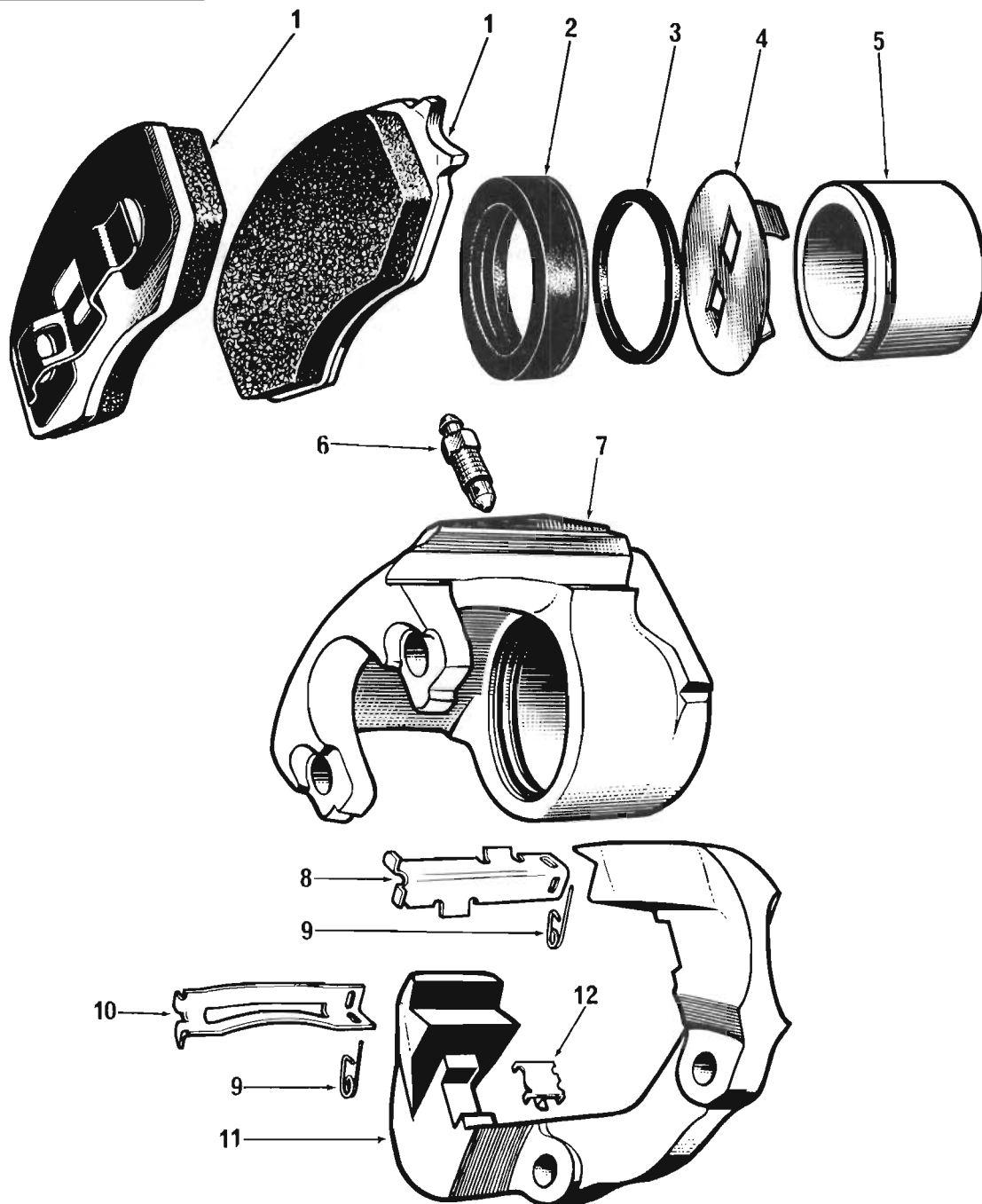


**BRAKE BOOSTER  
REAR WHEEL DISC BRAKES**

**ILLUSTRATION OPPOSITE**

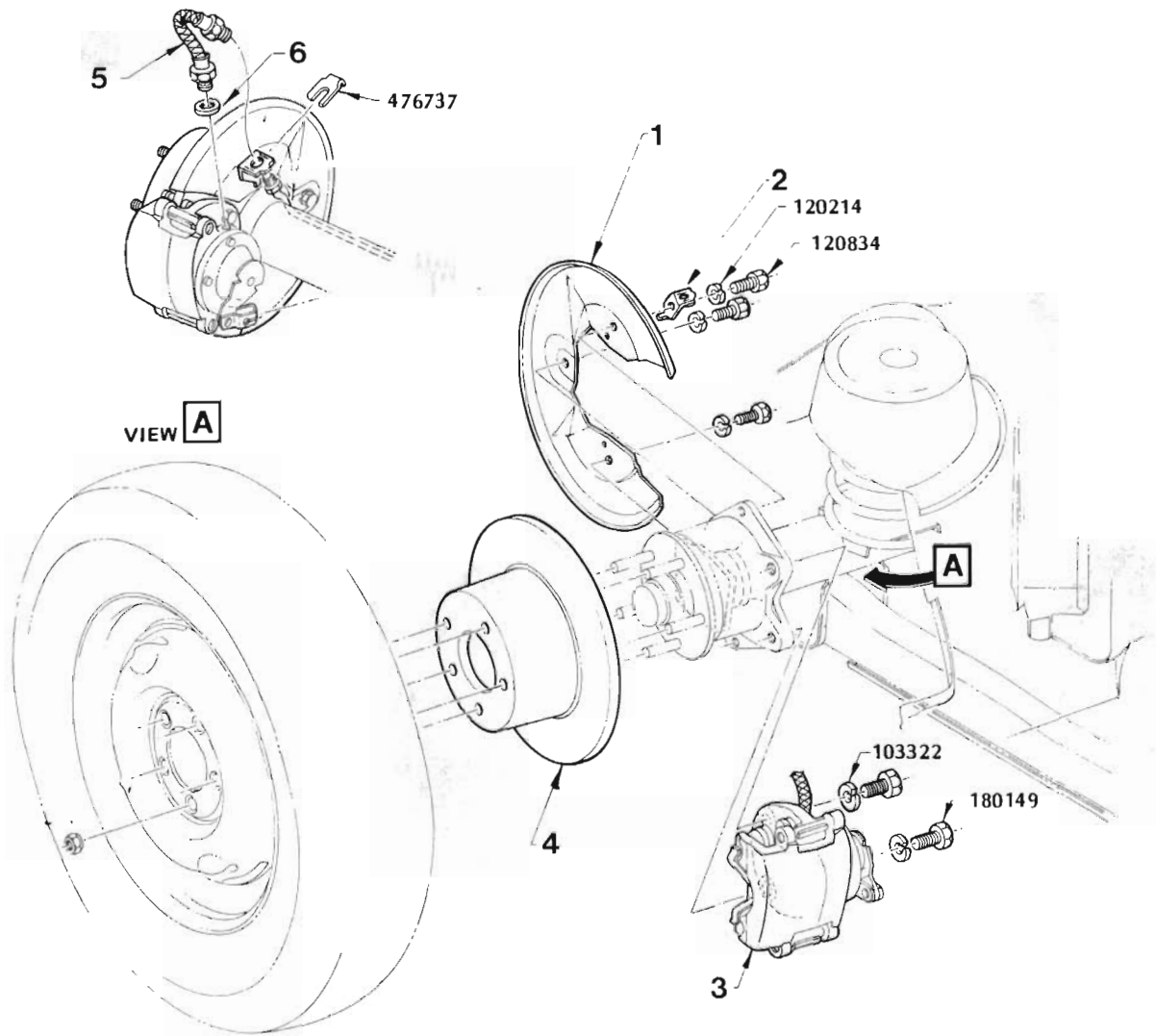
ILLUS. REF. NO.	PART NAME	GROUP
1-29	BOOSTER ASSEMBLY .....	4.902
1 (A)	SEAL - Push rod .....	4.907
2.	PLATE - Push rod seal support .....	4.907
3.	ROD - Main cylinder push .....	4.907
4 (A)	VALVE ASSEMBLY - Check .....	4.904
5.(A)	GROMMET - Check valve .....	4.904
6.	SHELL AND STUDS - Front .....	N.S.S.
7.	SPRING - Diaphragm return .....	N.S.S.
8.	NUT - Locating .....	N.S.S.
9.	PRESSURE PLATE - Front diaphragm .....	N.S.S.
10.	DIAPHRAGM .....	N.S.S.
11.	DIAPHRAGM COLLAR .....	N.S.S.
12.	SEAL - Rear shell .....	4.908
13.	SHELL - Centre .....	N.S.S.
14.	'O' RING - Adaptor .....	N.S.S.
15.	ADAPTOR .....	N.S.S.
16.	SCREW .....	N.S.S.
17.	PLATE - Diaphragm press .....	N.S.S.
18.	SPACER - Diaphragm .....	N.S.S.
19.	DIAPHRAGM - Rear .....	N.S.S.
20 (A)	DISC - Reaction .....	4.907
21.	KEY - Locking .....	N.S.S.
22.	VALVE BODY .....	N.S.S.
23 (A)	PLUNGER ASSEMBLY - Valve rod .....	N.S.S.
24 (A)	SEAL - Rear shell .....	4.908
25.	SHELL & STUDS - Rear .....	N.S.S.
26 (A)	FILTER - Air .....	4.903
27 (A)	WASHER - Plunger felt .....	4.907
28 (A)	BOOT - Plunger .....	4.907
29.	RETAINER - Plunger boot .....	N.S.S.

NOTE: (A PARTS ARE INCLUDED IN REPAIR KIT - REFER GROUP 4.902



FRONT BRAKE CALIPER

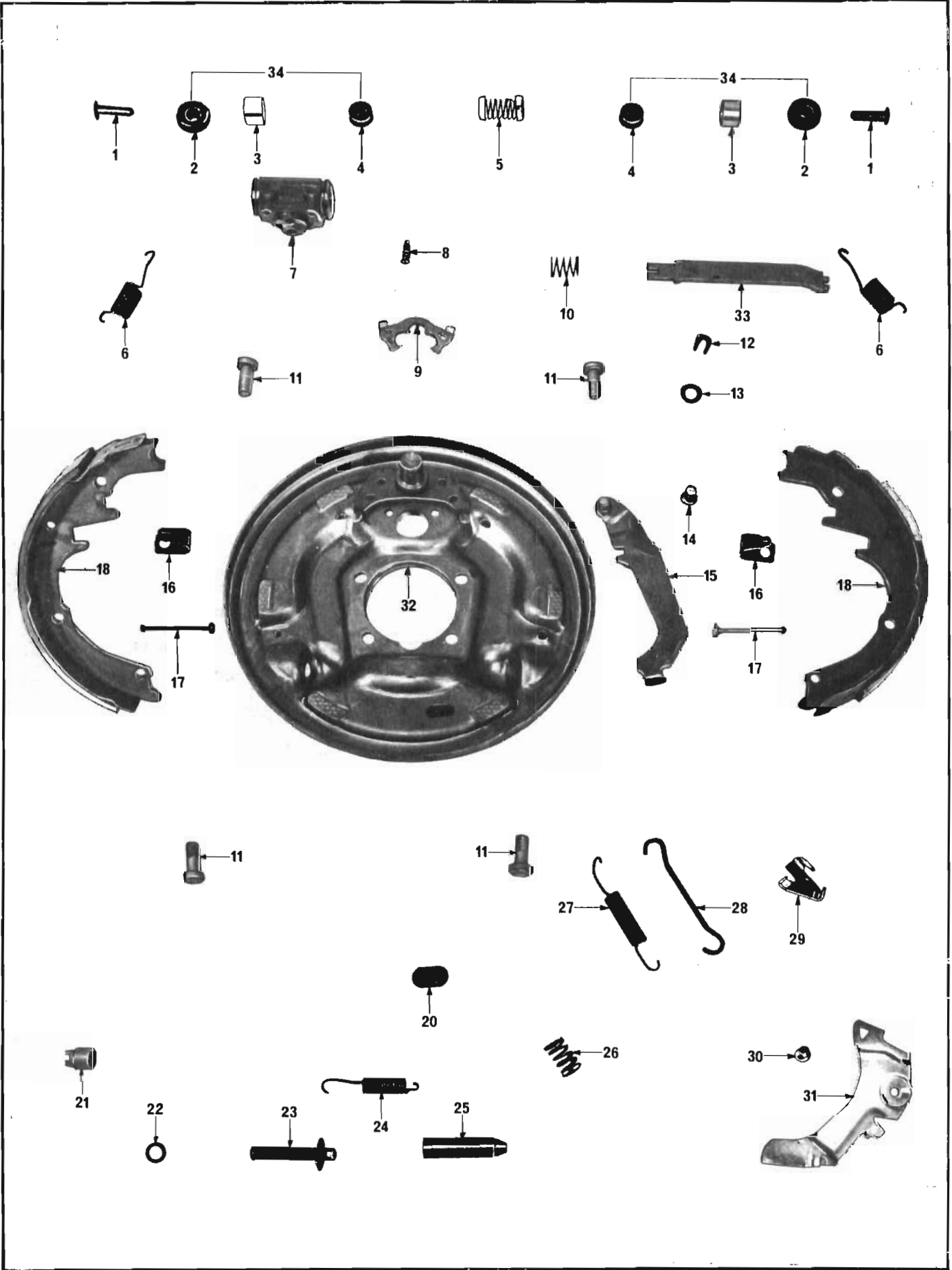
ILLUS. REF. NO.	PART NAME	GROUP
1.	PAD SET .....	5.018
2. } 3. }	SEAL KIT - Front .....	4.667
4.	SHIM - Caliper piston .....	4.668
5.	PISTON - Front caliper .....	4.668
6.	VALVE - Front caliper .....	4.666
7.	HOUSING .....	N. S. S.
8.	SPACER - Key .....	4.666
9.	CLIP - Retaining .....	4.665
10.	SPRING - Support .....	4.665
11.	BRACKET .....	N. S. S.
12.	CUP - Anti-rattle spring .....	4.665



REAR DISC BRAKES

ILLUS. REF. NO.	PART NAME	GROUP
1.	SHIELD - Rear .....	4.670
2.	BRACKET - Rear hose mounting .....	4.681
3.	CALIPER ASSEMBLY - Rear .....	4.665
4.	DISC ASSEMBLY - Rear .....	5.809
5.	HOSE - Rear .....	4.680
6.	WASHER - Rear hose to caliper .....	4.680

"UC" TORANA/HOLDEN SUNBIRD PARTS CATALOGUE



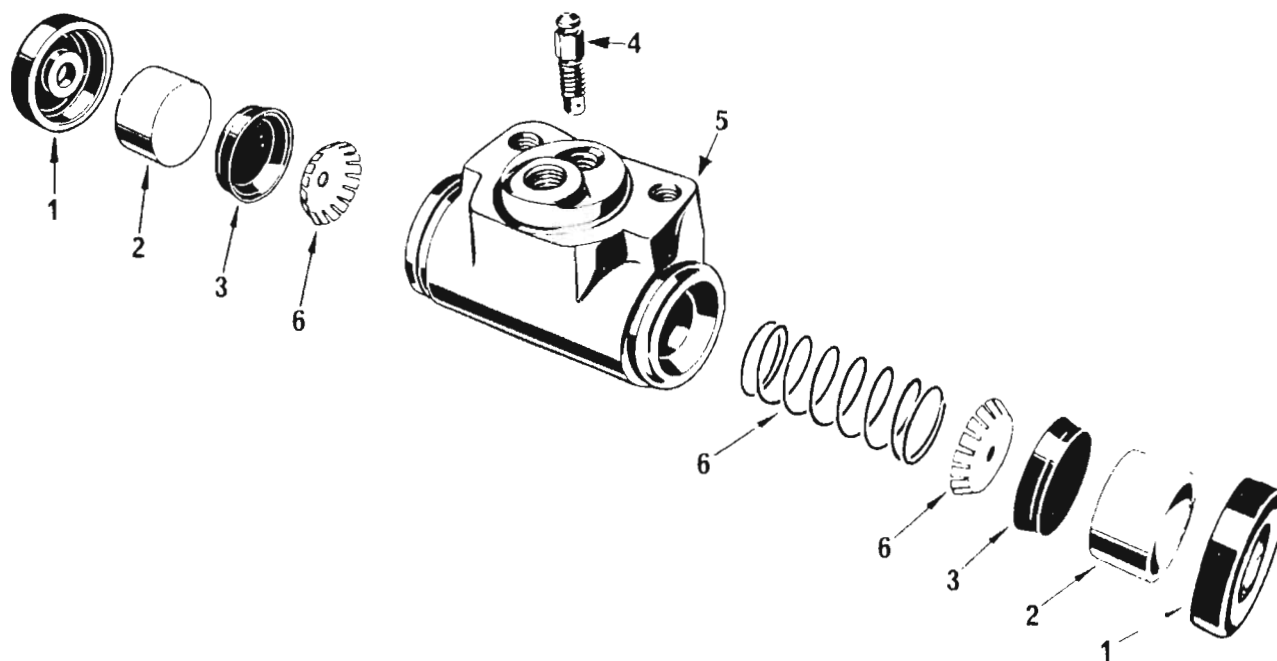
**REAR BRAKES**

**ILLUSTRATION OPPOSITE**

ILLUS. REF. NO.	PART NAME	GROUP
1.	LINK - Wheel cylinder connecting .....	4.675
2,1A	BOOT - Wheel cylinder .....	4.670
3.	PISTON - Wheel cylinder .....	4.668
4,1A	CUP - Wheel cylinder .....	4.667
5.	SPRING - Wheel cylinder .....	4.669
6.	SPRING - Brake shoe retractor .....	5.026
7.	BODY - Wheel cylinder .....	4.665
8.	VALVE - Bleeder .....	4.666
9.	PLATE - Shoe guide .....	5.045
10.	SPRING - Parking lever strut .....	5.151
11.	BOLT - Plate to axle .....	5.002
12.	CLIP - Parking lever retainer .....	5.158
13.	WASHER - Parking lever to secondary shoe .....	5.158
14.	PIN - Parking lever .....	5.158
15.	LEVER - Parking brake actuating .....	5.149
16.	SPRING - Shoe hold down pin .....	5.043
17.	PIN - Shoe hold down .....	5.041
18.	SHOE & LINING - Primary, secondary .....	5.017
19.	LINING SET .....	5.018
20.	COVER - Adjusting hole .....	5.188
21.	PLUG - Adjusting screw .....	5.111
22.	WASHER - Adjusting screw .....	5.110
23.	SCREW - Adjusting .....	5.110
24.	SPRING - Adjusting nut .....	5.026
25.	NUT - Adjusting .....	5.111
26.	SPRING - Adjuster - return .....	5.107
27.	SPRING - Adjuster - overload .....	5.107
28.	LINK - Adjuster .....	5.105
29.	PLATE - Adjuster lever .....	5.103
30.	BUSHING - Adjuster .....	5.103
31.	LEVER - Adjuster .....	5.103
32.	PLATE ASSY. - Backing .....	5.001
33.	STRUT - Adjusting lever .....	5.150
34.	REPAIR KIT .....	4.665

NOTE: 1A Parts included in Repair Kit. Illus. Ref. No. 34



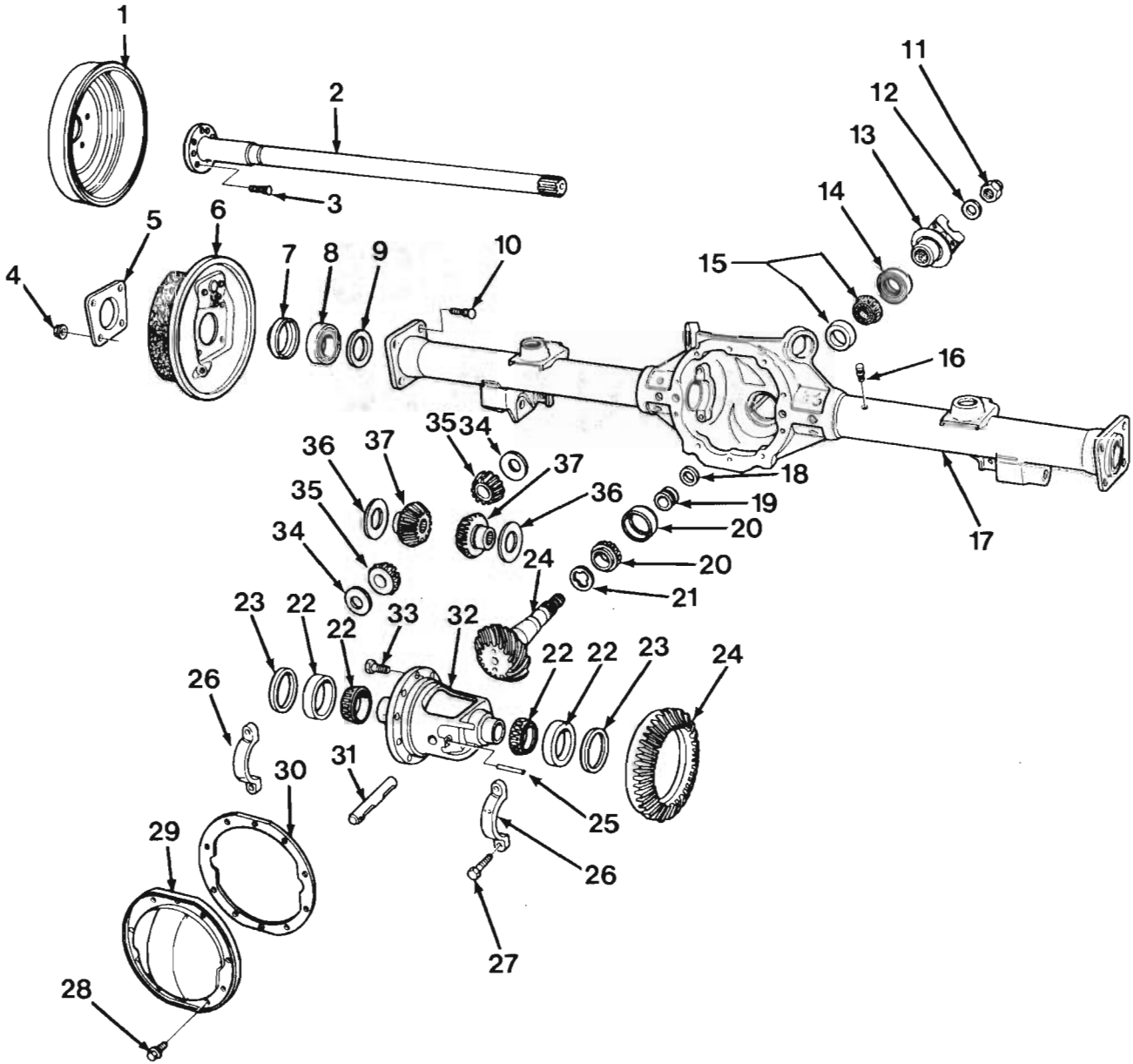


**WHEEL CYLINDERS  
REAR DRUM BRAKES**

ILLUS. REF. NO.	PART NAME	GROUP
1 (A)	BOOT — Rear .....	4.670
2.	PISTON — Rear .....	4.668
3 (A)	CUP .....	4.667
4.	VALVE — Rear cylinder .....	4.666
5.	BODY .....	4.665
6.	SPRING — Rear .....	4.669

NOTE: (A) PARTS ARE INCLUDED IN REPAIR KIT — REFER GROUP 4.665

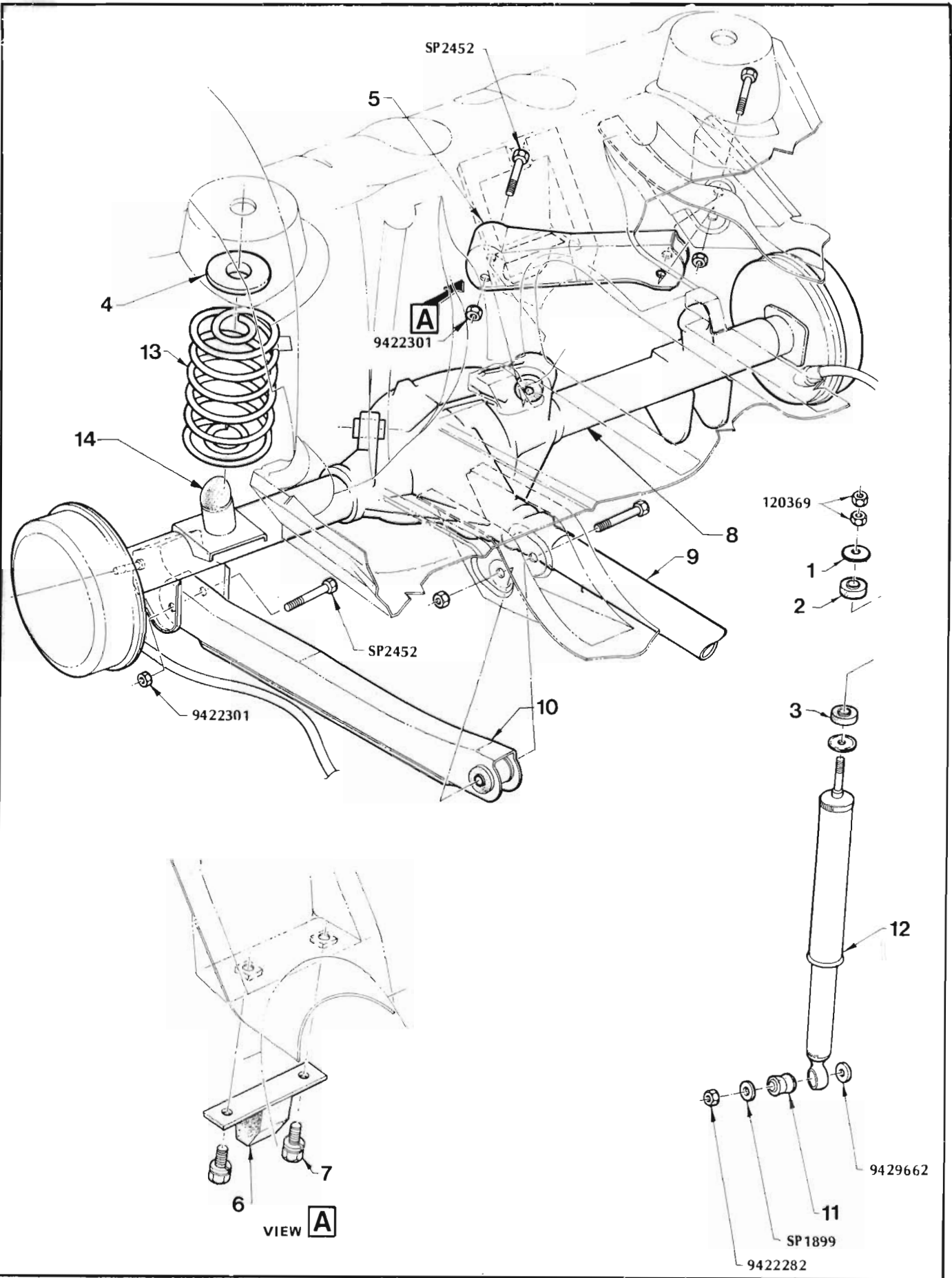
**GROUP 5.000**  
**REAR AXLE & DRIVE**



**REAR AXLE**

**ILLUSTRATION OPPOSITE**

ILLUS. REF. NO.	PART NAME	GROUP
1.	DRUM - Brake .....	5.809
2.	SHAFT - Rear axle .....	5.420
3.	BOLT - Wheel hub .....	5.812
4.	NUT - Rear plate to axle .....	5.002
5.	RETAINER - Axle shaft .....	5.816
6.	PLATE - Brake backing .....	5.001
7.	SEAL - Rear axle bearing oil .....	5.822
8.	BEARING - Rear axle .....	5.855
9.	RING - Rear axle bearing retainer .....	5.816
10.	BOLT - Plate to axle housing .....	5.002
11.	NUT - Pinion flange .....	5.545
12.	WASHER - Pinion flange nut .....	5.545
13.	FLANGE - Differential pinion .....	5.545
14.	SEAL - Rear axle pinion oil .....	5.469
15.	BEARING ASSEMBLY - Pinion front .....	5.447
16.	BREATHER - Rear axle .....	5.387
17.	HOUSING ASSEMBLY - Rear axle .....	5.387
18.	SHIM - Pinion bearing pre-load .....	5.460
19.	SPACER - Pinion bearing .....	5.453
20.	BEARING ASSEMBLY - Pinion front .....	5.447
21.	SHIM - Pinion bearing locating .....	5.460
22.	BEARING ASSEMBLY - Differential side .....	5.536
23.	SHIM - Differential side bearing .....	5.537
24.	RING GEAR & PINION .....	5.529
25.	PIN - Differential pinion shaft lock .....	5.518
26.	CAP - Differential carrier .....	N.S.S.
27.	BOLT - Cap to carrier .....	5.506
28.	BOLT - Cover to housing .....	5.398
29.	COVER - Rear axle housing .....	5.398
30.	GASKET - Rear axle housing cover .....	5.399
31.	SHAFT - Differential pinion .....	5.517
32.	CASE - Differential .....	5.510
33.	BOLT - Ring gear .....	5.531
34.	WASHER - Differential pinion thrust .....	5.542
35.	GEAR - Differential pinion .....	5.526
36.	WASHER - Differential side gear thrust .....	5.543
37.	GEAR - Differential side .....	5.528

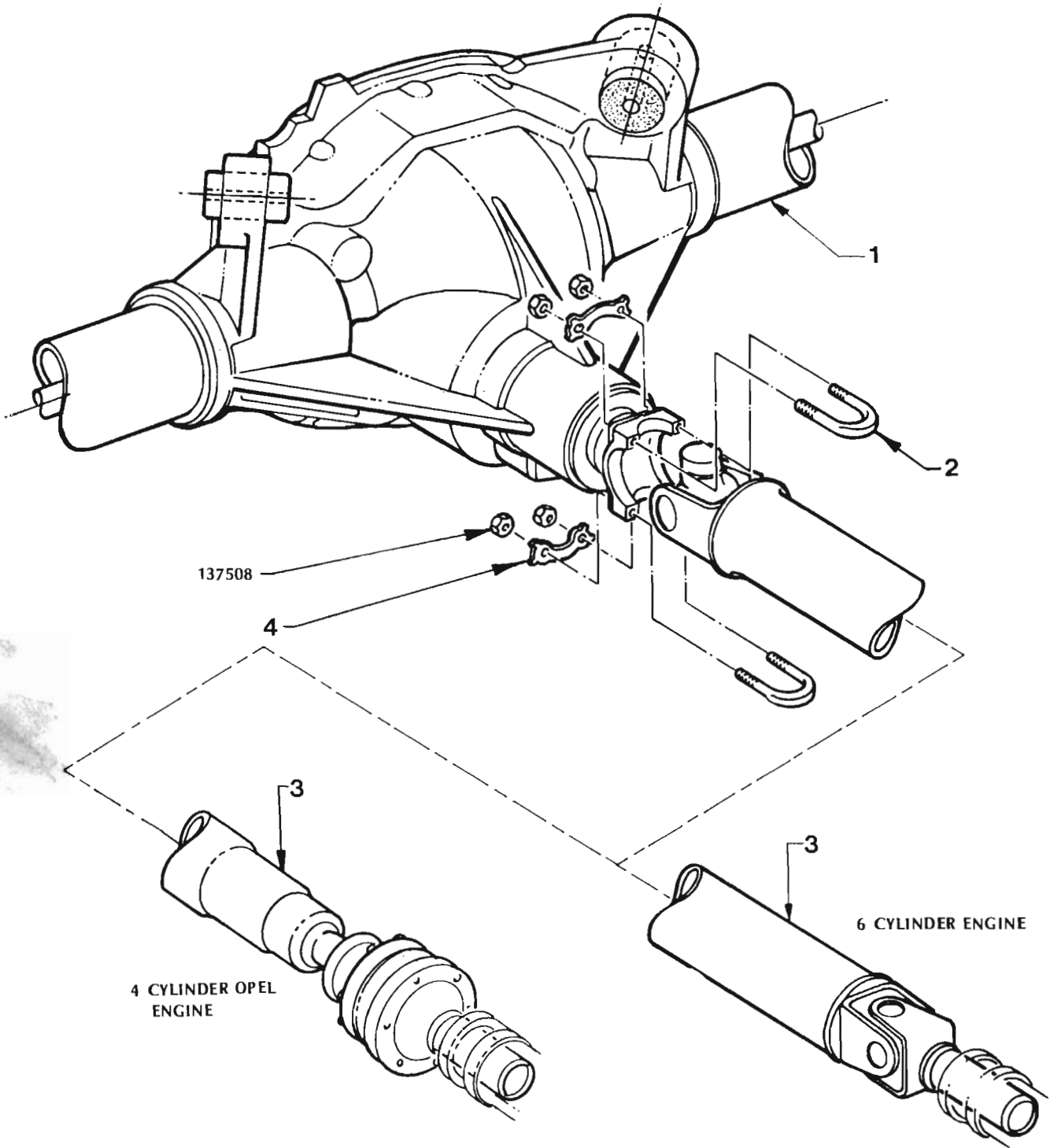




REAR AXLE AND SUSPENSION

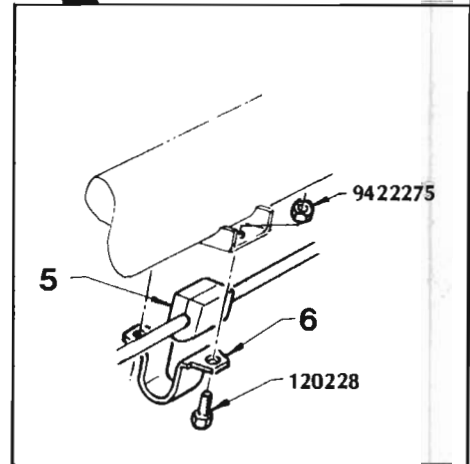
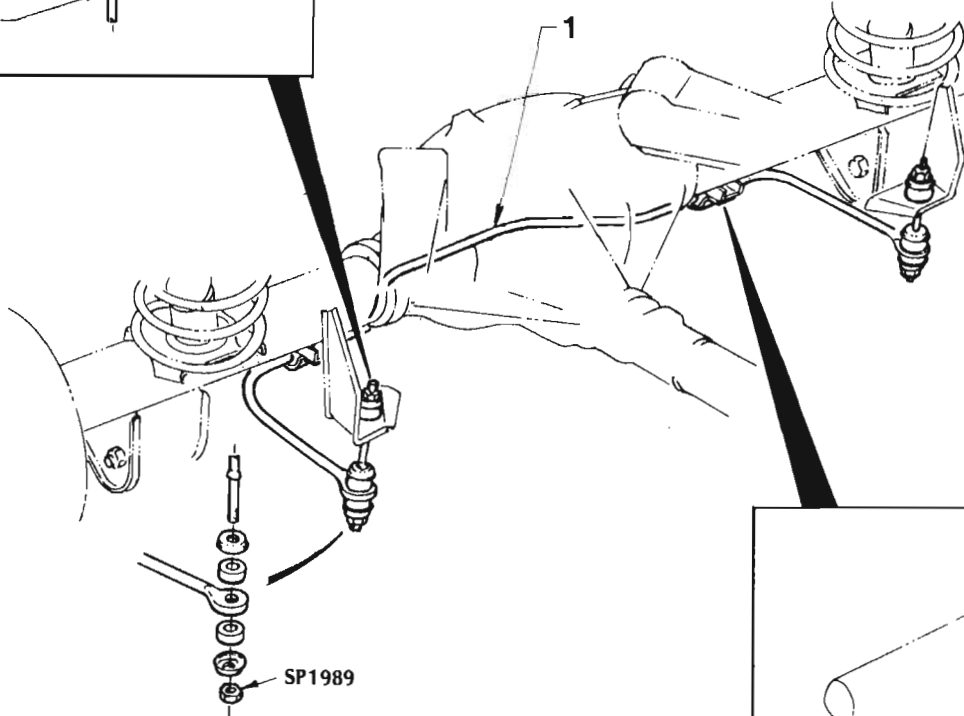
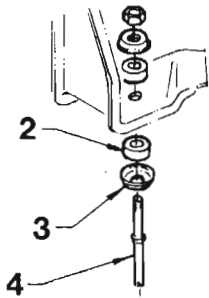
ILLUSTRATION OPPOSITE

ILLUS. REF. NO.	PART NAME	GROUP
1.	PLATE – Shock absorber to upper mounting .....	7.370
2.	BUSH – Shock absorber to upper mounting – Upper .....	7.370
3.	BUSH – Shock absorber to upper mounting – Lower .....	7.370
4.	INSULATOR – Rear spring seat .....	7.545
5.	ARM ASSEMBLY – Upper control .....	5.382
6.	BUMPER ASSEMBLY – Pinion nose .....	5.395
7.	BOLT – Bumper to underbody .....	5.395
8.	HOUSING ASSEMBLY .....	5.387
9.	SHAFT – Propeller .....	5.441
10.	ARM ASSEMBLY – Lower control .....	5.382
11.	BUSH – Shock absorber mounting lower .....	7.370
12.	SHOCK ABSORBER .....	7.345
13.	SPRING – Rear .....	7.503
14.	BUMPER – Rear axle .....	7.535



REAR AXLE AND PROPELLER SHAFT

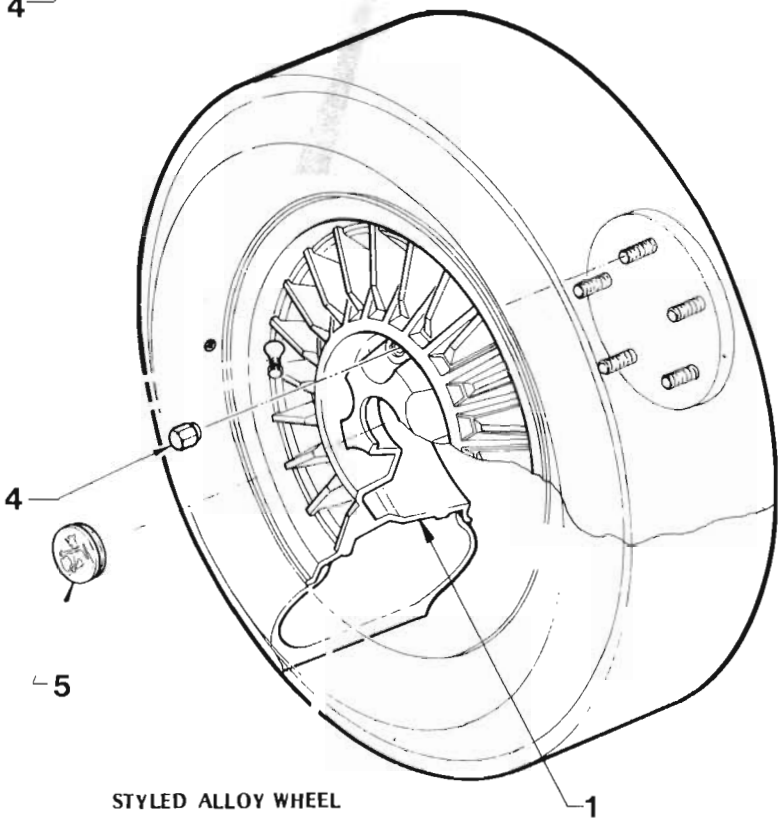
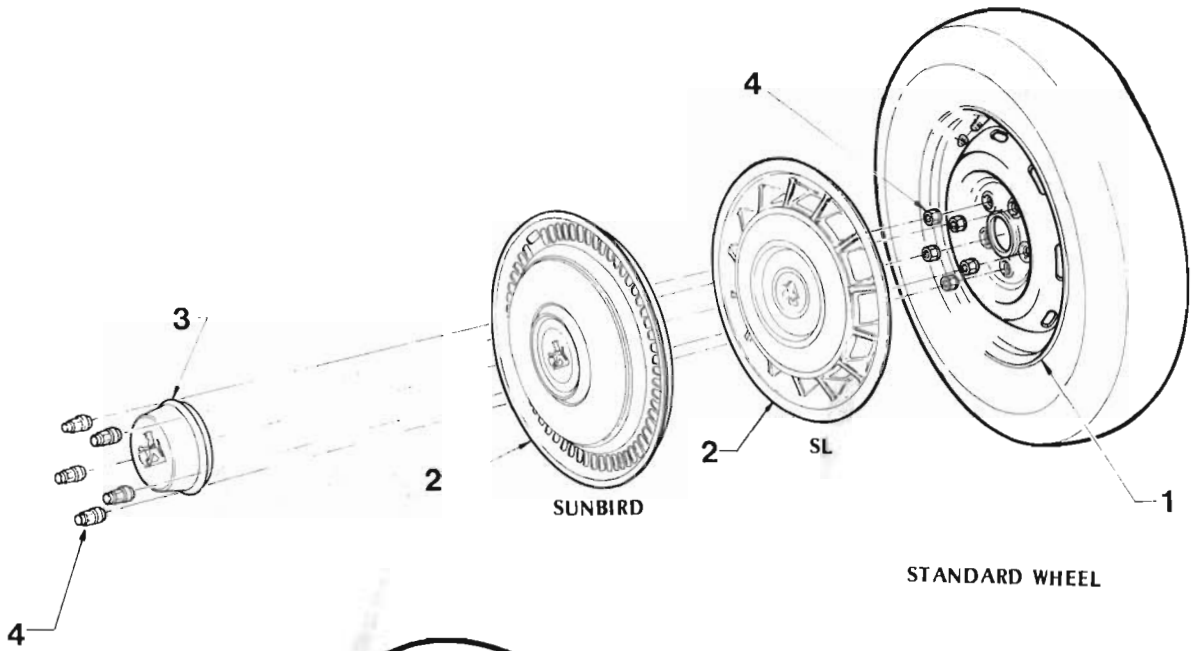
ILLUS. REF. NO.	PART NAME	GROUP
1.	REAR AXLE ASSEMBLY .....	5.386
2.	'U' BOLT .....	5.586
3.	SHAFT - Propeller .....	5.441
4.	PLATE - Differential pinion flange .....	5.546



**REAR STABILIZER SHAFT**

ILLUS. REF. NO.	PART NAME	GROUP
1.	SHAFT .....	5.415
2.	BUSH - Shaft to body .....	5.415
3.	RETAINER - Shaft to body .....	5.415
4.	STUD - Shaft to body .....	5.415
5.	INSULATOR - Shaft to axle bracket .....	5.415
6.	BRACKET - Shaft to axle bracket .....	5.415

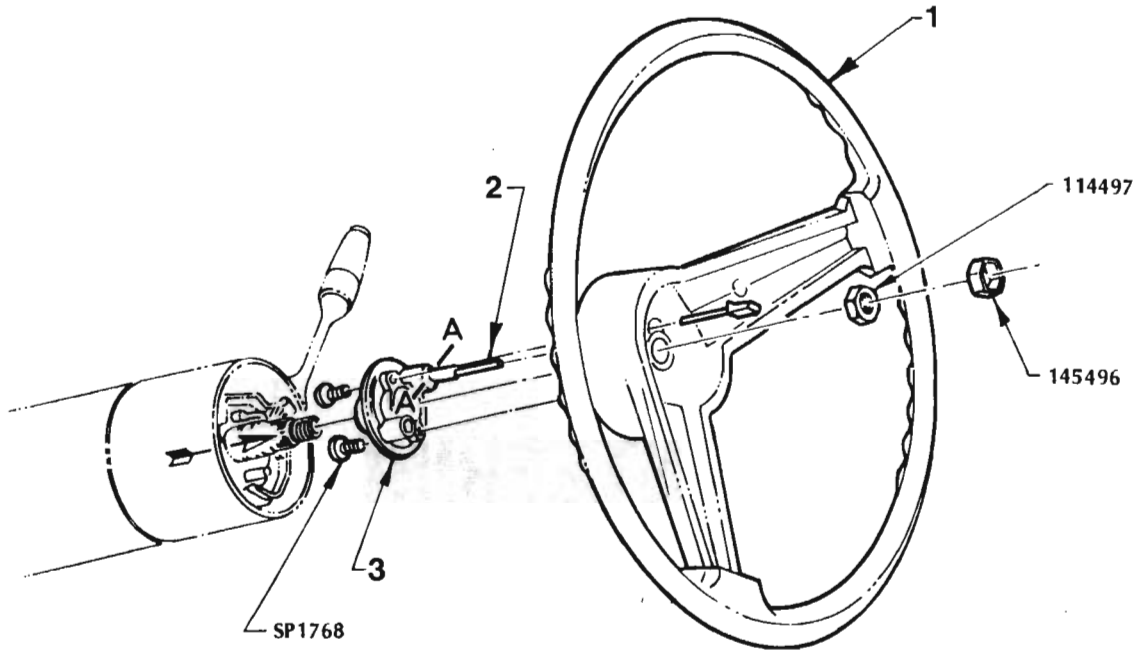




ROAD WHEEL AND WHEEL TRIM

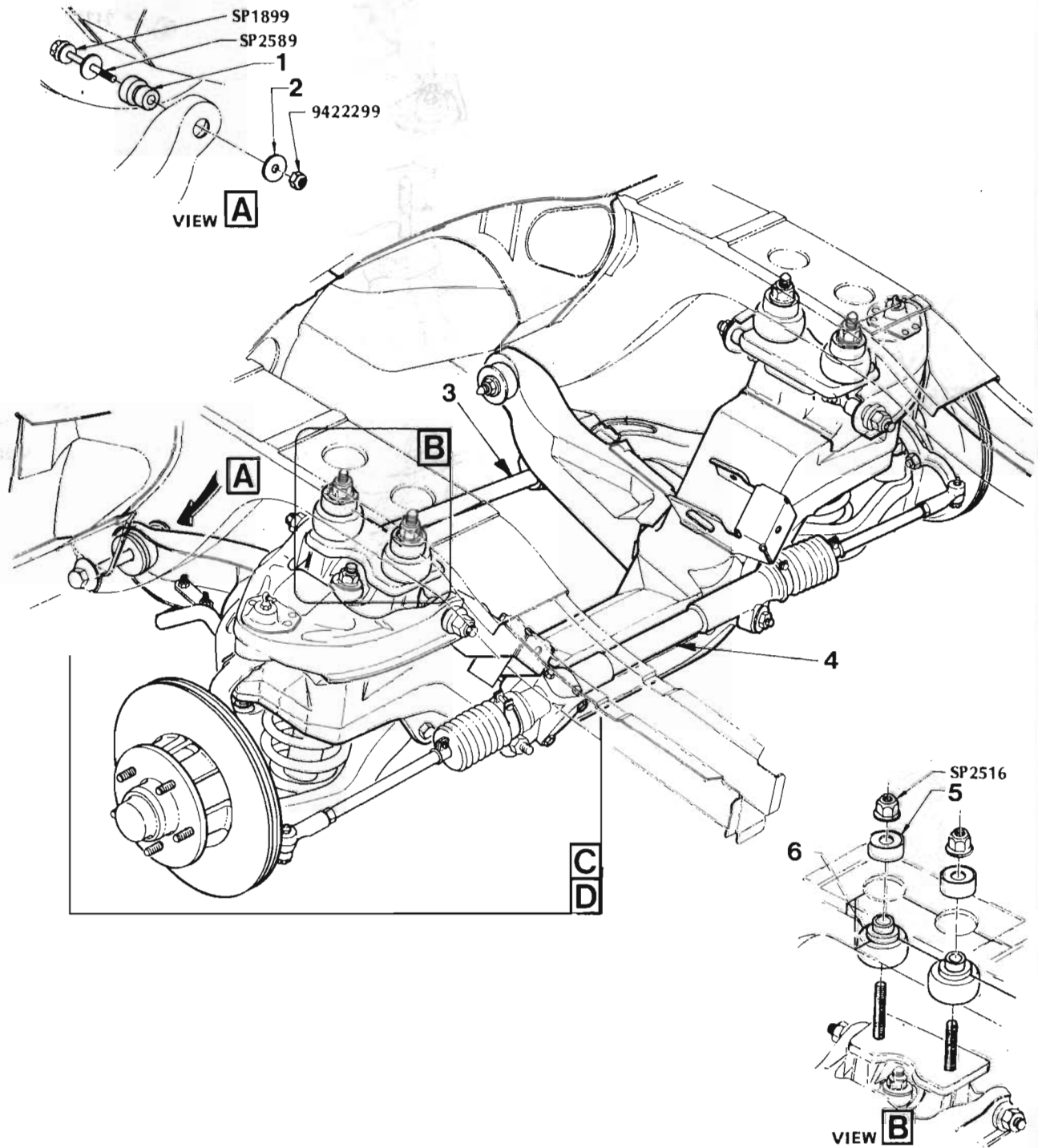
ILLUS. REF. NO.	PART NAME	GROUP
1.	WHEEL ASSEMBLY — Road .....	5.803
2.	TRIM ASSEMBLY .....	5.871
3.	CAP .....	5.858
4.	NUT — Wheel .....	5.813
5.	TRIM — Wheel centre .....	5.871

**GROUP 6.000**  
**FRONT SUSPENSION**  
**STEERING**



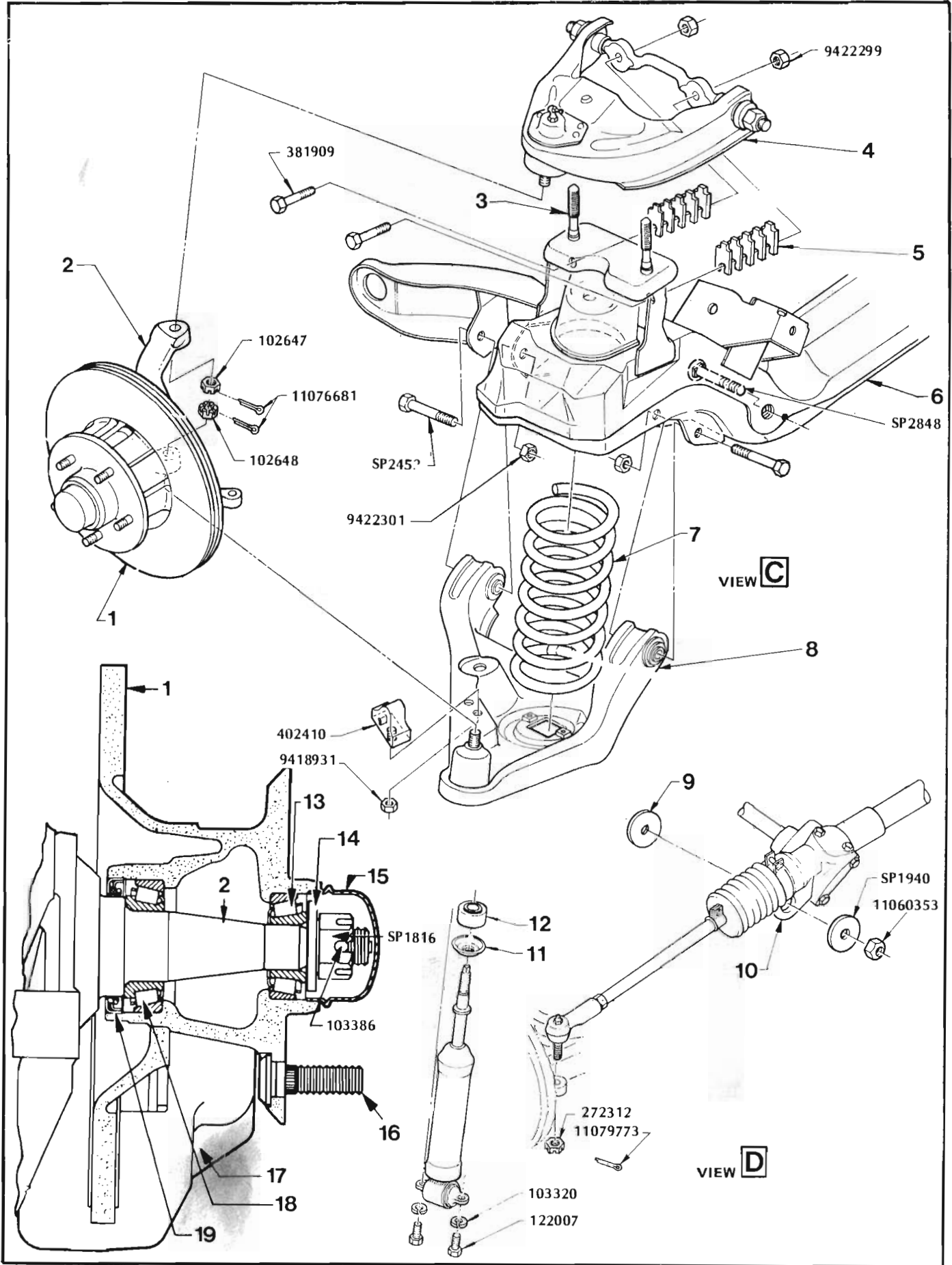
**STEERING WHEEL**

ILLUS. REF. NO.	PART NAME	GROUP
1.	WHEEL ASSEMBLY - Black .....	6.513
2.	LEAD ASSEMBLY - Horn bar earth .....	2.830
3.	SUPPORT AND RING ASSEMBLY .....	2.822



FRONT SUSPENSION AND STEERING GEAR

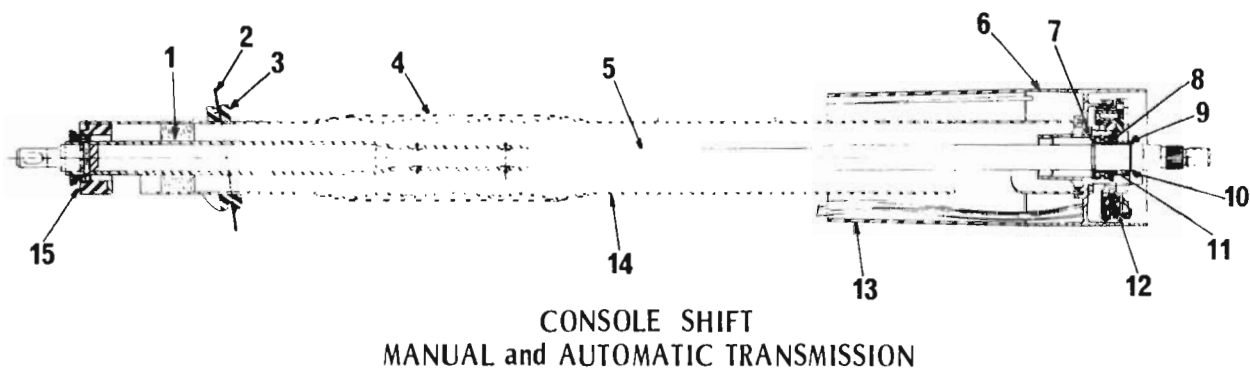
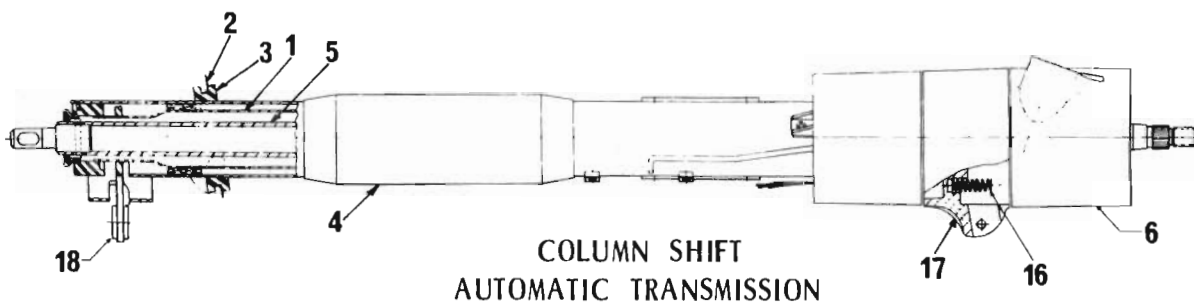
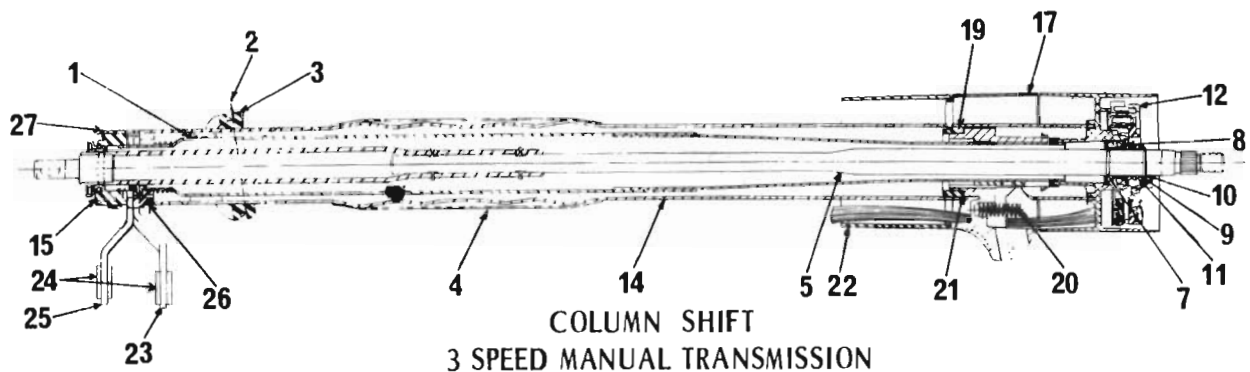
ILLUS. REF. NO.	PART NAME	GROUP
1.	BUSH - To sidemember .....	6.008
2.	WASHER - To sidemember .....	6.008
3.	SHAFT .....	7.241
4.	GEAR ASSEMBLY .....	6.508
5.	MOUNTING & WASHER ASSEMBLY .....	6.008
6.	MOUNTING ASSEMBLY .....	6.008



**FRONT SUSPENSION AND STEERING GEAR**

ILLUSTRATION OPPOSITE

ILLUS. REF. NO.	PART NAME	GROUP
1.	HUB AND DISC ASSEMBLY .....	6.307
2.	KNUCKLE .....	6.020
3.	BOLT - Front suspension to frame .....	6.008
4.	ARM AND BALL JOINT ASSEMBLY - Upper control .....	6.168
5.	SHIM .....	6.163
6.	MEMBER ASSEMBLY .....	6.008
7.	SPRING .....	6.361
8.	ARM AND BALL JOINT ASSEMBLY - Lower control .....	6.168
9.	INSERT - Steering gear mounting .....	6.509
10.	GEAR ASSEMBLY .....	6.508
11.	PLATE - Shock absorber to upper mounting .....	7.370
12.	BUSH - Shock absorber to upper mounting .....	7.370
13.	BEARING ASSEMBLY .....	6.313
14.	WASHER .....	6.321
15.	COVER - Front wheel bearing .....	5.858
16.	BOLT - Wheel hub .....	5.812
17.	CALIPER ASSEMBLY .....	4.665
18.	BEARING ASSEMBLY .....	6.311
19.	SEAL ASSEMBLY .....	6.326

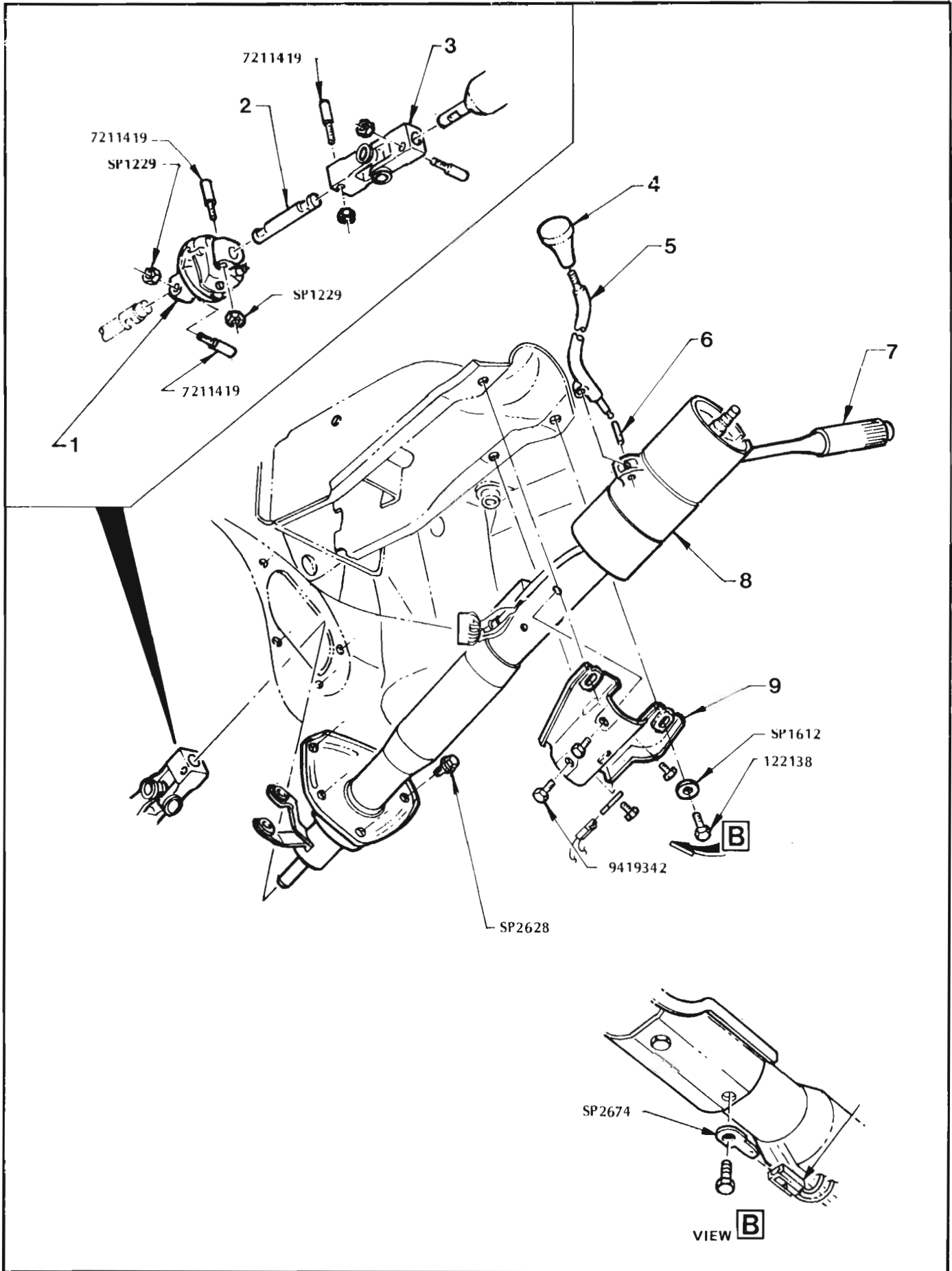


**STEERING COLUMN**

**ILLUSTRATION OPPOSITE**

ILLUS. REF. NO.	PART NAME	GROUP
1.	INSULATOR - Steering column .....	6.758
2.	COVER - Column to floor .....	6.758
3.	INSULATOR - Column to floor .....	6.758
4.	COVER - Steering column jacket .....	6.518
5.	SHAFT ASSEMBLY - Steering .....	6.524
6.	HOUSING ASSEMBLY .....	6.518
7.	RETAINER .....	6.521
8.	WASHER - Lock .....	6.521
9.	WASHER - .75" x 1.00" x .0478" lock .....	6.521
10.	RING .....	6.521
11.	SPRING .....	6.521
12.	SWITCH ASSEMBLY .....	2.895
13.	COVER - Gearshift column upper .....	6.518
14.	JACKET ASSEMBLY .....	6.518
15.	ADAPTOR & BEARING ASSEMBLY .....	6.524
16.	SPRING - Lever anti-rattle .....	4.017
17.	SUPPORT - Transmission control lever .....	4.018
18.	INSULATOR .....	4.040
19.	SPACER - Support .....	4.018
20.	SPRING - Tube return .....	4.017
21.	SUPPORT .....	4.018
22.	COVER - Steering column lower .....	6.518
23.	LEVER .....	4.019
24.	INSULATOR - Trunnion .....	4.019/4.020
25.	LEVER .....	4.020
26.	RETAINER - Lever .....	4.019
27.	CLIP - Adaptor .....	6.524

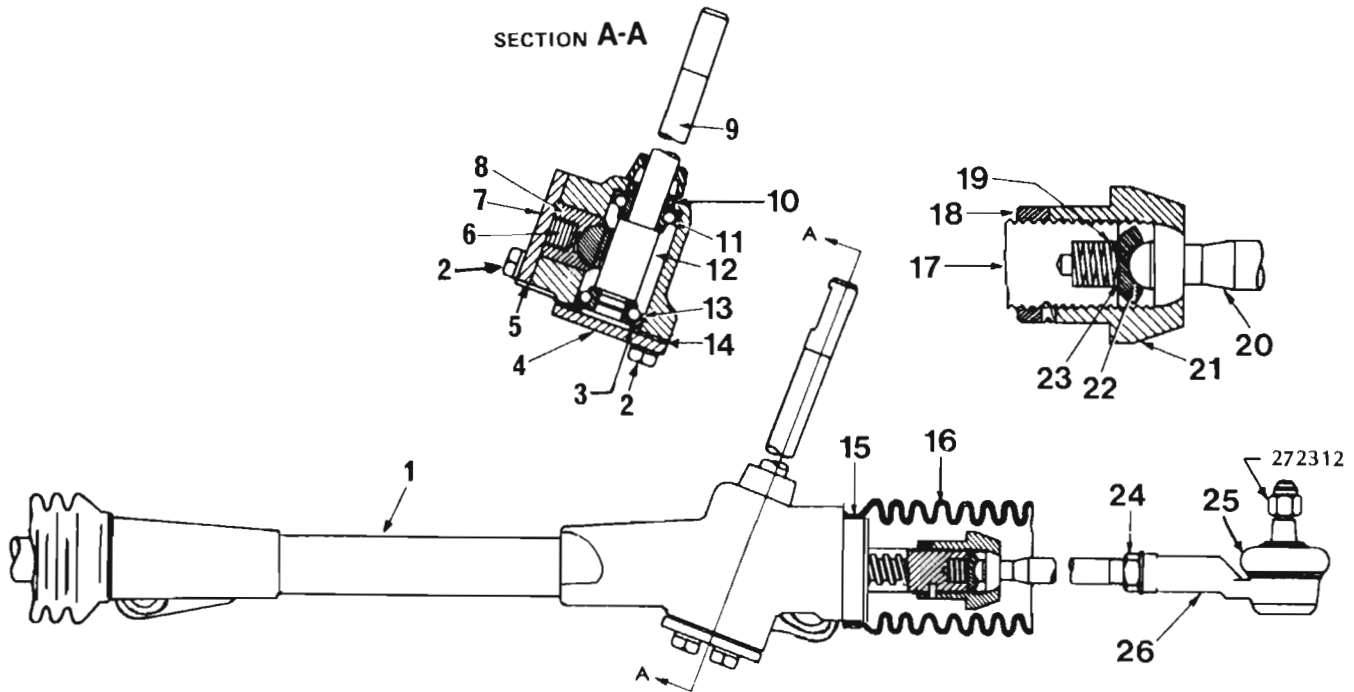




**STEERING COLUMN AND COUPLING**

**ILLUSTRATION OPPOSITE**

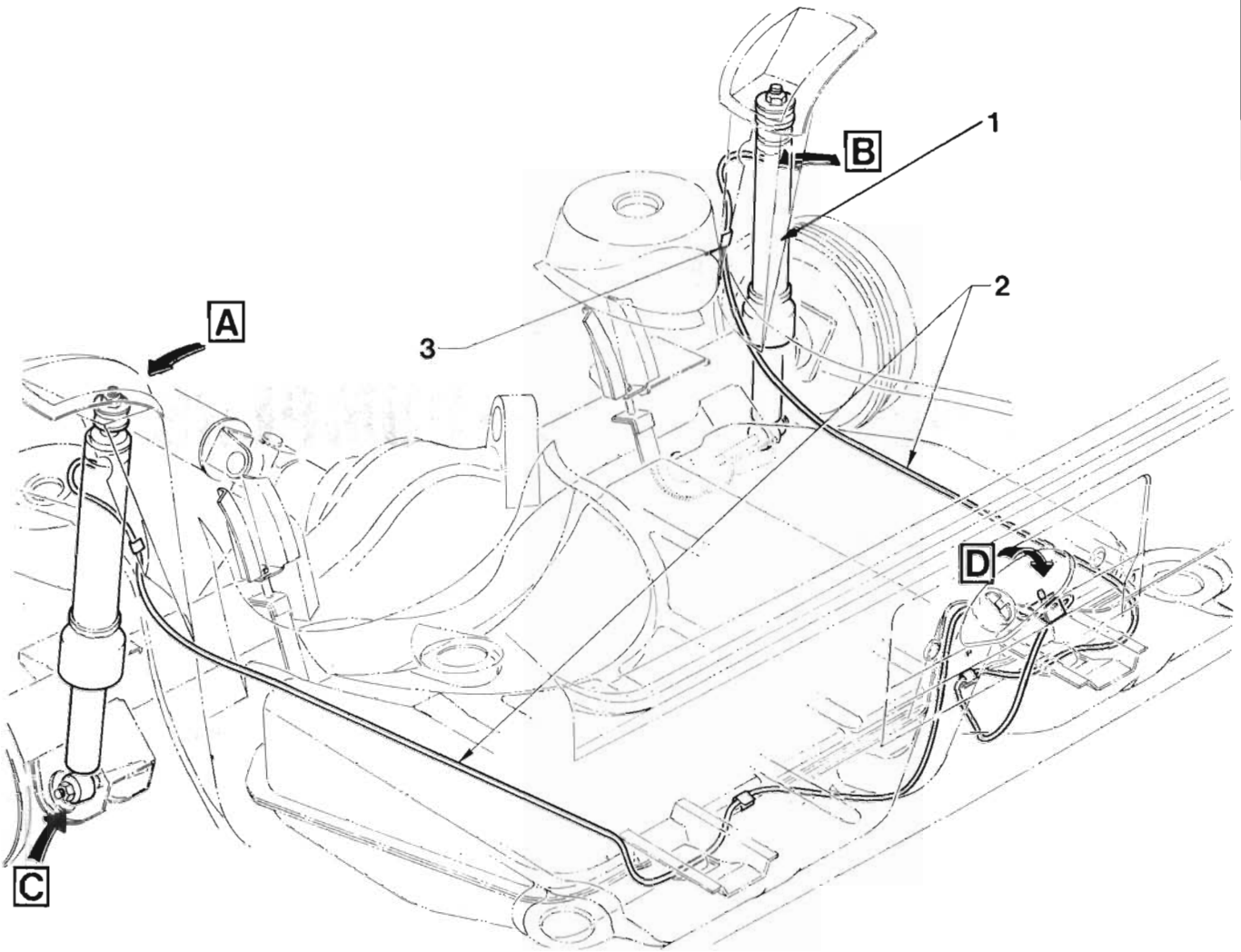
ILLUS. REF. NO.	PART NAME	GROUP
1.	COUPLING ASSEMBLY – Intermediate shaft to steering gear .....	6.524
2.	SHAFT – Intermediate .....	6.524
3.	COUPLING ASSEMBLY – Steering shaft to intermediate shaft .....	6.524
4.	KNOB – Black .....	4.009
5.	LEVER ASSEMBLY .....	4.006
6.	PIN – Lever to support .....	4.006
7.	SWITCH – Windshield wiper and dimmer .....	10.163
8.	COLUMN ASSEMBLY .....	6.508
9.	BRACKET AND CAPSULE ASSEMBLY .....	6.760



STEERING GEAR ASSEMBLY

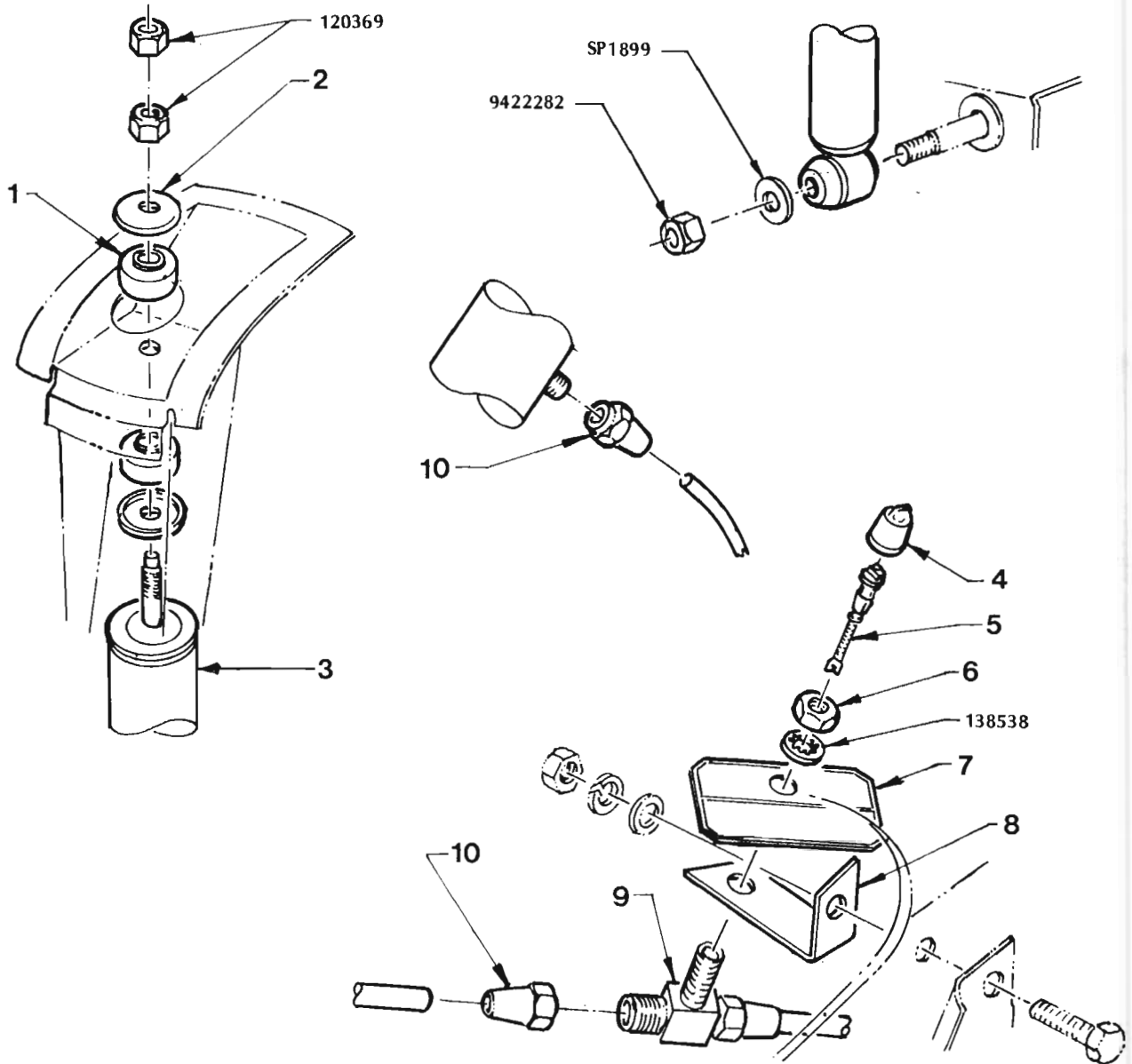
ILLUS. REF. NO.	PART NAME	GROUP
1.	HOUSING ASSEMBLY - Rack .....	6.803
2.	BOLT - 5/16" - 18 X 7/8" .....	6.807
3.	SPACER - Pinion lower .....	6.524
4.	PLATE - Pinion cover .....	6.807
5.	SHIM - Pinion cover plate .....	6.809
6.	SPRING - Yoke support cover plate .....	6.807
7.	PLATE - Yoke support cover .....	6.807
8.	YOKE - Rack support .....	6.525
9.	PINION .....	6.524
10.	SEAL - Pinion oil .....	6.809
11.	BEARING .....	6.530
12.	SPACER - Pinion upper .....	6.524
13.	BEARING ASSEMBLY .....	6.524
14.	SHIM - Pinion cover plate .....	6.809
15.	CLIP - Boot to tie rod .....	6.255
16.	BOOT - Rack .....	6.255
17.	RACK .....	6.525
18.	NUT .....	6.235
19.	SPRING .....	6.235
20.	ROD .....	6.230
21.	HOUSING .....	6.235
22.	SEAT .....	6.235
23.	DISC - Backing .....	6.235
24.	NUT - Ball socket lock .....	6.234
25.	BOOT .....	6.233
26.	SOCKET ASSEMBLY .....	6.233

**GROUP 7.000**  
**FRAME – SPRINGS – BUMPERS**



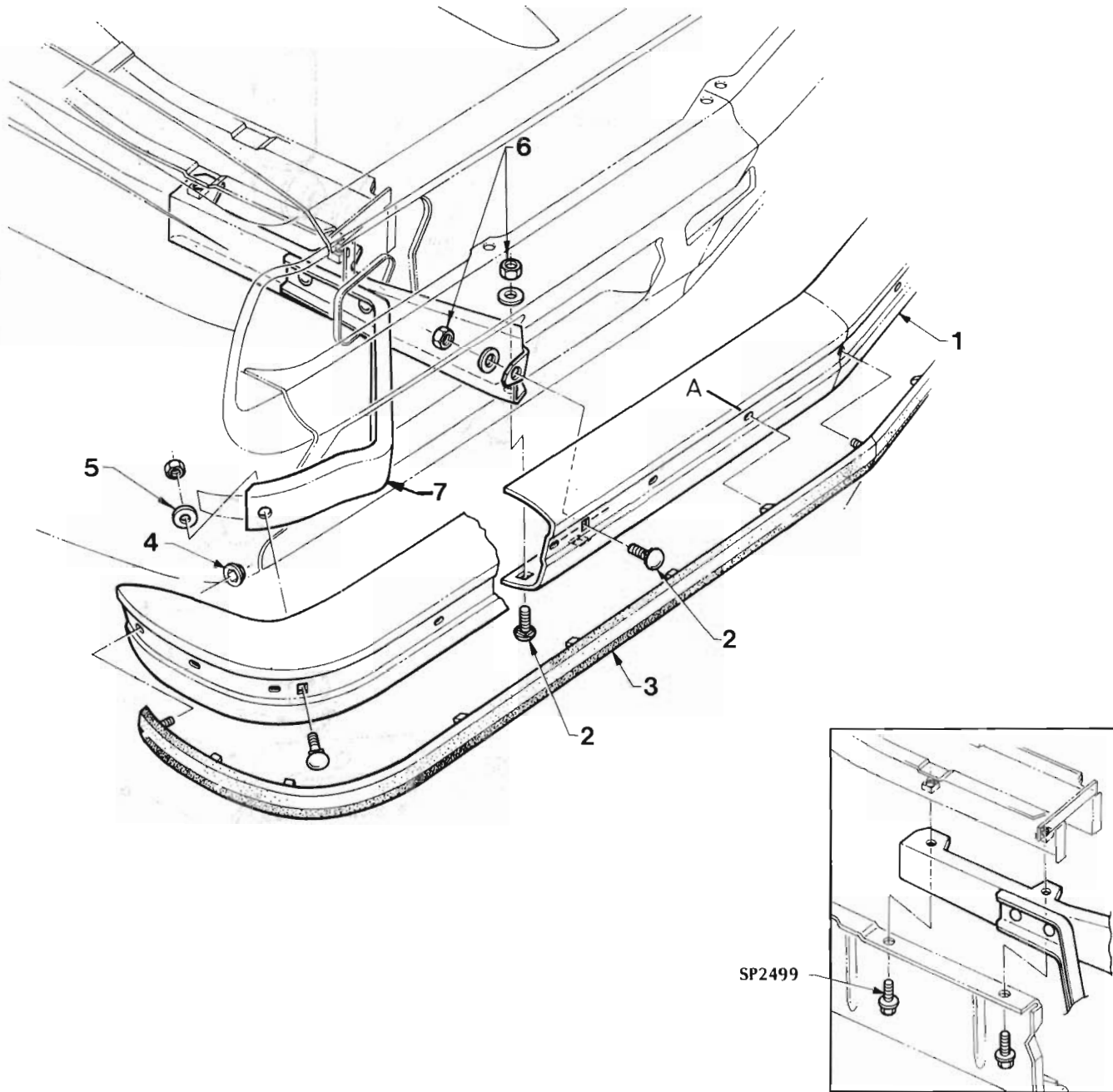
REAR SHOCK ABSORBER – SUPERLIFT

ILLUS. REF. NO.	PART NAME	GROUP
1.	SHOCK ABSORBER ASSEMBLY .....	7.345
2.	TUBE – Inflation .....	7.347
3.	CLIP – Air tube .....	7.347



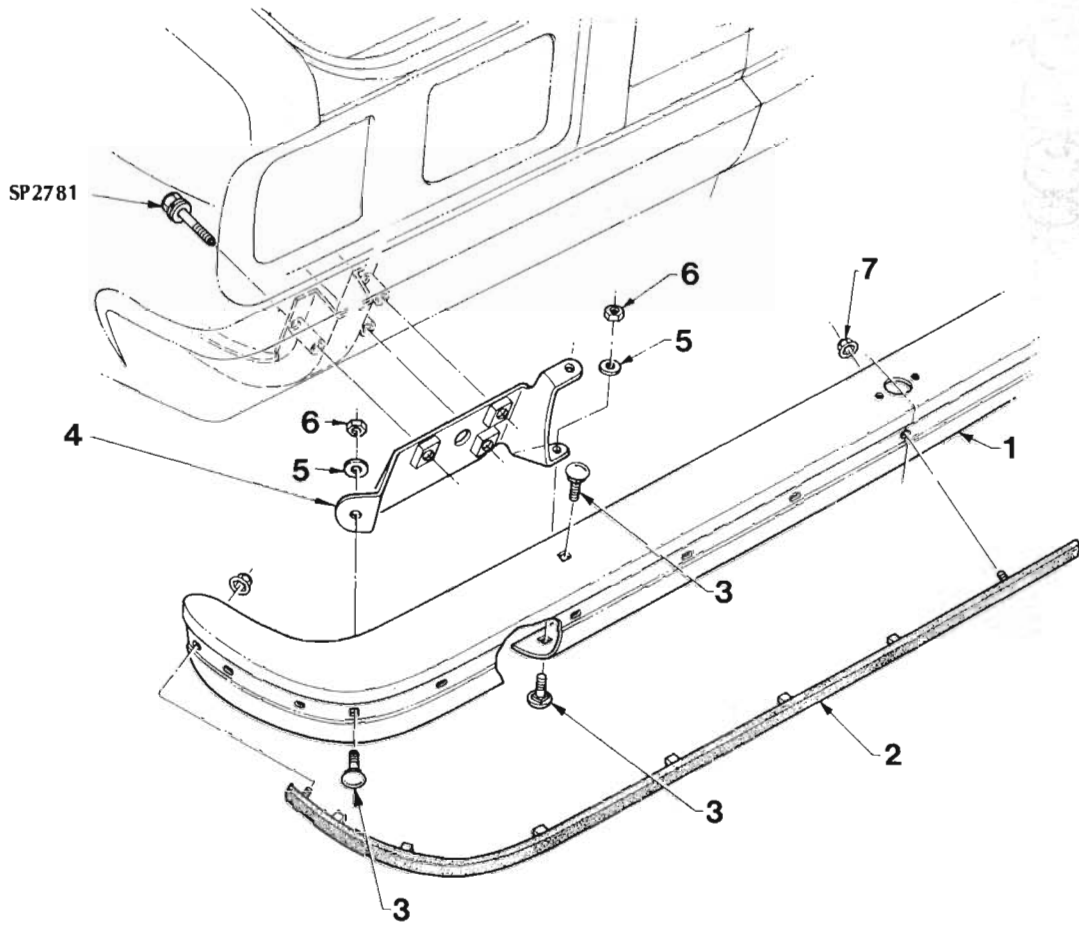
REAR SHOCK ABSORBER – SUPERLIFT

ILLUS. REF. NO.	PART NAME	GROUP
1.	BUSH – Shock absorber to mounting .....	7.370
2.	PLATE – Shock absorber to mounting .....	7.370
3.	SHOCK ABSORBER ASSEMBLY .....	7.345
4.	CAP – Air valve .....	7.347
5.	CORE ASSEMBLY – Air valve .....	7.347
6.	NUT – Air valve stem .....	7.347
7.	TAG – Caution .....	7.345
8.	BRACKET – Tee support .....	7.347
9.	BODY – Tee valve .....	7.347
10.	NUT – Flared .....	7.347



FRONT BUMPER FACE BAR

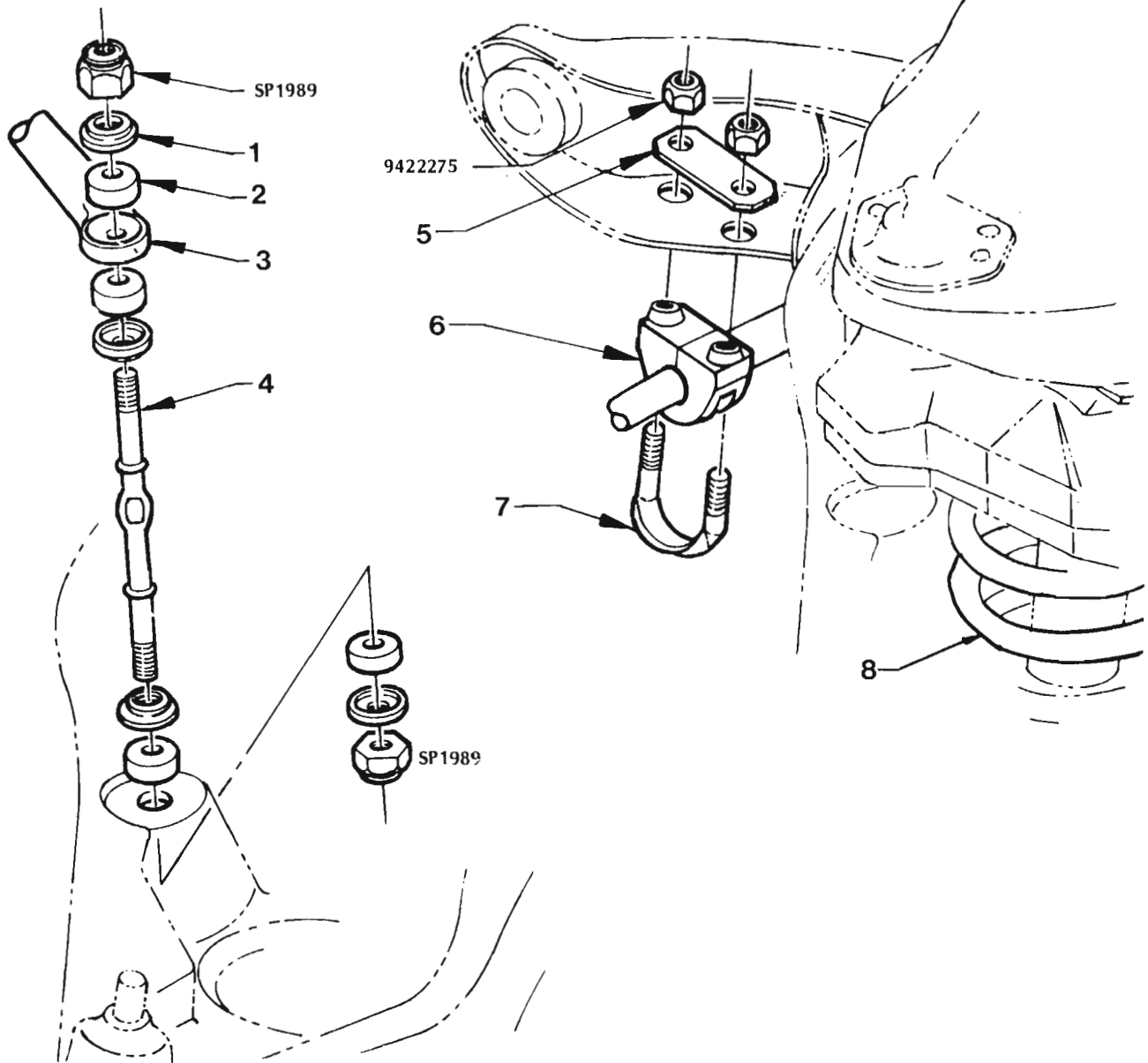
ILLUS. REF. NO.	PART NAME	GROUP
1.	BAR - Front .....	7.831
2.	BOLT - Bumper face bar .....	7.852
3.	STRIP - Rubbing .....	7.831
4.	NUT - Rubbing strip to face bar .....	7.831
5.	WASHER - Face bar to bracket .....	7.836
6.	NUT - Face bar to bracket .....	7.836
7.	BRACKET ASSEMBLY - Front .....	7.836



REAR BUMPER FACE BAR

ILLUS. REF. NO.	PART NAME	GROUP
1.	BAR - Rear .....	7.831
2.	STRIP - Rubbing .....	7.831
3.	BOLT - Bumper face bar .....	7.852
4.	BRACKET ASSEMBLY - Rear .....	7.836
5.	WASHER - Face bar to bracket .....	7.852
6.	NUT - Face bar to bracket .....	7.852
7.	NUT - Rubbing strip to face bar .....	7.831

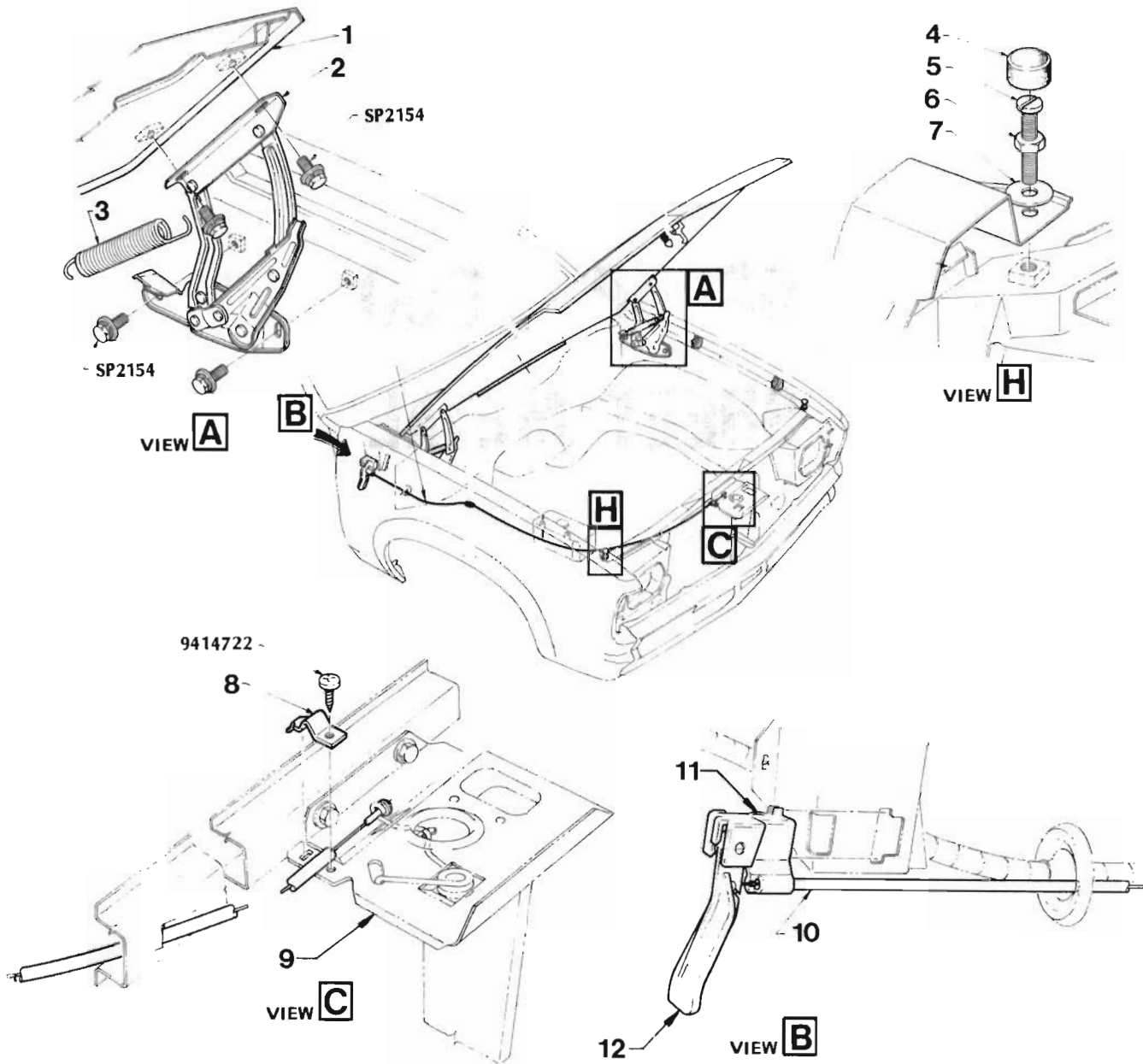




FRONT STABILIZER

ILLUS. REF. NO.	PART NAME	GROUP
1.	RETAINER .....	7.243
2.	BUSH .....	7.243
3.	SHAFT .....	7.241
4.	STUD .....	7.240
5.	PLATE .....	7.242
6.	INSULATOR .....	7.242
7.	'U' BOLT .....	7.242
8.	SPRING .....	6.361

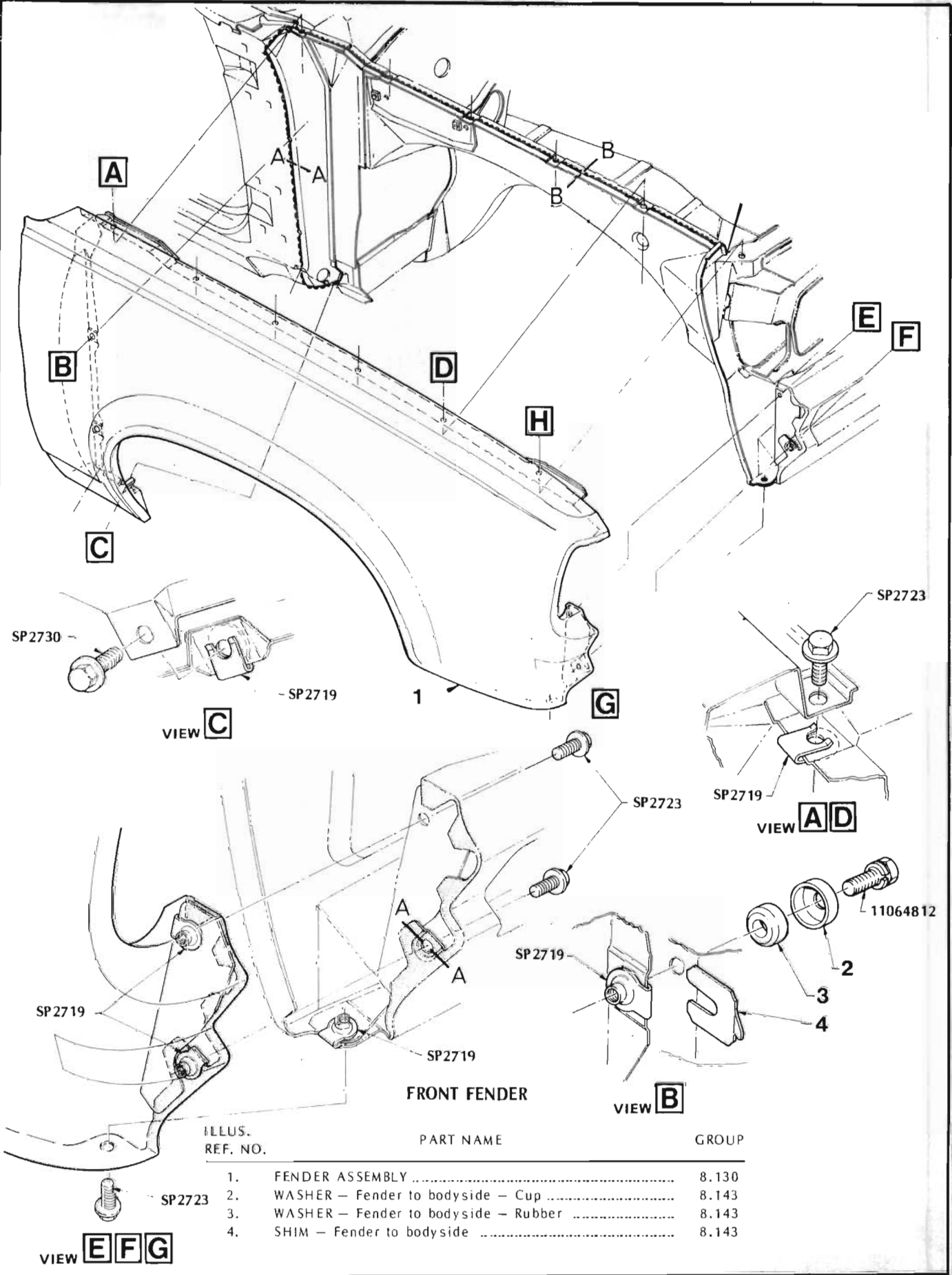
**GROUP 8.000**  
**SHEET METAL**



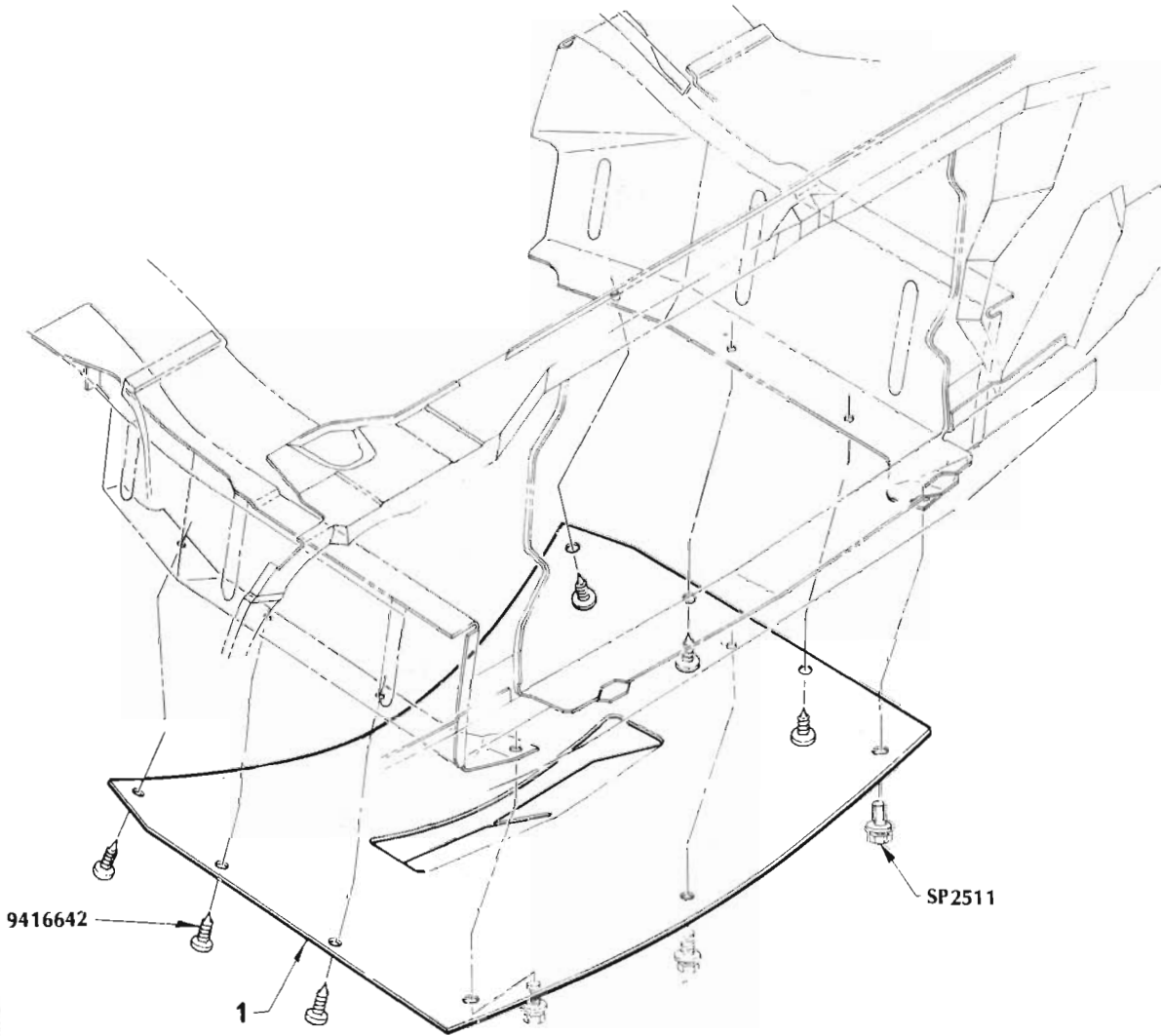
ENGINE HOOD – LOCK AND SUPPORT

ILLUS. REF. NO.	PART NAME	GROUP
1.	PANEL ASSEMBLY .....	8.000
2.	HINGE ASSEMBLY .....	8.015
3.	SPRING .....	8.013
4.	BUMPER – Hood to radiator panel .....	8.024
5.	BOLT – Bumper to radiator panel and front fender .....	8.024
6.	NUT – Bumper to radiator panel and front fender .....	8.024
7.	WASHER – Bumper to radiator panel and front fender ....	8.024
8.	CLIP – Cable to mounting bracket .....	8.075
9.	LOCK & SUPPORT ASSEMBLY .....	8.079
10.	CABLE, PIVOT & LEVER ASSEMBLY .....	8.075
11.	CABLE & PIVOT ASSEMBLY .....	8.075
12.	LEVER .....	8.075

**"UC" TORANA/HOLDEN SUNBIRD PARTS CATALOGUE**

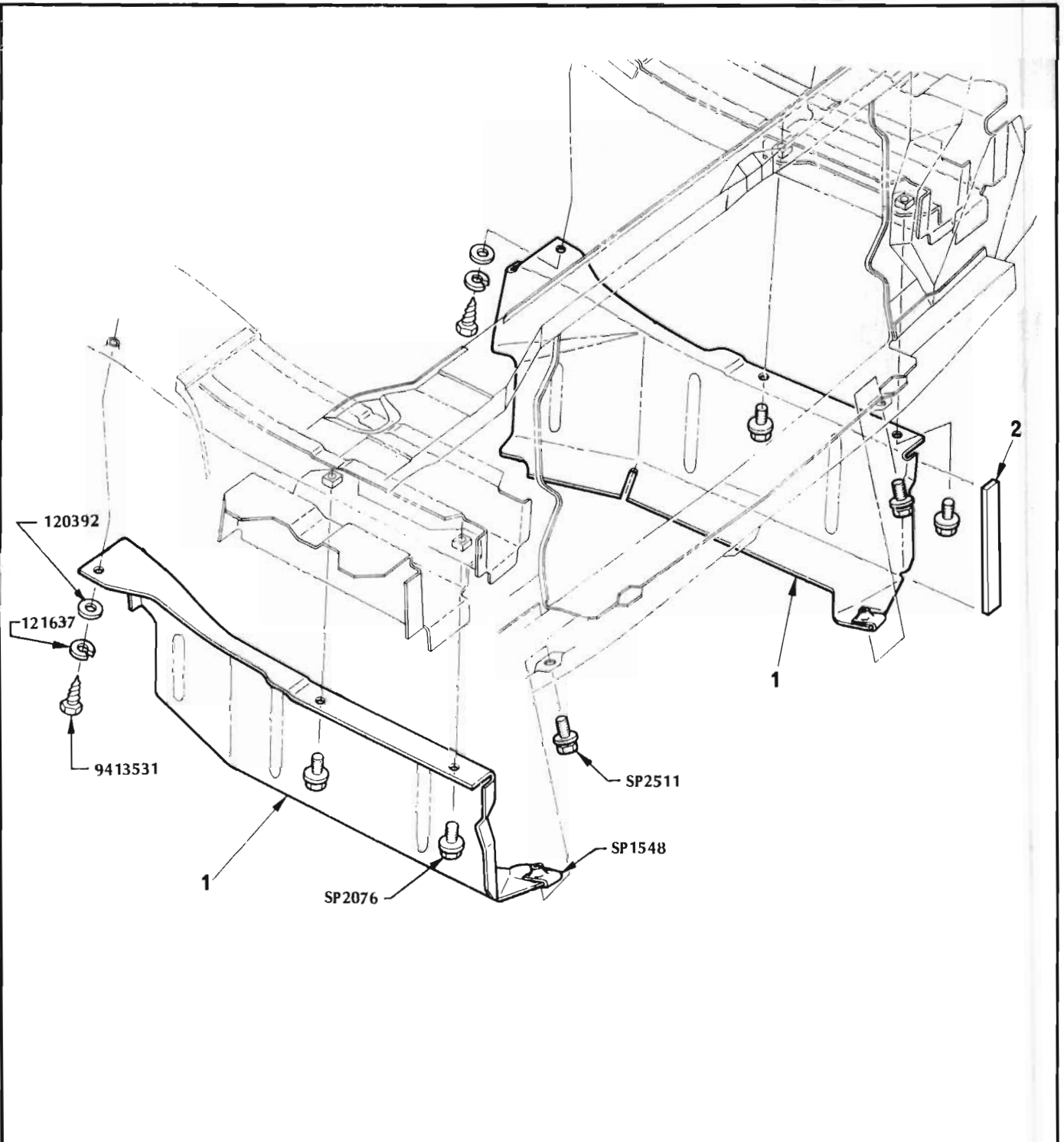


ILLUS. REF. NO.	PART NAME	GROUP
1.	FENDER ASSEMBLY .....	8.130
2.	WASHER - Fender to bodyside - Cup .....	8.143
3.	WASHER - Fender to bodyside - Rubber .....	8.143
4.	SHIM - Fender to bodyside .....	8.143



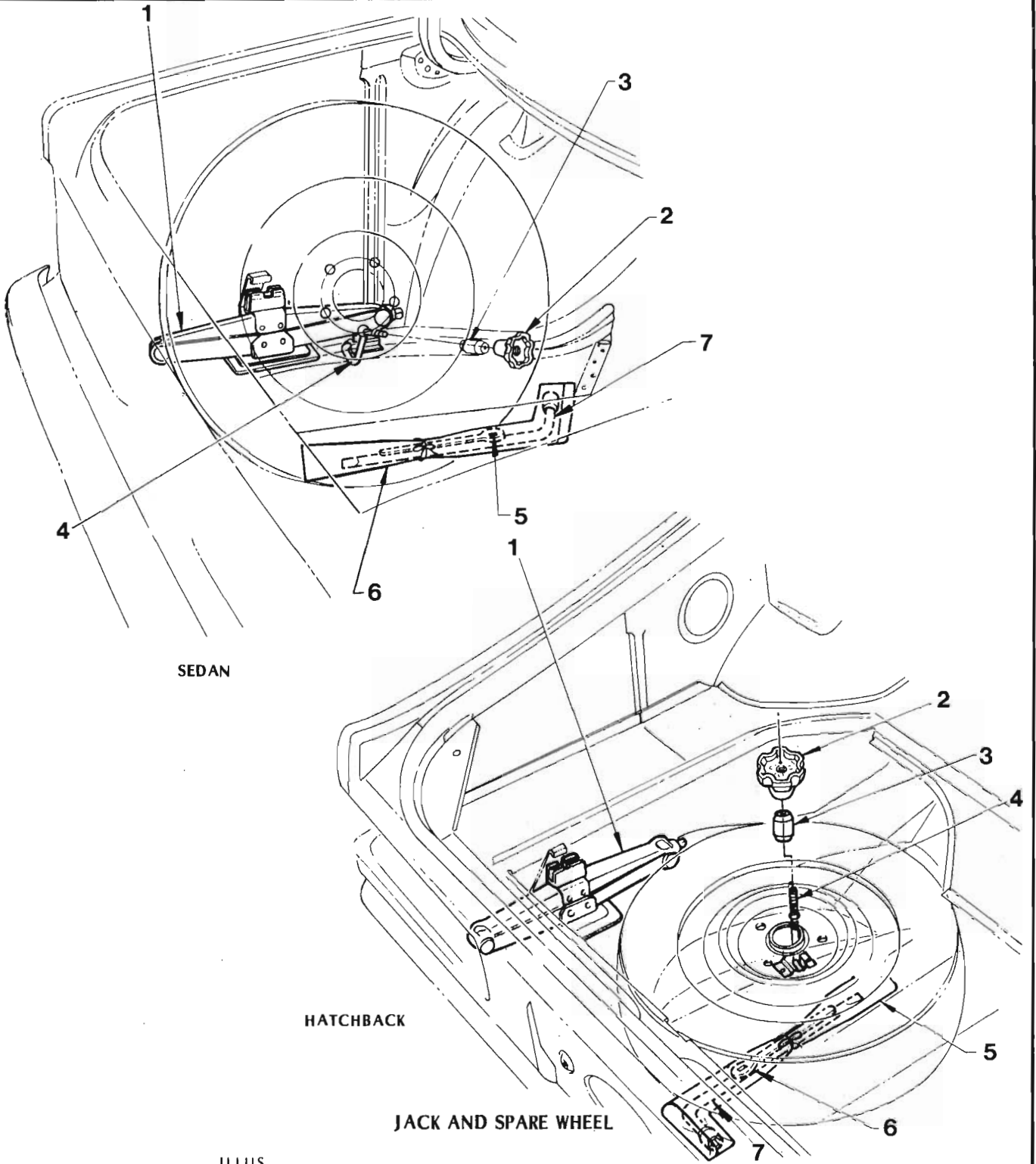
CENTRE SPLASH GUARD

ILLUS. REF. NO.	PART NAME	GROUP
1.	GUARD - Centre .....	8.112



SIDE SPLASH GUARD

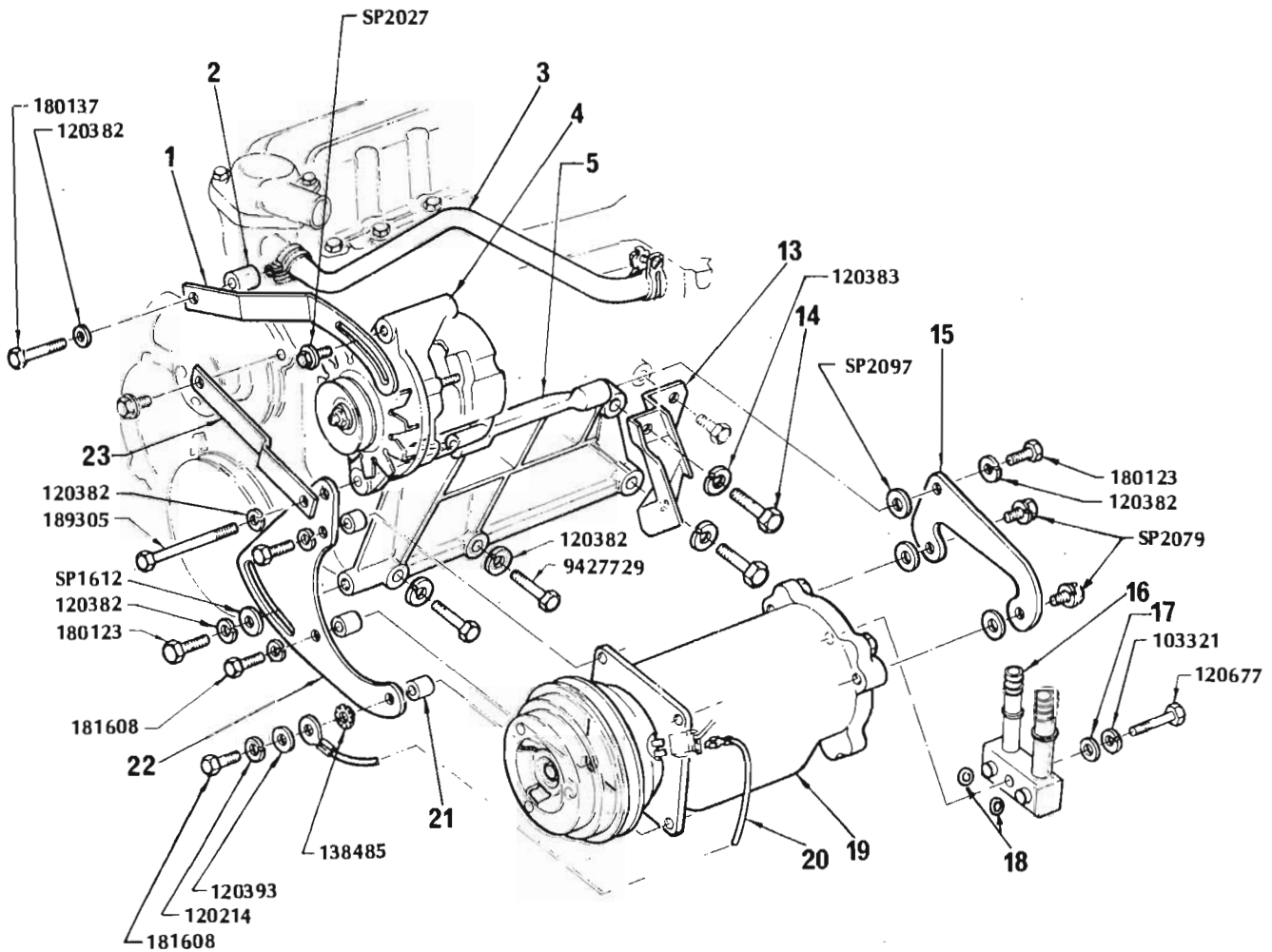
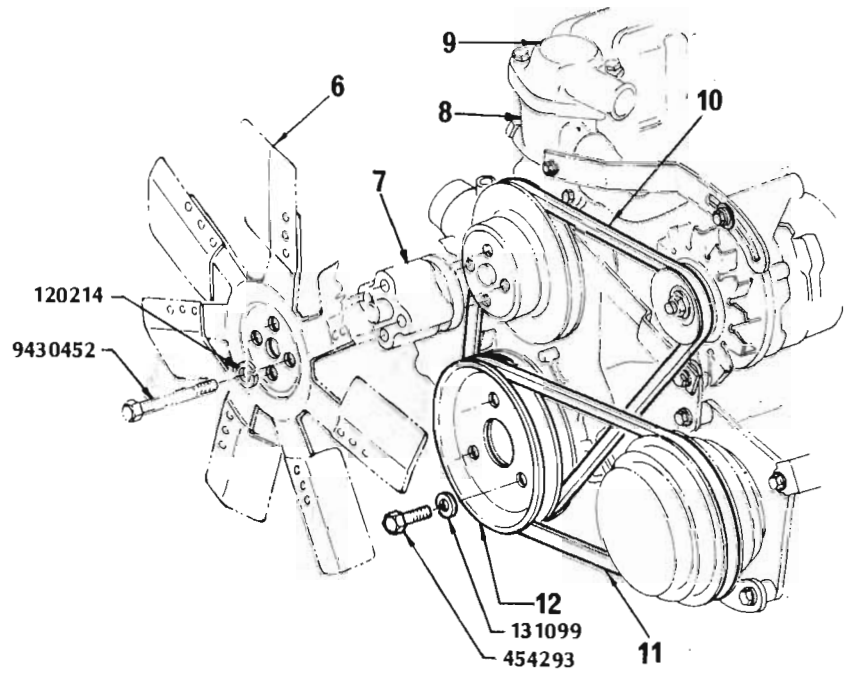
ILLUS. REF. NO.	PART NAME	GROUP	ILLUS. REF. NO.	PART NAME	GROUP
1.	GUARD - Side .....	8.112	2.	SEAL - Splash guard side .....	8.112



ILLUS. REF. NO.	PART NAME	GROUP
1.	JACK ASSEMBLY .....	8.820
2.	NUT .....	7.633
3.	SPACER .....	7.633
4.	BOLT .....	7.632
5.	BAG - Tool storage .....	8.821
6.	JACK HANDLE .....	8.820
7.	WRENCH .....	8.821

**GROUP 9.000**  
**ACCESSORIES**  
**AIR CONDITIONER — HEATER**



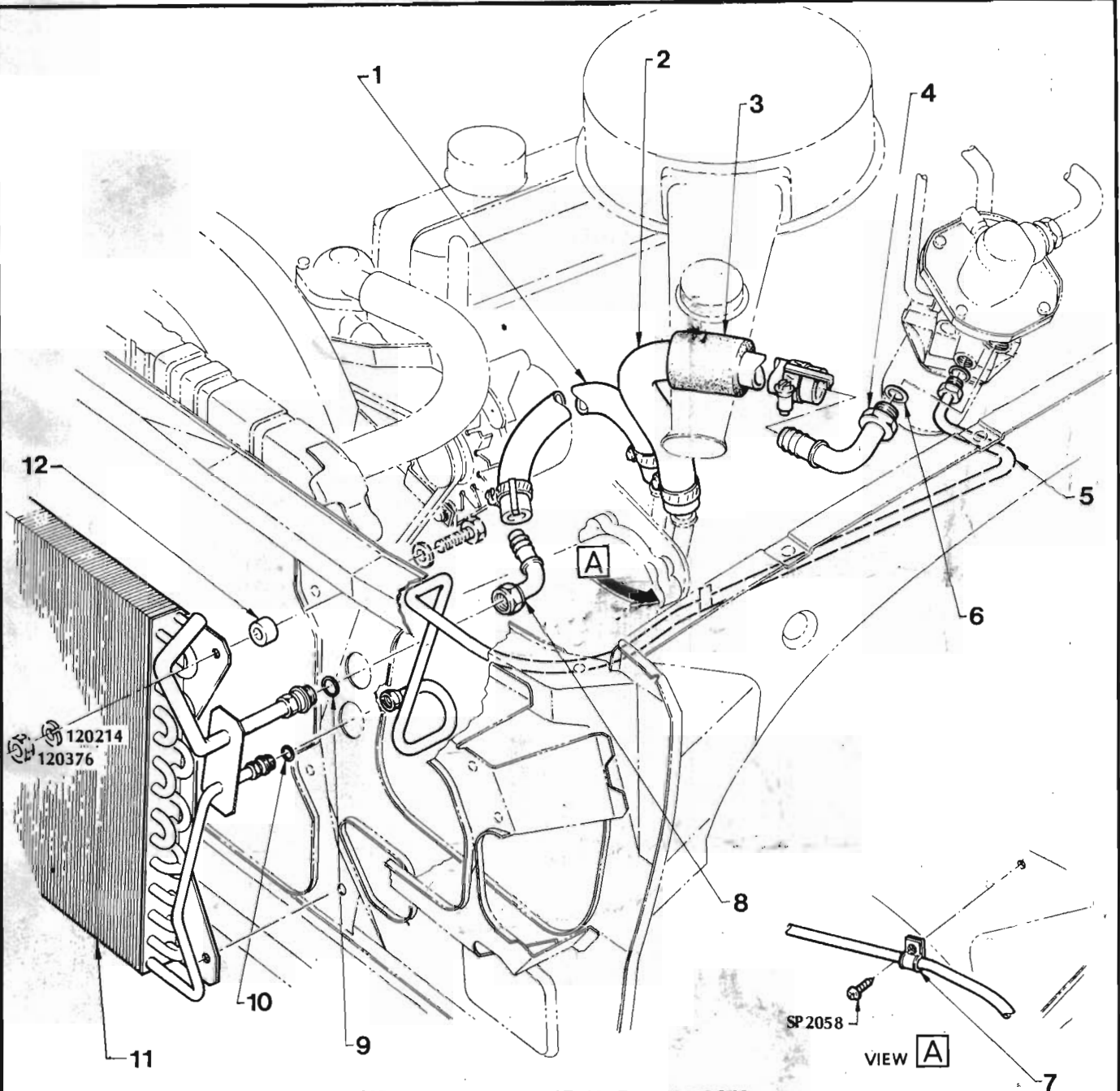


**AIR CONDITIONING COMPRESSOR**

**6 CYLINDER ENGINE**

**ILLUSTRATION OPPOSITE**

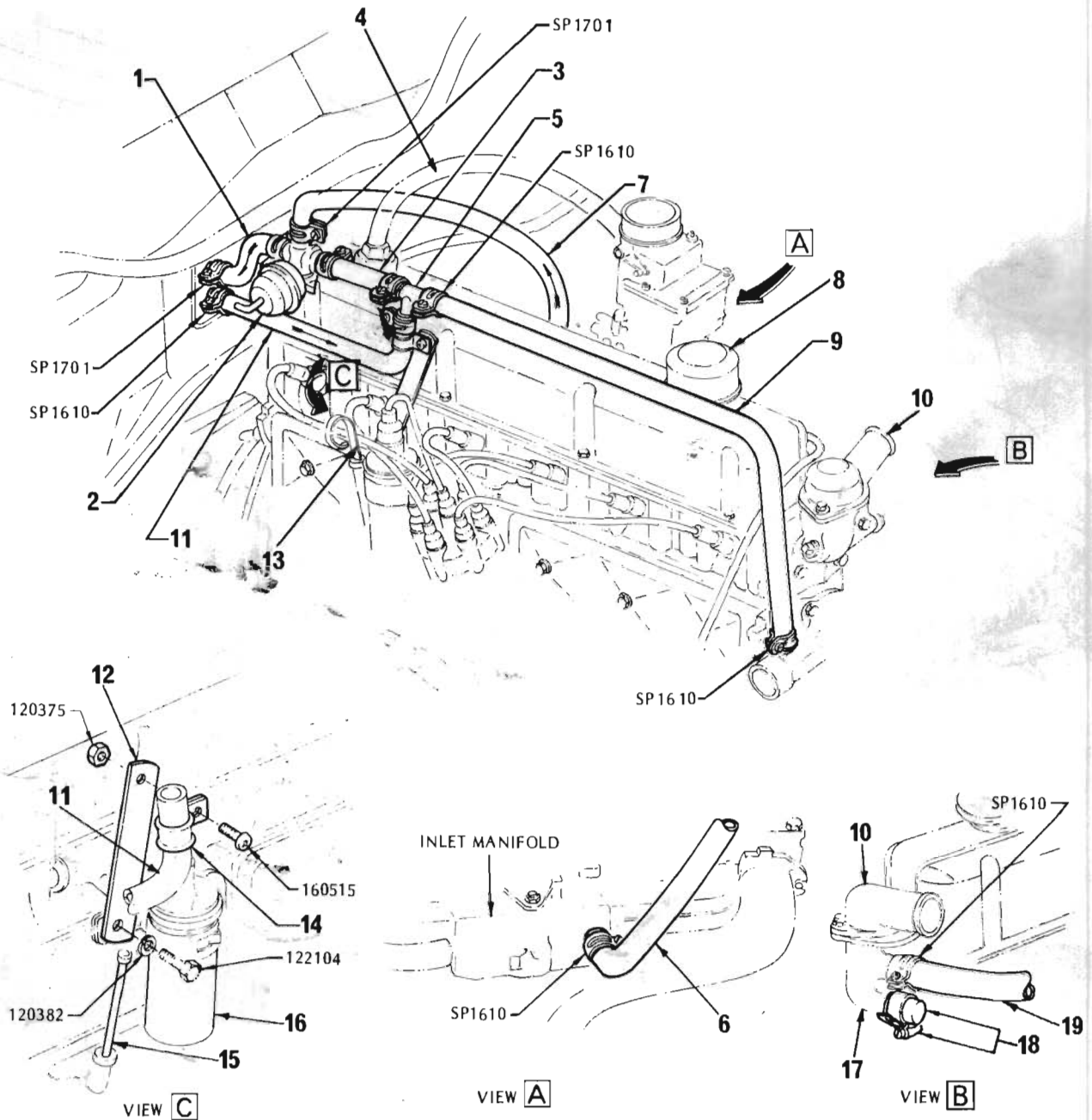
ILLUS. REF. NO.	PART NAME	GROUP
1.	BRACE - Alternator .....	2.317
2.	SPACER - Brace to thermo housing .....	2.317
3.	HOSE - Inlet manifold water .....	3.260
4.	ALTERNATOR ASSEMBLY .....	2.275
5.	SUPPORT - Compressor .....	9.171
6.	BLADE ASSEMBLY - Fan .....	1.064
7.	SPACER - Fan blade .....	1.064
8.	HOUSING - Thermostat .....	1.251
9.	OUTLET - Cylinder head water .....	1.153
10.	BELT - Fan and alternator .....	1.066
11.	BELT - Compressor .....	1.066
12.	PULLEY - Crankshaft .....	0.659
13.	BRACKET ASSEMBLY - Front .....	0.027
14.	BOLT - Bracket to engine .....	9.171
15.	BRACKET - Compressor rest .....	9.171
16.	FITTING ASSEMBLY .....	9.170
17.	WASHER - Fitting to compressor .....	9.170
18.	'O' RING - Fitting to compressor .....	9.170
19.	COMPRESSOR ASSEMBLY .....	9.170
20.	LEAD ASSEMBLY - Earth .....	9.170
21.	SPACER - Front bracket .....	9.171
22.	BRACKET - Compressor front .....	9.171
23.	BRACE - Front .....	9.171



AIR CONDITIONING REFRIGERANT HOSES

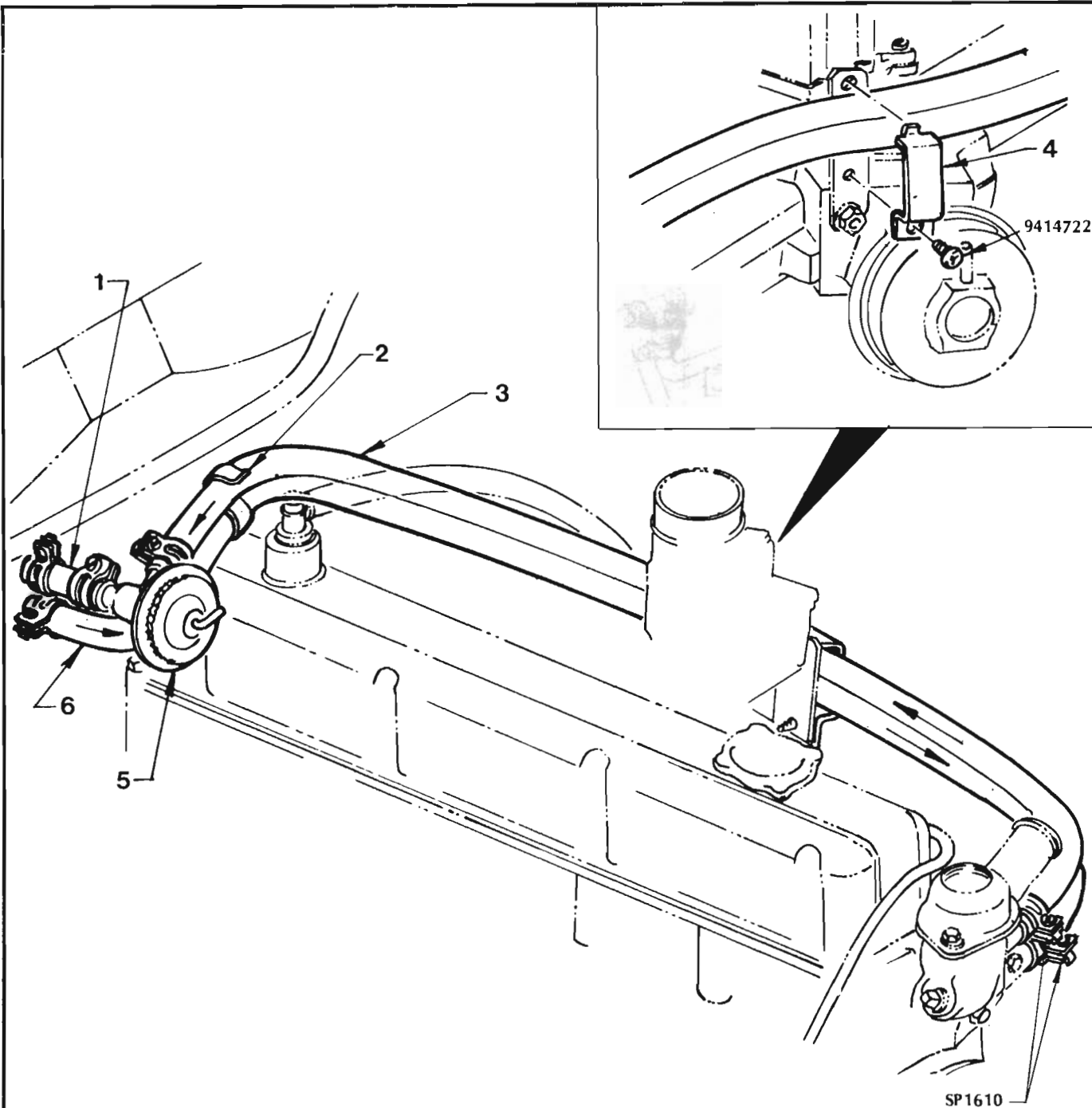
ILLUS. REF. NO.	PART NAME	GROUP
1.	HOSE - Compressor outlet to condenser inlet .....	9.220
2.	HOSE - V.I.R. to compressor inlet .....	9.220
3.	SLEEVE - V.I.R. to compressor hose .....	9.220
4.	TUBE ASSEMBLY - V.I.R. to compressor .....	9.220
5.	TUBE ASSEMBLY - Condenser outlet to V.I.R. ....	9.220
6.	GASKET - Evaporator core outlet to V.I.R. ....	9.220
7.	CLIP - Condenser outlet tube to fender skirt .....	9.220
8.	TUBE ASSEMBLY - Condenser inlet .....	9.220
9.	GASKET - Condenser inlet tube - "O" ring .....	9.220
10.	GASKET - Condenser outlet tube - "O" ring .....	9.220
11.	CONDENSER ASSEMBLY .....	9.190
12.	SPACER - Condenser to radiator support .....	9.190

**"UC" TORANA/HOLDEN SUNBIRD PARTS CATALOGUE**



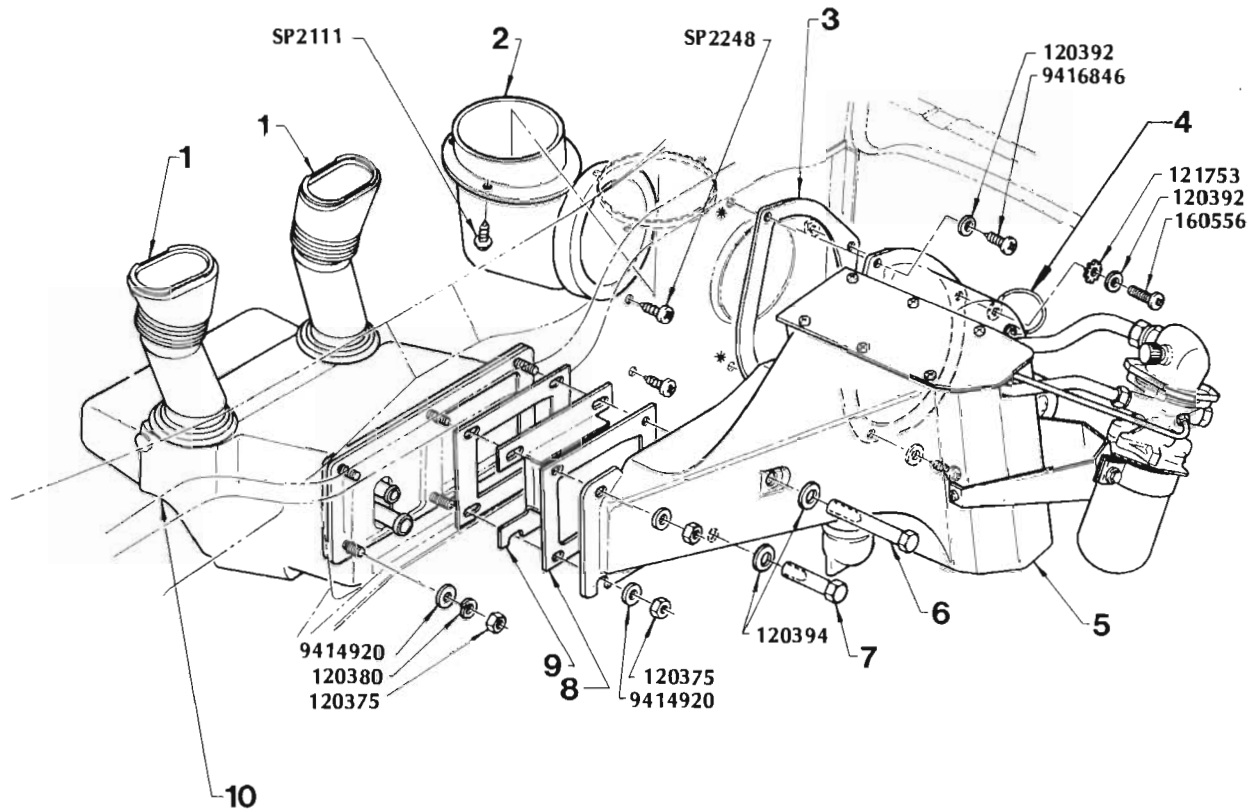
**AIR CONDITIONING HEATER HOSES  
WITHOUT EXHAUST EMISSION CONTROL  
6 CYLINDER ENGINE**

ILLUS. REF. NO.	PART NAME	GROUP	ILLUS. REF. NO.	PART NAME	GROUP
1.	HOSE - Water valve to heater .....	9.220	11.	HOSE - Heater to tee .....	9.220
2.	VALVE - Heater water .....	9.275	12.	BRACKET - Hose support .....	9.220
3.	HOSE - Water valve to tee .....	9.220	13.	INDICATOR - Oil level .....	1.516
4.	HOSE - Crankcase ventilator .....	1.762	14.	CLIP - Hose support bracket .....	9.220
5.	TEE - Water hose connector .....	9.220	15.	TUBE - Oil level indicator .....	1.516
6.	HOSE - Manifold to water valve .....	9.220	16.	COIL - Ignition .....	2.170
7.	CARBURETTOR ASSEMBLY .....	3.725	17.	HOUSING - Thermostat .....	1.251
8.	CAP - Oil filler .....	1.758	18.	SEAL KIT - Heater hose connection .....	1.251
9.	HOSE - Tee to water pump .....	9.220	19.	HOSE - Inlet manifold water .....	3.260
10.	OUTLET - Cylinder head water .....	1.153			



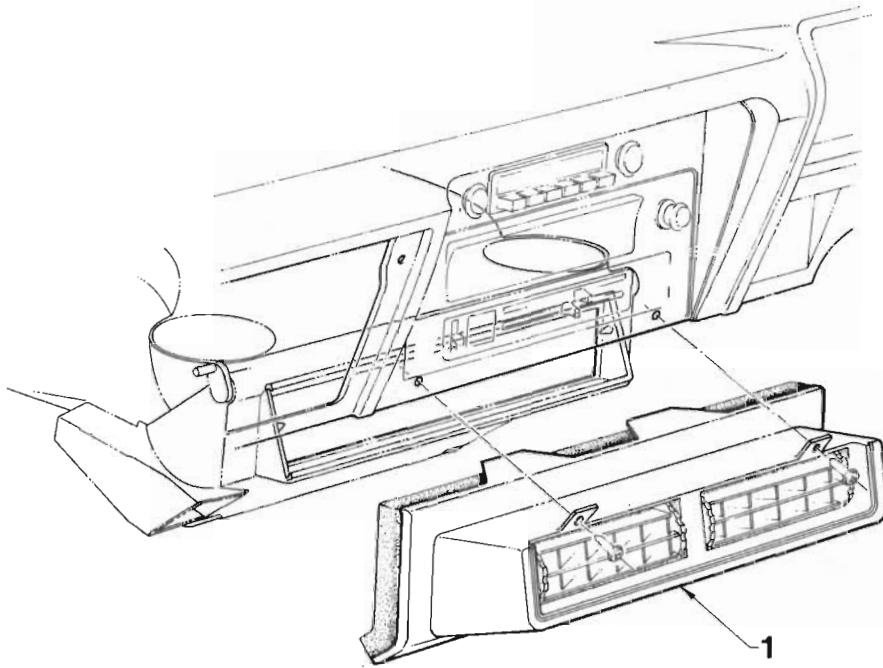
**AIR CONDITIONER HEATER HOSES  
WITH EVAPORATIVE AND EXHAUST EMISSION CONTROL  
6 CYLINDER ENGINE**

ILLUS. REF. NO.	PART NAME	GROUP
1.	HOSE – Water valve to heater inlet .....	9.220
2.	CLIP – Inlet to outlet hose .....	9.220
3.	HOSE – Thermostal housing to water valve .....	9.220
4.	CLAMP – Hoses to support bracket .....	9.220
5.	VALVE ASSEMBLY – Heater water .....	9.275
6.	HOSE – Heater outlet to thermostal housing .....	9.220



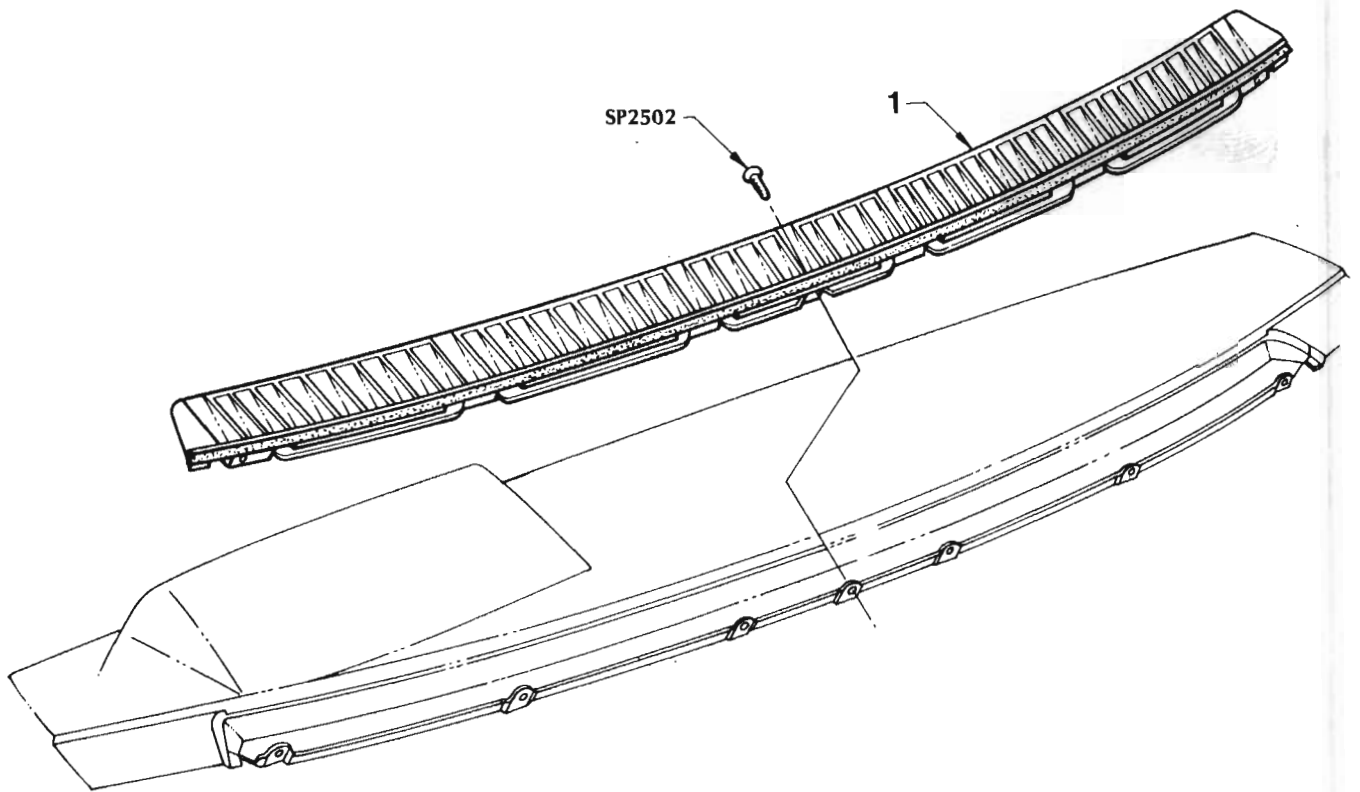
AIR CONDITIONING HOUSING AND DUCT

ILLUS. REF. NO.	PART NAME	GROUP
1.	TUBE - Heater to duct .....	9.262
2.	INLET ASSEMBLY .....	9.211
3.	GASKET - Housing to air intake .....	9.169
4.	LEAD - Motor earth .....	9.169
5.	HOUSING - Evaporator and blower .....	9.169
6.	BOLT - Housing to heater case - 4.58" long .....	9.169
7.	BOLT - Housing to heater case - 1.42" long .....	9.169
8.	GASKET - Housing to dash panel .....	9.169
9.	DEFLECTOR - Housing .....	9.169
10.	CASE & CORE ASSEMBLY .....	9.217



**HOUSING – VENT OUTLET**

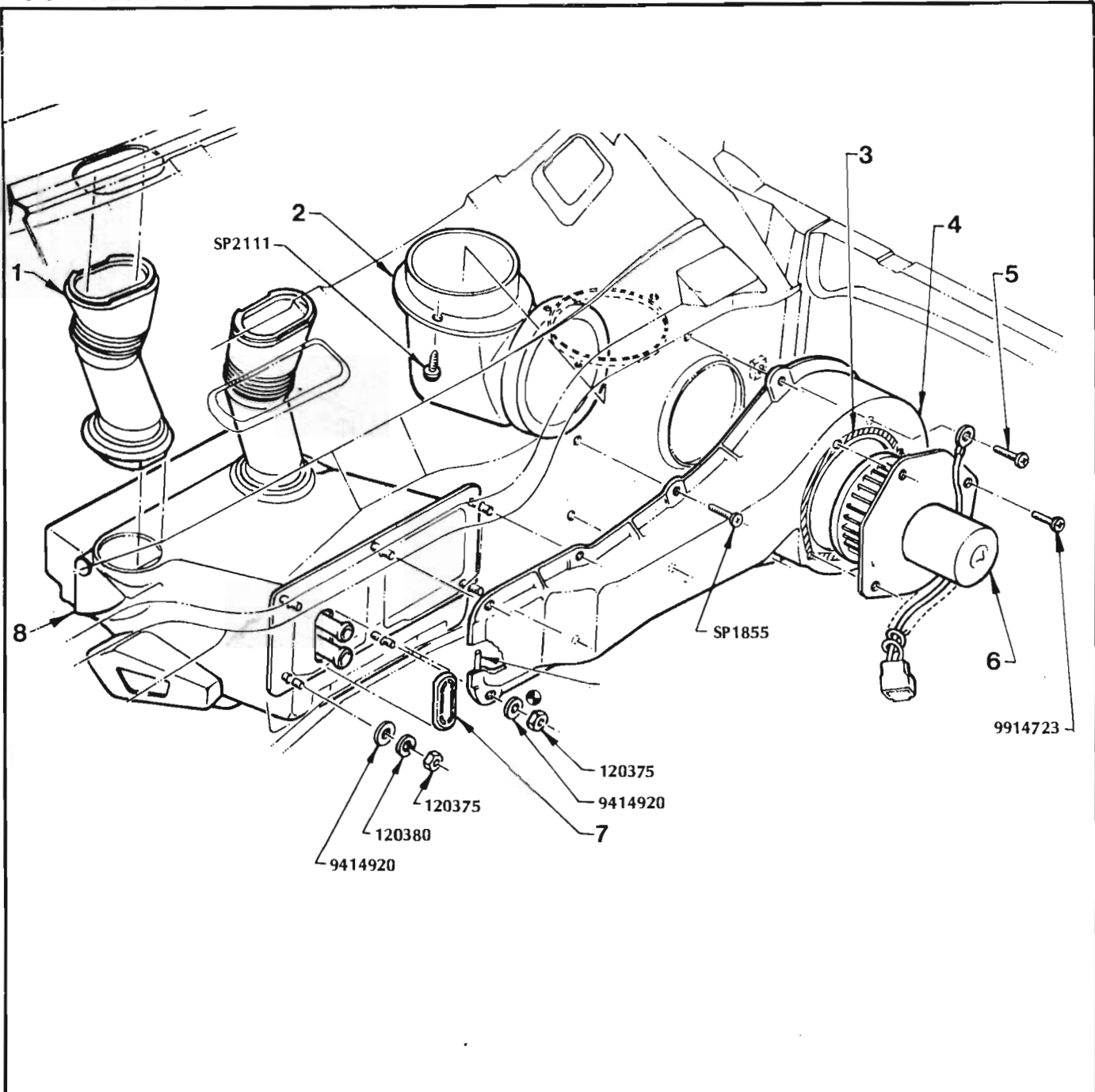
ILLUS. REF. NO.	PART NAME	GROUP
1.	HOUSING ASSEMBLY – Centre outlet .....	9.262/9.779



DEMISTER DUCT

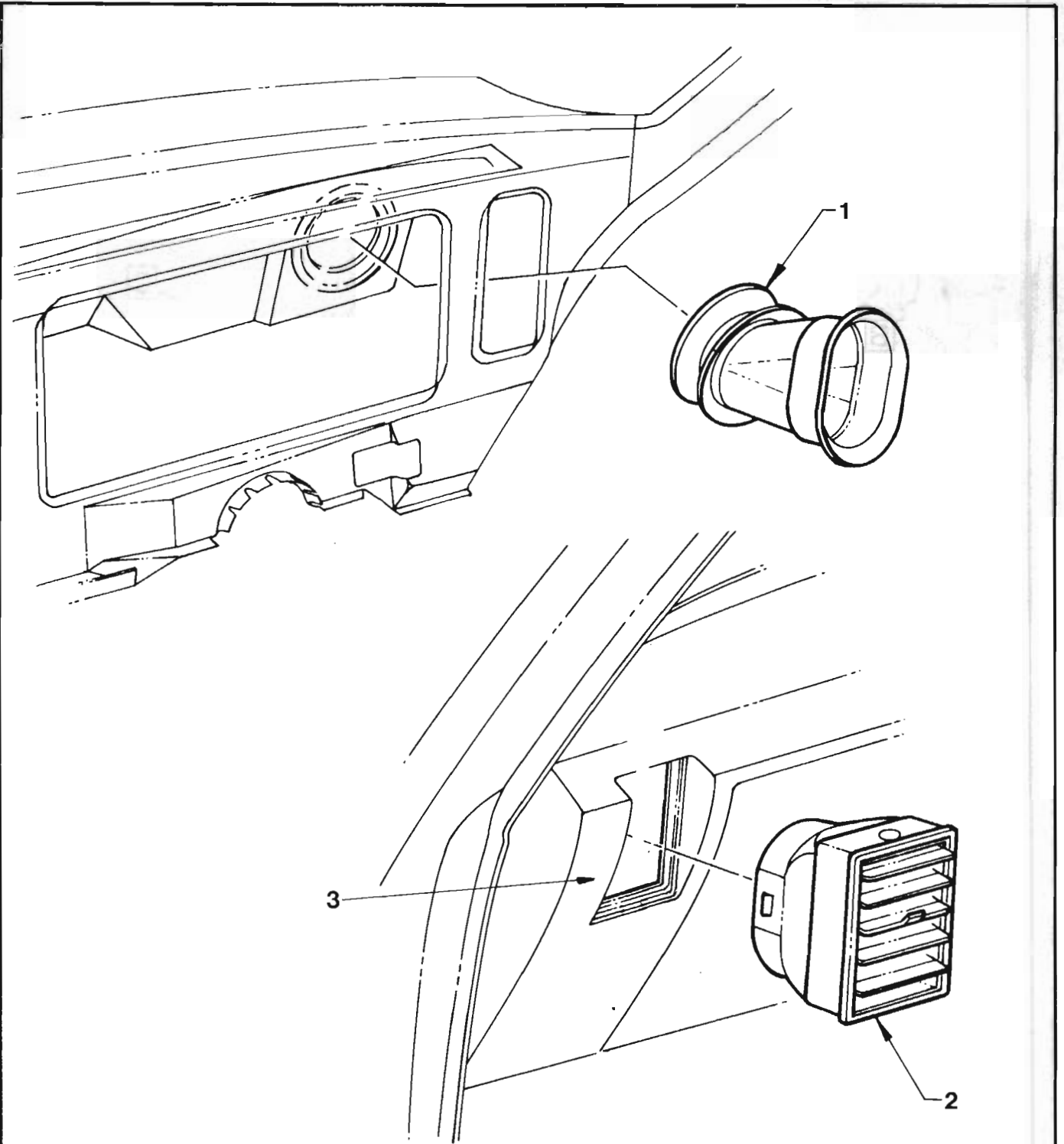
ILLUS. REF. NO.	PART NAME	GROUP
1.	DUCT - Demist .....	9.779





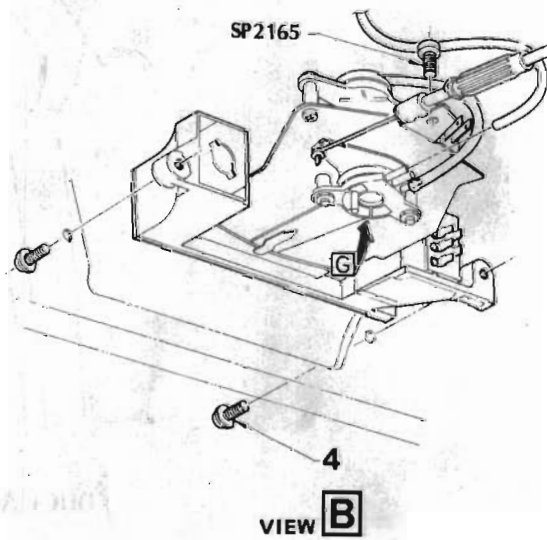
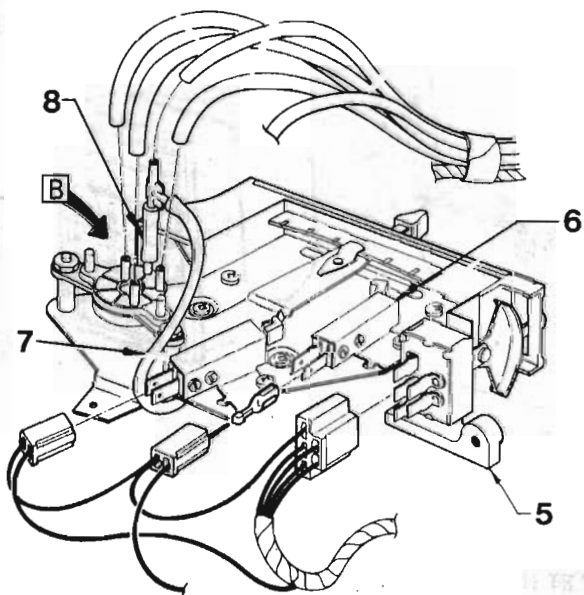
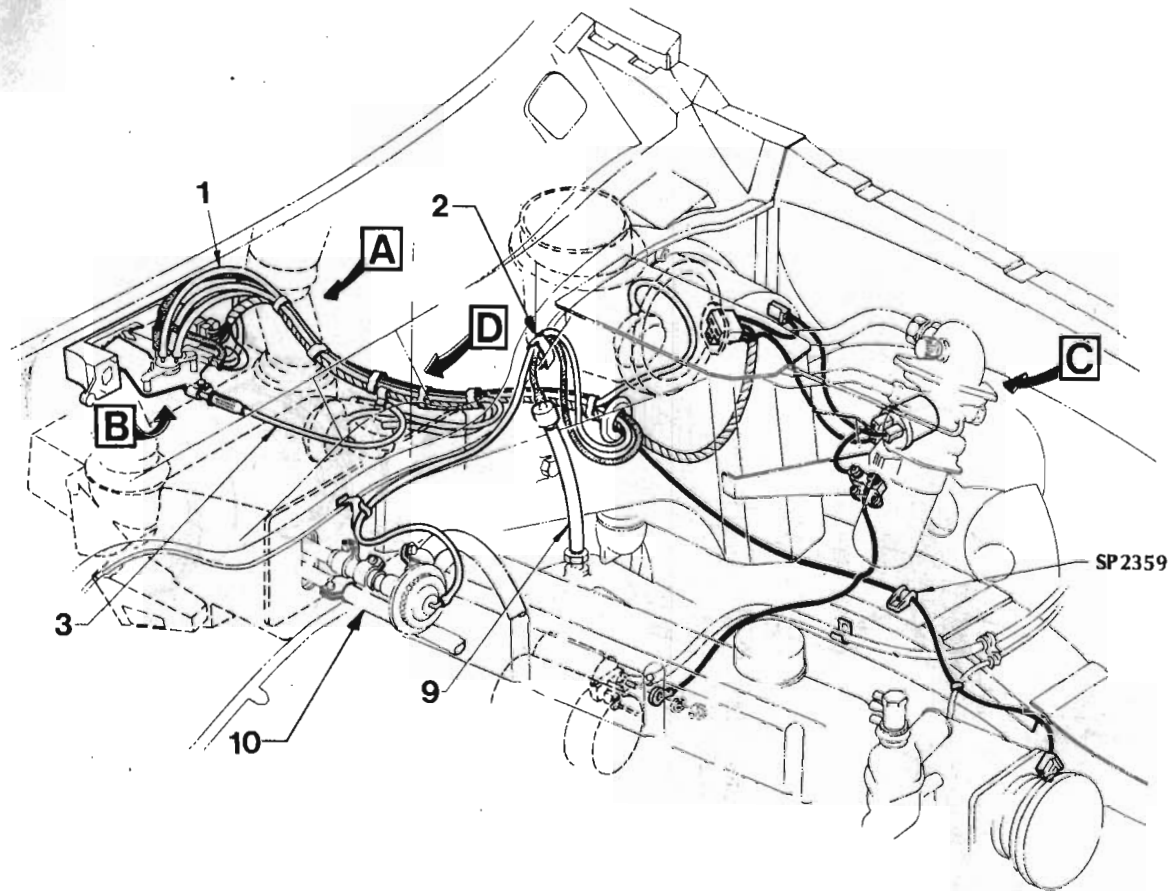
**HEATER AND DEMISTER**

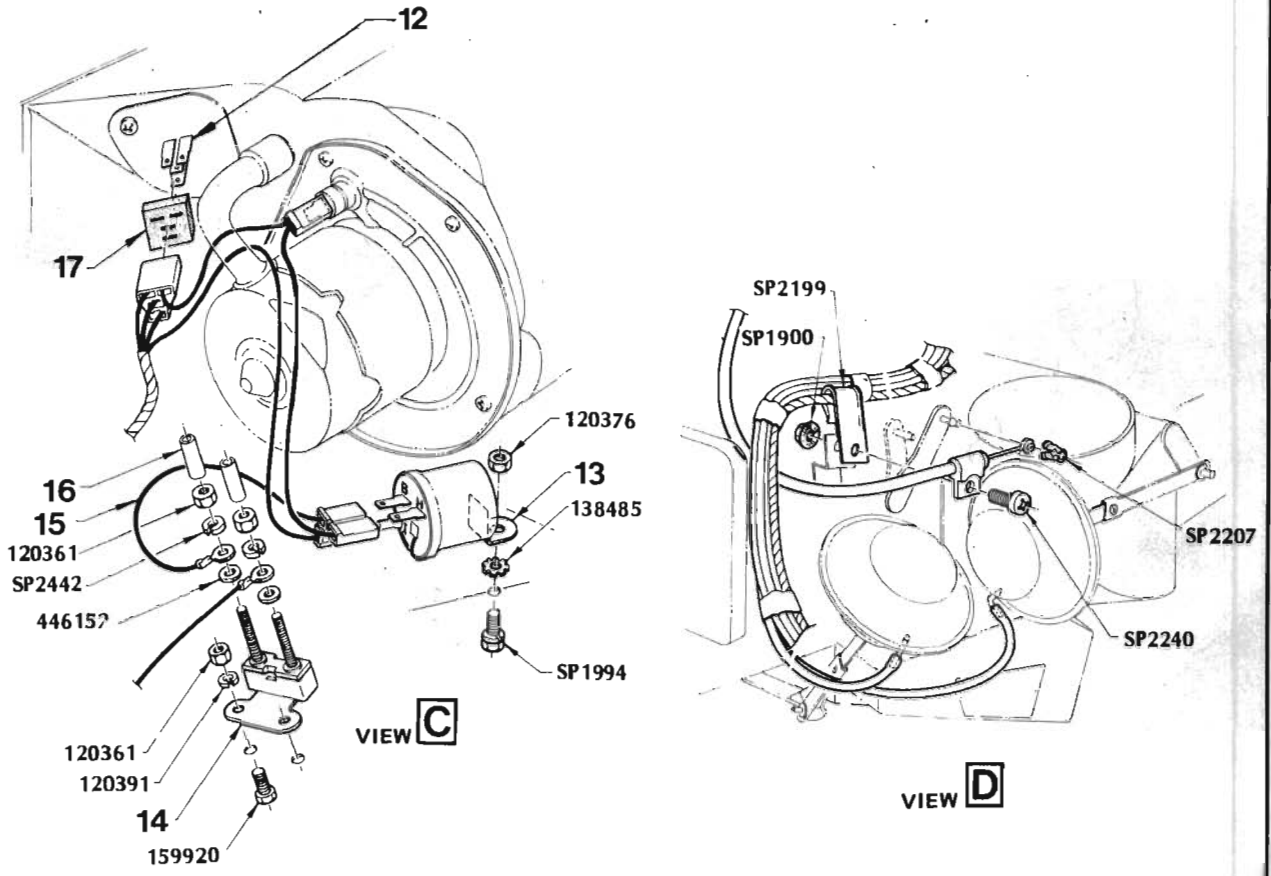
ILLUS. REF. NO.	PART NAME	GROUP
1.	TUBE - Heater to demister duct .....	9.779
2.	INLET ASSEMBLY - Air .....	9.779
3.	SEAL - Motor and impellor to air duct .....	9.779
4.	HOUSING - Blower air duct .....	9.779
5.	SCREW - Earth lead and housing to dash panel .....	9.779
6.	MOTOR ASSEMBLY .....	9.779
7.	PLUG - Dash panel .....	9.785
8.	CASE ASSEMBLY .....	9.779



DUCT AND OUTLET HEATER

ILLUS. REF. NO.	PART NAME	GROUP
1.	DUCT ASSEMBLY .....	9.779
2.	OUTLET - Upper level vent .....	9.779
3.	PAD ASSEMBLY - Dash panel .....	14.655

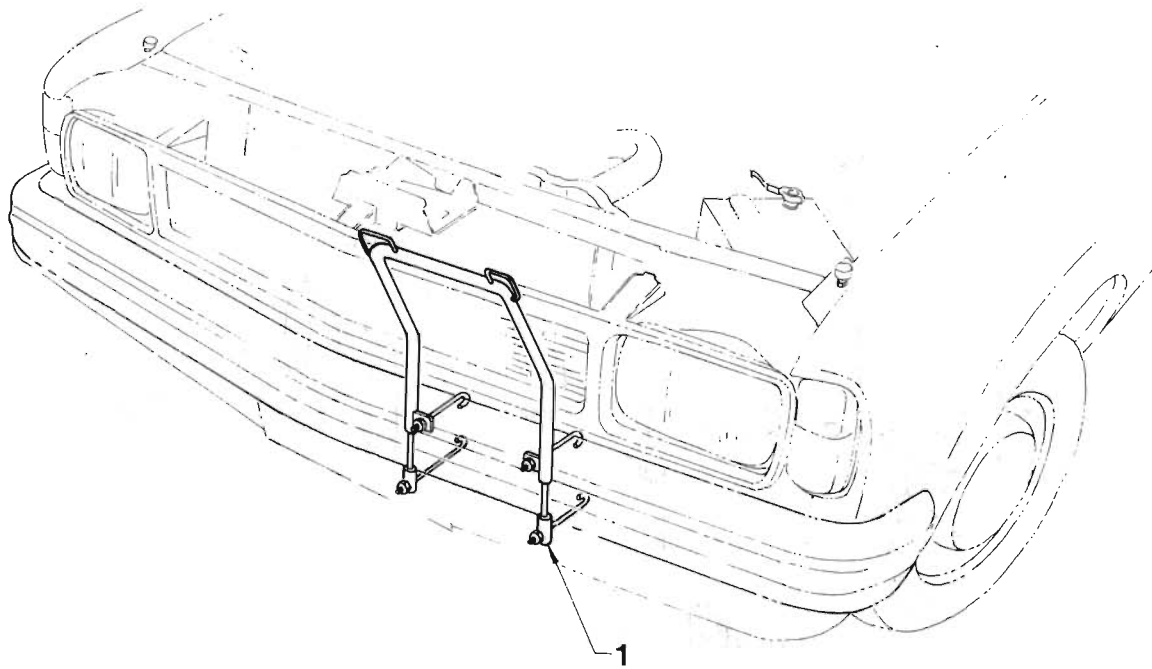




**AIR CONDITIONING CONTROLS**  
6 CYLINDER ENGINE

ILLUSTRATION ABOVE & OPPOSITE

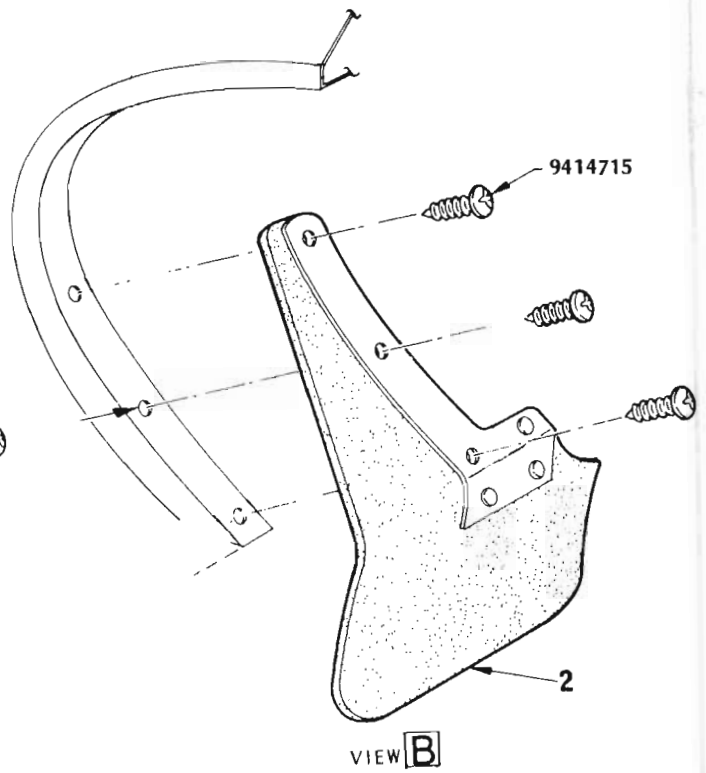
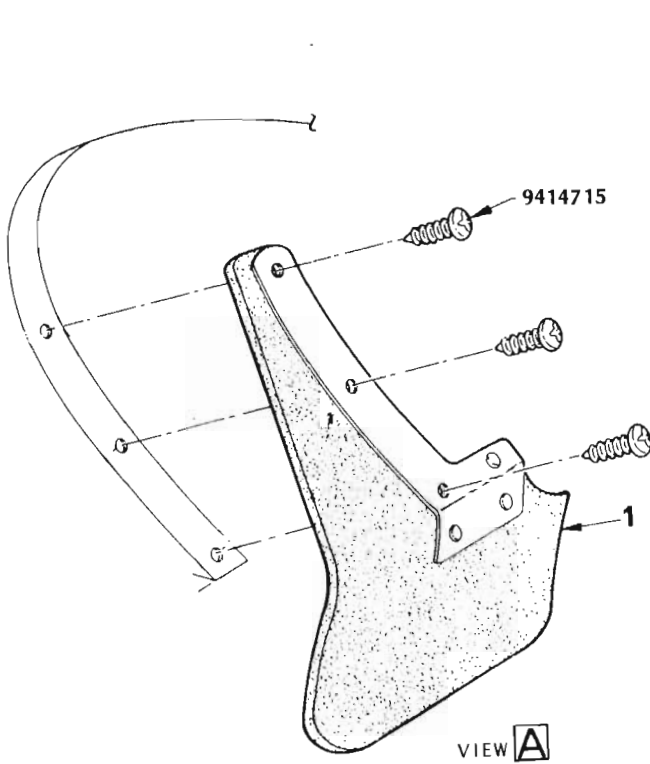
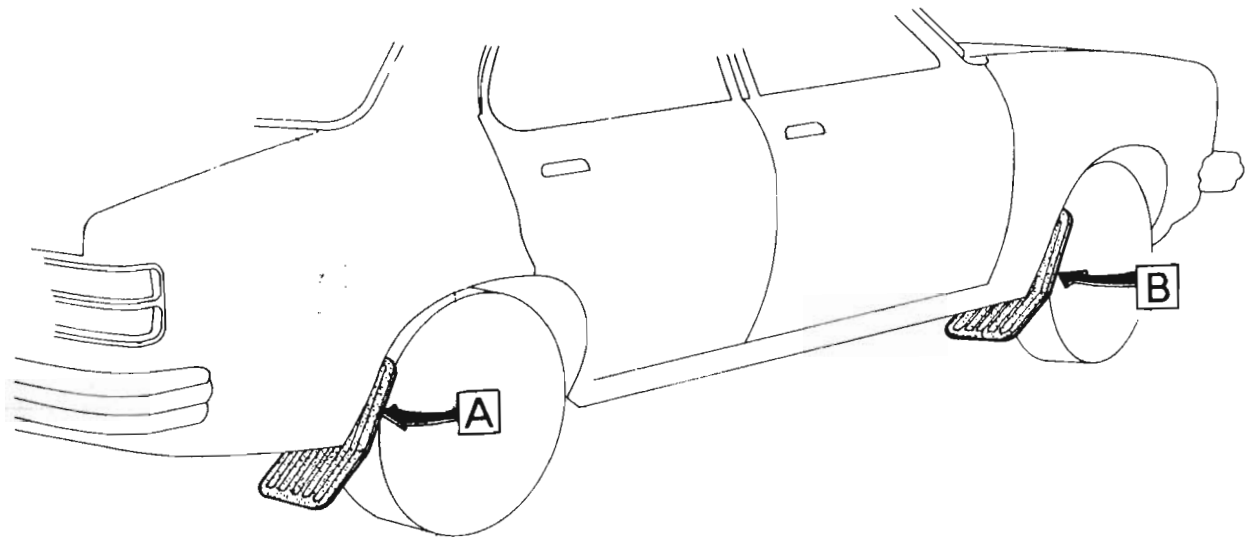
ILLUS. REF. NO.	PART NAME	GROUP
1.	HARNESS ASSEMBLY - Vacuum hose and wiring .....	9.276
2.	CLIP - Water and vacuum hose to dash .....	9.281
3.	CABLE - Temperature control .....	9.278
4.	BOLT - Heater control to instrument panel .....	9.278
5.	CONTROL ASSEMBLY .....	9.278
6.	SWITCH ASSEMBLY - Master micro .....	9.275
7.	SWITCH ASSEMBLY - Compressor micro .....	9.275
8.	HOSE - Mode valve to connector tee .....	9.281
9.	HOSE - Inlet manifold to vacuum check valve .....	9.281
10.	VALVE ASSEMBLY - Heater water .....	9.275
11.	VALVE ASSEMBLY - Vacuum check .....	9.280
12.	RESISTOR ASSEMBLY .....	9.275
13.	RELAY ASSEMBLY .....	9.275
14.	CIRCUIT BREAKER ASSEMBLY .....	9.275
15.	LEAD ASSEMBLY - Circuit breaker to relay .....	9.276
16.	SLEEVE - Circuit breaker stud .....	9.275
17.	SEAL - Resistor .....	9.275



**WATER BAG CARRIER**

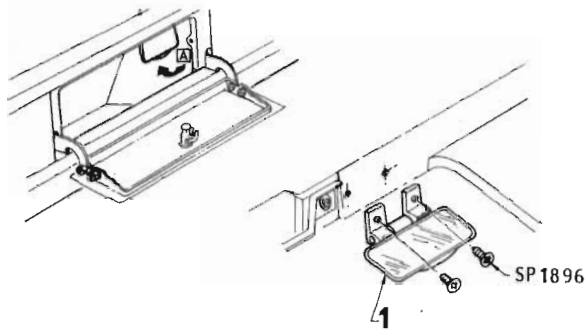
ILLUS. REF. NO.	PART NAME	GROUP
1.	WATER BAG CARRIER PACKAGE .....	9.608

NOTE: Component parts are not serviced separately.

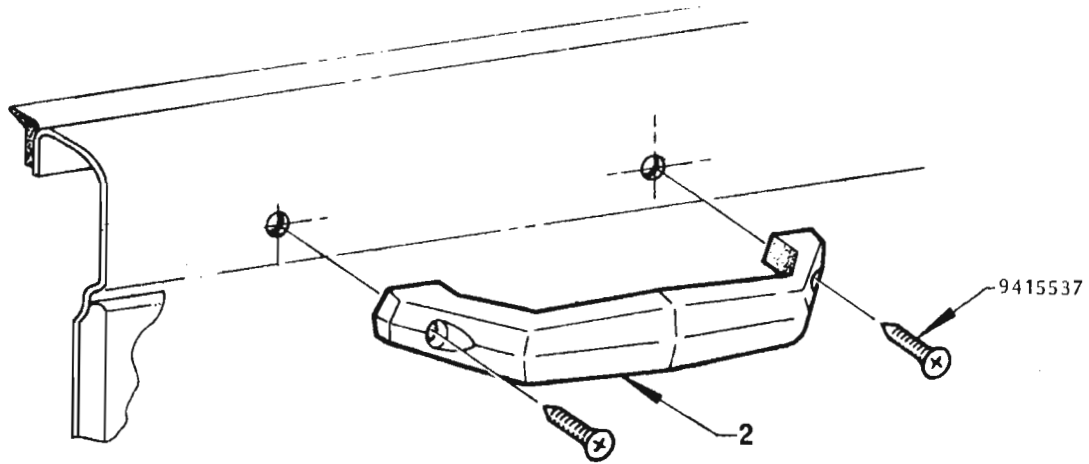


MUD DEFLECTOR PACKAGE

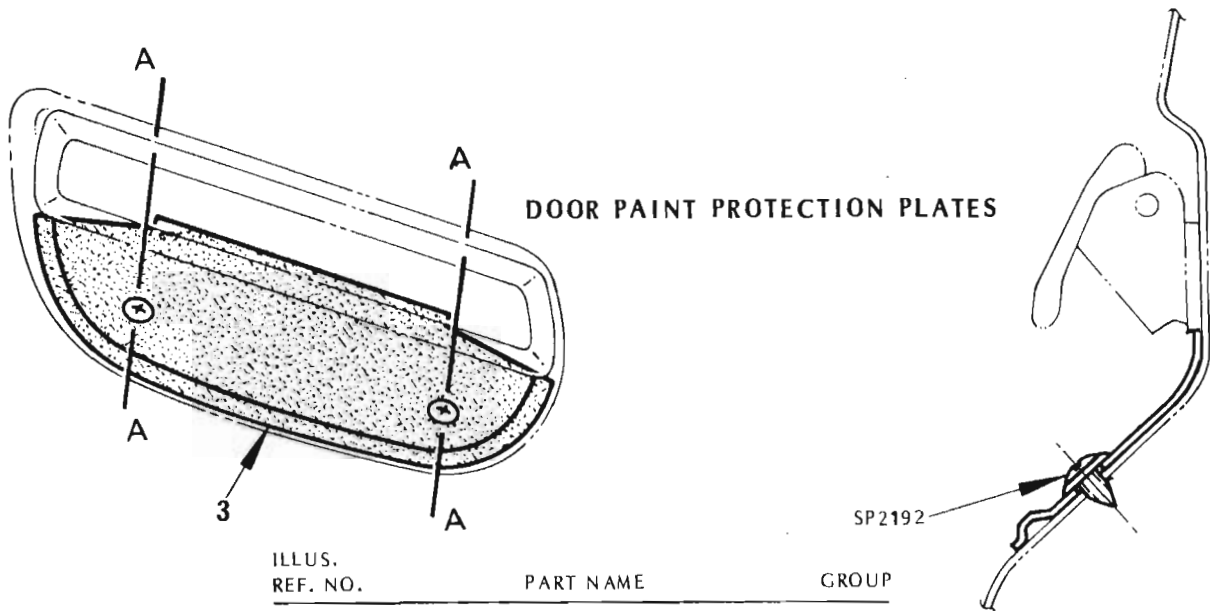
ILLUS. REF. NO.	PART NAME	GROUP
1.	DEFLECTOR - Rear .....	9.620
2.	DEFLECTOR - Front .....	9.620



VANITY MIRROR



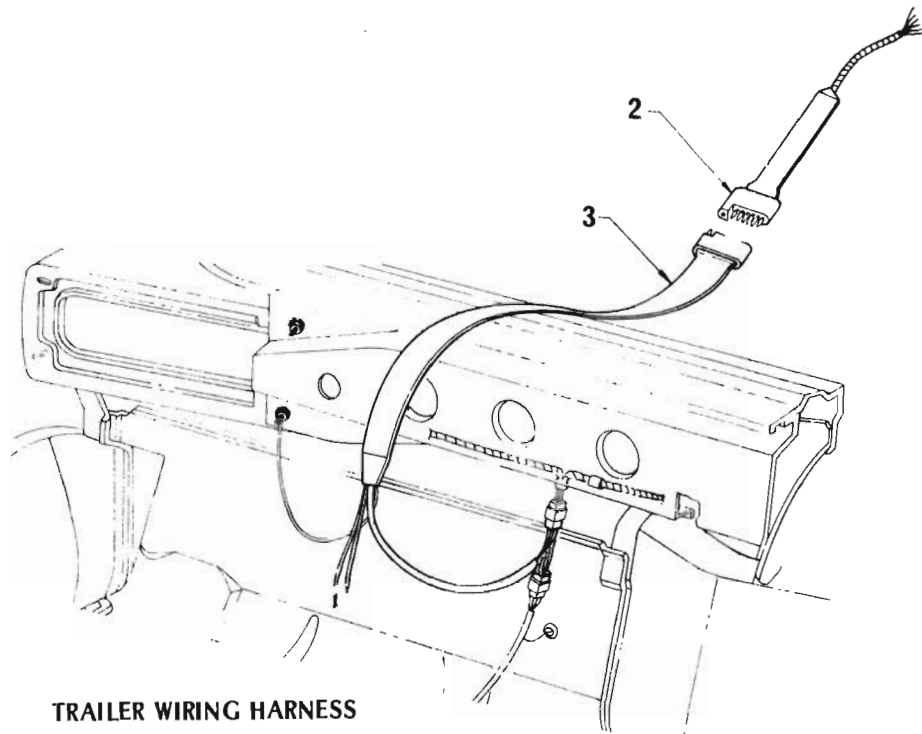
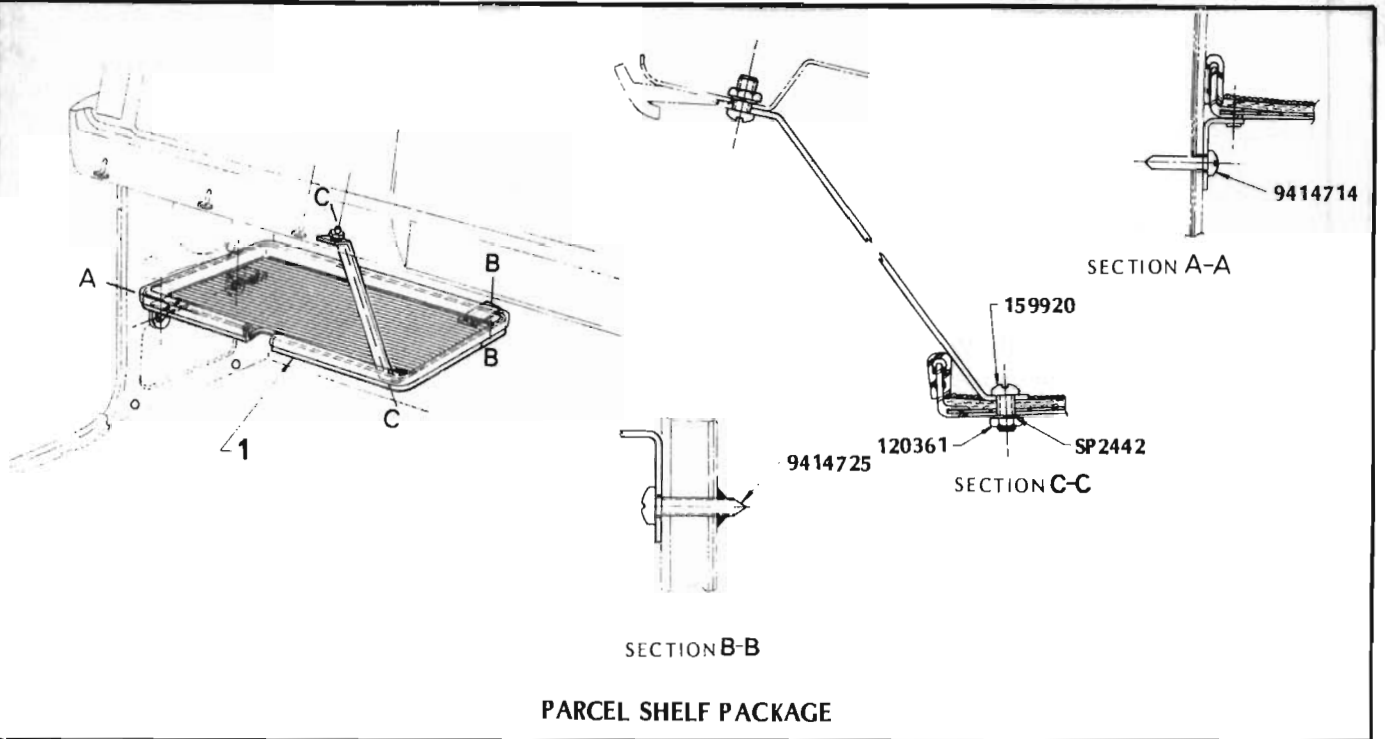
DOOR PULL TO HANDLE



DOOR PAINT PROTECTION PLATES

ILLUS. REF. NO.	PART NAME	GROUP
1.	MIRROR PACKAGE - Vanity .....	10.222
2.	HANDLE - Door pull to .....	9.640
3.	PLATE - Door paint protection .....	9.658

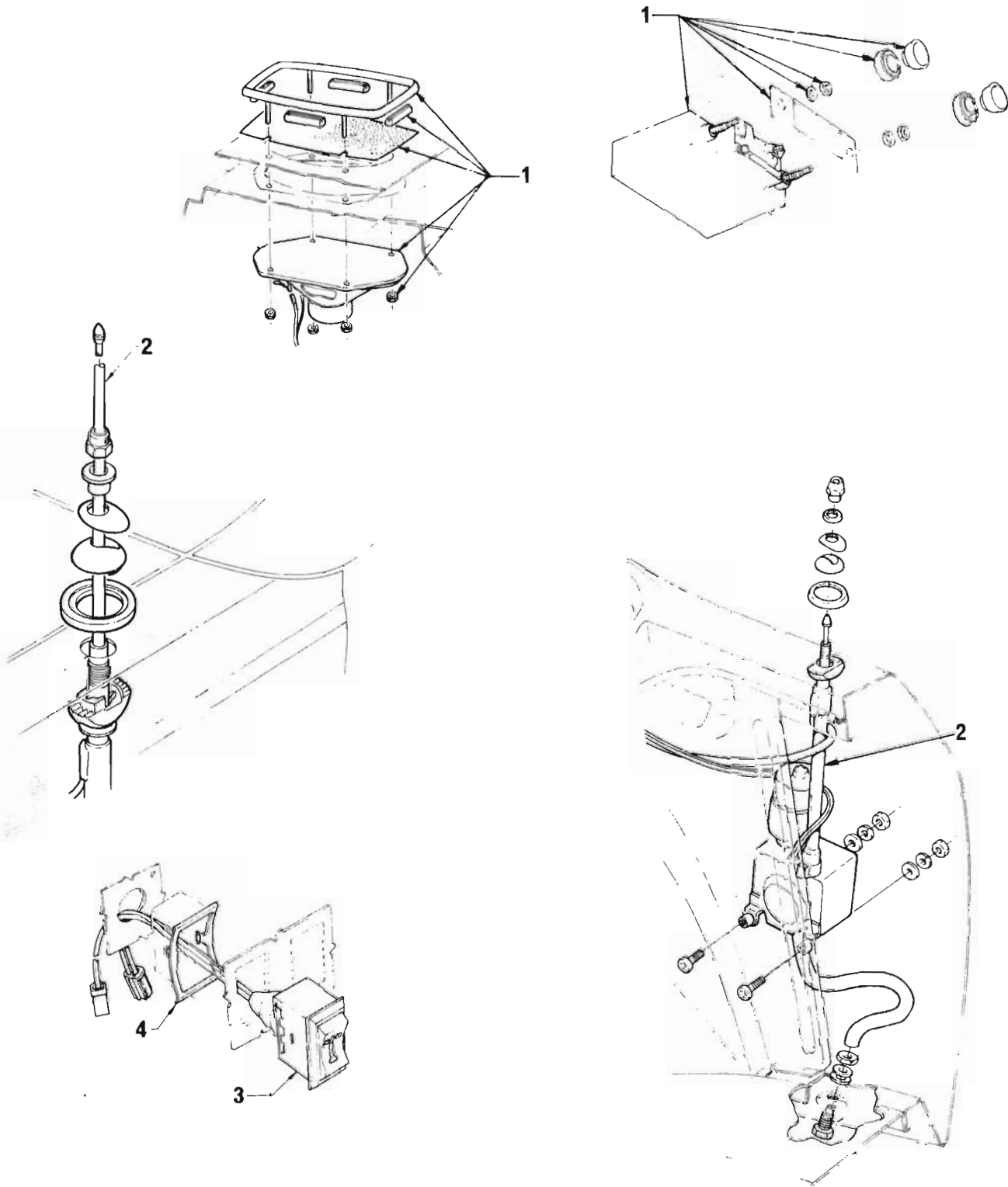
SECTION A-A



**TRAILER WIRING HARNESS**

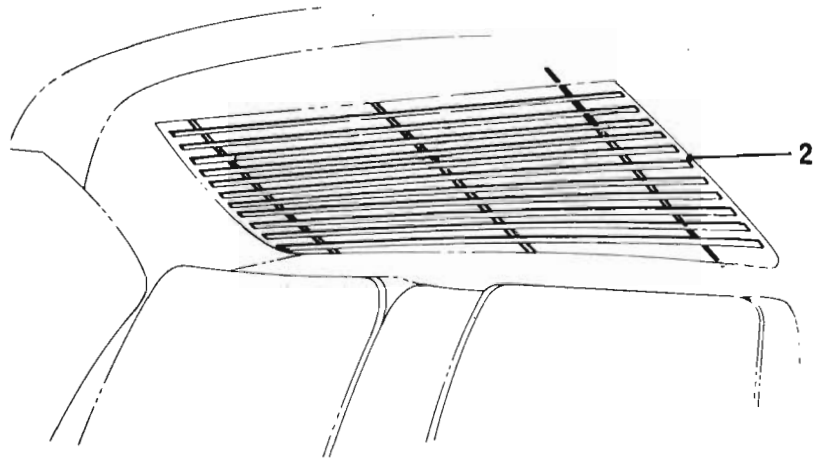
ILLUS. REF. NO.	PART NAME	GROUP
1.	SHELF PACKAGE – Parcel .....	9.672
2-3.	HARNESS PACKAGE – Trailer wiring .....	9.644





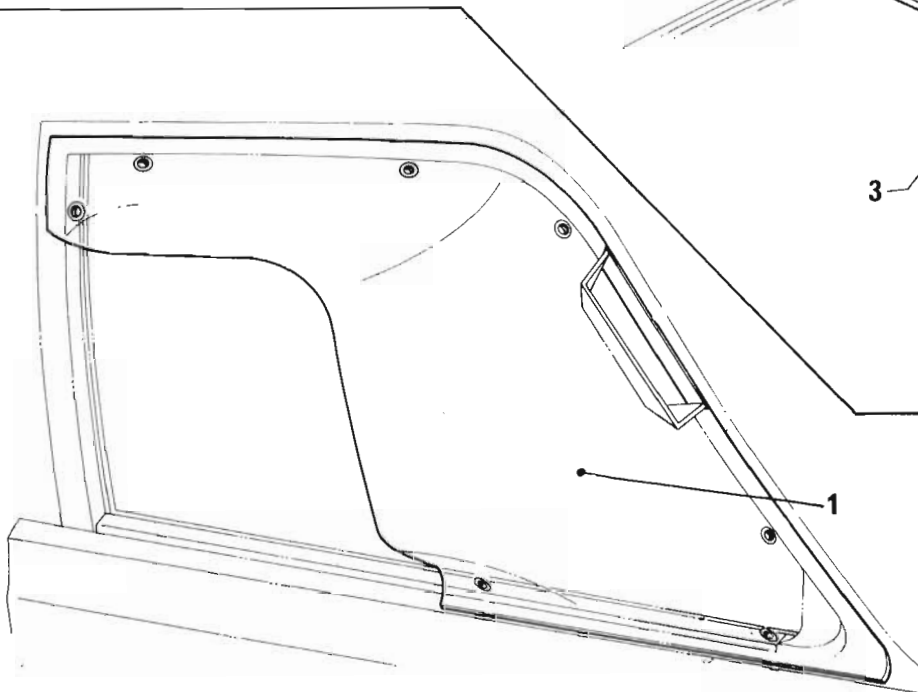
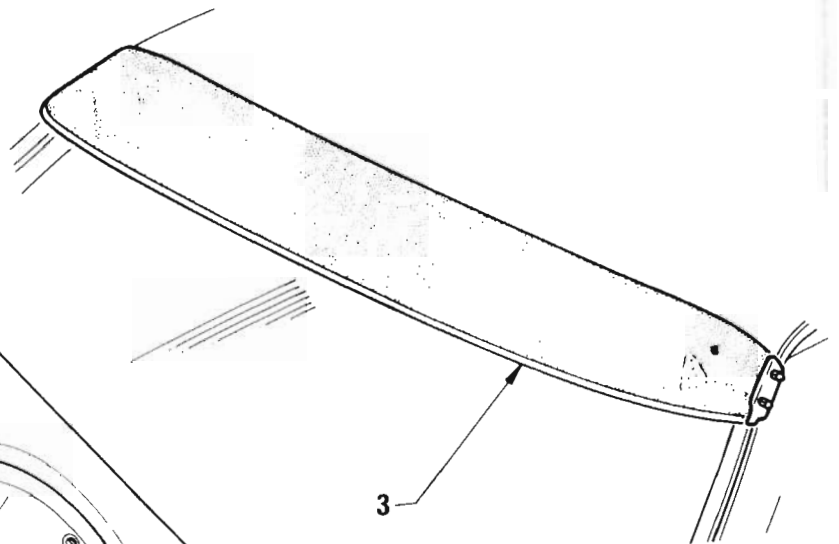
RADIO PACKAGE

ILLUS. REF. NO.	PART NAME	GROUP
1.	RADIO PACKAGE .....	9.662
2.	ANTENNA PACKAGE .....	9.662
3.	SWITCH - Electric antenna .....	9.662
4.	RETAINER - Antenna switch .....	9.662



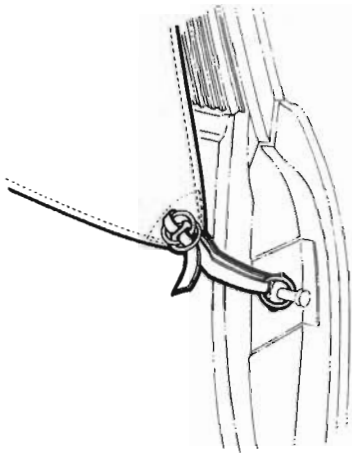
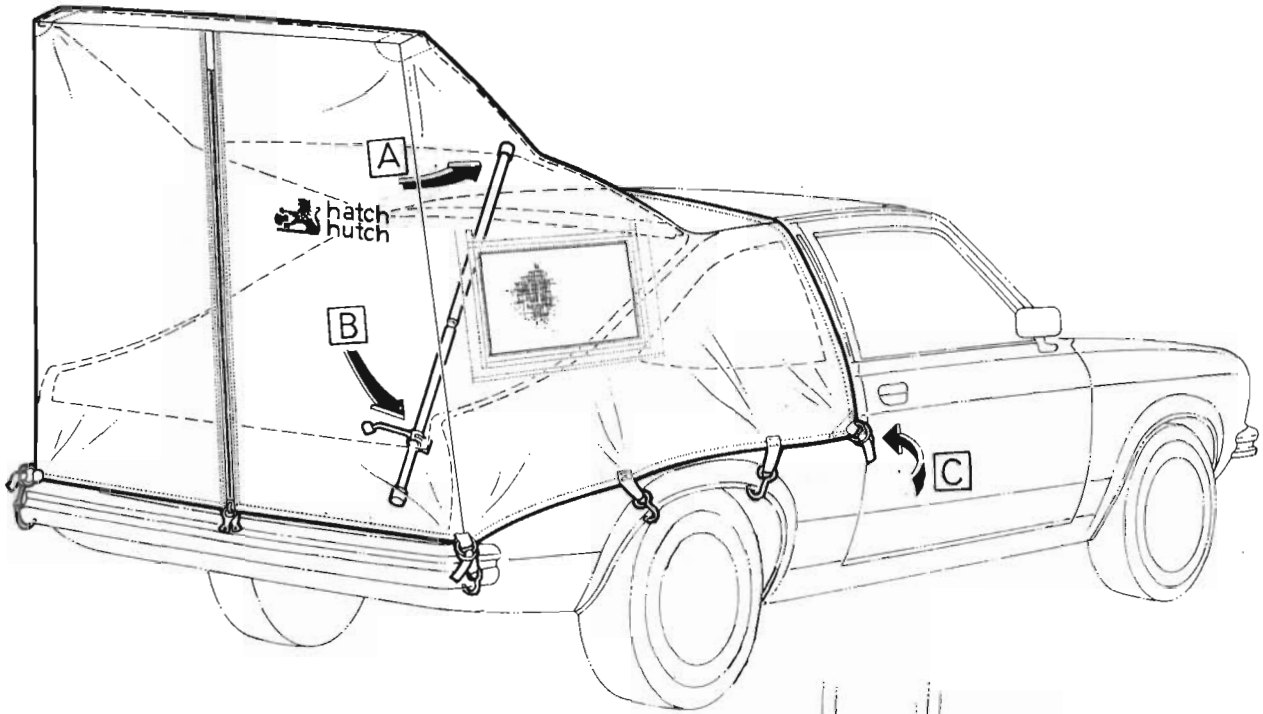
REAR WINDOW VENETIAN SHADE

EXTERIOR SUNSHADE

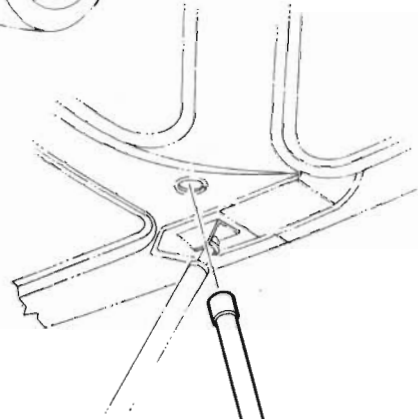


DOOR WEATHERSHIELD

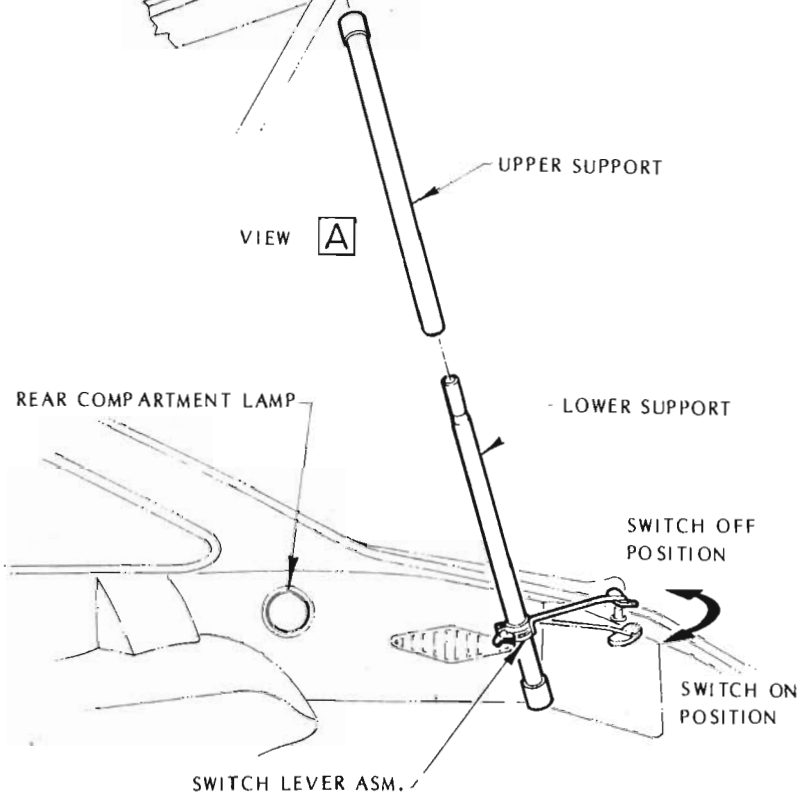
ILLUS. REF. NO.	PART NAME	GROUP
1.	WEATHERSHIELD PACKAGE .....	9.684
2.	SHADE PACKAGE - Venetian .....	9.668
3.	SUNSHADE PACKAGE .....	9.680



VIEW C

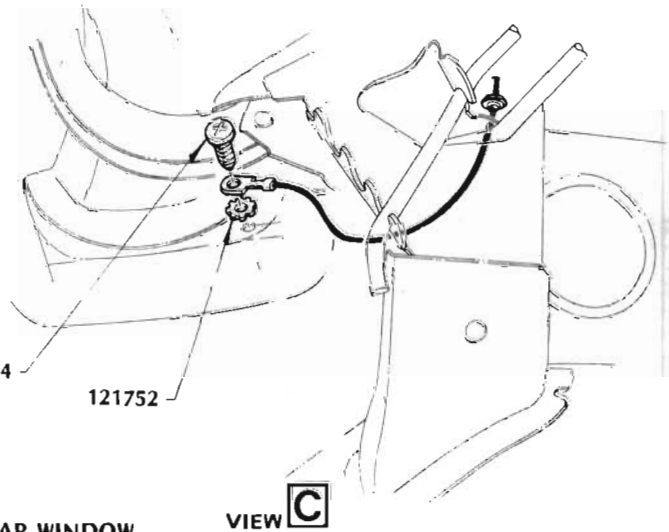
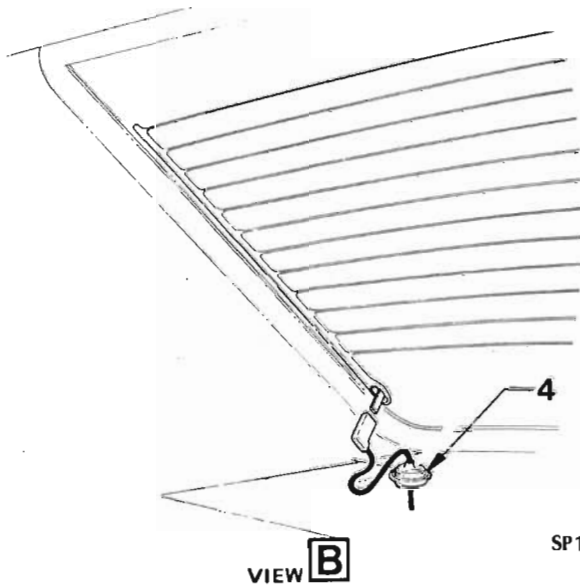
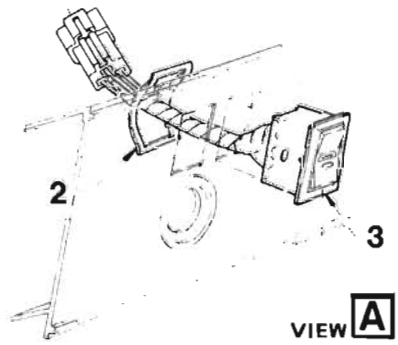
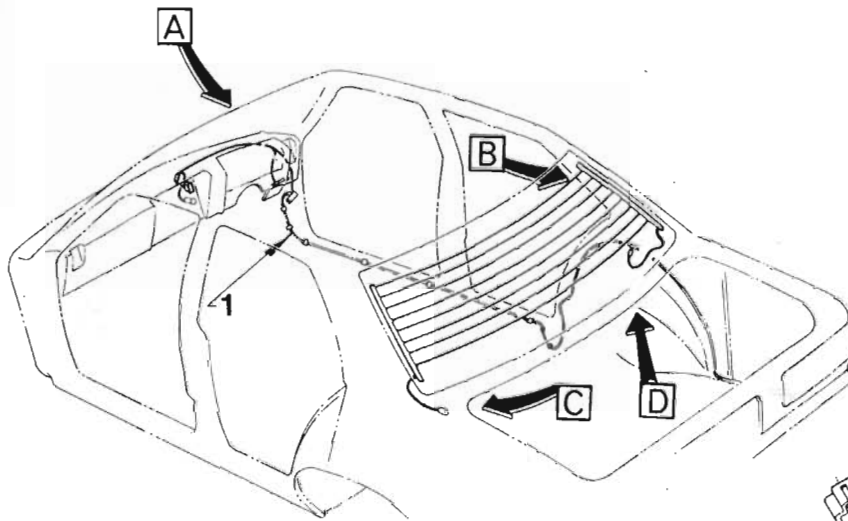


VIEW A



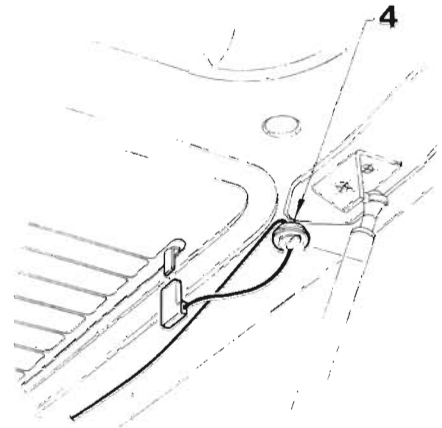
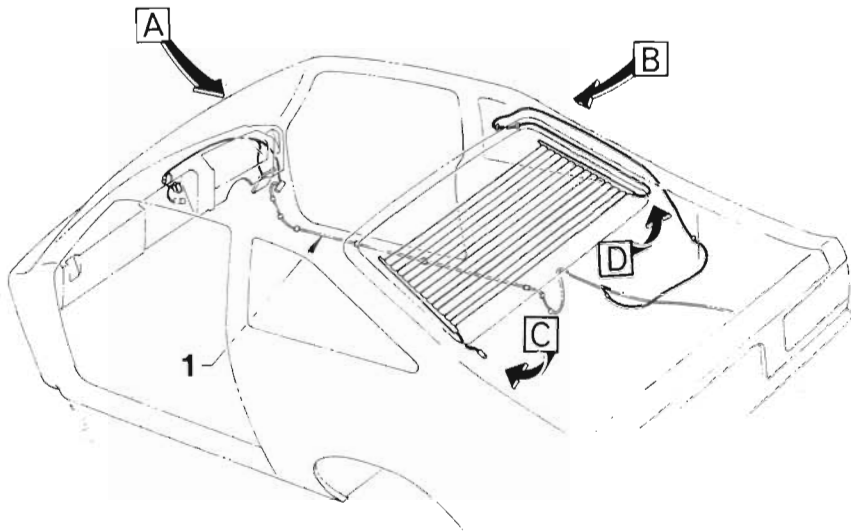
VIEW B

**HATCH HUTCH PACKAGE**  
REFER GROUP 9.685

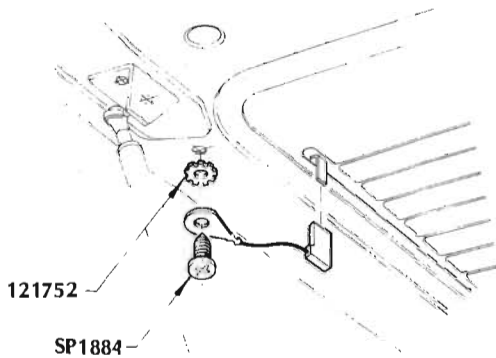


**HEATED REAR WINDOW**  
69 BODY STYLES

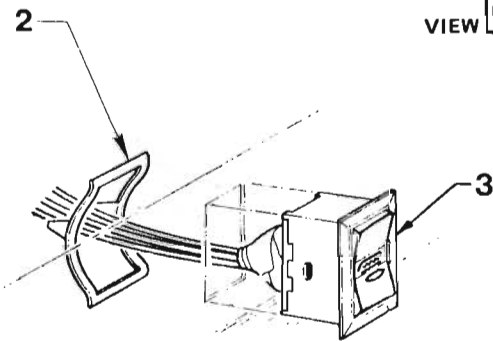
ILLUS. REF. NO.	PART NAME	GROUP
1.	HARNES ASSEMBLY – Body wiring .....	13.090
2.	SPRING – Switch retainer .....	9.778
3.	SWITCH ASSEMBLY .....	9.778
4.	GROMMET – Lead .....	9.778



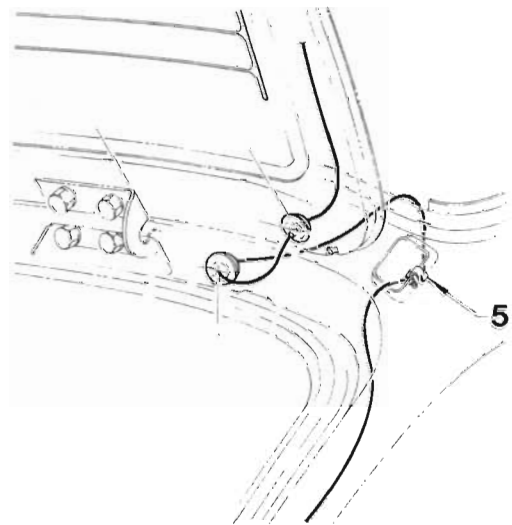
VIEW D



VIEW C



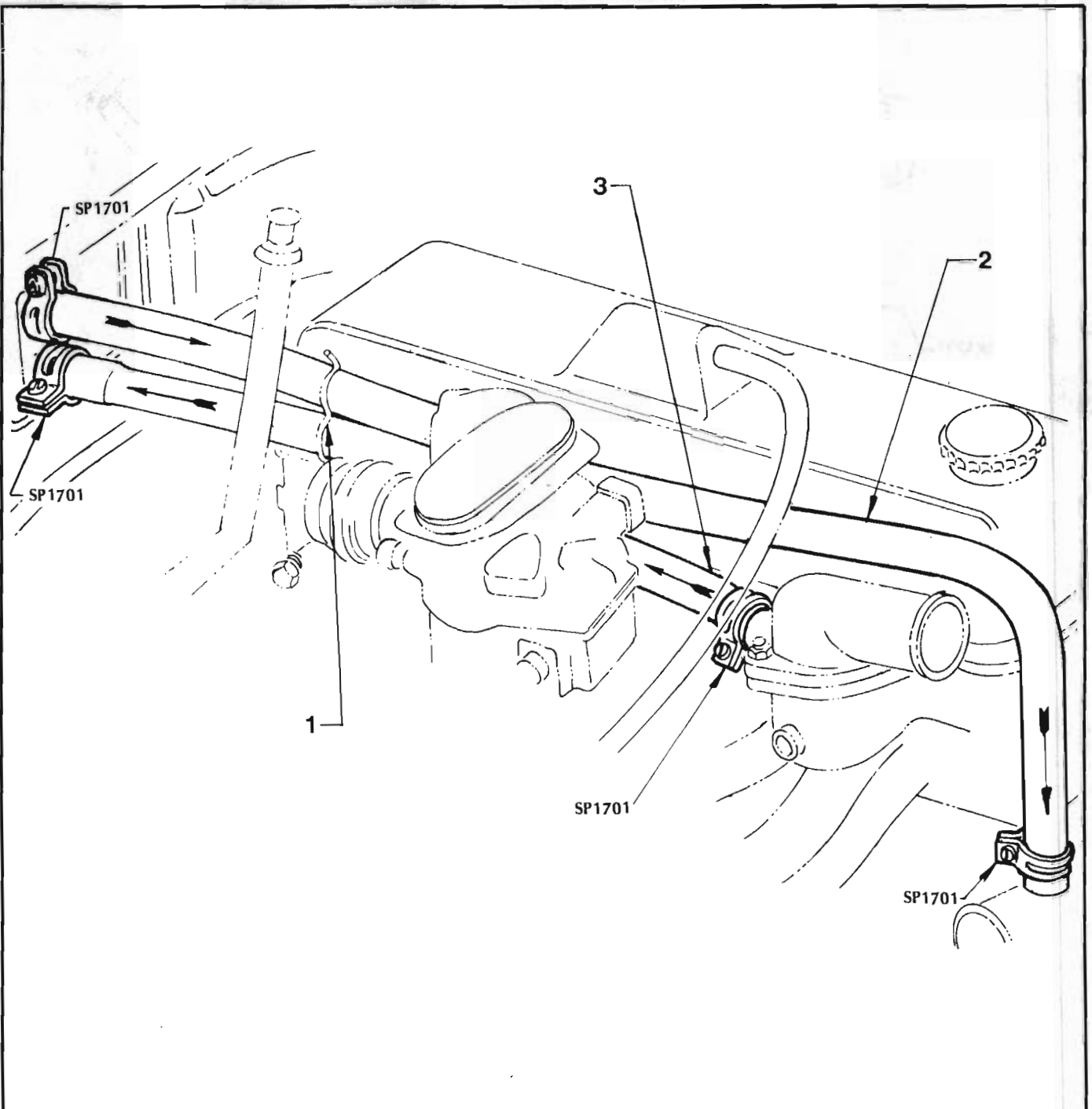
VIEW A



VIEW B

**HEATED REAR WINDOW  
77 BODY STYLES**

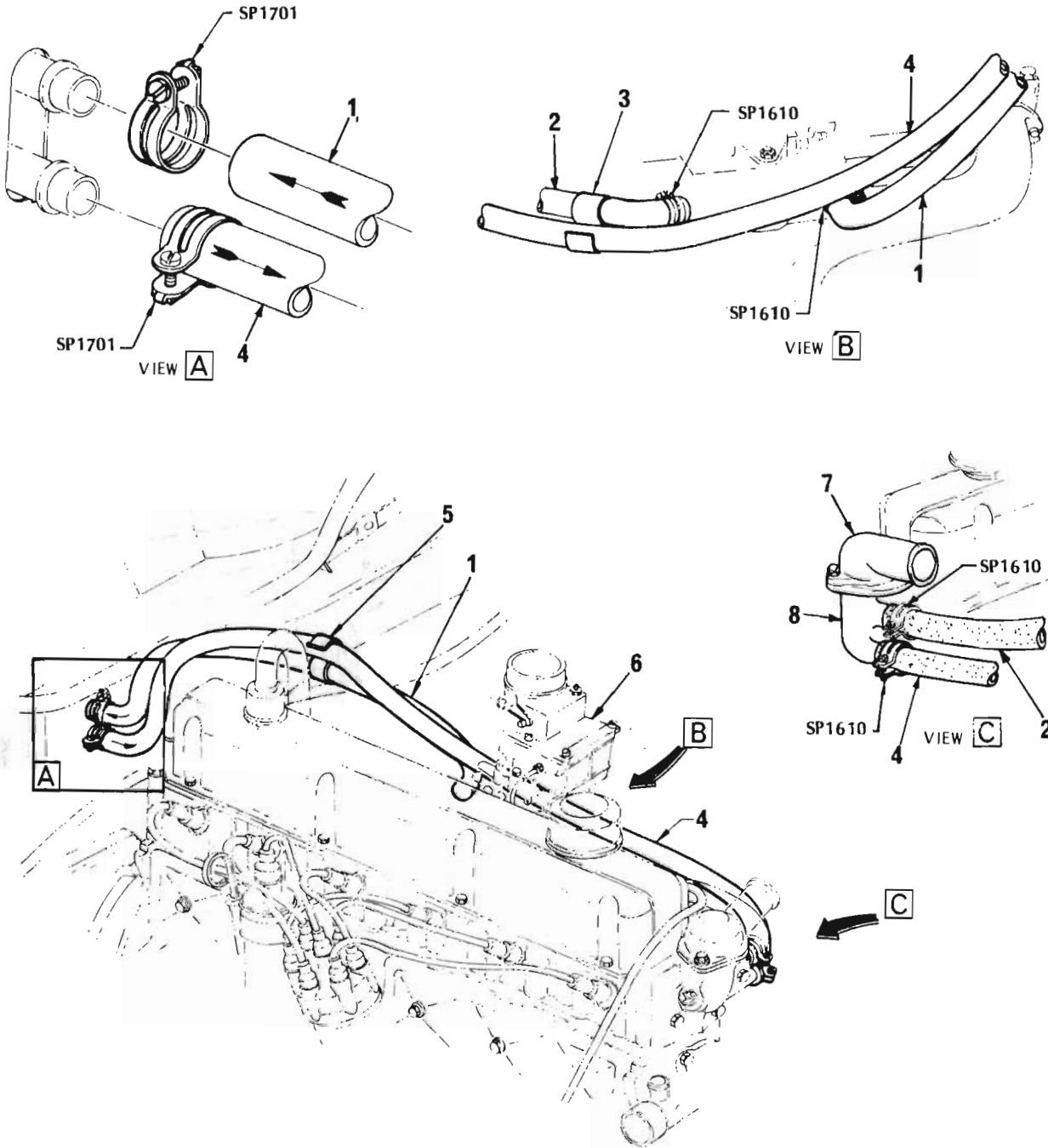
ILLUS. REF. NO.	PART NAME	GROUP
1.	HARNESS ASSEMBLY — Body wiring .....	13.090
2.	SPRING — Switch retainer .....	9.778
3.	SWITCH ASSEMBLY .....	9.778
4.	GROMMET — Lead .....	9.778
5.	CLIP — Lead .....	9.778



**HEATER HOSES**

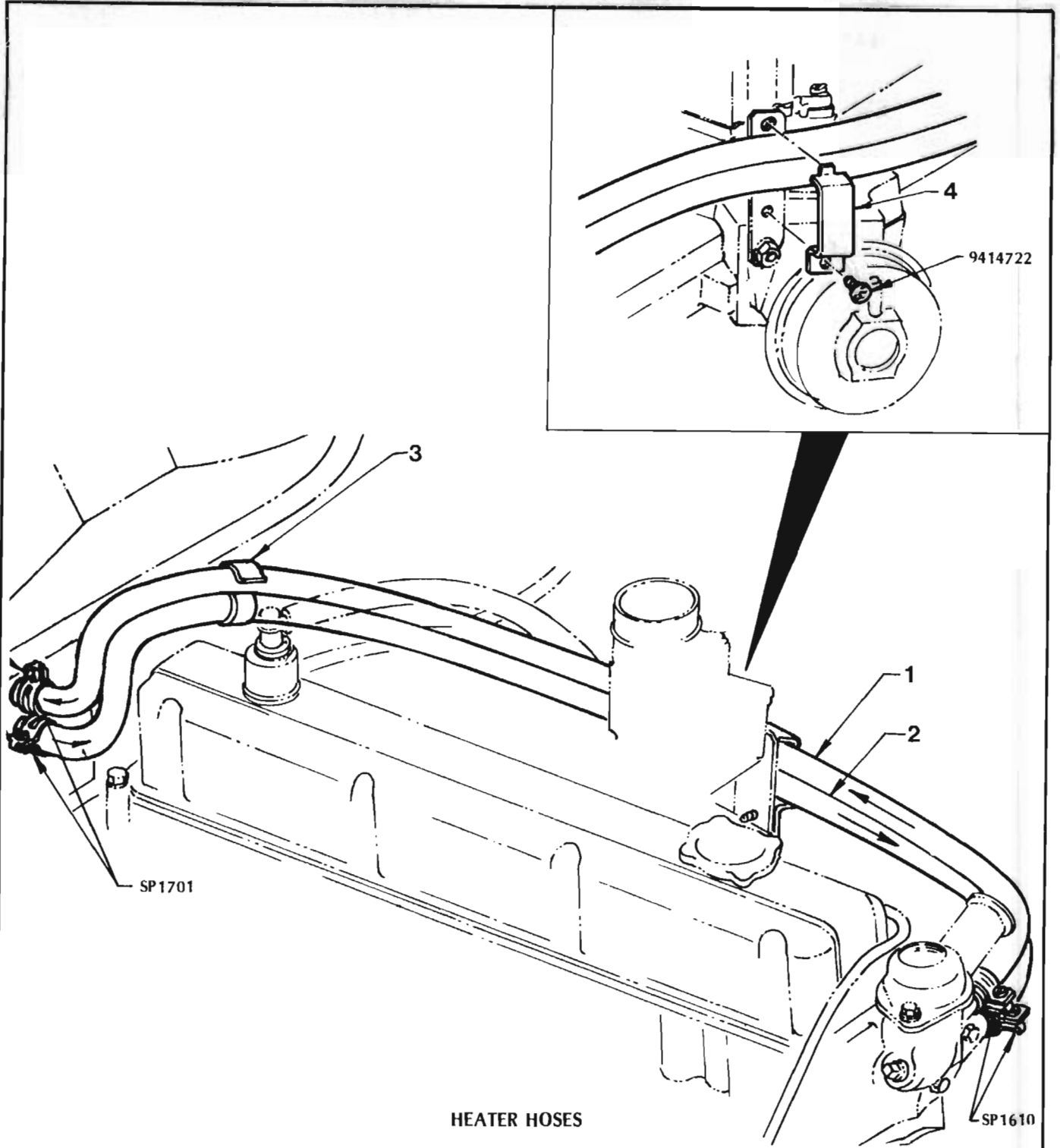
**OPEL - 4 CYLINDER ENGINE**

ILLUS. REF. NO.	PART NAME	GROUP
1.	CLIP - Heater hoses to rocker cover .....	9.779
2.	HOSE - Heater outlet to water pump .....	9.779
3.	HOSE - Heater inlet to thermostat housing .....	9.779



**HEATER HOSES**  
**WITHOUT EXHAUST EMISSION CONTROL**  
**6 CYLINDER ENGINE**

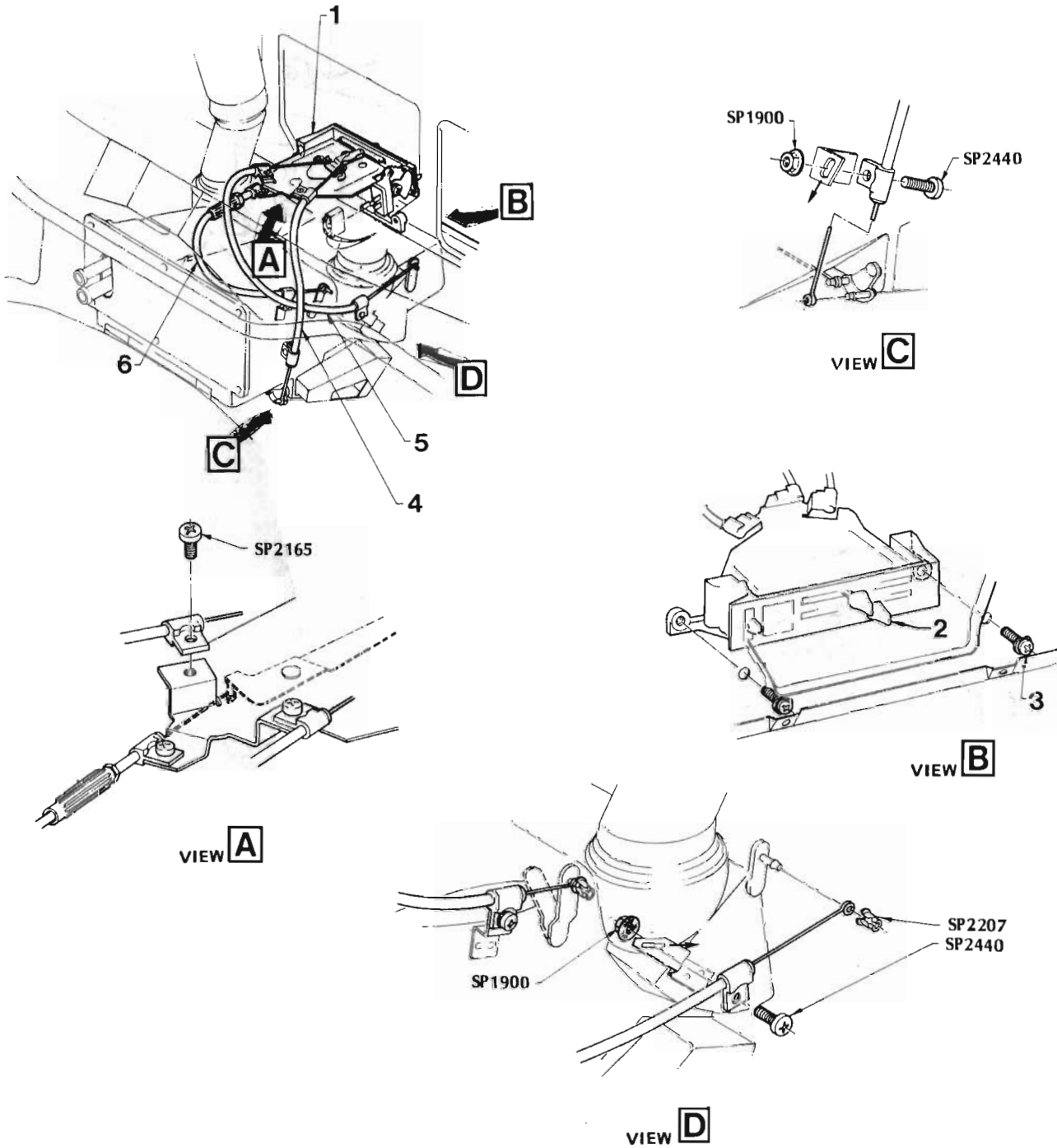
ILLUS. REF. NO.	PART NAME	GROUP
1.	HOSE - Heater inlet to manifold .....	9.779
2.	HOSE - Inlet manifold water .....	3.260
3.	CLIP - Outlet hose to manifold hose .....	9.779
4.	HOSE - Heater outlet to thermo housing .....	9.779
5.	CLIP - Inlet to outlet hose .....	9.779
6.	CARBURETTOR ASSEMBLY .....	3.725
7.	OUTLET - Cylinder head water .....	1.153
8.	HOUSING - Thermostat .....	1.251



**HEATER HOSES  
WITH EVAPORATIVE AND EXHAUST EMISSION CONTROL  
6 CYLINDER ENGINE**

ILLUS. REF. NO.	PART NAME	GROUP
1.	HOSE - Heater inlet .....	9.779
2.	HOSE - Heater outlet .....	9.779
3.	CLIP - Inlet hose to outlet hose .....	9.779
4.	CLAMP - Hoses to support bracket .....	9.779

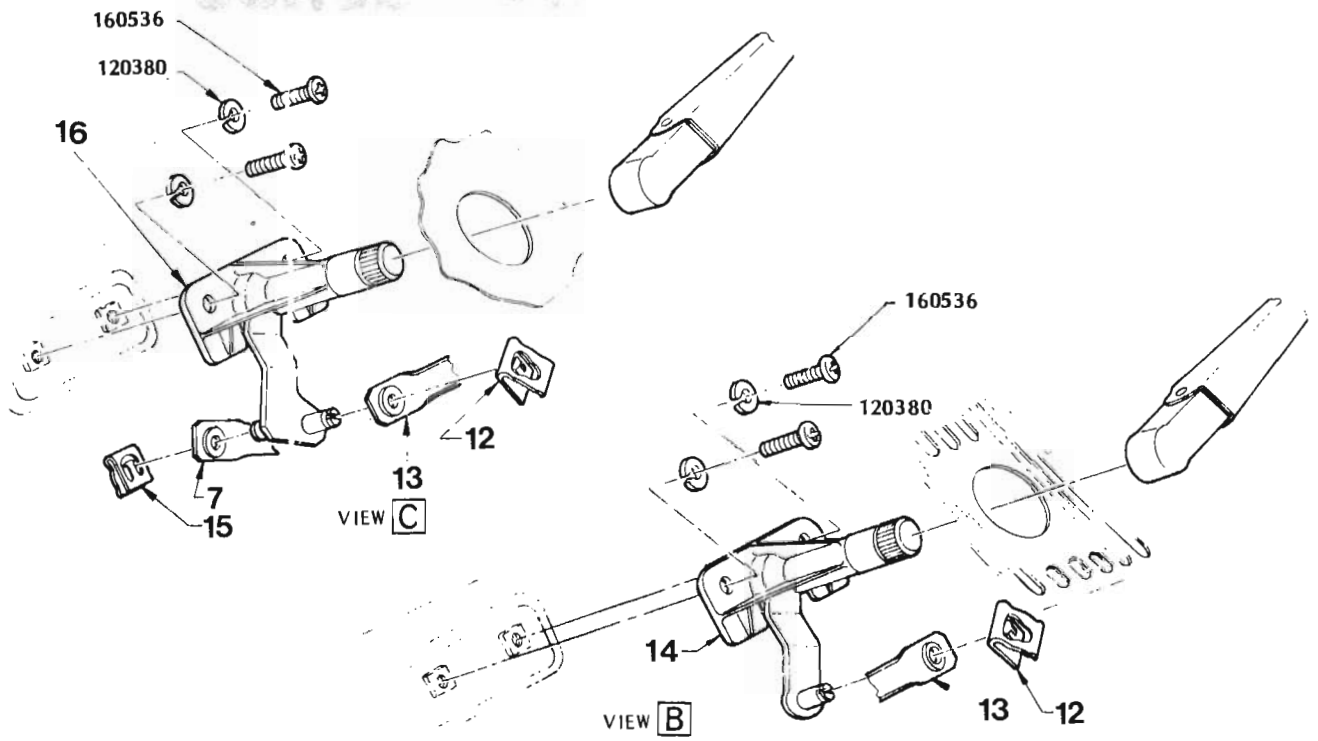
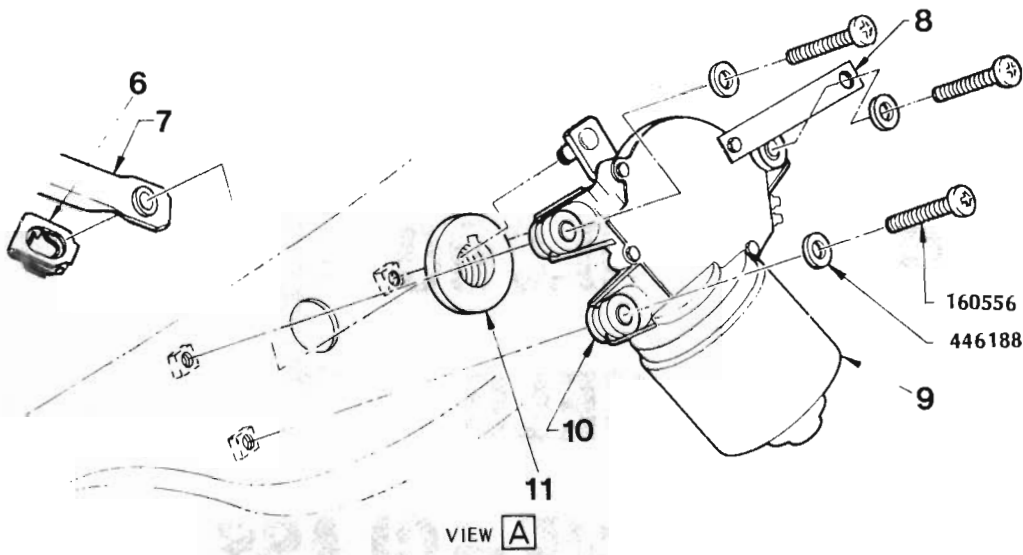


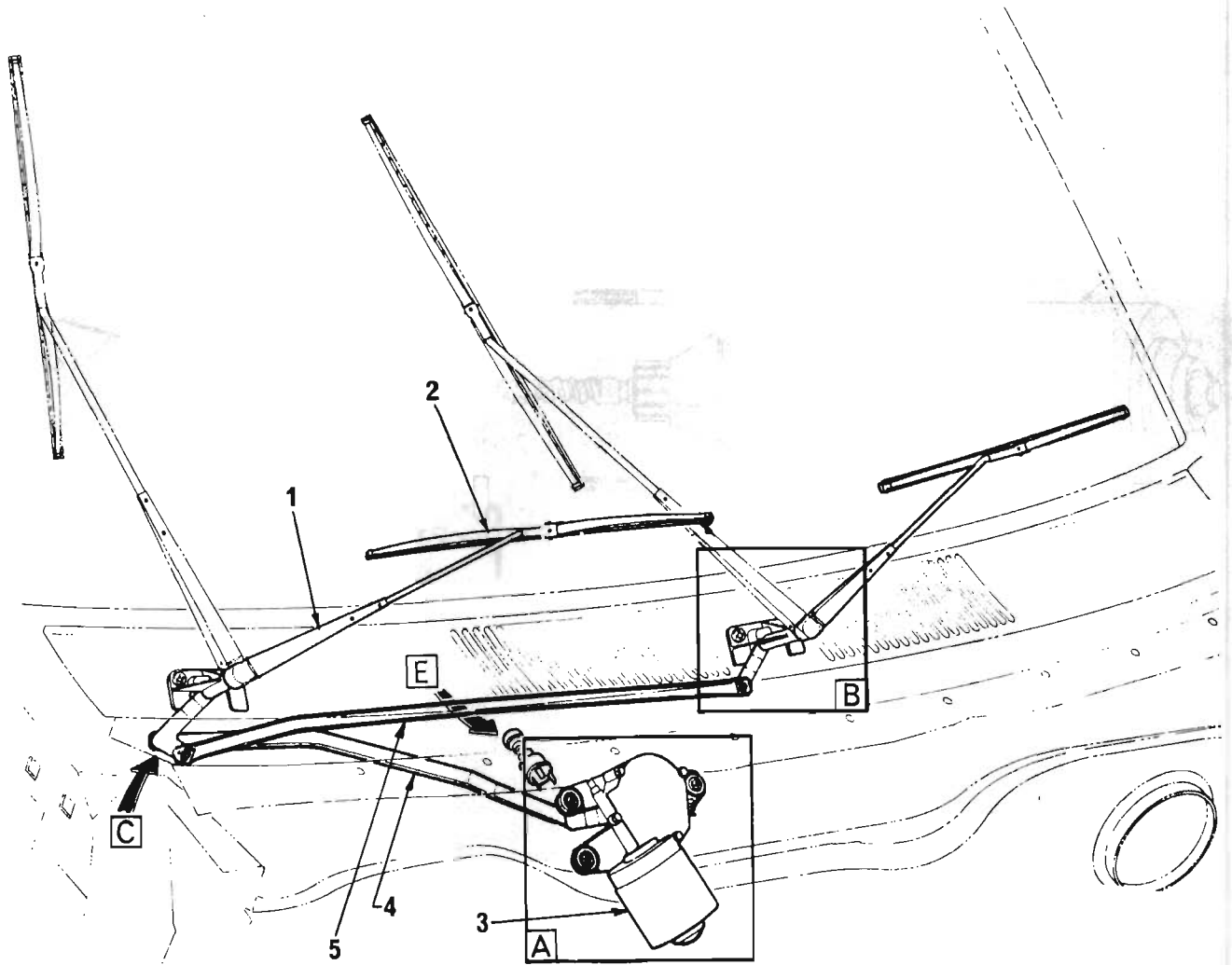


HEATER CONTROLS

ILLUS. REF. NO.	PART NAME	GROUP
1.	CONTROL ASSEMBLY .....	9.779
2.	KNOB - Control lever .....	9.779
3.	SCREW - Control assembly to instrument panel .....	9.779
4.	CABLE - Interior control .....	9.779
5.	CABLE - Demist control .....	9.779
6.	CABLE - Temperature control .....	9.779

**GROUP 10.000**  
**WINDSHIELD**  
**DOOR HARDWARE – GLASS**

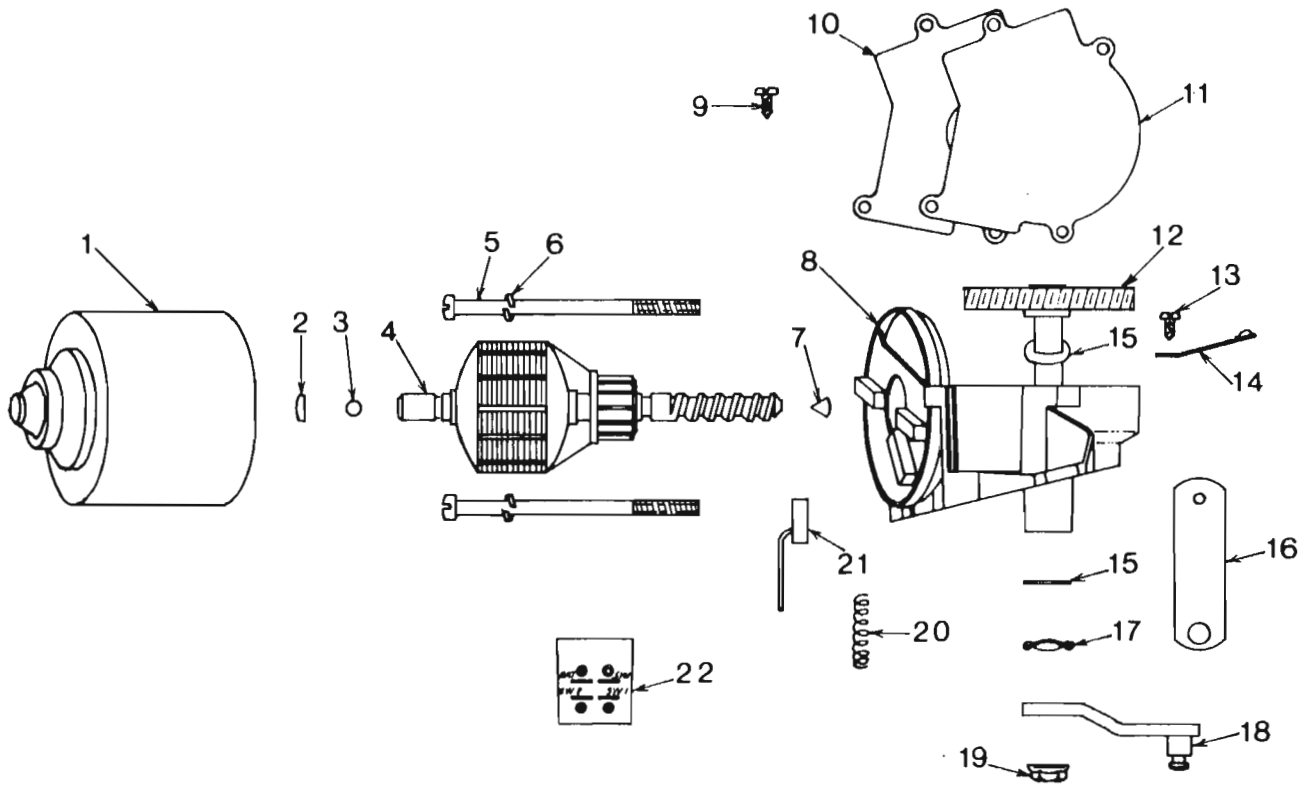




WINDSHIELD WIPER

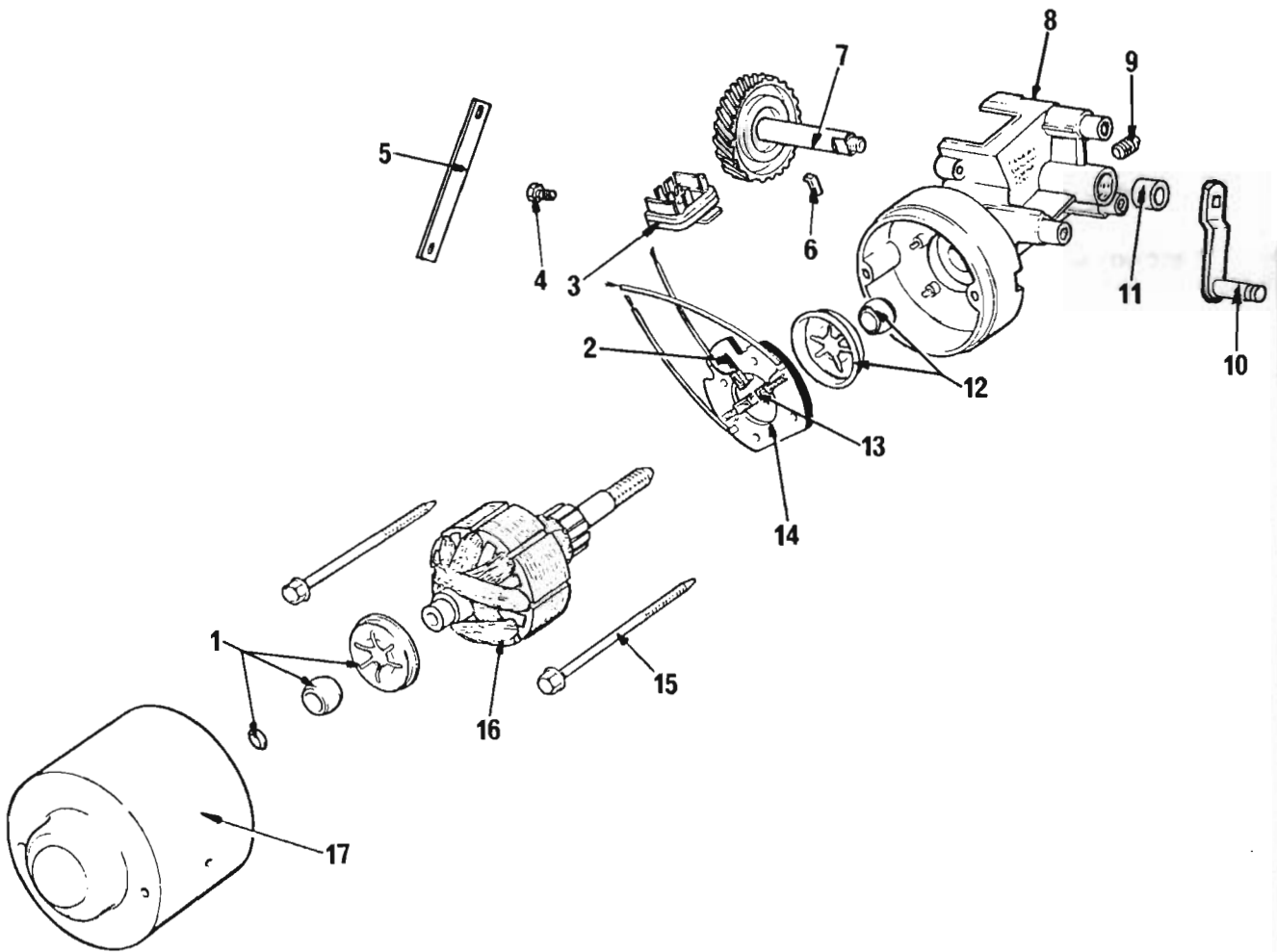
ILLUSTRATIONS ABOVE & OPPOSITE

ILLUS. REF. NO.	PART NAME	GROUP
1.	ARM ASSEMBLY .....	10.147
2.	BLADE ASSEMBLY .....	10.146
3.	MOTOR ASSEMBLY .....	10.150
4.	LINK ASSEMBLY - Drive .....	10.159
5.	LINK ASSEMBLY - Driven .....	10.159
6.	CLIP - Drive link to wiper motor .....	10.160
7.	LINK ASSEMBLY - Drive .....	10.159
8.	STRAP - Earth .....	10.150
9.	MOTOR ASSEMBLY .....	10.150
10.	GROMMET .....	10.152
11.	SEAL .....	10.152
12.	CLIP - Driven link attaching .....	10.160
13.	LINK ASSEMBLY - Driven .....	10.159
14.	PIVOT & BRACKET ASSEMBLY - Driven .....	10.159
15.	CLIP - Drive link to pivot .....	10.160
16.	PIVOT & BRACKET ASSEMBLY - Drive .....	10.159



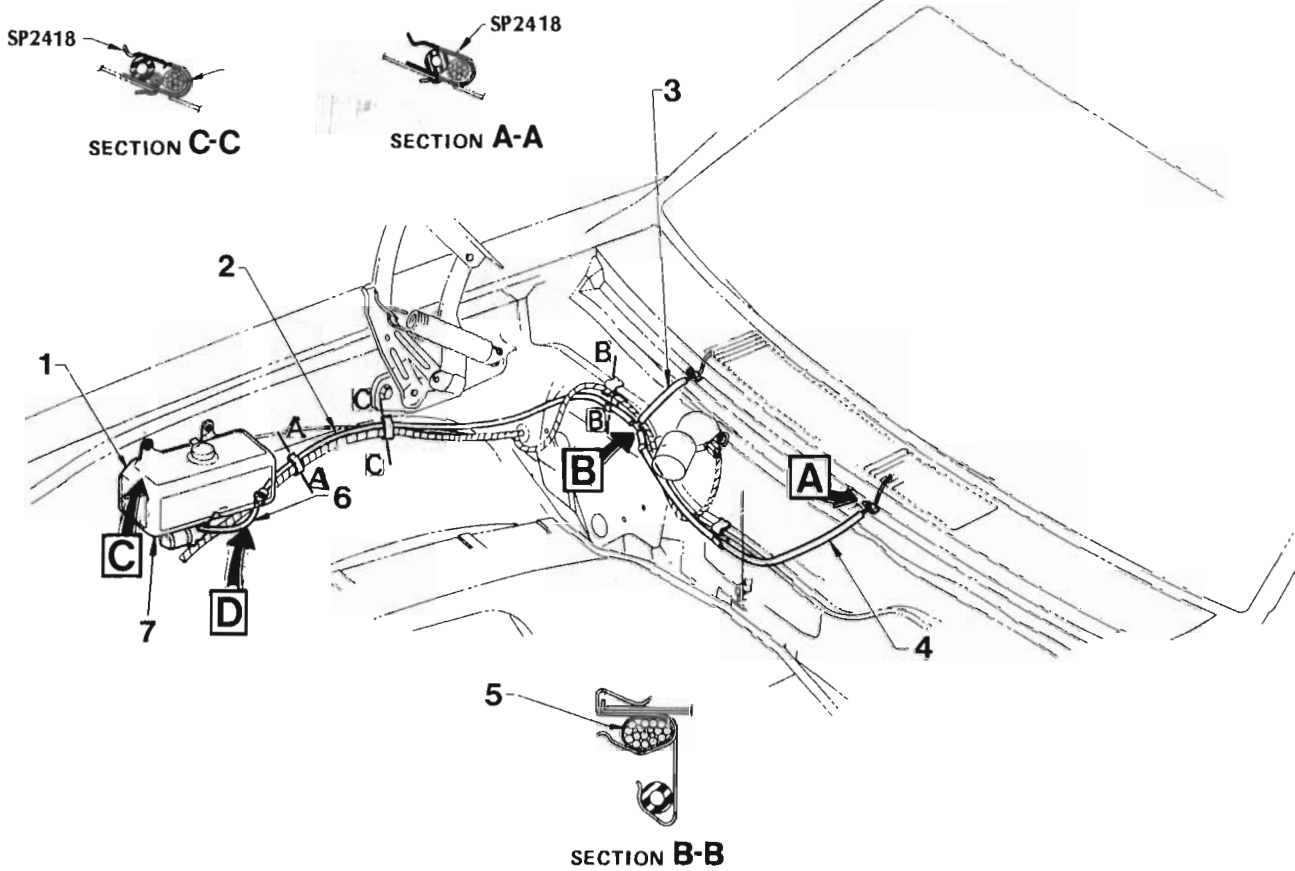
**WINDSHIELD WIPER MOTOR  
PRESLITE**

ILLUS. REF. NO.	PART NAME	GROUP
1.	HOUSING - Armature .....	10.150
2.	PAD - Armature thrust .....	10.150
3.	BALL - Armature thrust .....	10.150
4.	ARMATURE ASSEMBLY .....	10.150
5.	BOLT - Through .....	10.150
6.	WASHER .....	10.150
7.	CONE - Armature thrust .....	10.150
8.	HOUSING ASSEMBLY - Gear .....	10.150
9.	SCREW .....	10.150
10.	GASKET .....	10.150
11.	PLATE - Cover .....	10.150
12.	GEAR & SHAFT ASSEMBLY .....	10.150
13.	SCREW - Earth finger .....	10.150
14.	FINGER - Earth .....	10.150
15.	WASHER - Gear and shaft - Flat .....	10.150
16.	STRAP - Earth .....	10.150
17.	WASHER - Gear and shaft - Wave .....	10.150
18.	CRANK ASSEMBLY .....	10.150
19.	NUT - Crank retaining .....	10.150
20.	SPRING - Brush .....	10.150
21.	BRUSH .....	10.150
22.	TERMINAL BLOCK ASSEMBLY .....	10.150



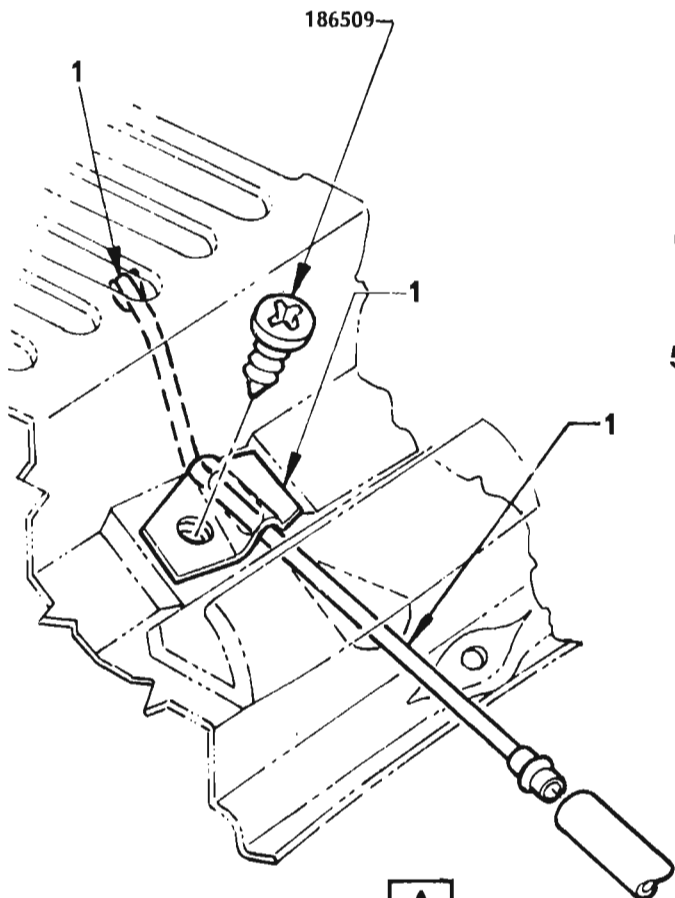
**WINDSHIELD WIPER MOTOR  
LUCAS**

ILLUS. REF. NO.	PART NAME	GROUP
1.	BEARING SET – Yoke .....	10.150
2.	SPRING SET – Brush .....	10.150
3.	TERMINAL – Switch .....	10.150
4.	SCREW – Cover attaching .....	10.150
5.	STRAP – Earth .....	10.150
6.	CONTACT – Earth .....	10.150
7.	GEAR & SHAFT ASSEMBLY .....	10.150
8.	COVER – Gearbox .....	10.150
9.	SCREW – Thrust .....	10.150
10.	CRANK ASSEMBLY .....	10.150
11.	BEARING – Drive shaft .....	10.150
12.	BEARING SET – Commutator end .....	10.150
13.	BRUSH SET .....	10.150
14.	BRUSH GEAR .....	10.150
15.	BOLT – Through .....	10.150
16.	ARMATURE ASSEMBLY .....	10.150
17.	YOKE ASSEMBLY .....	10.150

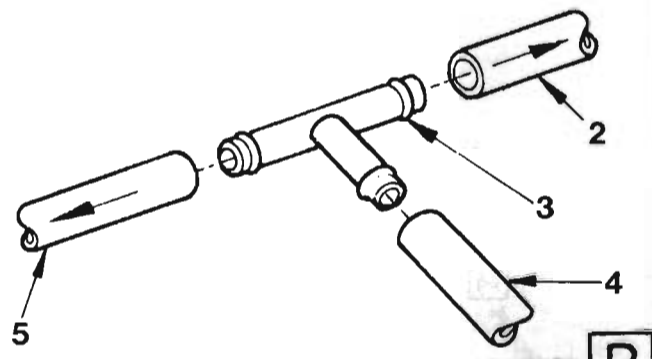


**WINDSHIELD WASHER**

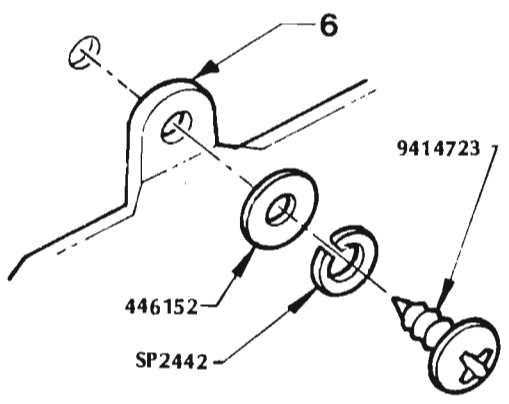
ILLUS. REF. NO.	PART NAME	GROUP
1.	RESERVOIR ASSEMBLY .....	10.154
2.	HOSE - Valve to tee .....	10.155
3.	HOSE - Tee to nozzle - Right hand .....	10.155
4.	HOSE - Tee to nozzle - Left hand .....	10.155
5.	CLIP - Harness and washer hose to dash panel .....	2.555
6.	HOSE - Reservoir to valve .....	10.155
7.	PUMP ASSEMBLY .....	10.153



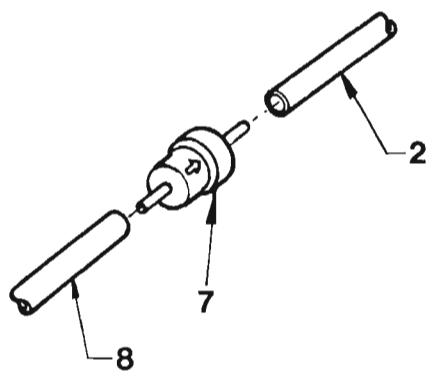
VIEW **A**



VIEW **B**



VIEW **C**

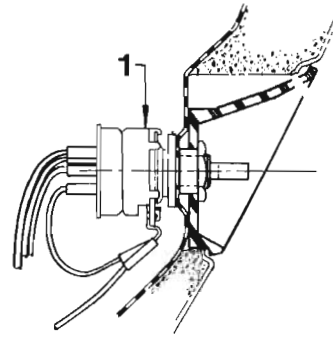
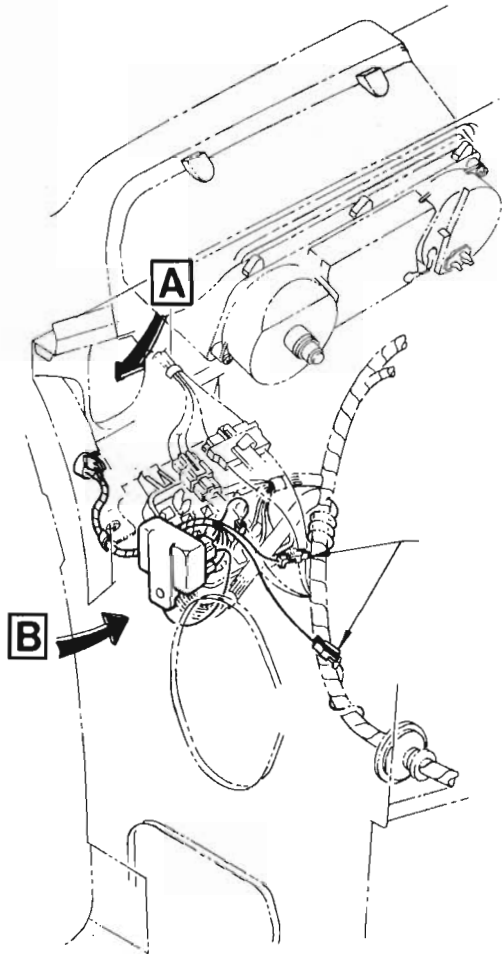


VIEW **D**

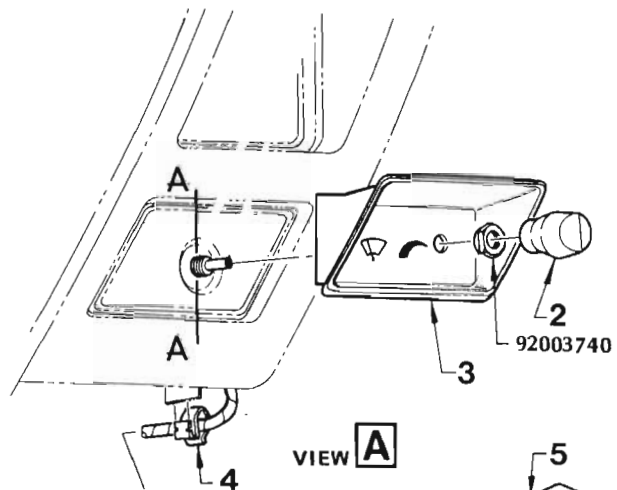
**WINDSHIELD WASHER**

ILLUS. REF. NO.	PART NAME	GROUP
1.	NOZZLE ASSEMBLY .....	10.156
2.	HOSE - Valve to tee .....	10.155
3.	TEE - Hose .....	10.155
4.	HOSE - Tee to nozzle - Right hand .....	10.155
5.	HOSE - Tee to nozzle - Left hand .....	10.155
6.	RESERVOIR ASSEMBLY .....	10.154
7.	VALVE ASSEMBLY - Non return .....	10.153
8.	HOSE - Reservoir to valve .....	10.155

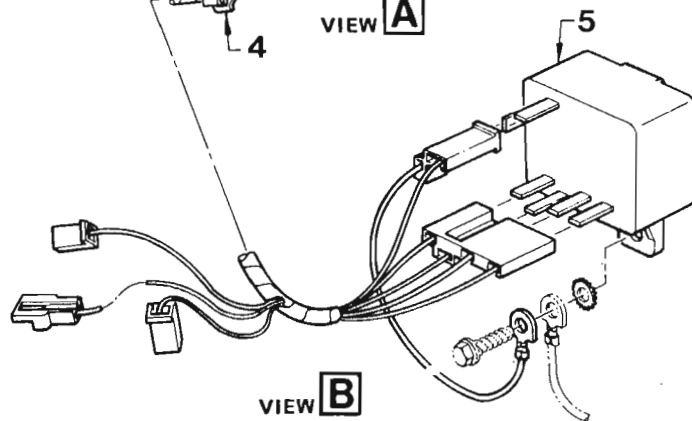




SECTION A-A



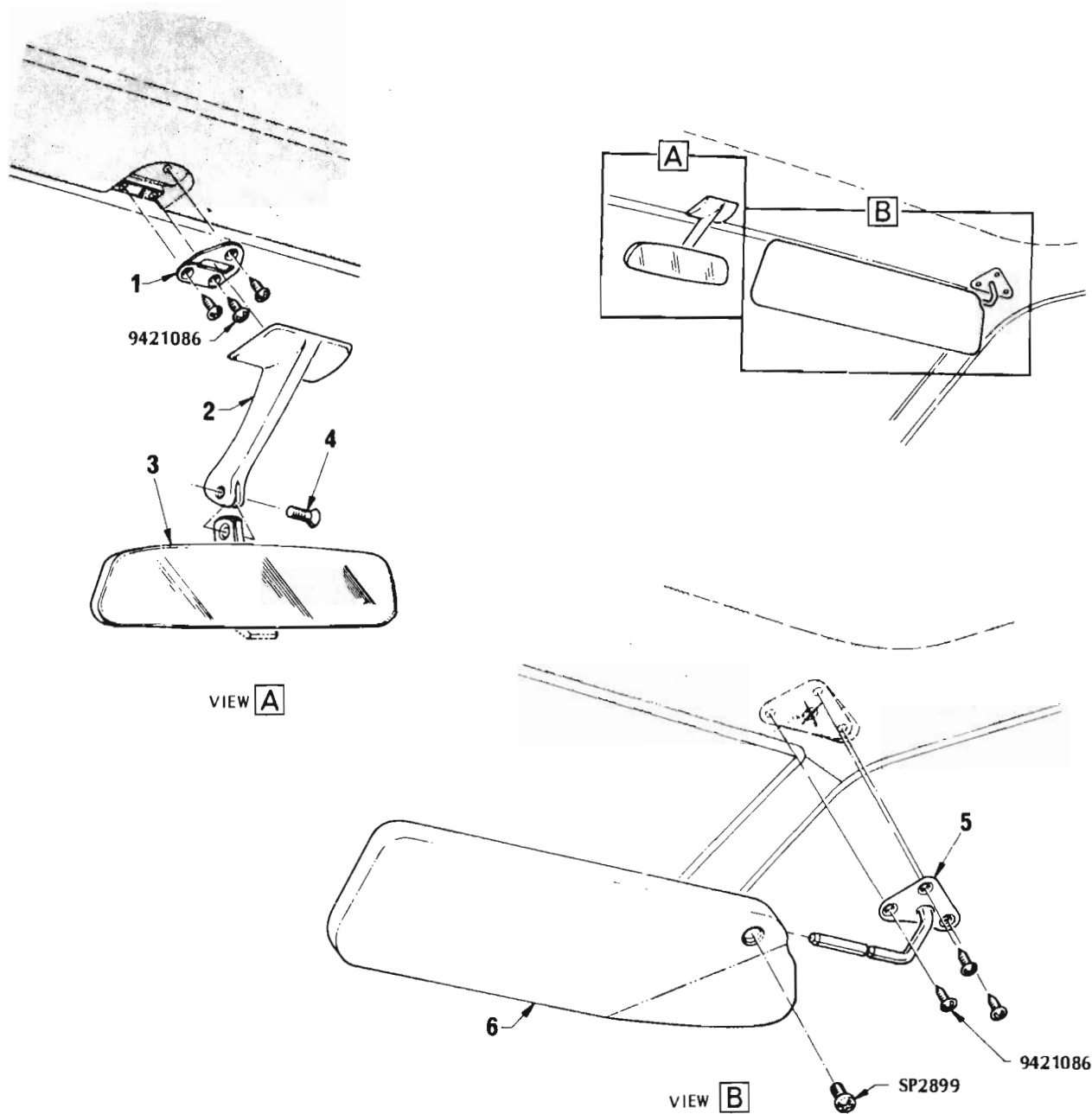
VIEW A



VIEW B

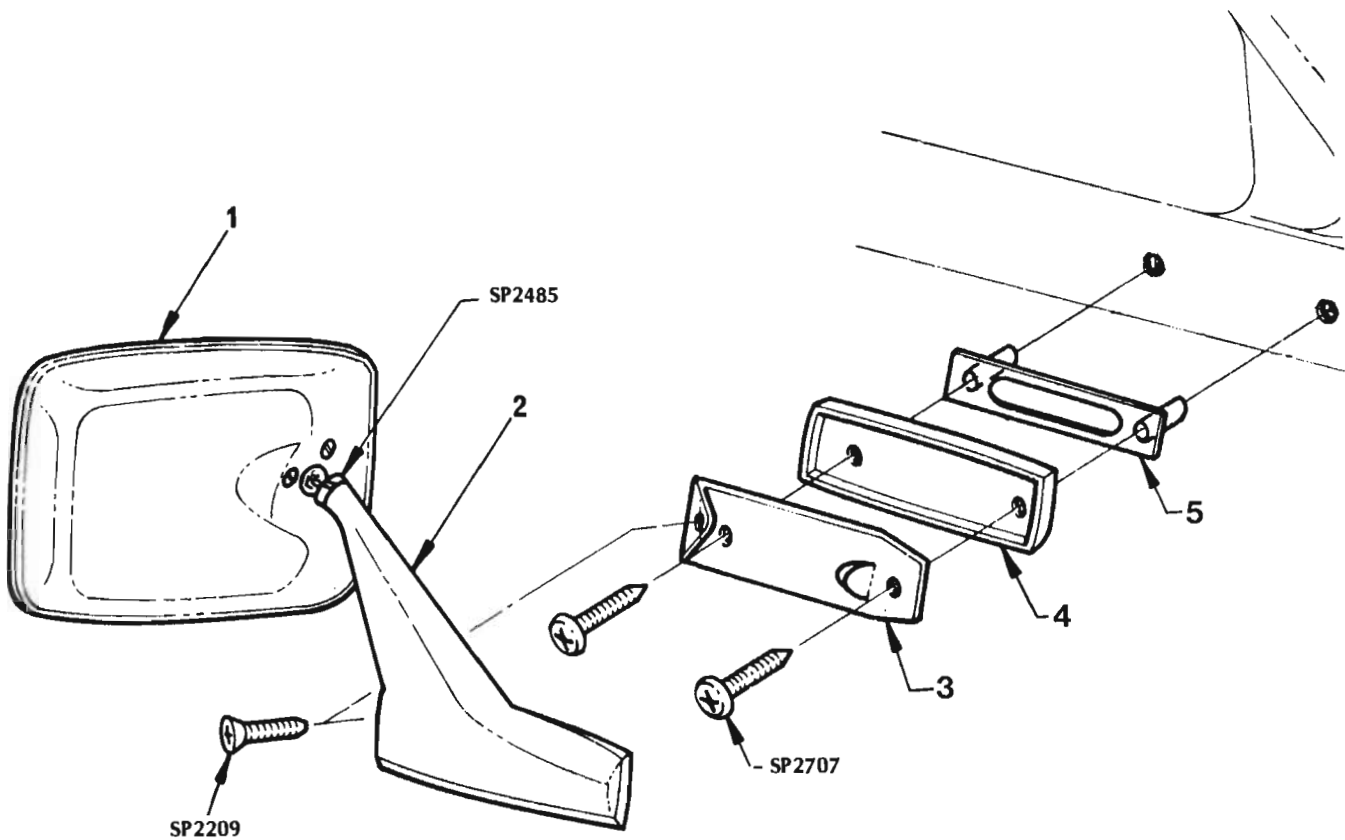
WINDSHIELD WIPER DWELL CONTROL

ILLUS. REF. NO.	PART NAME	GROUP
1.	POTENTIOMETER & HARNESS ASSEMBLY .....	10.163
2.	KNOB ASSEMBLY - Dwell control switch .....	10.163
3.	ESCUTCHEON - Dwell control switch .....	10.163
4.	CLIP - Harness to instrument panel .....	10.163
5.	CONTROL UNIT .....	10.163



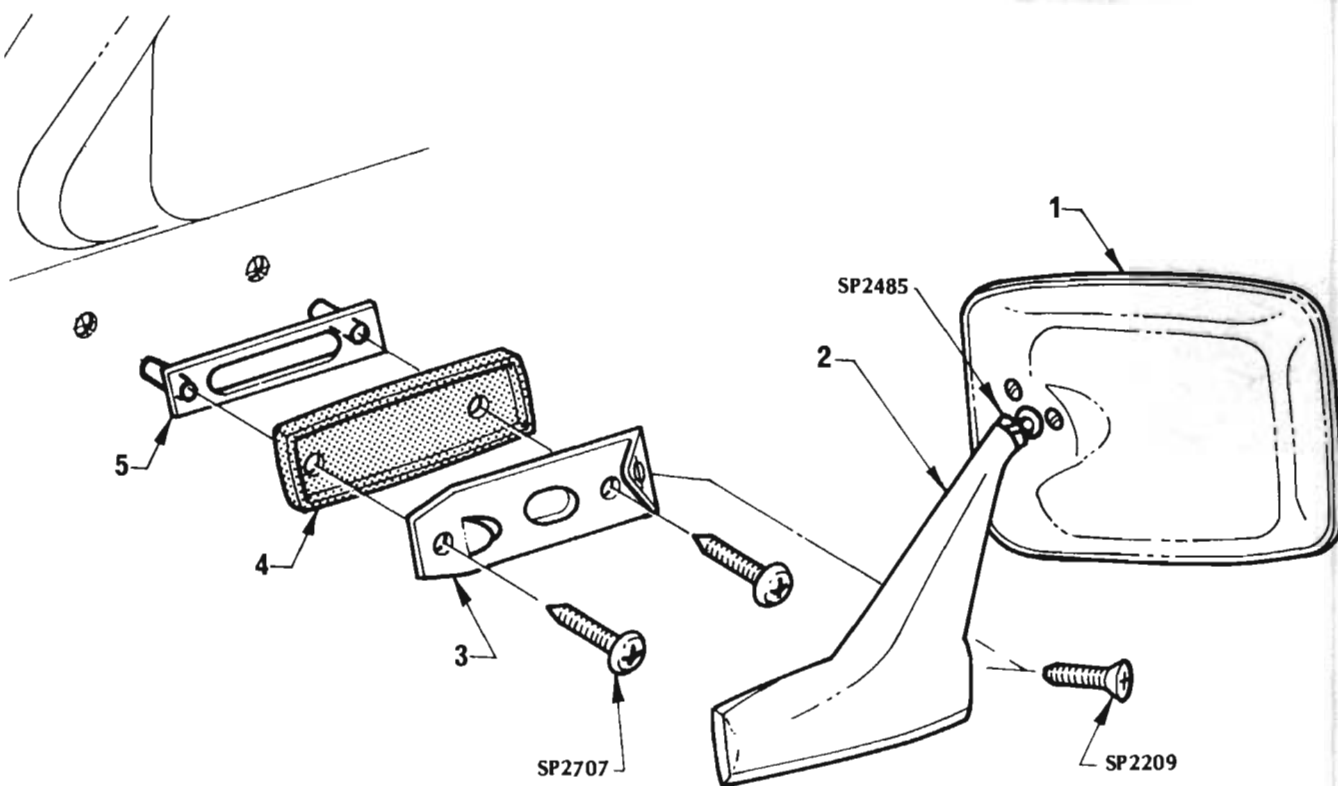
SUN VISOR AND INTERIOR MIRROR

ILLUS. REF. NO.	PART NAME	GROUP
1.	PLATE — Support mounting .....	10.187
2.	SUPPORT ASSEMBLY — Interior .....	10.187
3.	MIRROR ASSEMBLY — Interior .....	10.185
4.	SCREW — Mirror pivot .....	10.185
5.	SUPPORT & PIVOT ASSEMBLY .....	10.219
6.	SUN VISOR ASSEMBLY .....	10.203

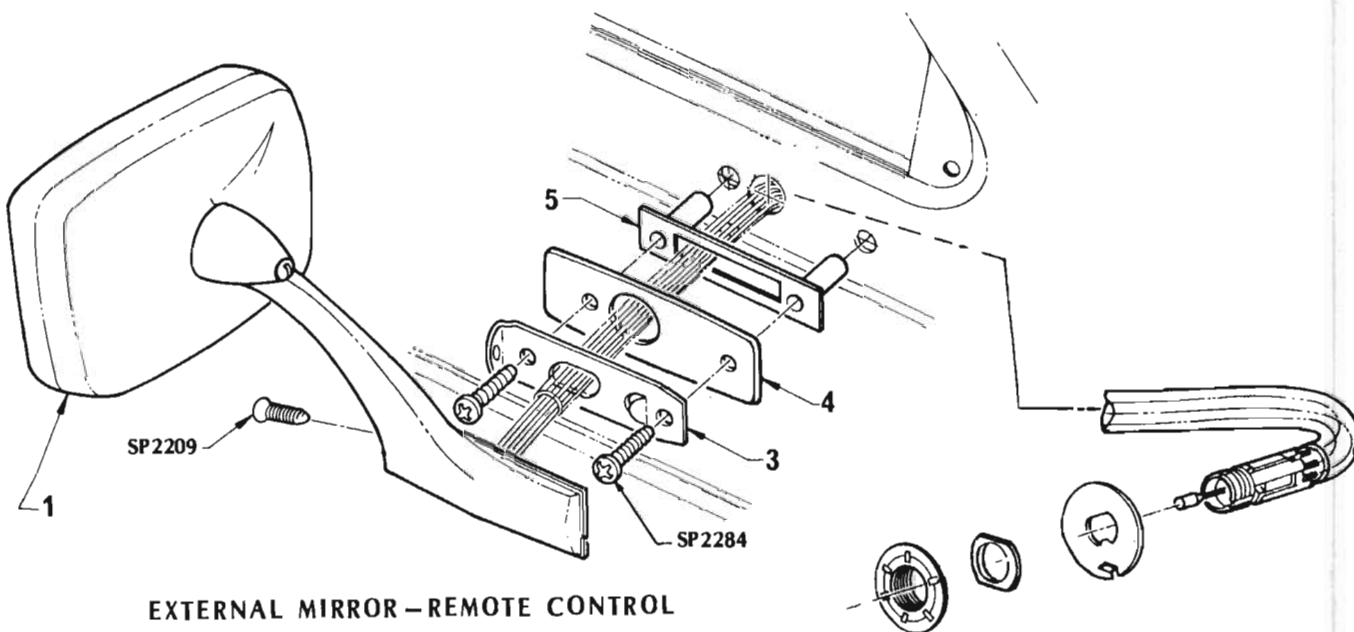


**FRONT DOOR MIRROR  
STANDARD TYPE**

ILLUS. REF. NO.	PART NAME	GROUP
1.	MIRROR ASSEMBLY – Exterior .....	10.185
2.	SUPPORT ASSEMBLY – Exterior .....	10.187
3.	BRACKET – Exterior mirror mounting .....	10.187
4.	PAD – Exterior mirror mounting .....	10.187
5.	NUT – Mounting twin .....	10.187

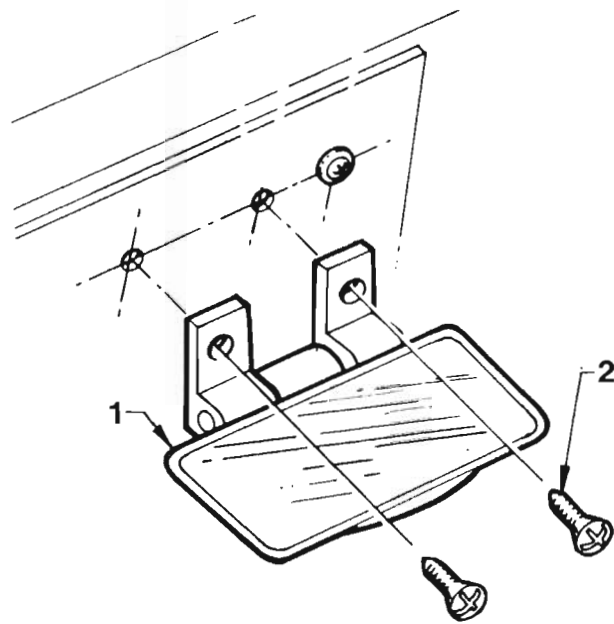
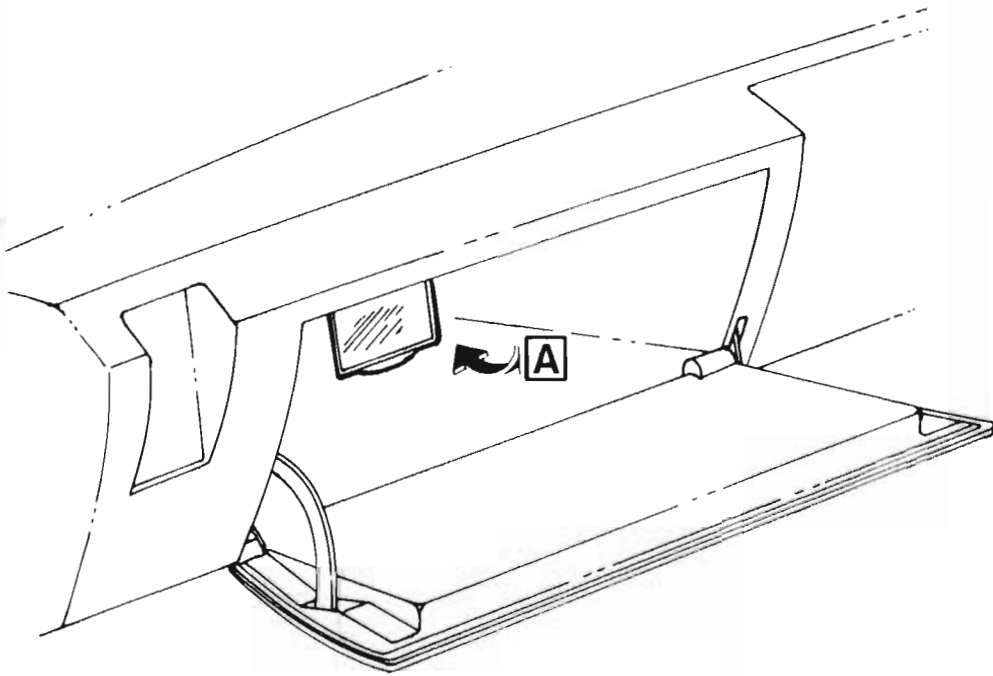


EXTERNAL MIRROR L.H. PACKAGE



EXTERNAL MIRROR - REMOTE CONTROL

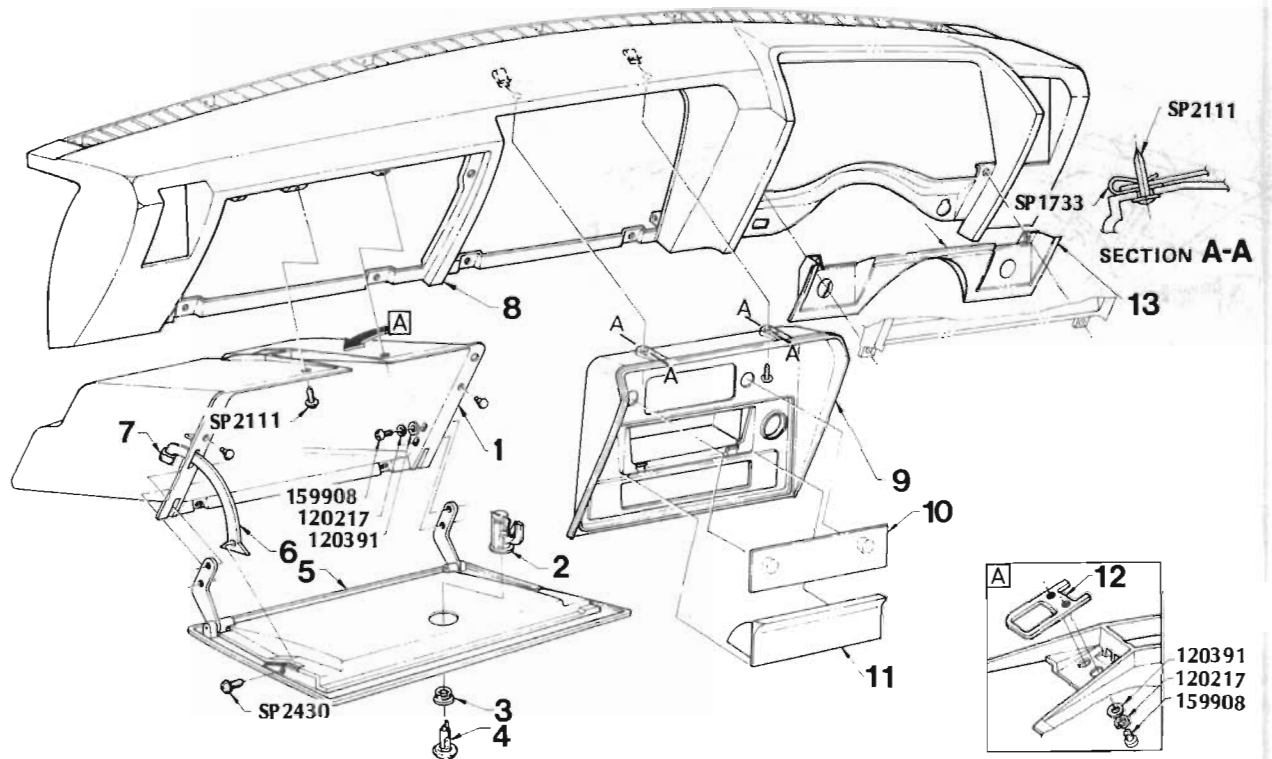
ILLUS. REF. NO.	PART NAME	GROUP
1.	MIRROR ASSY. - Exterior .....	10.185
2.	SUPPORT ASSY. - Exterior .....	10.187
3.	BRACKET - Exterior mirror mounting .....	10.187
4.	PAD - Exterior mirror mounting .....	10.187
5.	NUT - Mounting twin .....	10.187



VIEW **A**

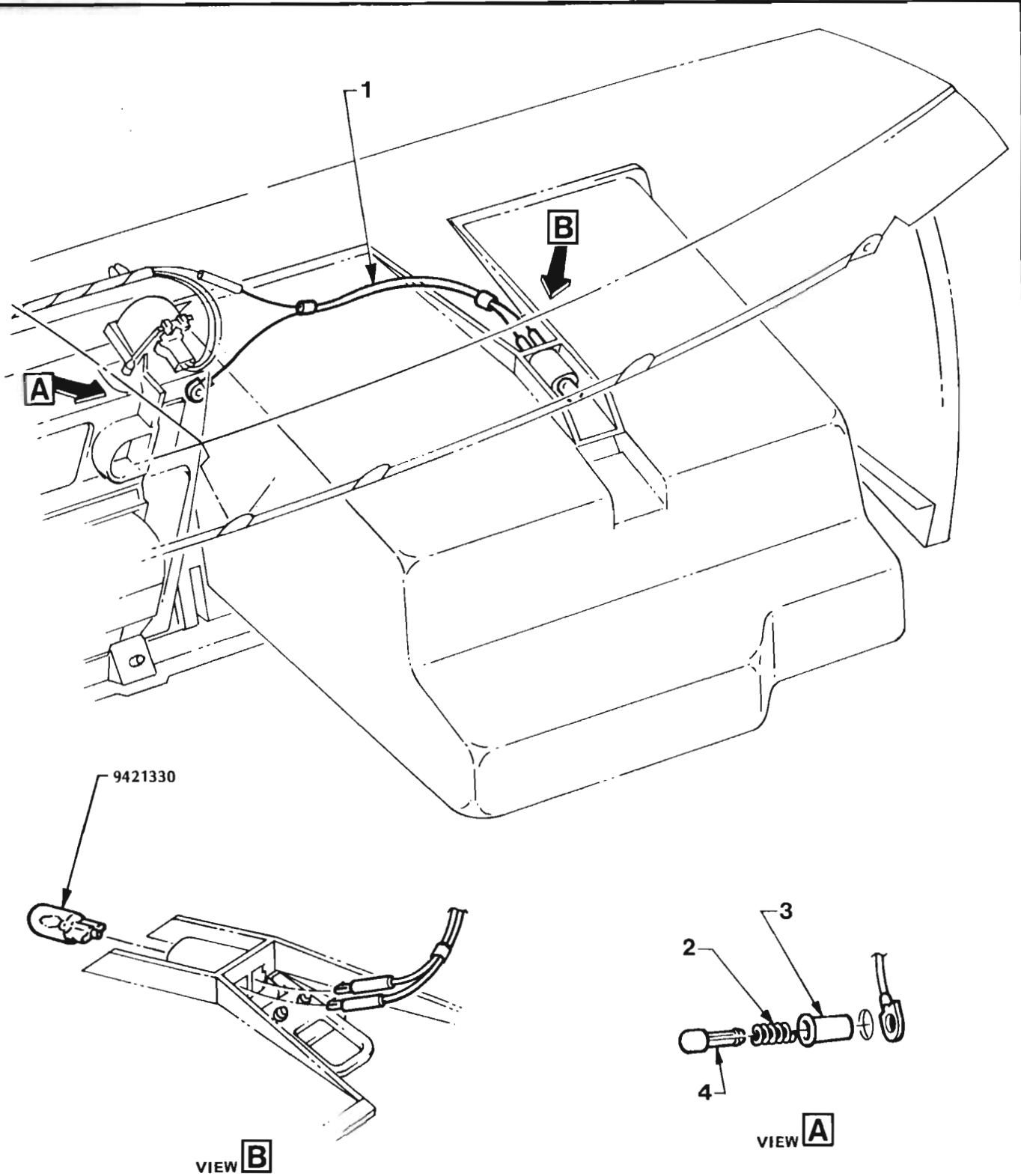
**VANITY MIRROR**

ILLUS. REF. NO.	PART NAME	GROUP
1.	MIRROR PACKAGE .....	10.222
2.	SCREW – Mirror to instrument panel .....	10.222



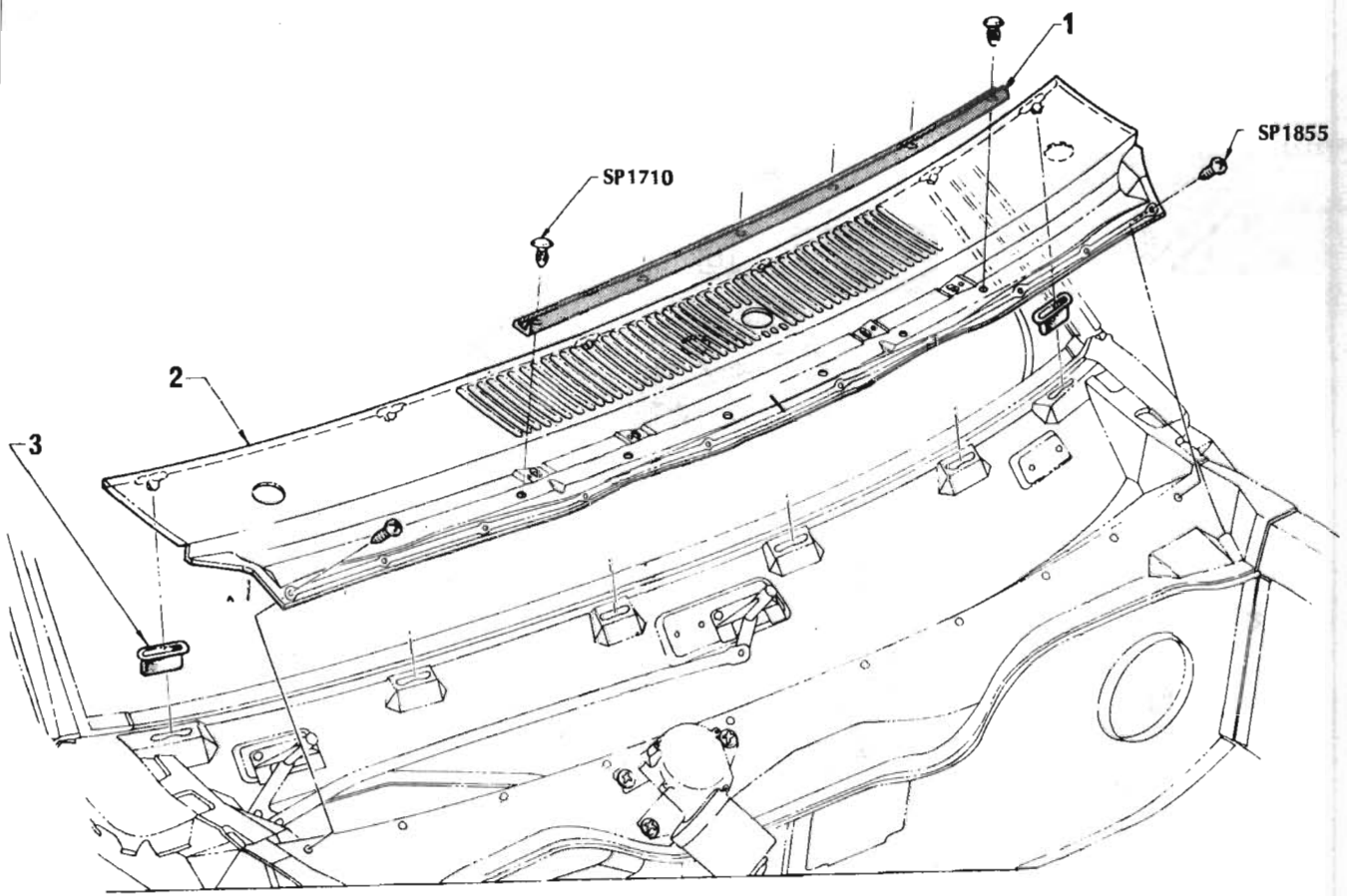
**INSTRUMENT PANEL COMPARTMENT AND FACIA**

ILLUS. REF. NO.	PART NAME	GROUP
1.	COMPARTMENT ASSEMBLY .....	10.260
2.	CASE - Lock .....	10.266
3.	ESCUTCHEON - Lock .....	10.266
4.	BARREL - Lock .....	N.S.S.
2-4	LOCK ASSEMBLY .....	10.266
5.	DOOR ASSEMBLY - Compartment .....	10.261
6.	STOP - Door .....	10.263
7.	BUMPER - Door stop .....	10.263
8.	PAD - Instrument panel .....	14.655
9.	FACIA - Instrument panel centre .....	10.252
10.	COVER - Radio facia .....	10.256
11.	ASHTRAY .....	12.009
12.	STRIKER - Compartment door lock .....	10.268
13.	FACIA - Instrument panel lower .....	10.252



INSTRUMENT PANEL COMPARTMENT LAMP

ILLUS. REF. NO.	PART NAME	GROUP
1.	LEAD ASSEMBLY .....	10.270
2.	SPRING - Switch .....	10.270
3.	BODY - Switch .....	10.270
4.	PLUNGER - Switch .....	10.270

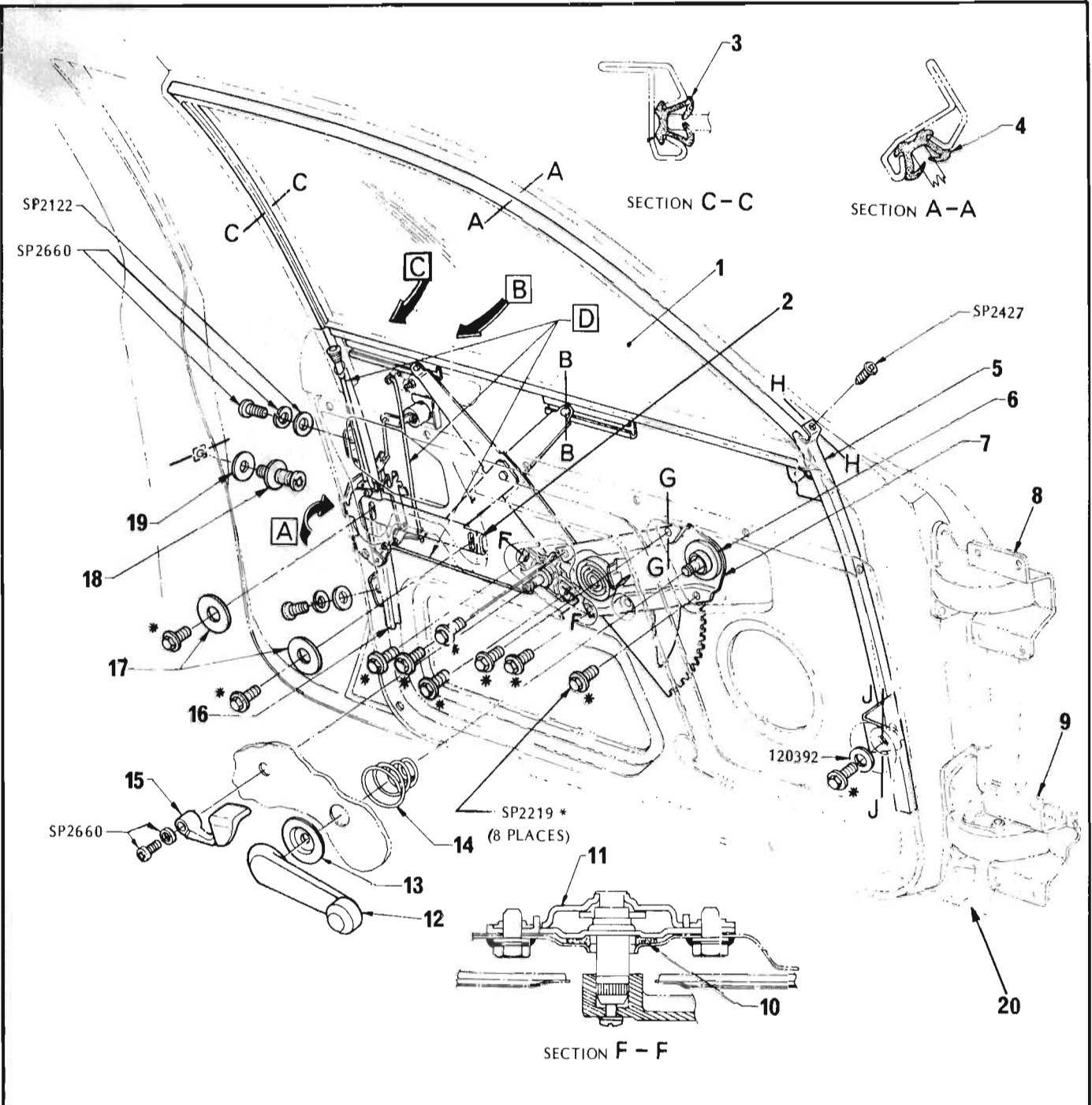


**GRILLE AND LACING**

ILLUS. REF. NO.	PART NAME	GROUP
1.	LACING – Hood ledge .....	9.127
2.	GRILLE – Shroud ventilator .....	10.307
3.	SEAL – Grille .....	10.307



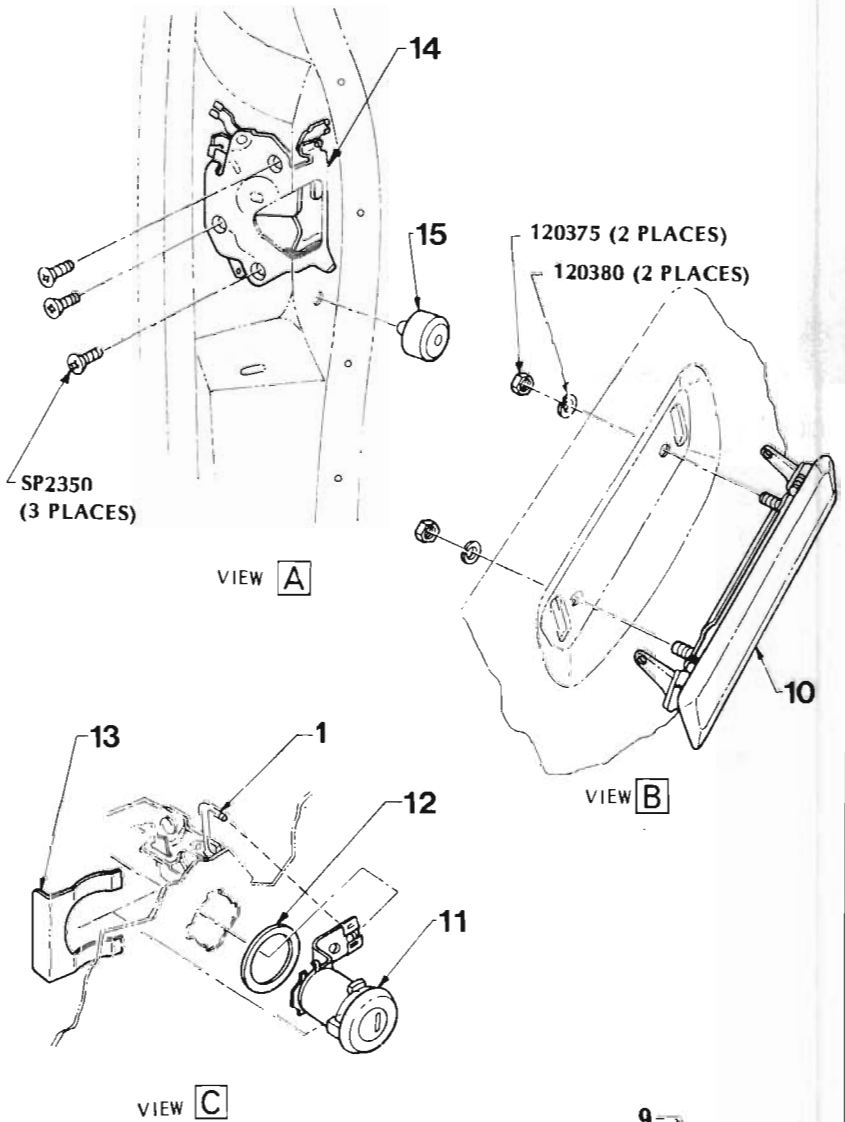
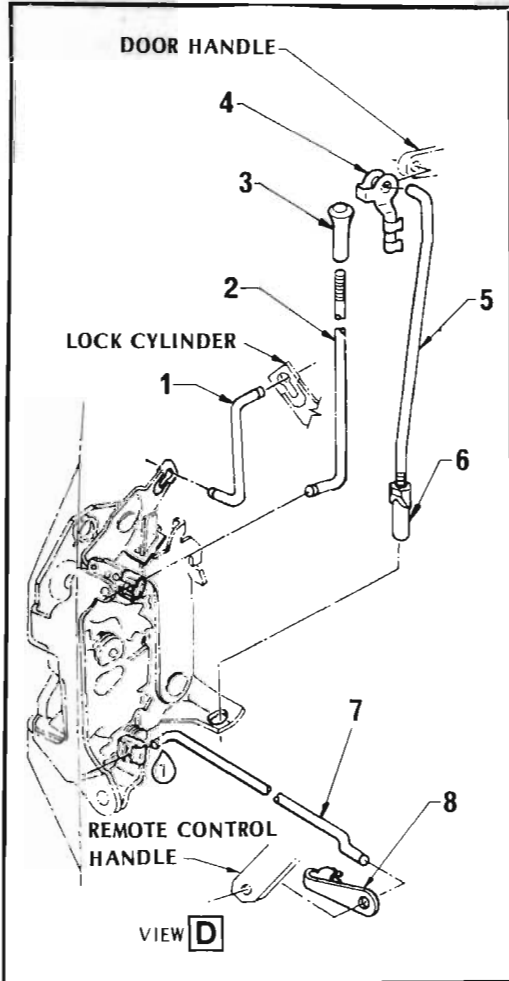
**"UC" TORANA/HOLDEN SUNBIRD PARTS CATALOGUE**



**FRONT DOOR HARDWARE—69 BODY STYLE**

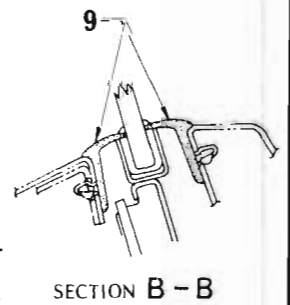
Sections & Views on Illustration Opposite

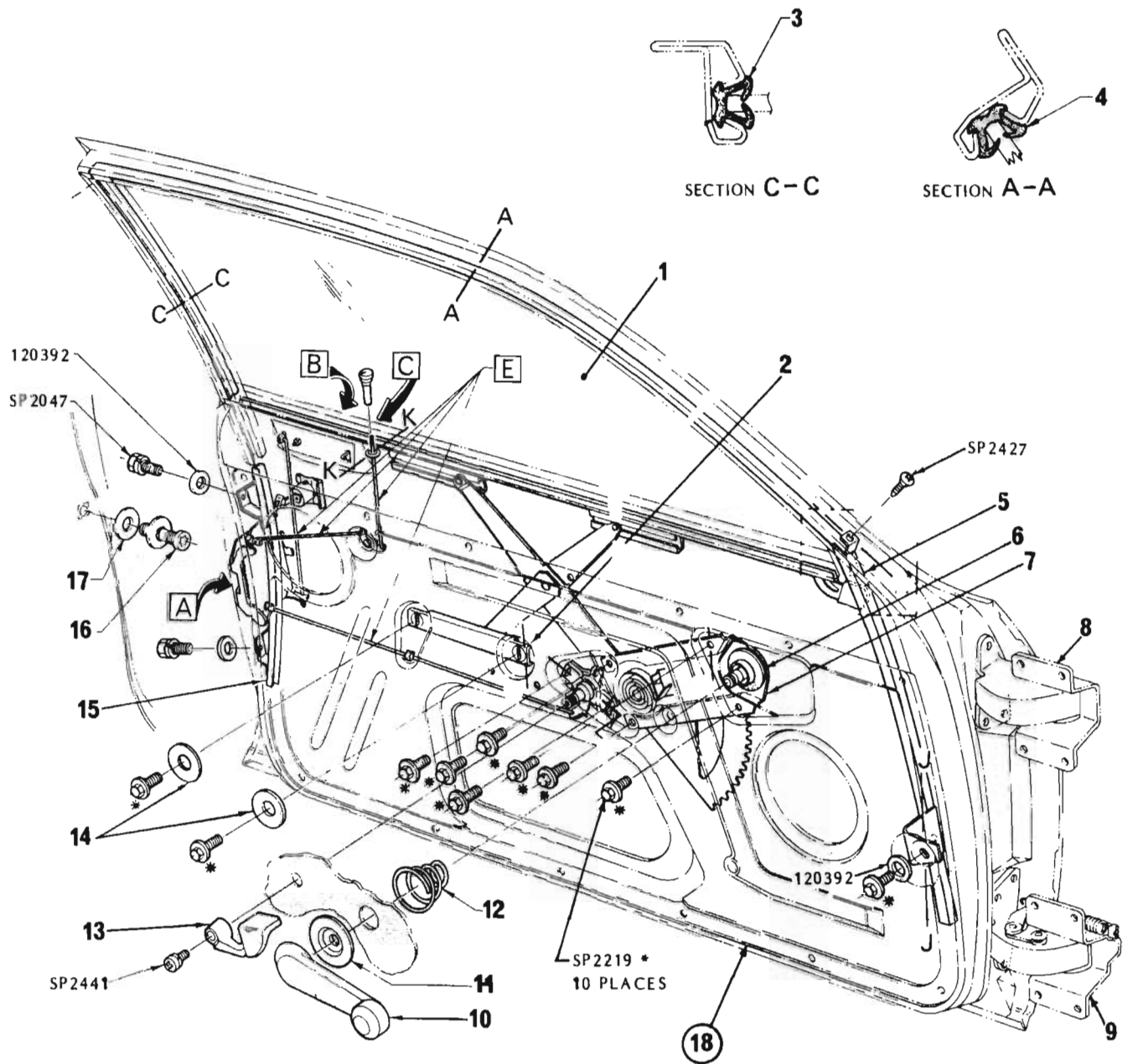
ILLUS. REF. NO.	PART NAME	GROUP	ILLUS. REF. NO.	PART NAME	GROUP
1.	GLASS — Front door .....	10.681	12.	HANDLE ASSY. ....	10.797
2.	CAM ASSY. — Sliding .....	10.783	13.	PLATE — Handle bearing .....	10.797
3.	CHANNEL — Rear .....	10.701	14.	SPRING .....	10.806
4.	CHANNEL — Front .....	10.701	15.	HANDLE ASSY. — Door remote .....	10.512
5.	RETAINER — Front channel .....	10.701	16.	RETAINER — Rear channel .....	10.701
6.	WASHER — Rubber .....	10.783	17.	WASHER — Cam to door .....	10.783
7.	REGULATOR ASSY. ....	10.783	18.	STRIKER ASSY. ....	10.569
8.	HINGE ASSY. — Upper .....	10.450	19.	SPACER — Striker .....	10.571
9.	HINGE ASSY. — Lower .....	10.454	20.	DOOR ASSY. — Less trim .....	10.351
10.	GASKET — Remote control .....	10.516		PANEL ASSY. ....	12.895
11.	CONTROL ASSY. — Door lock remote .....	10.500		PANEL — Outer .....	12.895



**FRONT DOOR HARDWARE**  
69 BODY STYLES

ILLUS. REF. NO.	PART NAME	GROUP
1.	ROD .....	10.507
2.	ROD - Front .....	10.563
3.	KNOB - Front .....	10.559
4.	CLIP - Handle to lock connecting rod .....	10.529
5.	ROD - Front handle to lock connecting .....	10.529
6.	NUT - Rod adjusting .....	10.529
7.	ROD - Front door connecting .....	10.506
8.	CLIP - Front door retaining .....	10.506
9.	WEATHERSTRIP .....	10.710
10.	HANDLE .....	10.527
11.	BARREL ASSEMBLY .....	10.550
12.	GASKET - Door lock cylinder .....	10.550
13.	RETAINER .....	10.553
14.	LOCK & SEAL ASSEMBLY .....	10.470
15.	BUMPER .....	10.587

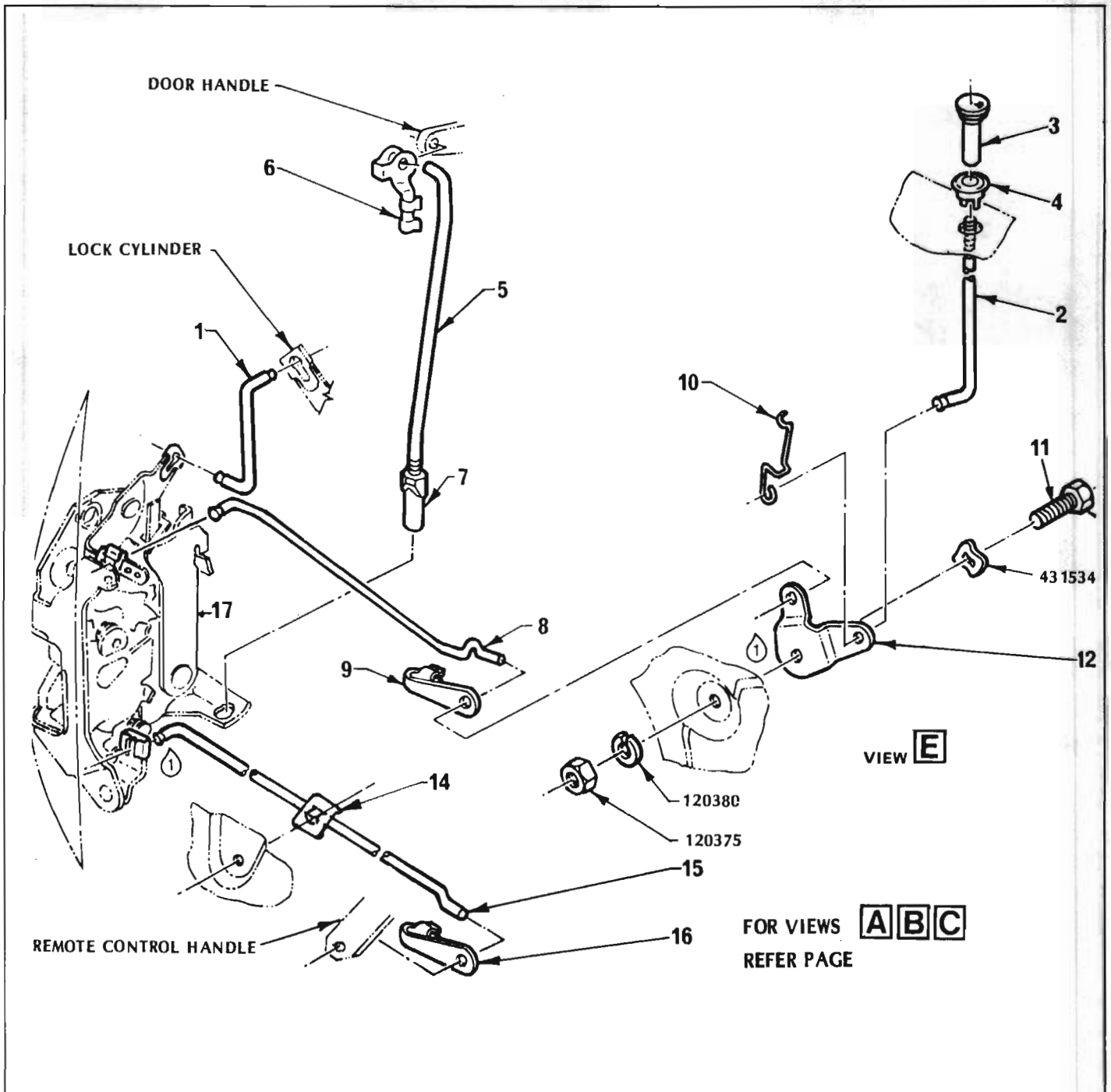




VIEWS ON ILLUSTRATION OPPOSITE

**FRONT DOOR HARDWARE**  
77 Body Styles

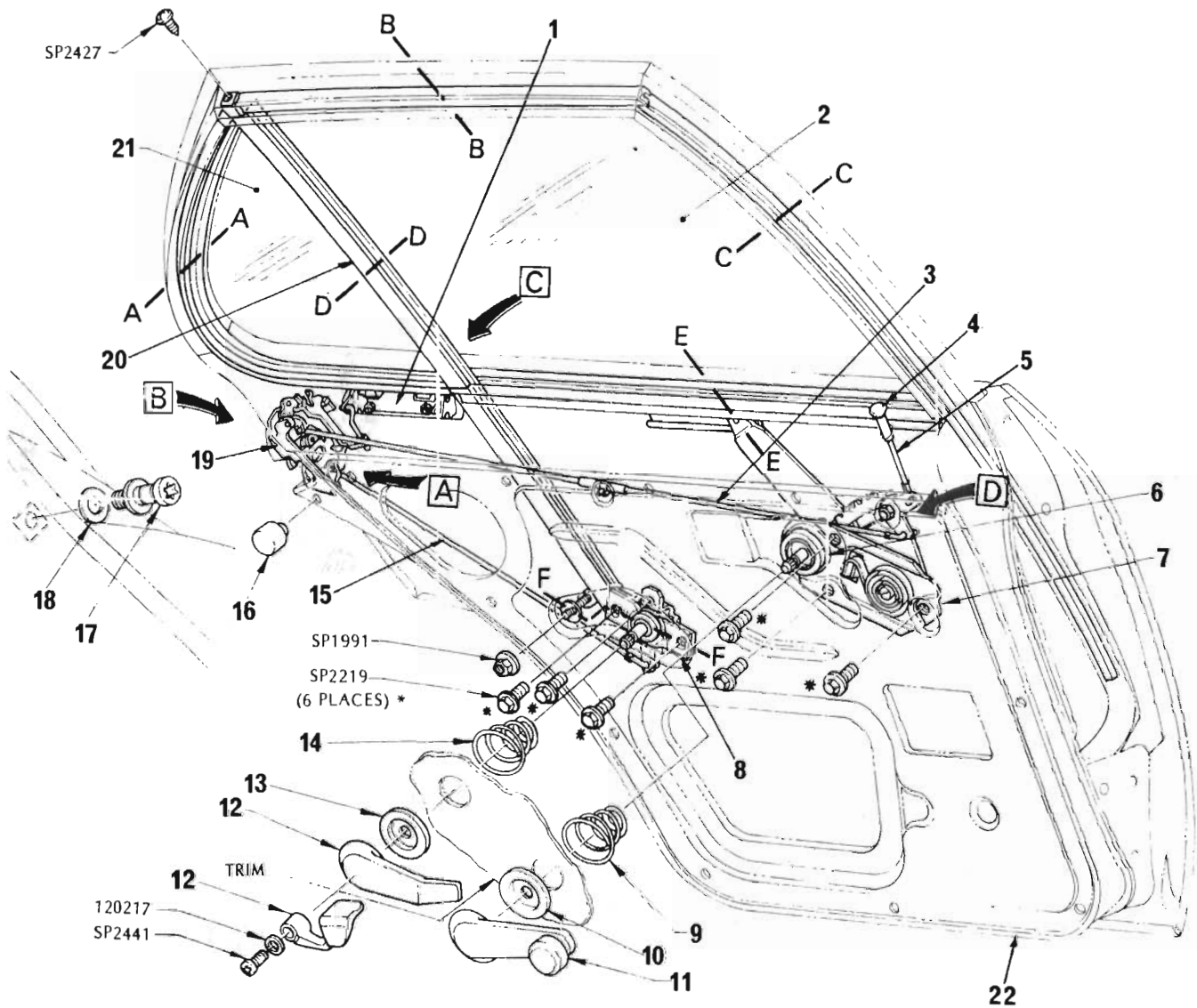
ILLUS. REF. NO.	PART NAME	GROUP	ILLUS. REF. NO.	PART NAME	GROUP
1.	GLASS - Front door .....	10.681	11.	PLATE - Handle bearing.....	10.787
2.	CAM ASSEMBLY - Sliding .....	10.783	12.	SPRING .....	10.806
3.	CHANNEL - Rear .....	10.701	13.	HANDLE ASSEMBLY - Door remote .....	10.512
4.	CHANNEL - Front .....	10.701	14.	WASHER - Cam to door.....	10.783
5.	RETAINER - Front channel .....	10.701	15.	RETAINER - Rear channel .....	10.701
6.	WASHER - Rubber .....	10.783	16.	STRIKER ASSEMBLY .....	10.569
7.	REGULATOR ASSEMBLY .....	10.783	17.	SPACER - Striker .....	10.571
8.	HINGE ASSEMBLY - Upper .....	10.450	18.	DOOR ASSY. - Less trim.....	10.351
9.	HINGE ASSEMBLY - Lower .....	10.454		PANEL ASSEMBLY .....	12.895
10.	HANDLE ASSEMBLY .....	10.787		PANEL OUTER .....	12.895



**FRONT DOOR LOCK and REMOTE CONTROL**  
77 Body Styles

SECTIONS & VIEWS FROM ILLUSTRATION OPPOSITE

ILLUS. REF. NO.	PART NAME	GROUP	ILLUS. REF. NO.	PART NAME	GROUP
1.	ROD - Lock cylinder to lock .....	10.507	10.	CLIP - Locking rod to lever.....	10.563
2.	ROD - Front .....	10.563	11.	BOLT - Inside locking lever to door ....	10.556
3.	KNOB - Front rod .....	10.559	12.	LEVER - Door inside locking .....	10.556
4.	FERRULE - Front rod knob .....	10.559	13.	SILL - Connecting rod .....	N.S.S.
5.	ROD - Front handle to lock .....	10.529	14.	CLIP - Anti-rattle .....	10.556
6.	CLIP - Handle to lock connecting rod ....	10.529	15.	ROD - Remote control to lock .....	10.506
7.	NUT - Rod adjusting .....	10.529	16.	CLIP - Locking conn. rod to lever .....	10.556
8.	ROD - Locking lever to lock conn. ....	10.556	17.	LOCK ASSEMBLY .....	10.470
9.	CLIP - Locking conn. rod to lever .....	10.556			

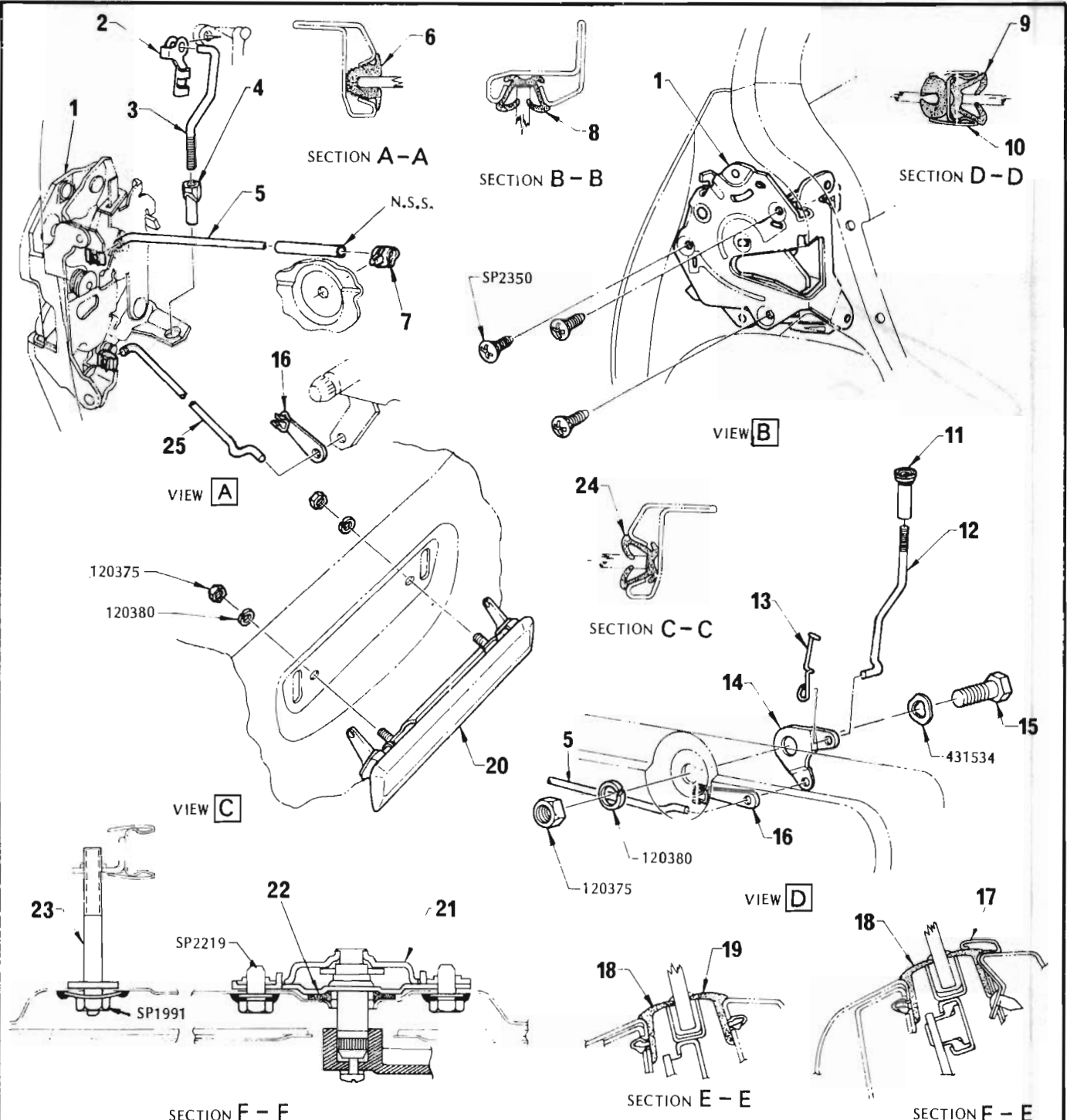


**REAR DOOR HARDWARE—69 BODY STYLE**

Sections & Views on Illustration Opposite

ILLUS. REF. NO.	PART NAME	GROUP	ILLUS. REF. NO.	PART NAME	GROUP
1.	HANDLE — Door outside .....	10.527	13.	PLATE — Remote control handle .....	10.515
2.	GLASS — Door front .....	10.741	14.	SPRING — Remote control handle .....	10.516
3.	ROD — Inside locking .....	10.556	15.	ROD — Connecting .....	10.506
4.	KNOB — Inside locking rod .....	10.559	16.	BUMPER — Door pillar .....	10.587
5.	ROD — Inside locking .....	10.563	17.	STRIKER — Door lock .....	10.569
6.	WASHER — Rubber .....	10.783	18.	SPACER — Door lock striker .....	10.571
7.	REGULATOR — Window .....	10.783	19.	LOCK & SEAL ASSY. — Door .....	10.473
8.	CONTROL — Lock remote .....	10.500	20.	CHANNEL — Glass division .....	10.829
9.	SPRING — Regulator handle .....	10.806	21.	GLASS — Door rear .....	10.827
10.	PLATE — Regulator handle .....	10.797	22.	DOOR ASSY. — Less trim .....	10.373
11.	HANDLE — Window regulator .....	10.797		PANEL ASSY. .....	12.913
12.	HANDLE — Door remote .....	10.512		PANEL — Outer .....	12.913

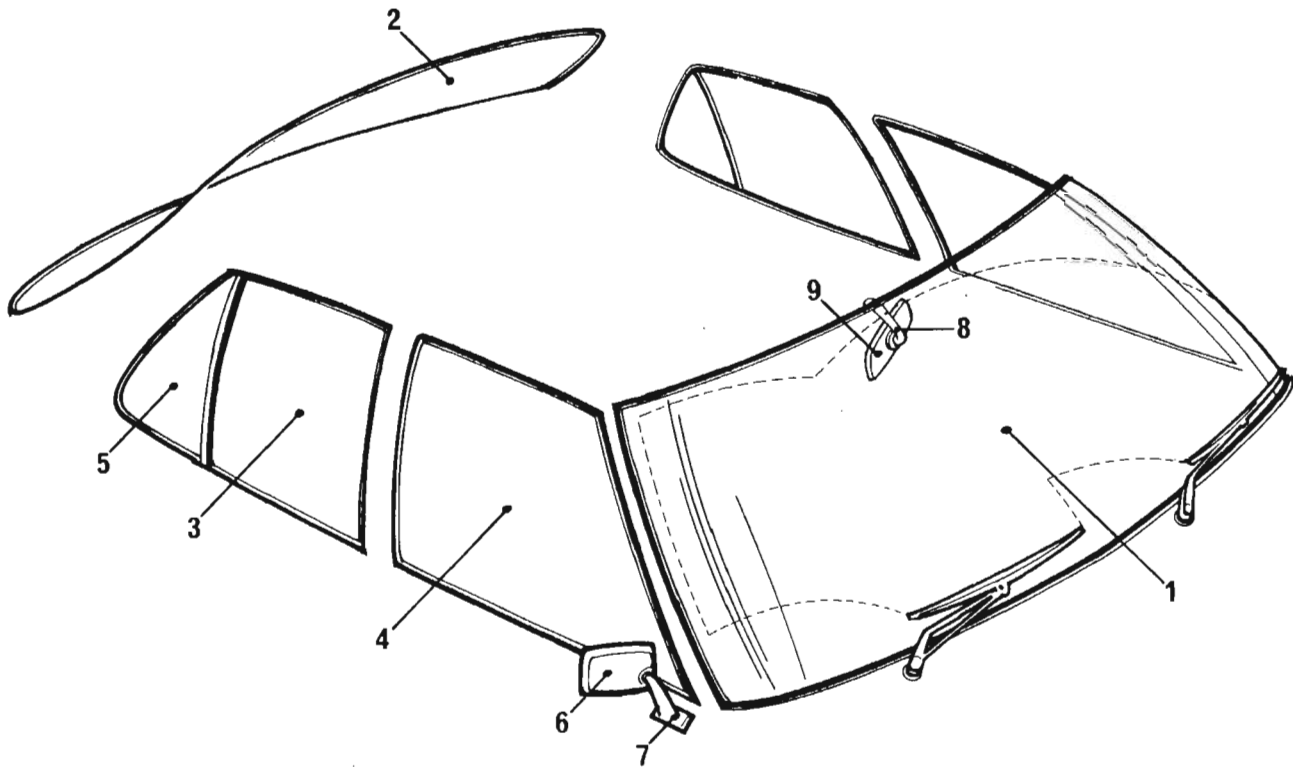
**"UC" TORANA/HOLDEN SUNBIRD PARTS CATALOGUE**



**REAR DOOR HARDWARE  
69 BODY STYLE**

SECTIONS & VIEWS FROM ILLUSTRATION OPPOSITE

ILLUS. REF. NO.	PART NAME	GROUP	ILLUS. REF. NO.	PART NAME	GROUP
1.	LOCK & SEAL ASSY. ....	10.473	14.	LEVER - Inside locking .....	10.556
2.	CLIP - Handle to conn. rod .....	10.529	15.	BOLT - Locking lever .....	10.556
3.	ROD - Handle to lock conn. ....	10.529	16.	CLIP - Rod to lever .....	10.556
4.	NUT - Rod adjusting .....	10.529	17.	WEATHERSTRIP - Door outer .....	10.710
5.	ROD - Door inside locking .....	10.556	18.	WEATHERSTRIP - Door inner .....	10.710
6.	WEATHERSTRIP - Rear glass .....	10.822	19.	MOULDING & WEATHERSTRIP - Door belt ....	12.114
7.	CLIP - Anti-rattle .....	10.556	20.	HANDLE - Door outside .....	10.527
8.	CHANNEL - Glass run - upper .....	10.759	21.	CONTROL - Door lock remote .....	10.500
9.	CHANNEL - Glass run - rear .....	10.759	22.	GASKET - Remote control .....	10.516
10.	CHANNEL ASSY. - Glass division .....	10.829	23.	BOLT - Channel to door .....	10.829
11.	KNOB - Inside locking rod .....	10.559	24.	CHANNEL - Glass run - front .....	10.759
12.	ROD - Inside locking .....	10.563	25.	ROD - Connecting .....	10.506
13.	CLIP - Inside locking rod .....	10.563			

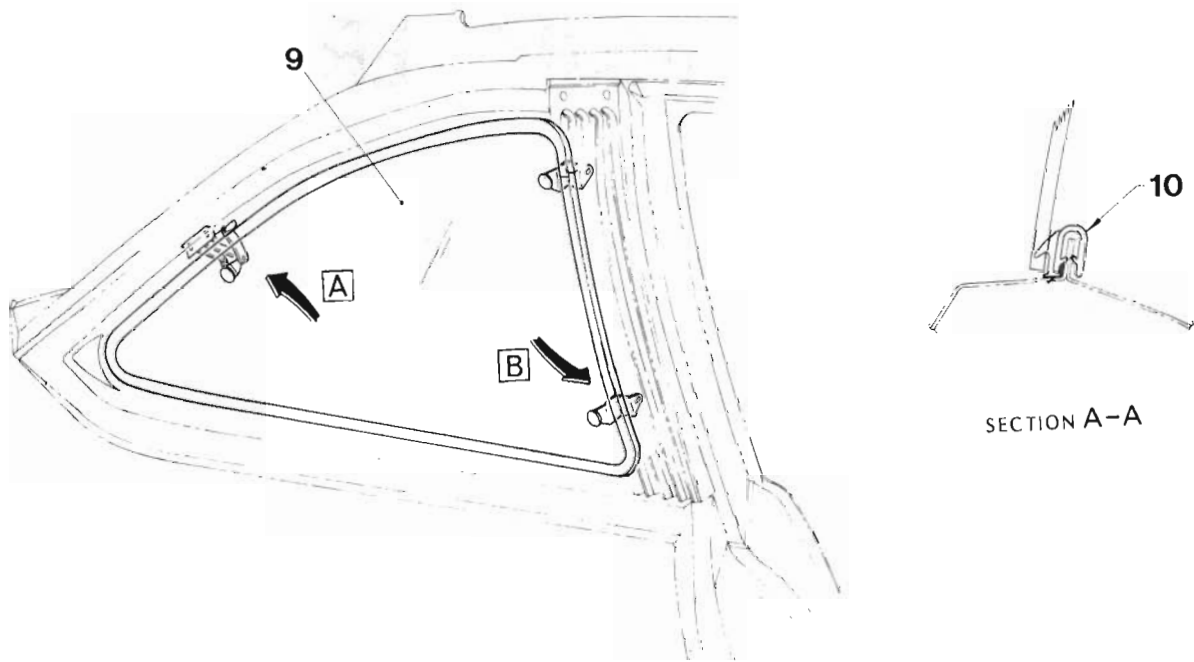
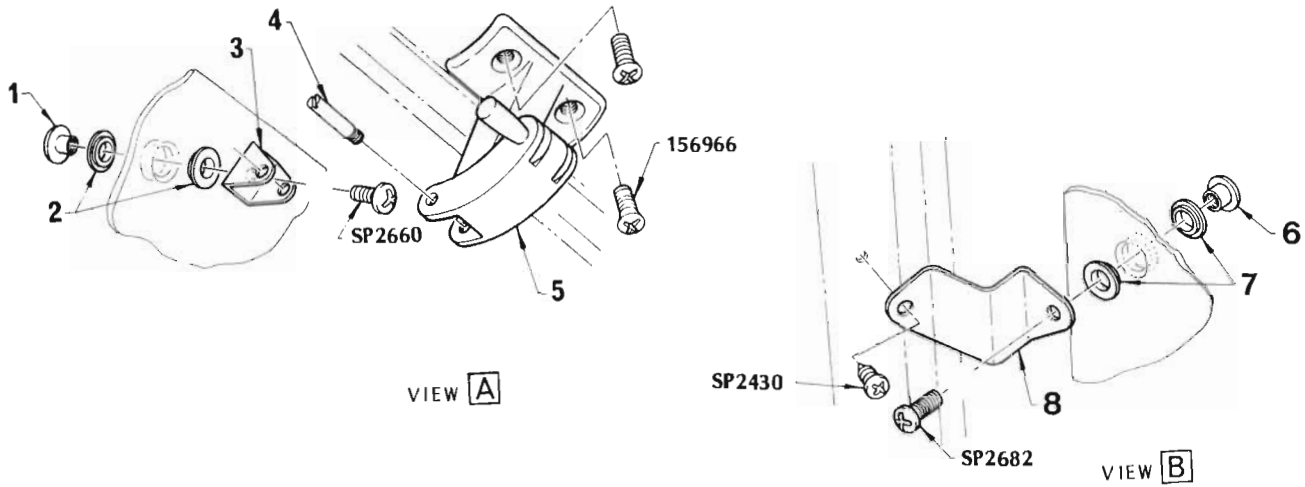


**GLASS**  
**69 BODY STYLES**

ILLUS. REF. NO.	PART NAME	GROUP
1.	GLASS - Windshield .....	10.027
2.	GLASS - Rear window .....	11.204
3.	GLASS - Rear door .....	10.741
4.	GLASS - Front door .....	10.681
5.	GLASS - Rear door rear .....	10.827
6.	MIRROR - Rear vision - Exterior .....	10.185
7.	SUPPORT - Rear vision mirror - Exterior .....	10.187
8.	SUPPORT - Rear vision mirror - Interior .....	10.187
9.	MIRROR - Rear vision - Interior .....	10.185

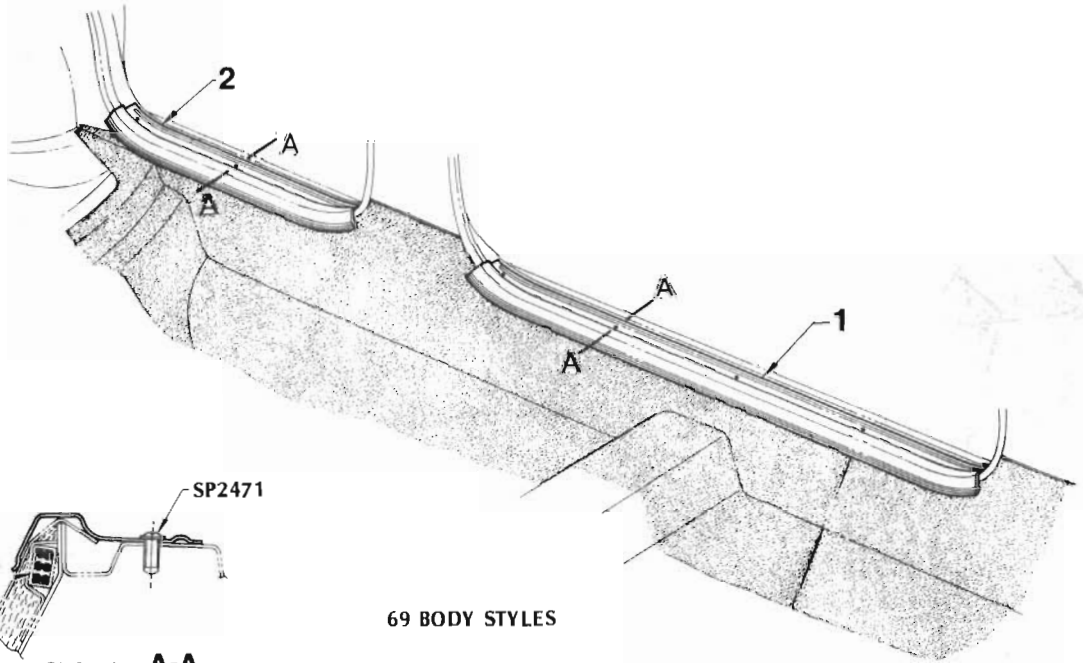
**GROUP 11.000**  
**REAR GLASS**  
**SEAT & ADJUSTER**





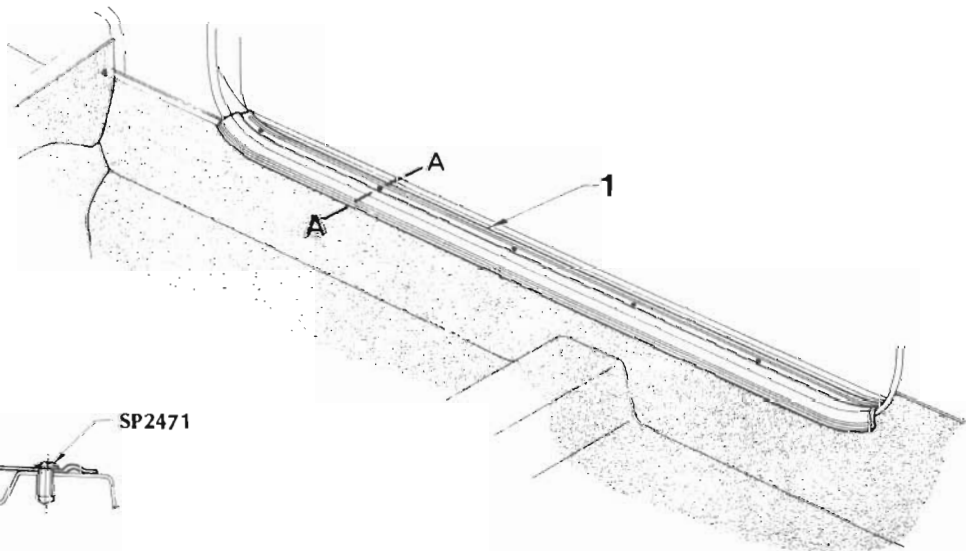
QUARTER WINDOW  
77 BODY STYLE

ILLUS. REF. NO.	PART NAME	GROUP
1.	NUT - Link bracket to glass .....	11.010
2.	GROMMET - Link bracket to glass .....	11.010
3.	BRACKET - Link .....	11.010
4.	PIN - Fastener to glass .....	11.010
5.	FASTENER ASSEMBLY .....	11.010
6.	NUT - Hinge bracket to glass .....	11.010
7.	GROMMET - Hinge bracket to glass .....	11.010
8.	BRACKET - Hinge .....	11.010
9.	GLASS - Rear quarter window .....	11.011
10.	WEATHER STRIP .....	11.015



69 BODY STYLES

SECTION A-A

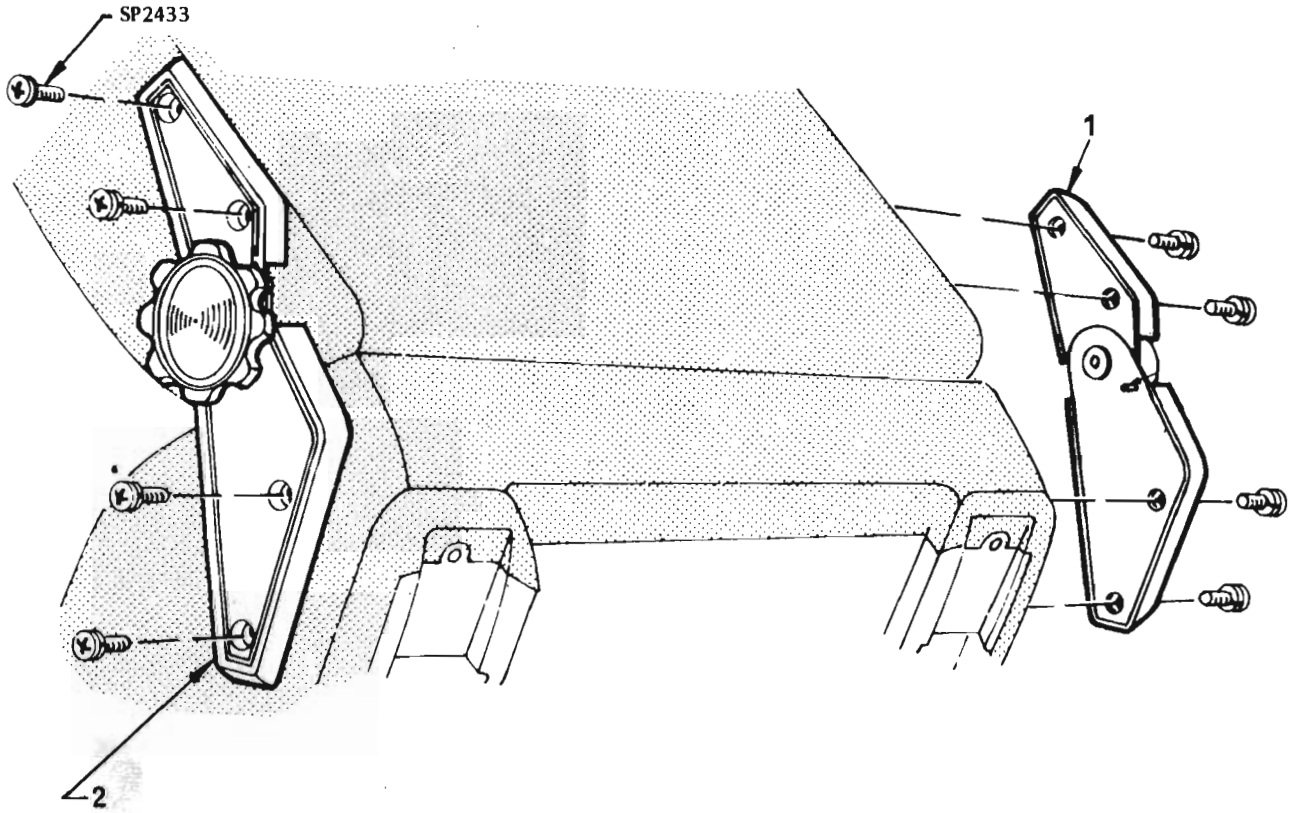


77 BODY STYLES

SECTION A-A

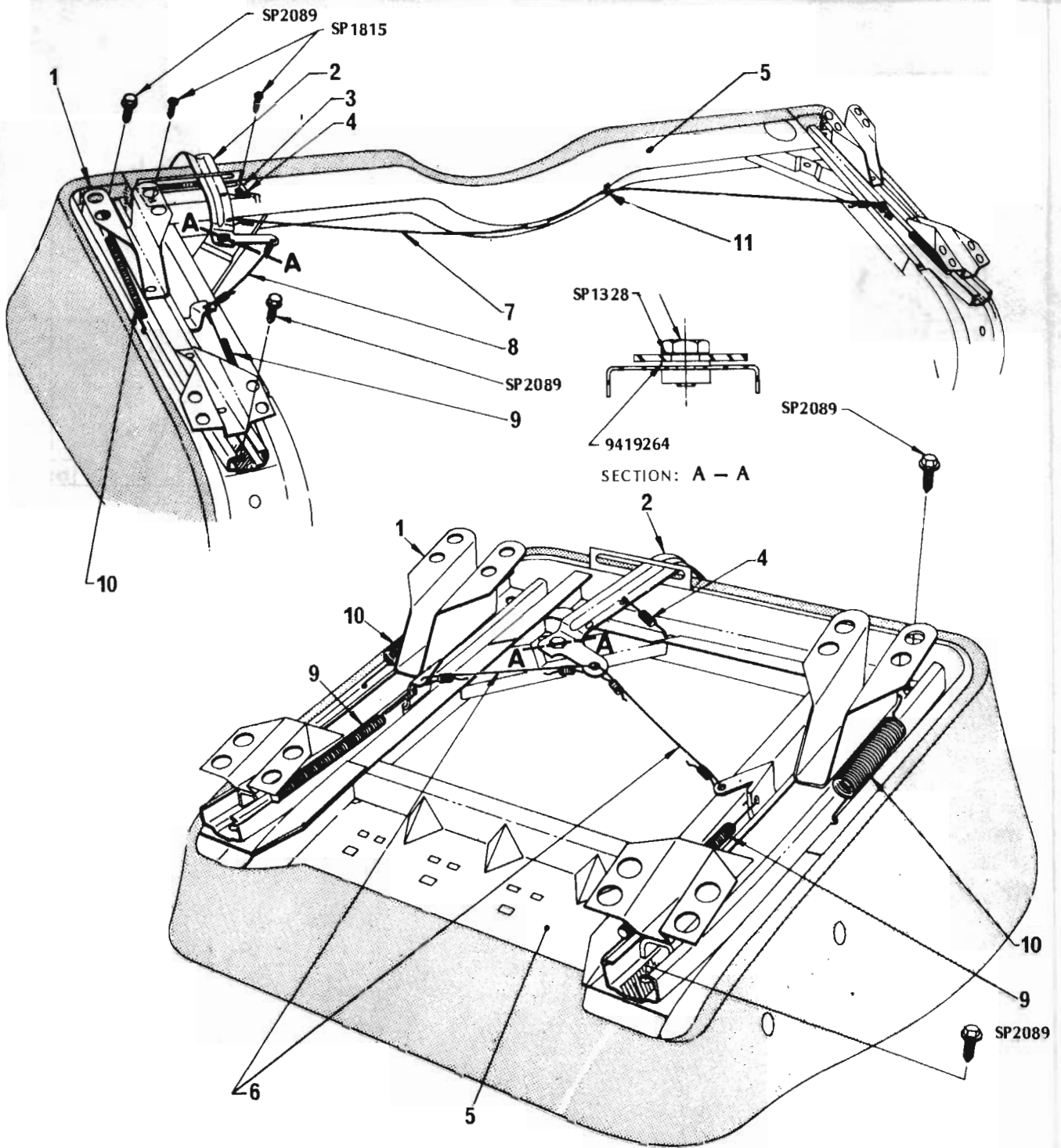
DOOR SCUFF PLATES

ILLUS. REF. NO.	PART NAME	GROUP
1.	PLATE - Front .....	11.175
2.	PLATE - Rear .....	11.179



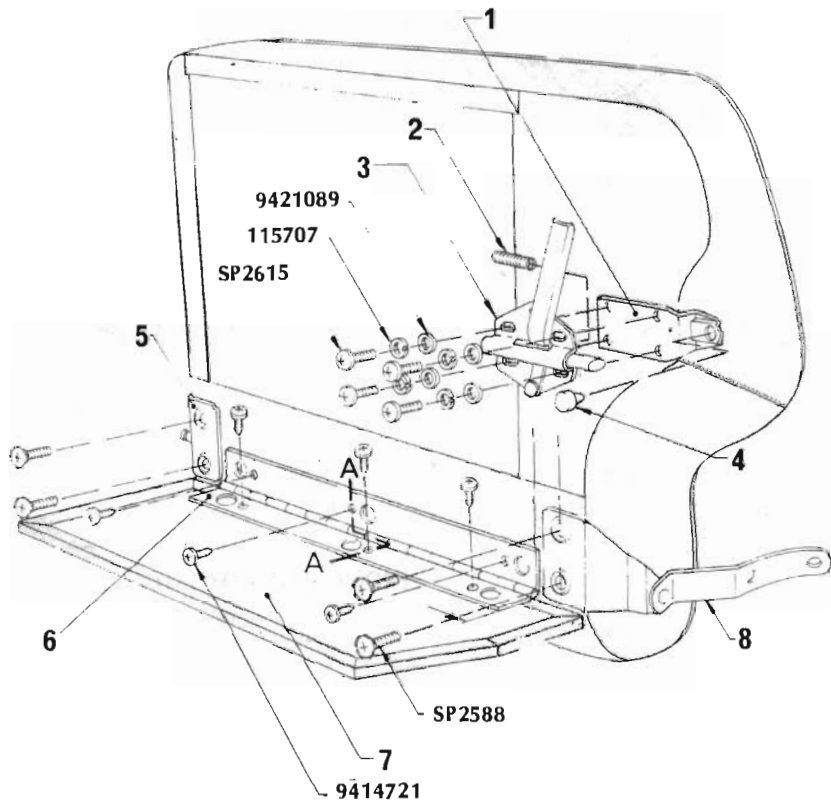
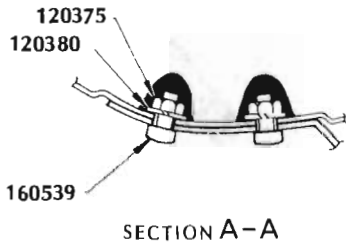
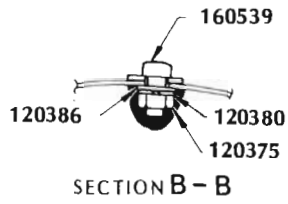
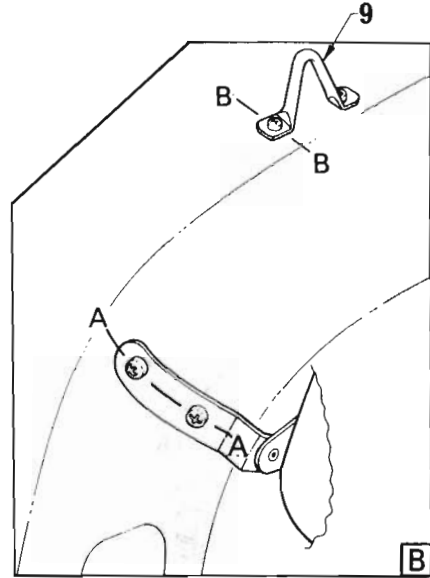
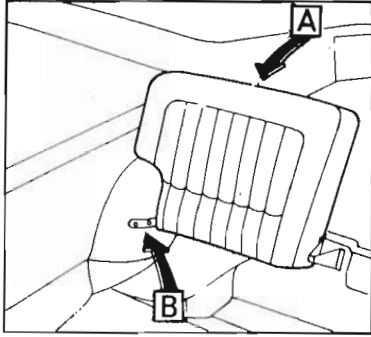
FRONT SEAT RECLINER

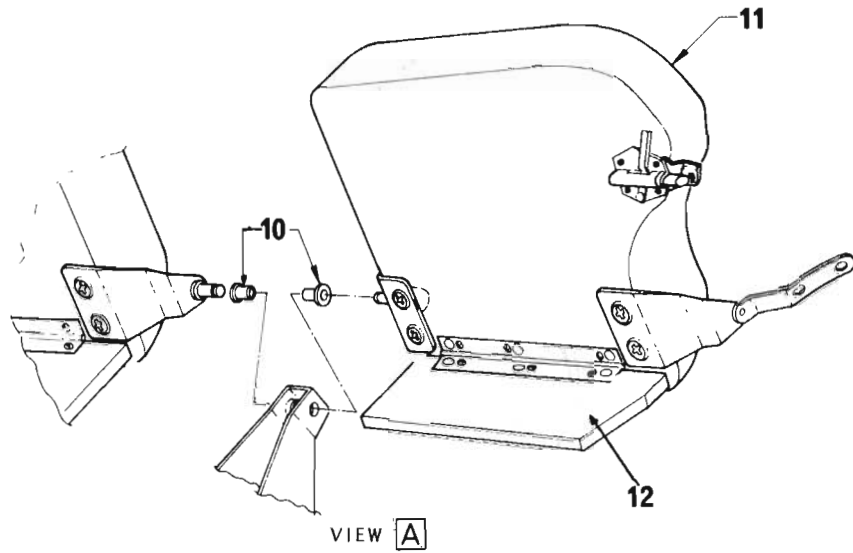
ILLUS. REF. NO.	PART NAME	GROUP
1.	ARM ASSEMBLY – Front seat reclining .....	11.392
2.	ADJUSTER ASSEMBLY – Front seat recliner .....	11.388



FRONT SEAT ADJUSTERS

ILLUS. REF. NO.	PART NAME	GROUP	ILLUS. REF. NO.	PART NAME	GROUP
1.	ADJUSTER ASSEMBLY .....	11.561	7.	WIRE ASSY. - Left hand .....	11.589
2.	HANDLE - Seat remote control .....	11.588	8.	WIRE ASSY. - Right hand .....	11.589
3.	SUPPORT - Remote control lever .....	11.561	9.	SPRING - Release lever .....	11.581
4.	SPRING - Remote control handle .....	11.581	10.	SPRING - Assist .....	11.581
5.	SPRING & FRAME ASSY. - Cushion .....	11.373	11.	TENSION - Wire .....	11.589
6.	WIRE ASSEMBLY .....	11.589	12.	BOLT - Handle .....	11.588

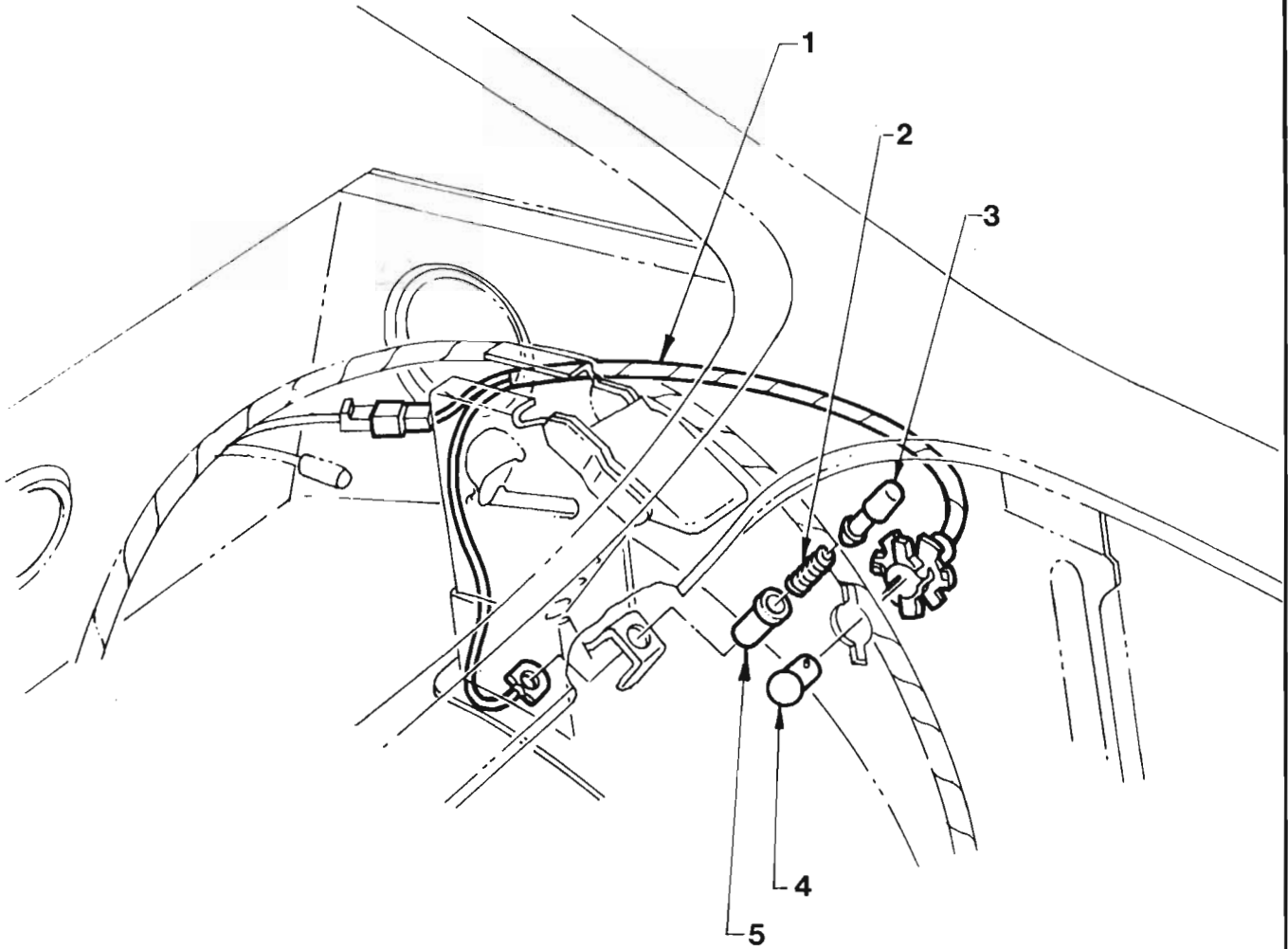




**REAR SEAT BACK**  
77 BODY STYLES

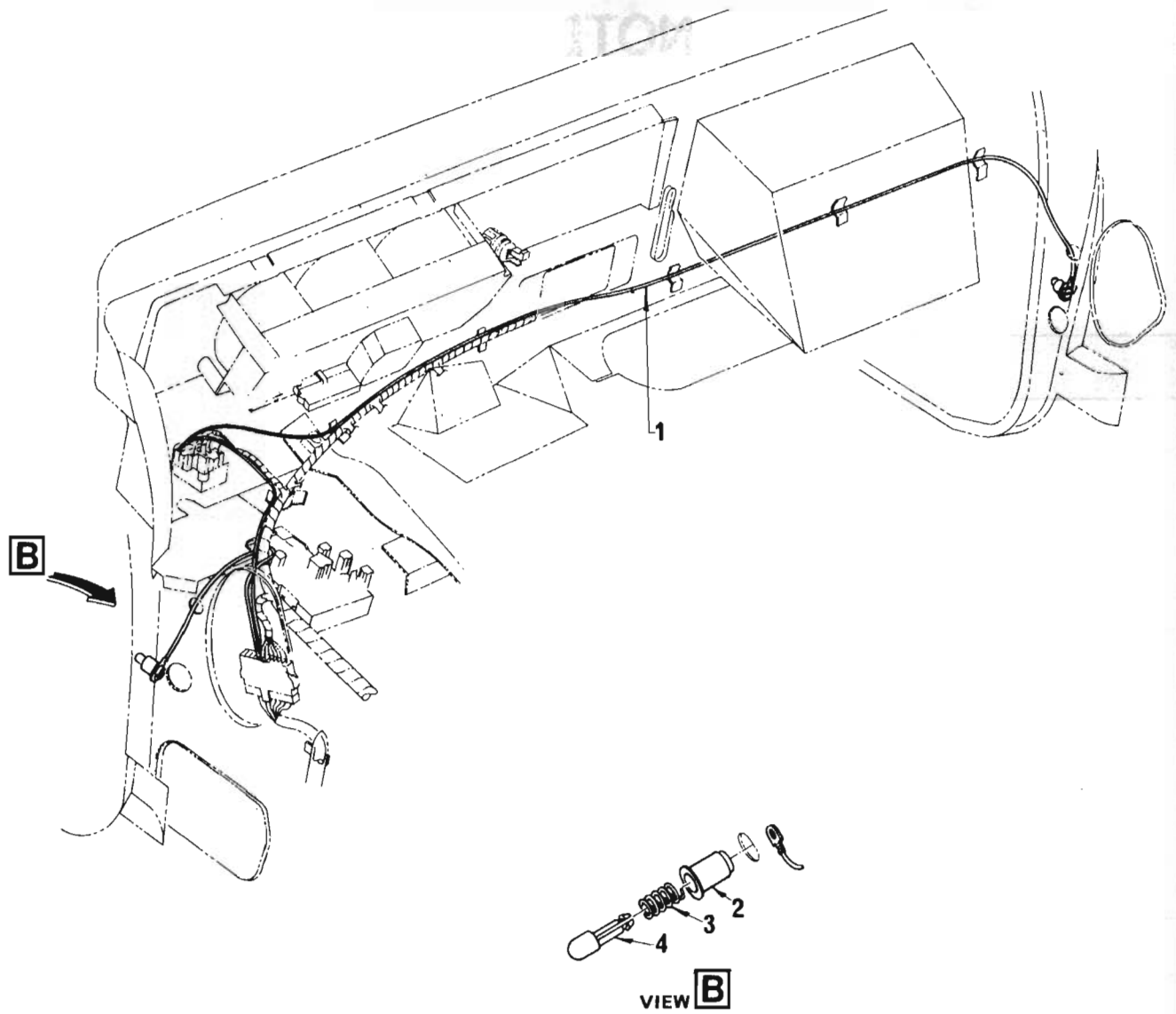
ILLUSTRATION ABOVE & OPPOSITE

ILLUS. REF. NO.	PART NAME	GROUP
1.	PLATE - Lock backing .....	11.634
2.	SPRING - Seat back lock .....	11.634
3.	LOCK ASSEMBLY - Rear seat back .....	11.634
4.	BUMPER - Rear seat back .....	11.634
5.	BRACKET ASSEMBLY - Hinge .....	11.630
6.	HINGE ASSEMBLY - Filler board .....	11.630
7.	BOARD - Rear seat back filler .....	11.628
8.	HINGE ASSEMBLY - Outer .....	11.630
9.	BRACKET - Rear seat back stop .....	11.634
10.	BUSH - Hinge pin .....	11.630
11.	CARPET ASSEMBLY - Rear seat back rear .....	15.000
12.	CARPET ASSEMBLY - Filler board .....	15.308



**REAR COMPARTMENT LAMP**  
**69 BODY STYLES**

ILLUS. REF. NO.	PART NAME	GROUP
1.	LEAD ASSEMBLY .....	11.960
2.	SPRING - Switch .....	11.960
3.	PLUNGER - Switch .....	11.960
4.	BULB 12 - 16v, 15 cp .....	11.960
5.	BODY - Switch .....	11.960

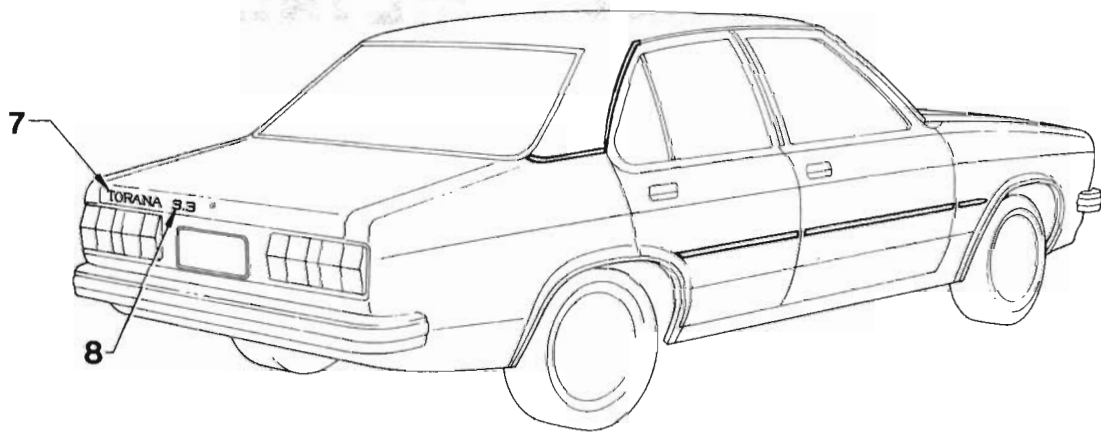
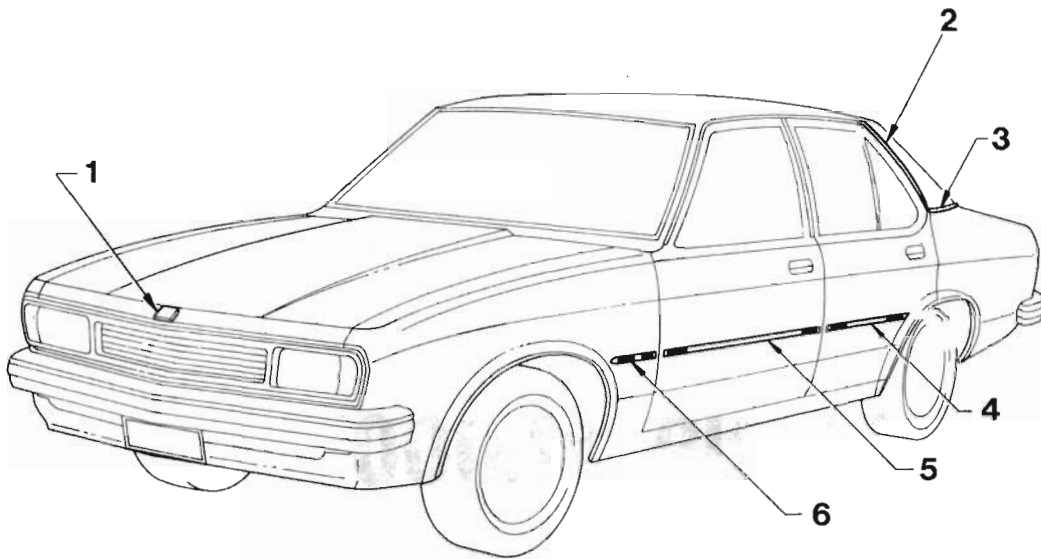


DOOR COURTESY LIGHT SWITCHES

ILLUS. REF. NO.	PART NAME	GROUP
1.	LEAD ASSEMBLY .....	11.950
2.	BODY - Switch .....	11.950
3.	SPRING - Switch .....	11.950
4.	PLUNGER - Switch .....	11.950

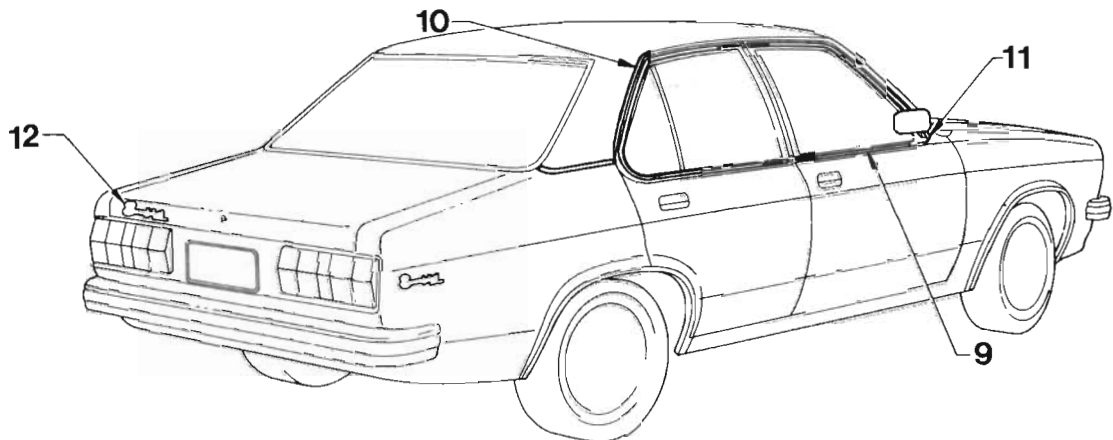
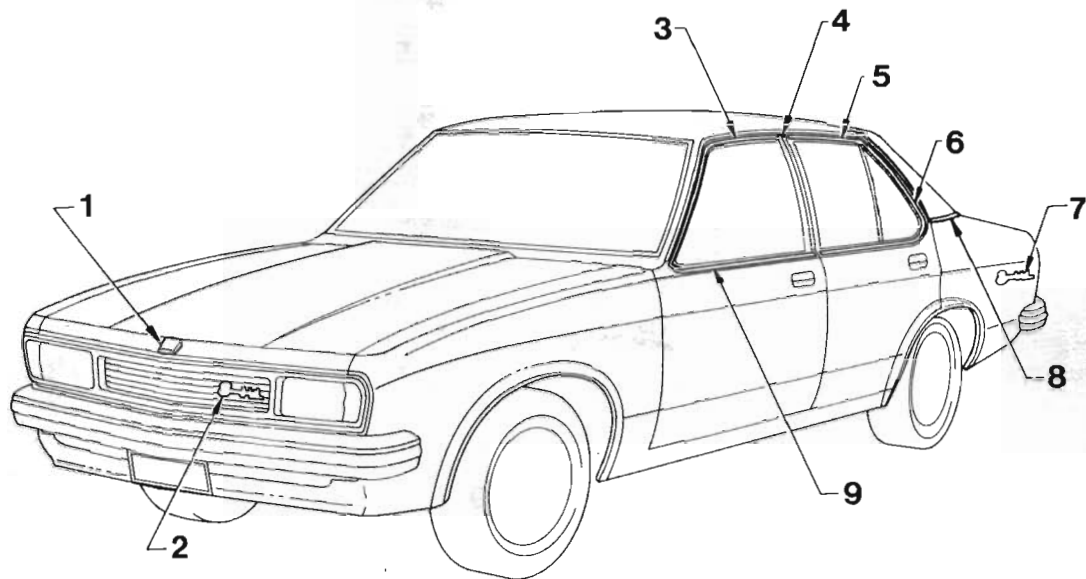


**GROUP 12.000**  
**MOULDINGS & CLIPS**  
**SHEET METAL**



**BODY MOULDINGS**  
8UG69 BODY STYLE

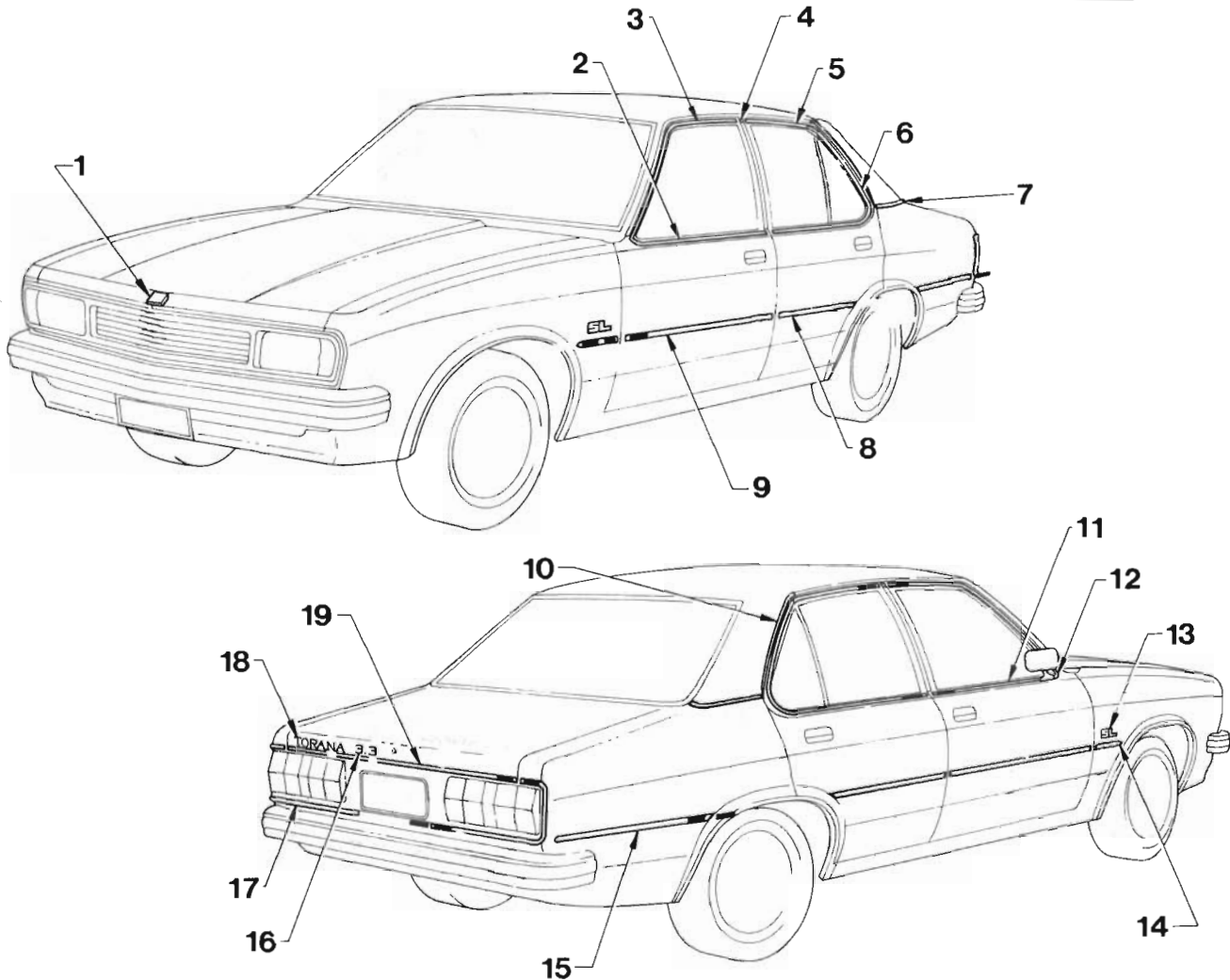
ILLUS. REF. NO.	PART NAME	GROUP
1.	EMBLEM - Hood .....	8.055
2.	GUTTER - Roof drip rear .....	12.811
3.	MOULDING - Rear quarter upper .....	12.116
4.	MOULDING - Rear door side .....	12.114
5.	MOULDING - Front door side .....	12.112
6.	MOULDING - Front fender .....	8.132
7.	NAME PLATE - Deck lid .....	12.182
8.	PLATE - Engine size .....	12.182



**BODY MOULDINGS  
8UH69 BODY STYLE**

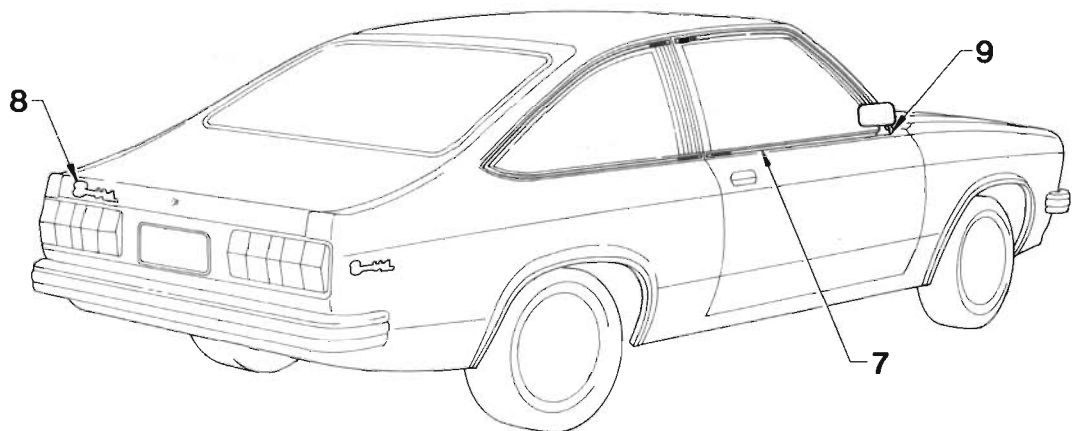
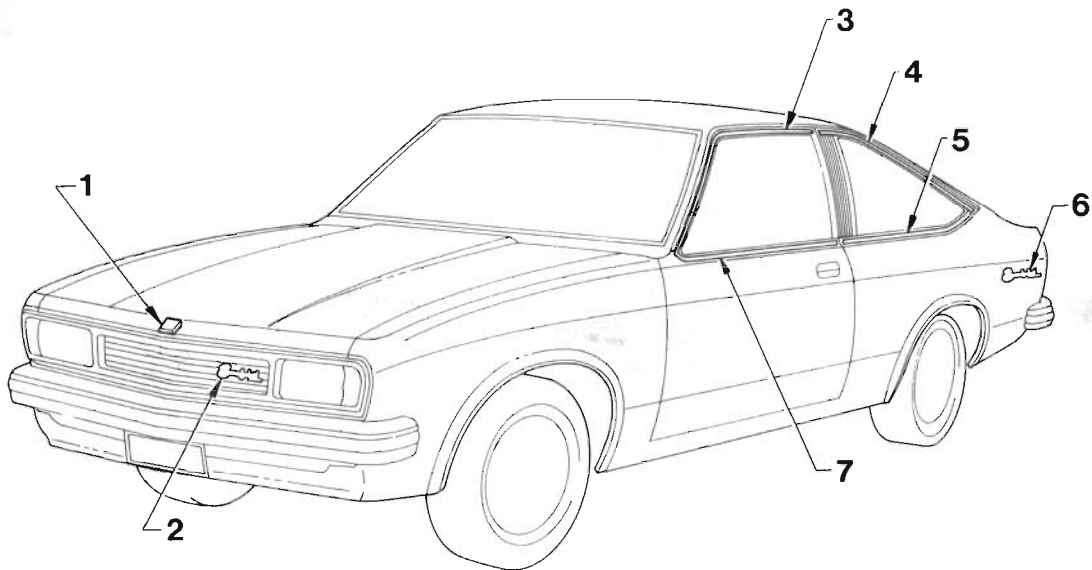
ILLUS. REF. NO.	PART NAME	GROUP
1.	EMBLEM - Hood .....	8.055
2.	NAME PLATE - Radiator grille .....	1.265
3.	MOULDING - Front door reveal - Upper .....	12.112
4.	MOULDING - Centre pillar side reveal .....	12.113
5.	MOULDING - Rear door reveal - Upper .....	12.114
6.	MOULDING - Rear door reveal - Lower .....	12.114
7.	NAME PLATE - Rear quarter .....	12.116
8.	MOULDING - Rear quarter - Upper .....	12.116
9.	MOULDING - Front door reveal - Lower .....	12.112
10.	GUTTER - Roof drip - Rear .....	12.811
11.	MOULDING - Front door side reveal - Lower .....	12.112
12.	NAME PLATE - Deck lid .....	12.112

**"UC" TORANA/HOLDEN SUNBIRD PARTS CATALOGUE**



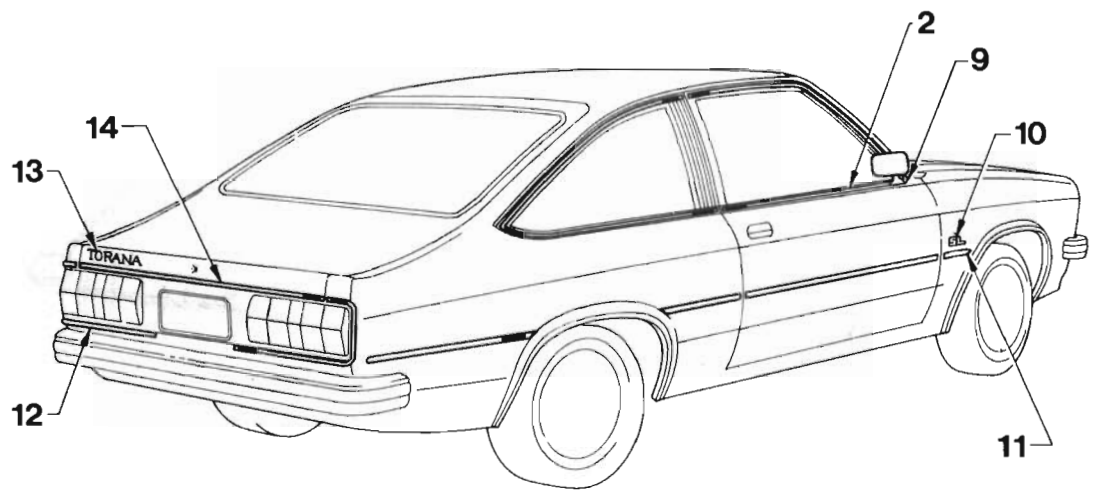
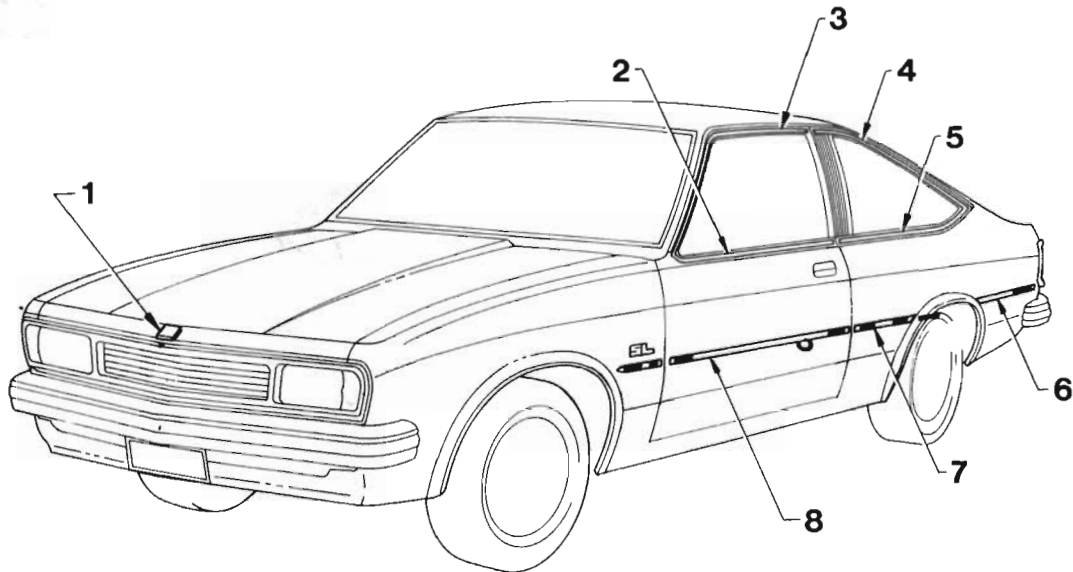
**BODY MOULDINGS**  
8UH69 BODY STYLE WITH A9H

ILLUS. REF. NO.	PART NAME	GROUP
1.	EMBLEM - Hood .....	8.055
2.	MOULDING - Front door reveal - Lower .....	12.112
3.	MOULDING - Front door reveal - Upper .....	12.112
4.	MOULDING - Centre pillar side reveal .....	12.113
5.	MOULDING - Rear door reveal - Upper .....	12.114
6.	MOULDING - Rear door reveal - Lower .....	12.114
7.	MOULDING - Rear quarter - Upper .....	12.116
8.	MOULDING - Rear door side .....	12.114
9.	MOULDING - Front door side .....	12.112
10.	GUTTER - Roof drip - Rear .....	12.811
11.	MOULDING - Front door reveal - Lower .....	12.112
12.	MOULDING - Front door side reveal - Lower .....	12.112
13.	NAME PLATE - Front fender .....	8.132
14.	MOULDING - Front fender .....	8.132
15.	MOULDING - Quarter side .....	12.116
16.	PLATE - Engine size .....	12.182
17.	MOULDING - Tail lamp reveal .....	12.116
18.	NAME PLATE - Deck lid .....	12.182
19.	MOULDING - Deck lid .....	12.182



**BODY MOULDINGS**  
**8UH77 BODY STYLE**

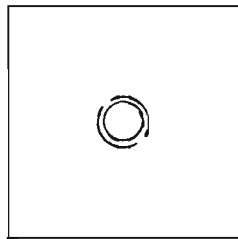
ILLUS. REF. NO.	PART NAME	GROUP
1.	EMBLEM - Hood .....	8.055
2.	NAME PLATE - Radiator grille .....	1.265
3.	MOULDING - Front door reveal - Upper .....	12.112
4.	MOULDING - Rear quarter reveal - Upper .....	12.116
5.	MOULDING - Rear quarter reveal - Lower .....	12.116
6.	NAME PLATE - Rear quarter .....	12.116
7.	MOULDING - Front door reveal - Lower .....	12.112
8.	NAME PLATE - Rear compartment lid .....	12.182
9.	MOULDING - Front door side reveal - Lower .....	12.112



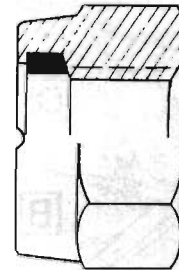
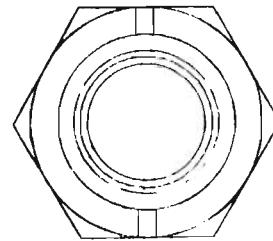
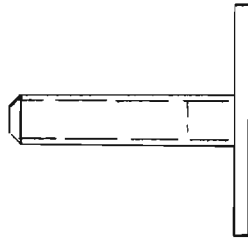
**BODY MOULDINGS**  
**8UH77 BODY STYLE WITH A9H**

ILLUS. REF. NO.	PART NAME	GROUP
1.	EMBLEM - Hood .....	8.055
2.	MOULDING - Front door reveal - Lower .....	12.112
3.	MOULDING - Front door reveal - Upper .....	12.112
4.	MOULDING - Rear quarter reveal - Upper .....	12.116
5.	MOULDING - Rear quarter reveal - Lower .....	12.116
6.	MOULDING - Rear quarter side - Rear .....	12.116
7.	MOULDING - Rear quarter side - Front .....	12.116
8.	MOULDING - Front door side .....	12.112
9.	MOULDING - Front door side reveal - Lower .....	12.112
10.	NAME PLATE - Front fender .....	8.132
11.	MOULDING - Front fender .....	8.132
12.	MOULDING - Tail lamp reveal .....	12.116
13.	NAME PLATE - Rear compartment lid .....	12.182
14.	MOULDING - Rear compartment lid .....	12.182

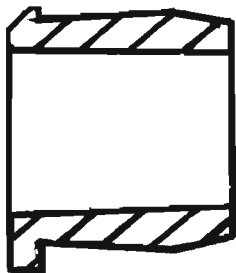
# MOULDING CLIPS & RETAINERS



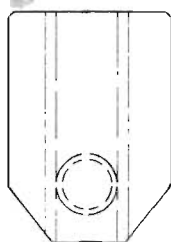
9930612  
7430805



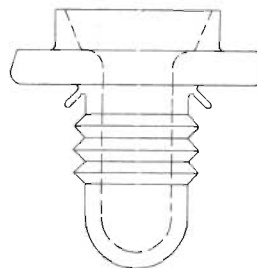
SP2243



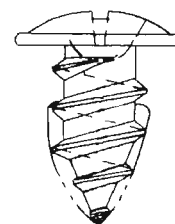
9939905



9939904



9930886



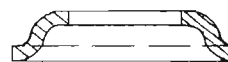
SP2700  
SP2192  
SP2252



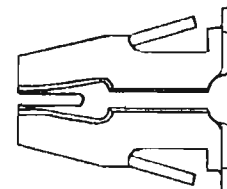
7430802  
7428738



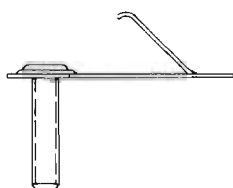
2815551



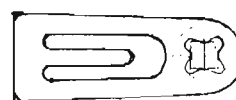
7432966



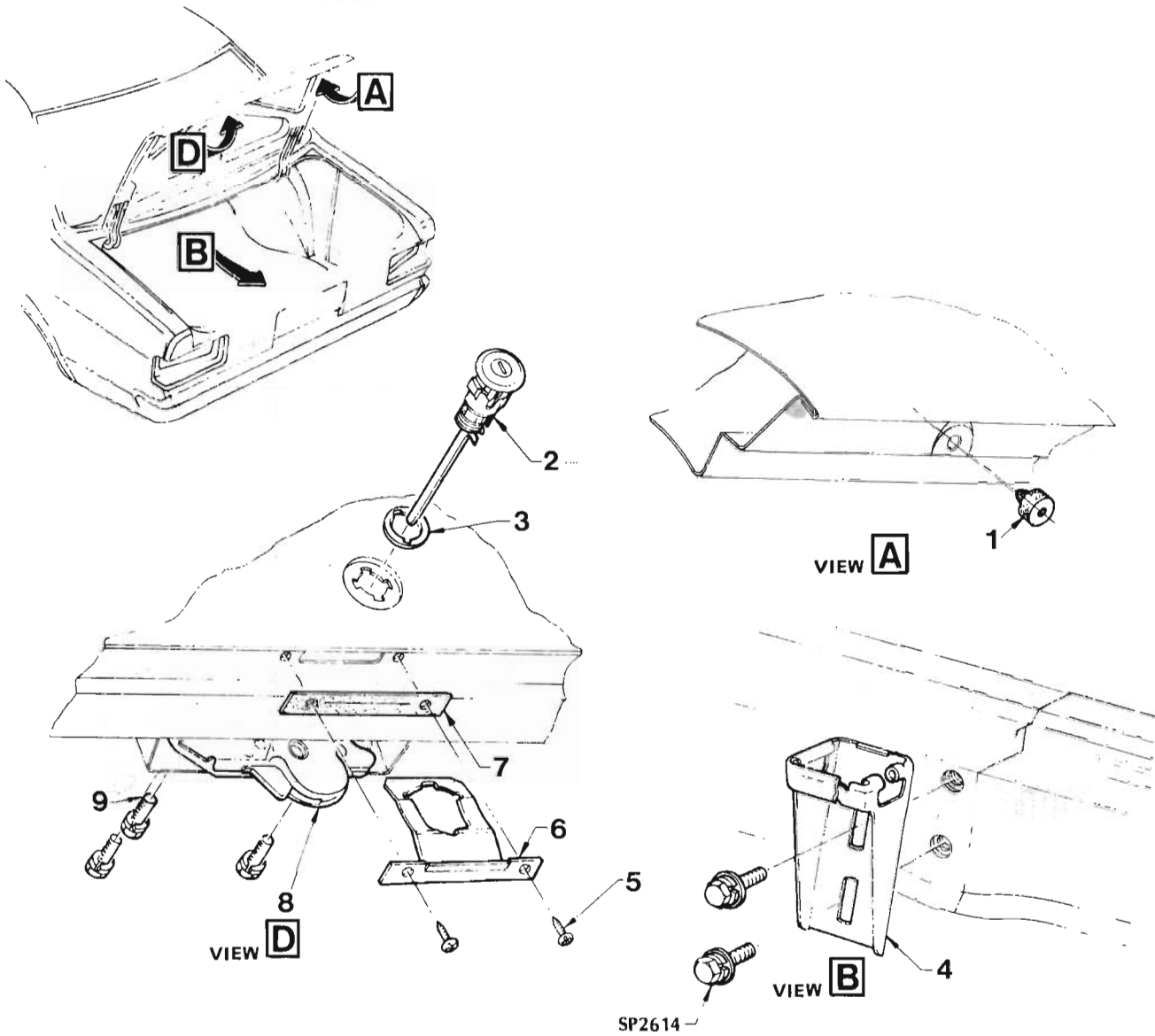
SP1606



7434212



2815300

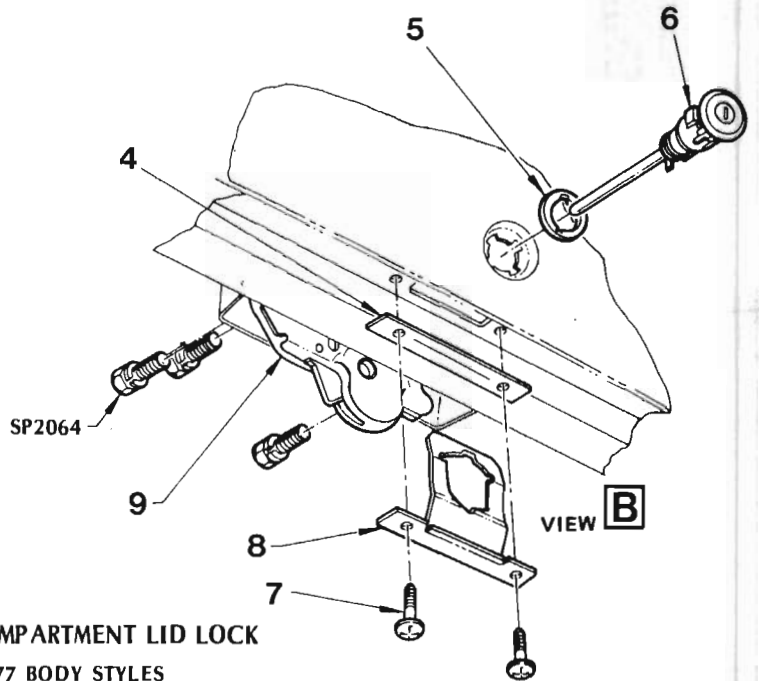
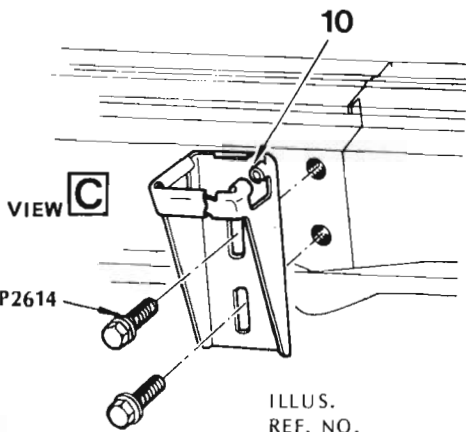
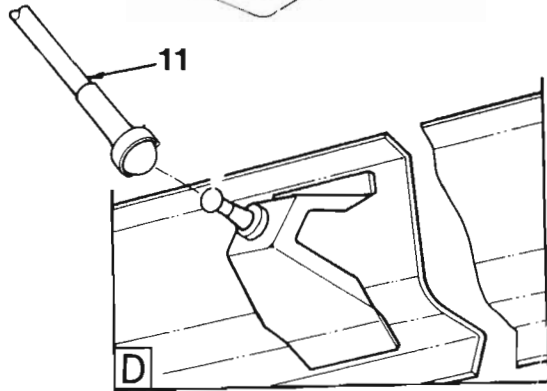
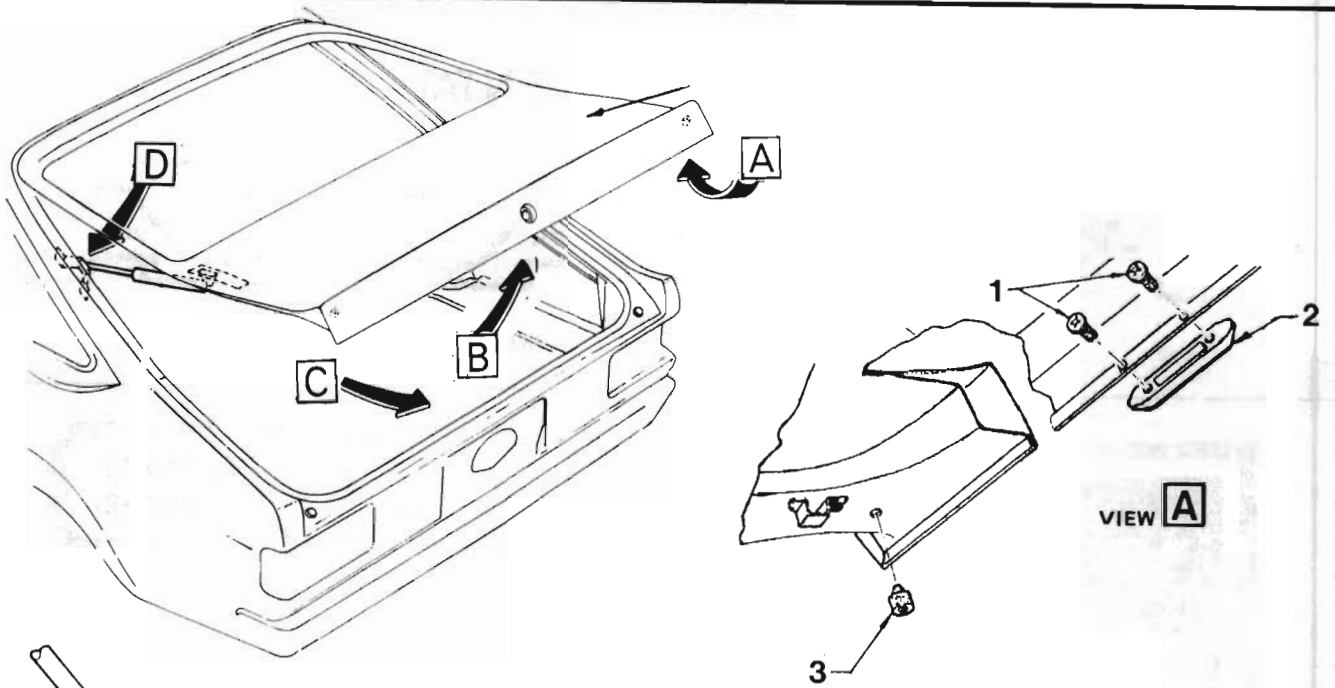


**DECK LID LOCK**

69 BODY STYLE

ILLUS. REF. NO.	PART NAME	GROUP
1.	BUMPER - Deck lid .....	12.212
2.	BARREL & KEY ASSEMBLY .....	12.248
3.	GASKET - Lock cylinder .....	12.248
4.	STRIKER .....	12.237
5.	SCREW - Retainer to inner .....	12.248
6.	RETAINER - Lock cylinder .....	12.248
7.	GASKET - Lock cylinder retainer .....	12.248
8.	LOCK ASSEMBLY - Deck lid .....	12.242
9.	BOLT - Lock to deck lid .....	12.242





**REAR COMPARTMENT LID LOCK  
77 BODY STYLES**

ILLUS. REF. NO.	PART NAME	GROUP
1.	HANDLE - Rear compartment lid .....	12.247
2.	SCREW - Handle to lid .....	12.247
3.	BUMPER - Rear compartment lid .....	12.212
4.	GASKET - Lock cylinder retainer .....	12.248
5.	GASKET - Lock cylinder .....	12.248
6.	BARREL & KEY ASSEMBLY .....	12.248
7.	SCREW - Retainer to inner panel .....	12.248
8.	RETAINER - Lock cylinder .....	12.248
9.	LOCK ASSEMBLY .....	12.242
10.	STRIKER .....	12.237
11.	SUPPORT ASSEMBLY - Counter balance .....	12.203

EXTERNAL ORNAMENTATION

**TORANA**

9944184 - 1.265 / 12.182



9947703 - 8.055  
9947702 - 1.265

**B.B**

92001282 - 12.182

**SL**

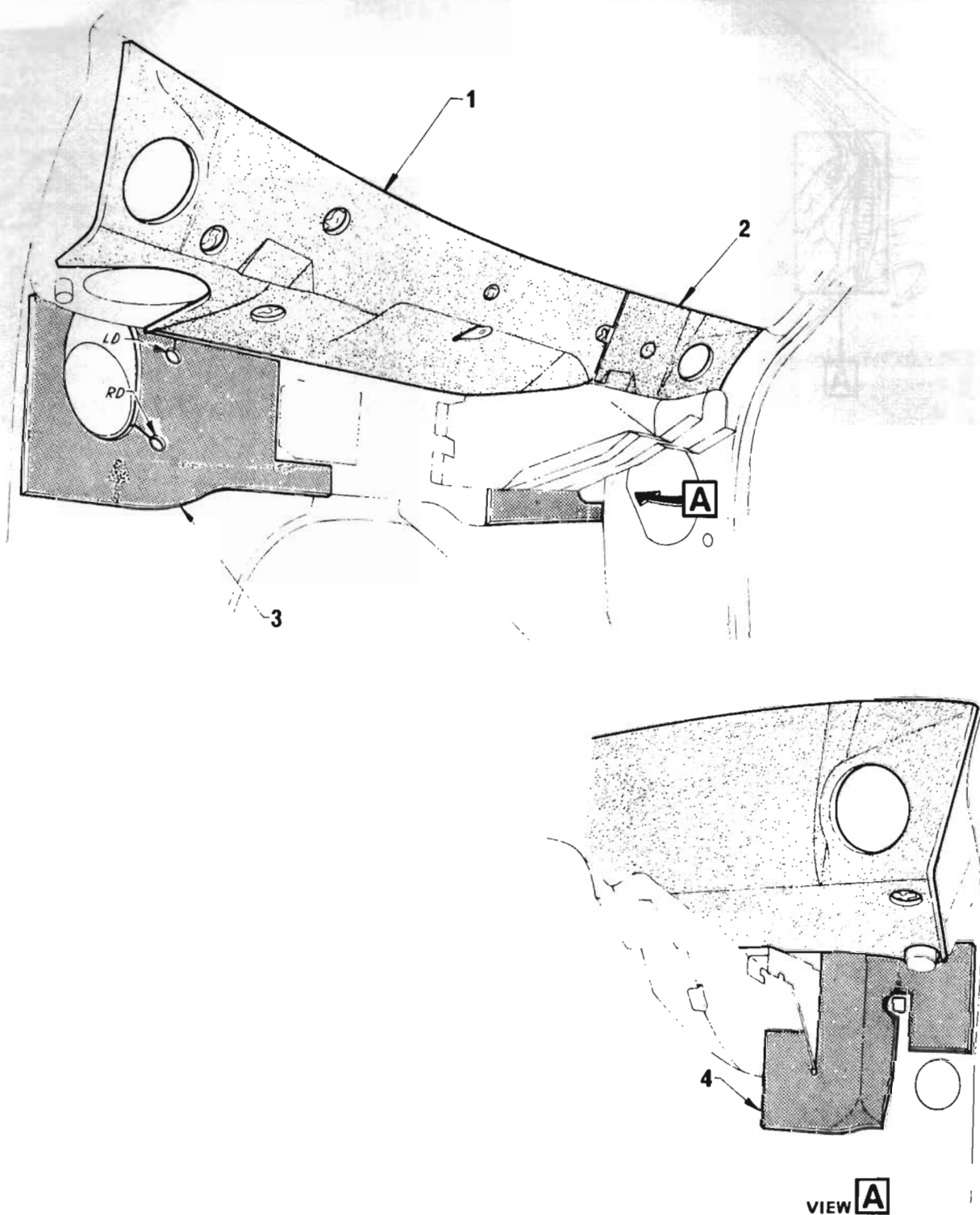
2818746 - 8.132



92001153 - 12.182

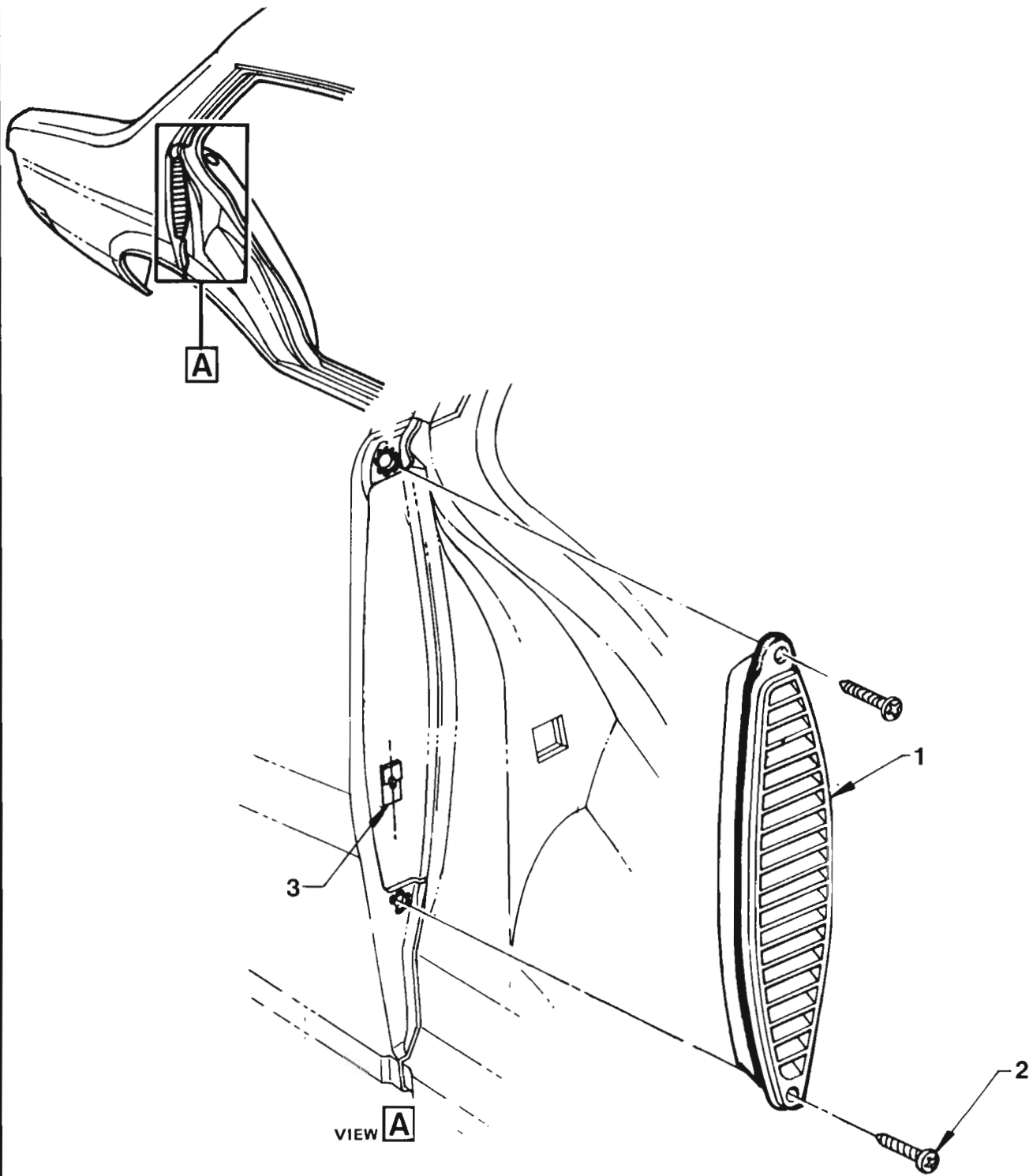
**Sunbird**  
HOLDEN

9944717 - 8.132 / 12.121



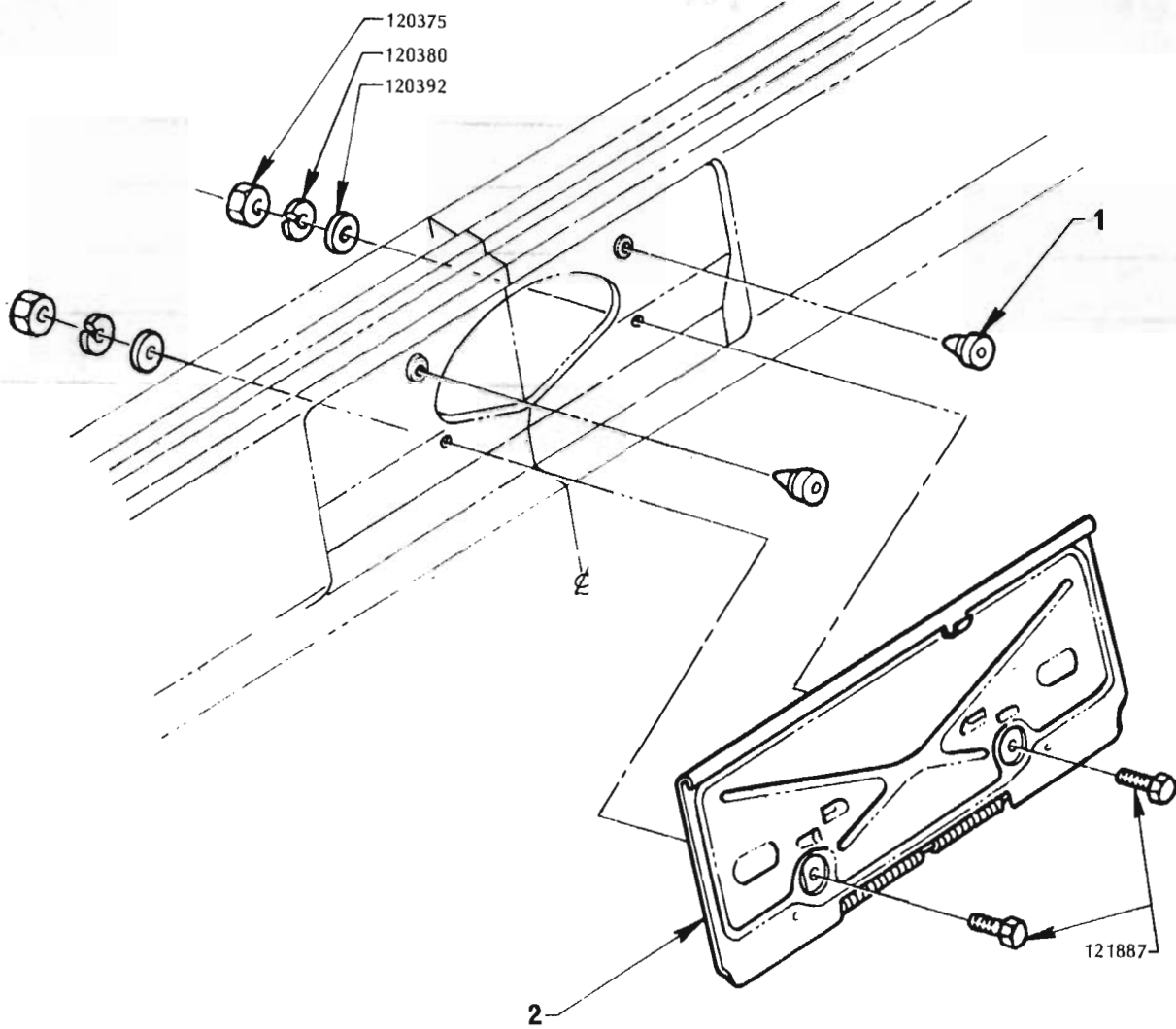
SILENCER AND INSULATOR

ILLUS. REF. NO.	PART NAME	GROUP
1.	SILENER - Plenum chamber - Left hand .....	12.803
2.	SILENCER - Plenum chamber - Right hand .....	12.803
3.	INSULATOR ASSEMBLY - Dash panel - Left hand .....	15.280
4.	INSULATOR ASSEMBLY - Dash panel - Right hand .....	15.280



**REAR QUARTER RELIEF VALVE**  
**69 BODY STYLES**

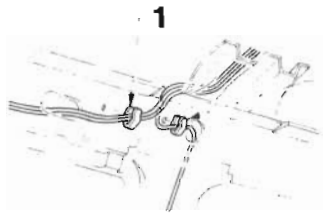
ILLUS. REF. NO.	PART NAME	GROUP
1.	VALVE ASSEMBLY – Pressure relief .....	12.942
2.	SCREW – Valve to quarter panel .....	12.942
3.	NUT – Valve to quarter panel .....	12.942



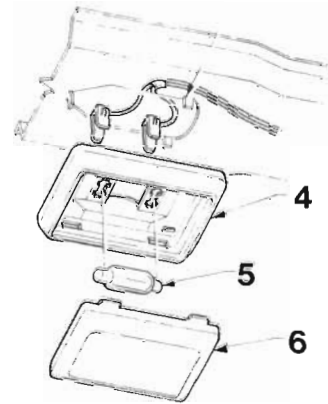
**FUEL TANK FILLER DOOR**

ILLUS. REF. NO.	PART NAME	GROUP
1.	BUMPER – Filler door .....	12.966
2.	DOOR ASSEMBLY – Filler .....	12.966

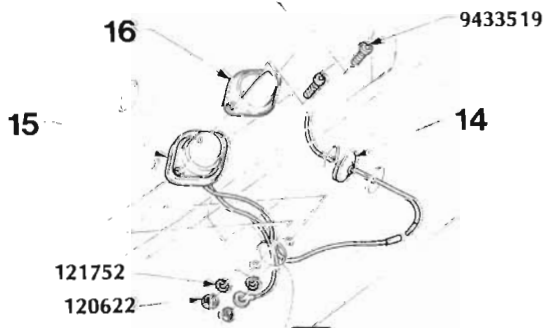
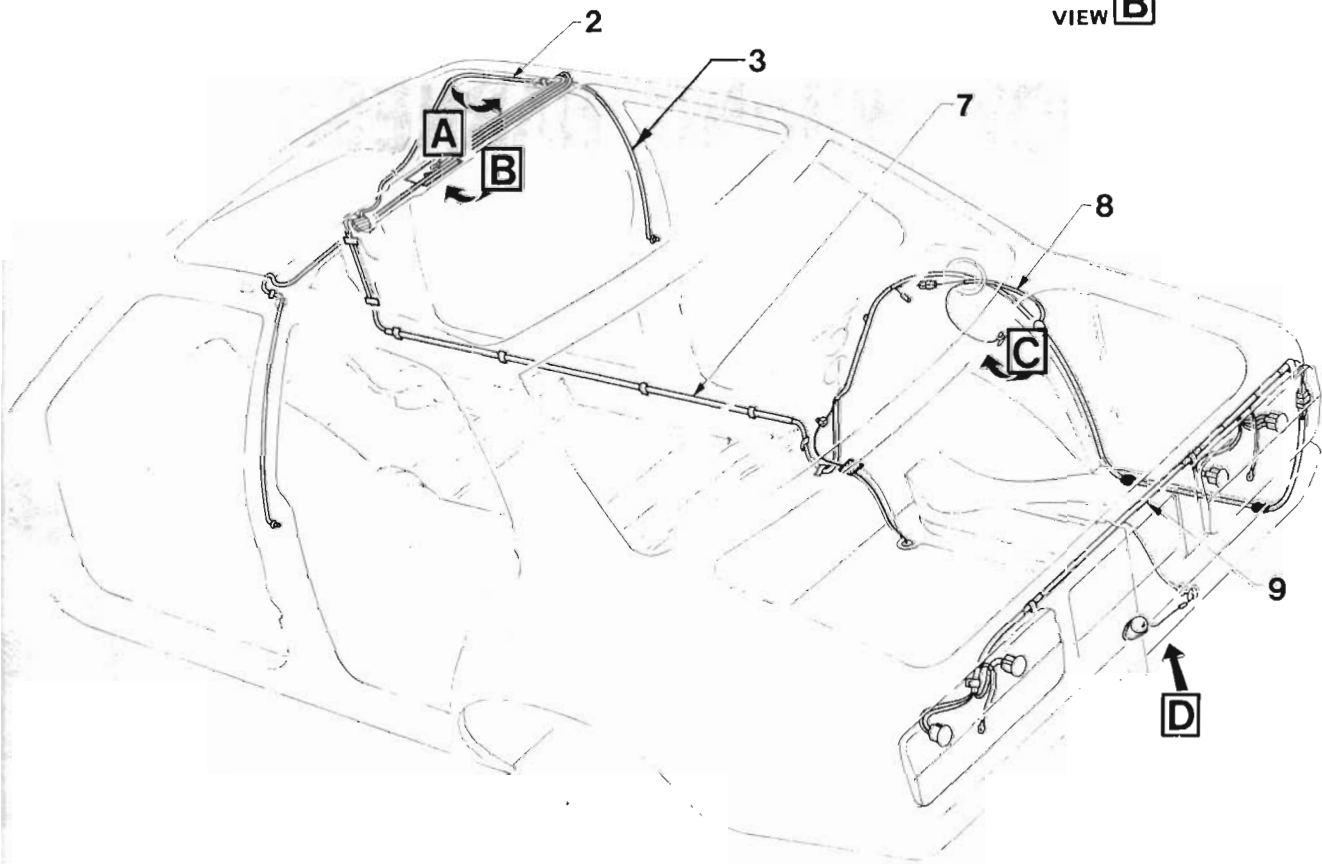
**GROUP 13.000**  
**BODY WIRING HARNESS**



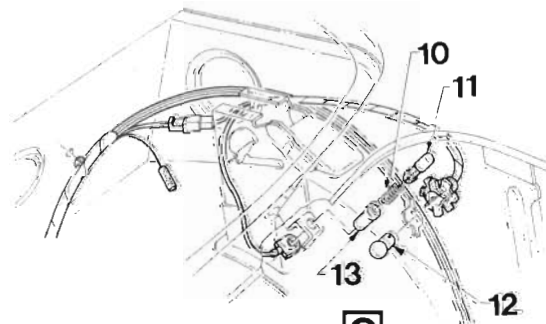
VIEW **A**



VIEW **B**



VIEW **D**



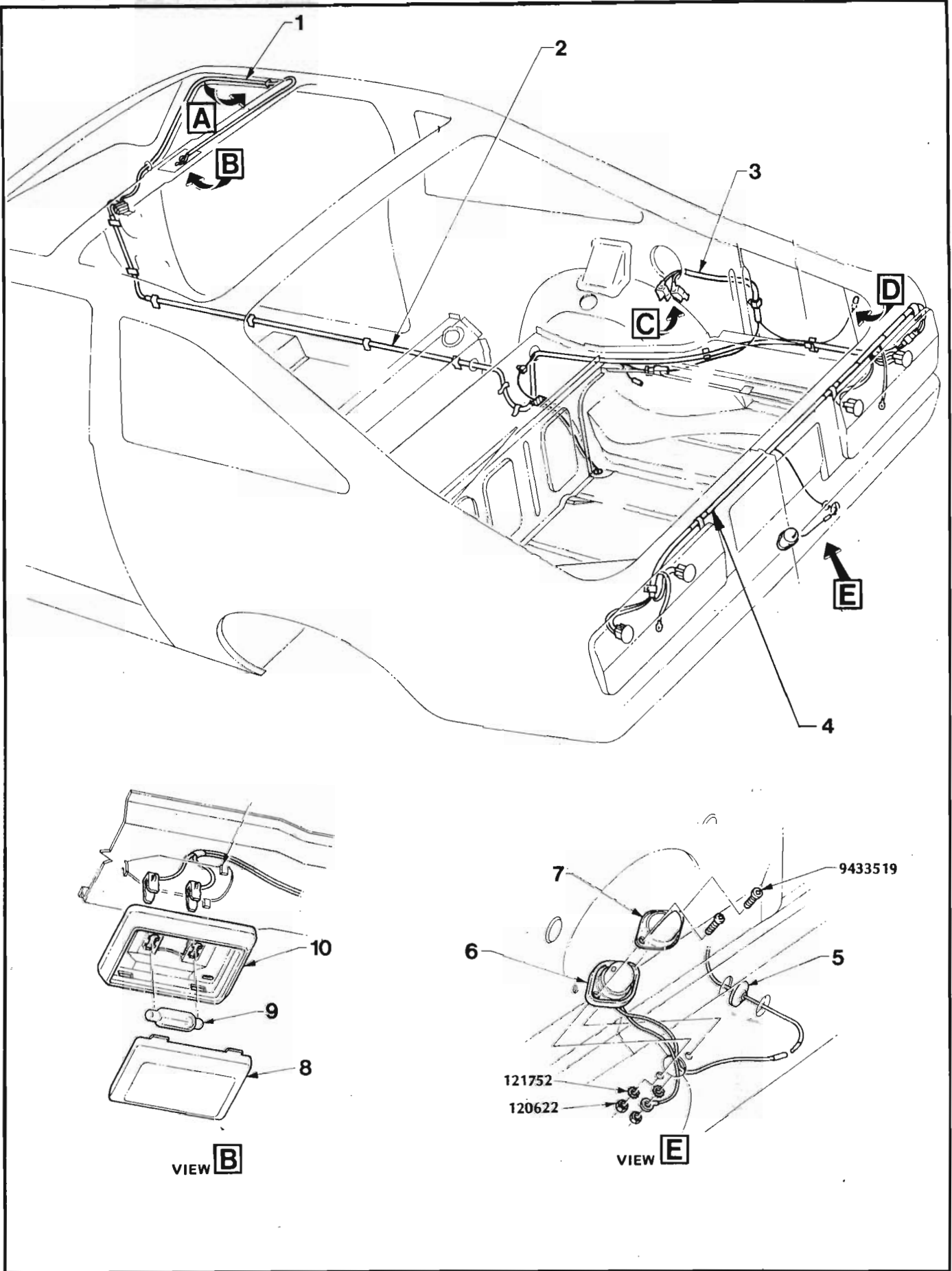
VIEW **C**

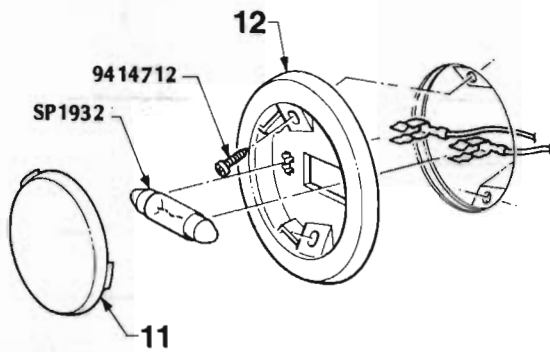
**BODY WIRING  
69 BODY STYLES**

**ILLUSTRATION OPPOSITE**

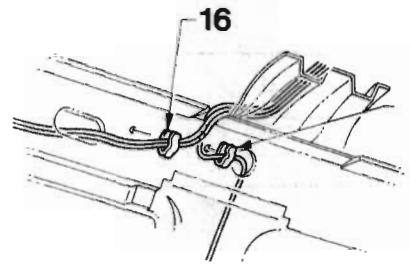
ILLUS. REF. NO.	PART NAME	GROUP
1.	CLIP – Lead to roof rail inner .....	11.925
2.	LEAD ASSEMBLY – Dome lamp .....	11.925
3.	LEAD ASSEMBLY – Rear door switch .....	11.950
4.	BASE ASSEMBLY .....	11.925
5.	BULB – Festoon 12 – 16V, 12 C.P. ....	11.925
6.	LENS – Dome lamp .....	11.928
7.	HARNESS ASSEMBLY – Body wiring .....	13.090
8.	LEAD ASSEMBLY – Rear compartment lamp .....	11.960
9.	HARNESS ASSEMBLY – Rear .....	13.090
10.	SPRING – Switch plunger .....	11.960
11.	PLUNGER – Switch .....	11.960
12.	BULB – Rear compartment lamp 12 – 16V, 15 C.P. ....	11.960
13.	BODY – Switch .....	11.960
14.	GROMMET – Lamp lead .....	2.700
15.	LAMP & LEAD ASSEMBLY .....	2.700
16.	BEZEL .....	2.706



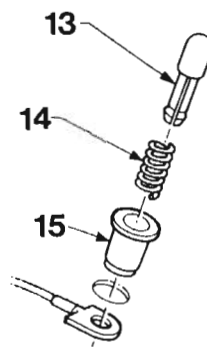




VIEW C



VIEW A



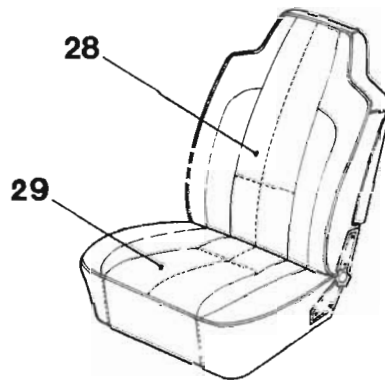
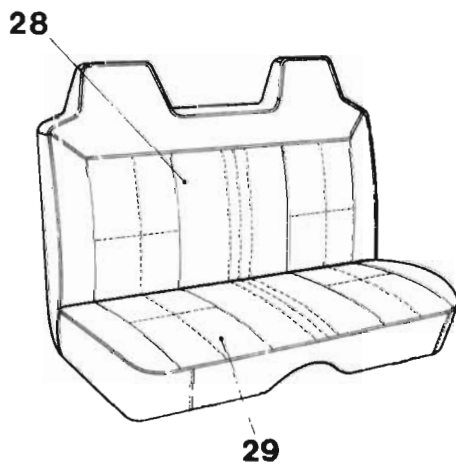
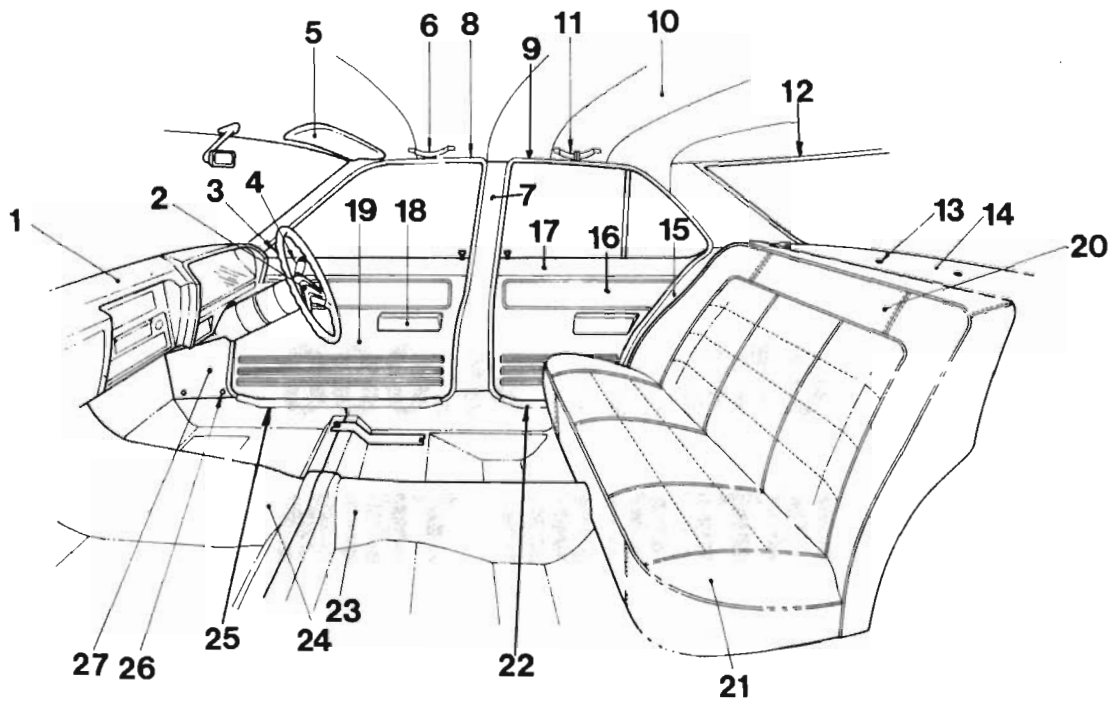
VIEW D

**BODY WIRING**  
77 BODY STYLES

ILLUSTRATION ABOVE & OPPOSITE

ILLUS. REF. NO.	PART NAME	GROUP
1.	LEAD ASSEMBLY -- Dome lamp .....	11.925
2.	HARNES ASSEMBLY -- Body wiring .....	13.090
3.	LEAD -- Rear compartment lamp .....	11.960
4.	HARNES ASSEMBLY -- Rear .....	13.090
5.	GROMMET -- Lamp lead .....	2.700
6.	LAMP & LEAD ASSEMBLY .....	2.700
7.	BEZEL .....	2.706
8.	LENS -- Dome lamp .....	11.928
9.	BULB -- Festoon, 12 - 16V., 12 C.P. ....	11.925
10.	BASE ASSEMBLY .....	11.925
11.	LENS -- Rear compartment lamp .....	11.960
12.	REFLECTOR -- Rear compartment lamp .....	11.960
13.	PLUNGER -- Switch .....	11.960
14.	SPRING -- Switch plunger .....	11.960
15.	BODY -- Switch .....	11.960
16.	CLIP -- Lead to roof rail inner .....	11.925

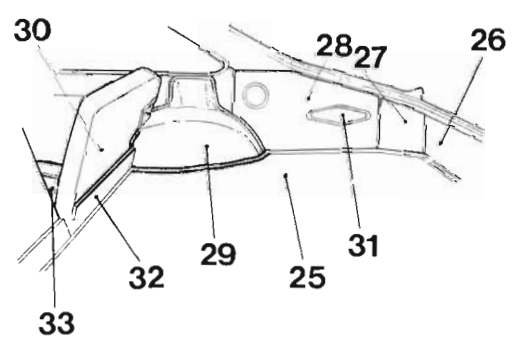
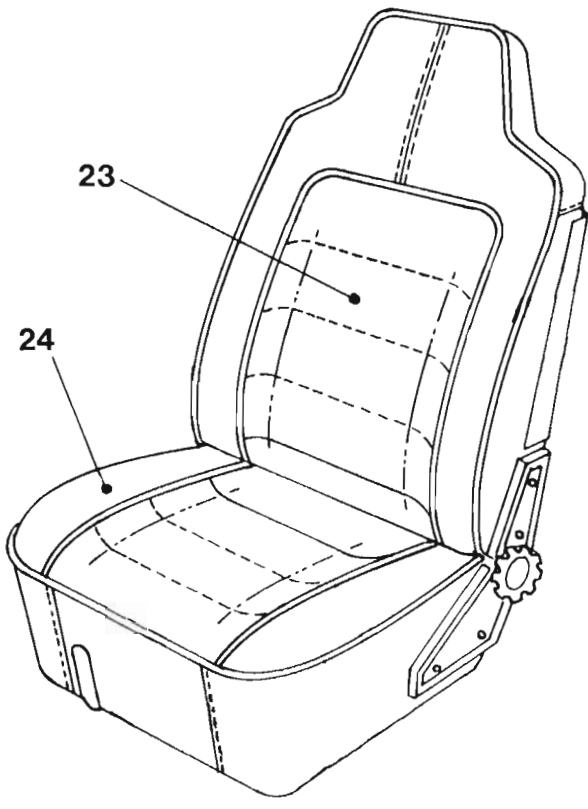
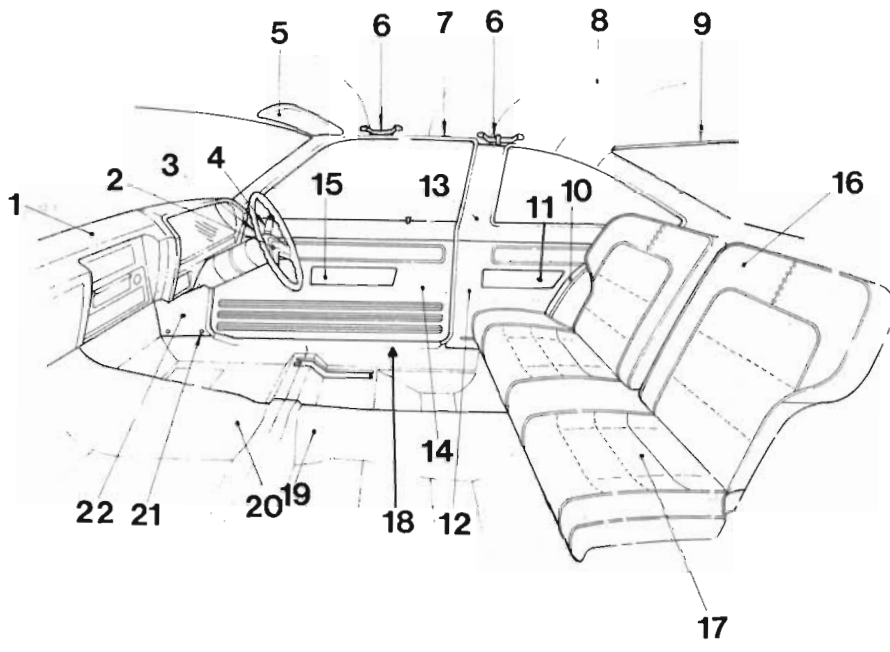
**GROUP 14.000**  
**INTERIOR TRIM**



**INTERIOR TRIM  
69 BODY STYLES**

**ILLUSTRATION OPPOSITE**

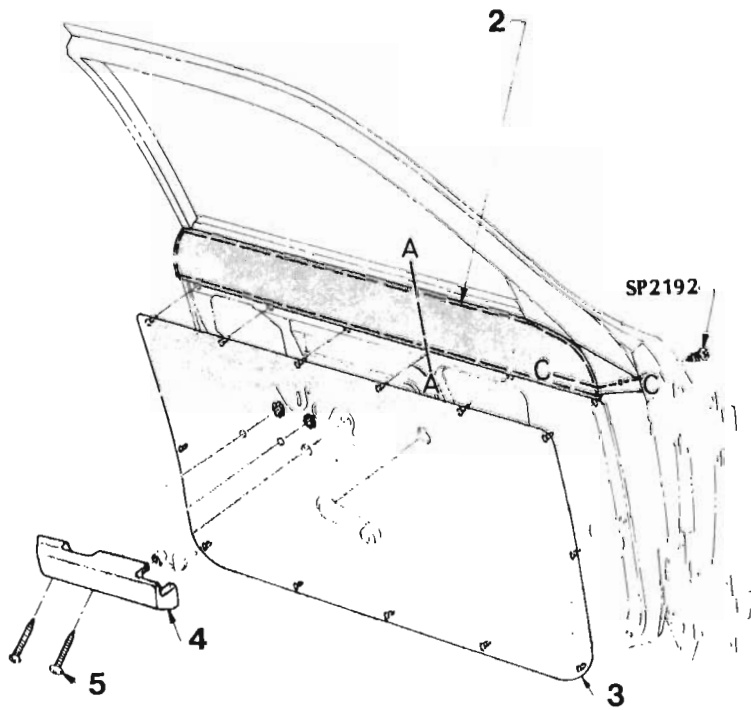
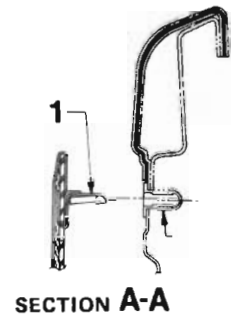
ILLUS. REF. NO.	PART NAME	GROUP
1.	PAD ASSEMBLY – Instrument panel .....	14.655
2.	WHEEL ASSEMBLY – Steering .....	6.513
3.	BAR ASSEMBLY – Horn actuating .....	2.830
4.	SWITCH – Turn signal .....	2.897
5.	SUN VISOR ASSEMBLY .....	10.203
6.	HANDLE – Assist grip .....	15.390
7.	TRIM – Centre pillar .....	14.730
8.	WINDLACE – Front door opening .....	15.520
9.	WINDLACE – Rear door opening .....	15.520
10.	HEADLINING ASSEMBLY .....	14.640
11.	HANDLE – Assist grip .....	15.390
12.	LACE – Headlining trim rear .....	14.650
13.	FASTENER – Package tray trim .....	15.024
14.	TRIM – Package tray .....	15.024
15.	TRIM – Rear quarter lower .....	15.100
16.	ARM REST – Rear door .....	14.762
17.	TRIM ASSEMBLY – Rear door .....	14.760
18.	ARM REST – Front door .....	14.686
19.	TRIM ASSEMBLY – Front door .....	14.685
20.	COVER ASSEMBLY – Rear seat back .....	15.000
21.	COVER ASSEMBLY – Rear seat cushion .....	15.035
22.	PLATE – Rear door scuff .....	11.179
23.	MAT – Rear floor .....	15.306
24.	MAT – Front floor .....	15.286
25.	PLATE – Front door scuff .....	11.175
26.	FASTENER – Panel cowl side lower trim .....	14.630
27.	TRIM – Panel cowl side lower .....	14.630
28.	COVER ASSEMBLY – Front seat back .....	14.800
29.	COVER ASSEMBLY – Front seat cushion .....	14.880



**INTERIOR TRIM  
77 BODY STYLES**

**ILLUSTRATION OPPOSITE**

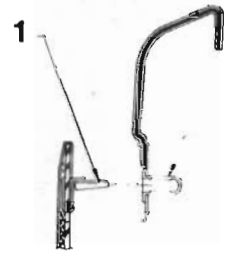
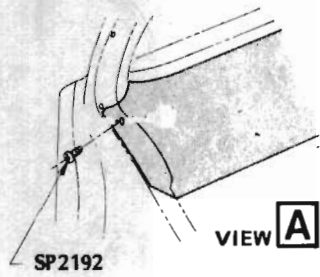
ILLUS. REF. NO.	PART NAME	GROUP
1.	PAD ASSEMBLY – Instrument panel .....	14.655
2.	BAR ASSEMBLY – Horn actuating .....	2.830
3.	WHEEL ASSEMBLY – Steering .....	6.513
4.	SWITCH – Turn signal indicator .....	2.897
5.	SUN VISOR ASSEMBLY .....	10.203
6.	HANDLE – Assist grip .....	15.390
7.	WINDLACE – Door opening .....	15.520
8.	HEADLINING ASSEMBLY .....	14.640
9.	LACE – Headlining trim rear .....	14.650
10.	TRIM – Rear quarter lower .....	15.100
11.	ARM REST – Rear quarter .....	14.762
12.	TRIM – Rear quarter .....	15.100
13.	TRIM – Centre pillar .....	14.730
14.	TRIM – Front door .....	14.685
15.	ARM REST – Front door .....	14.686
16.	COVER ASSEMBLY – Rear seat back .....	15.000
17.	COVER ASSEMBLY – Rear seat cushion .....	15.035
18.	PLATE – Front door scuff .....	11.175
19.	CARPET – Rear floor .....	15.306
20.	CARPET – Front floor .....	15.286
21.	FASTENER – Panel side cowl trim .....	14.630
22.	TRIM – Panel side cowl .....	14.630
23.	COVER – Front seat back .....	14.800
24.	COVER – Front seat cushion .....	14.880
25.	CARPET – Rear compartment floor .....	15.308
26.	CARPET – Rear compartment rear .....	15.309
27.	TRIM – Rear quarter extension .....	15.100
28.	TRIM – Rear compartment side .....	15.100
29.	CARPET – Wheelhouse .....	15.100
30.	CARPET – Rear seat back – Rear .....	15.310
31.	GRILLE – Rear quarter trim .....	15.100
32.	CARPET – Rear seat back filler .....	15.310
33.	COVER – Rear seat back centre hinge .....	15.000



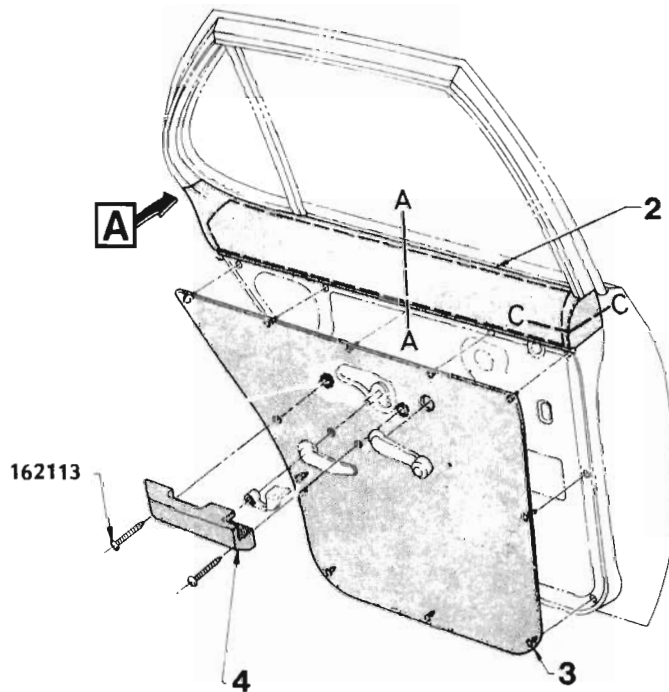
**FRONT DOOR TRIM AND ARM REST**  
69 BODY STYLES

ILLUS. REF. NO.	PART NAME	GROUP
1.	CLIP - Trim to door .....	14.685
2.	TRIM - Front door garnish .....	14.691
3.	TRIM - Front door .....	14.685
4.	ARM REST - Front door .....	14.686
5.	SCREW - Arm rest to door .....	14.686



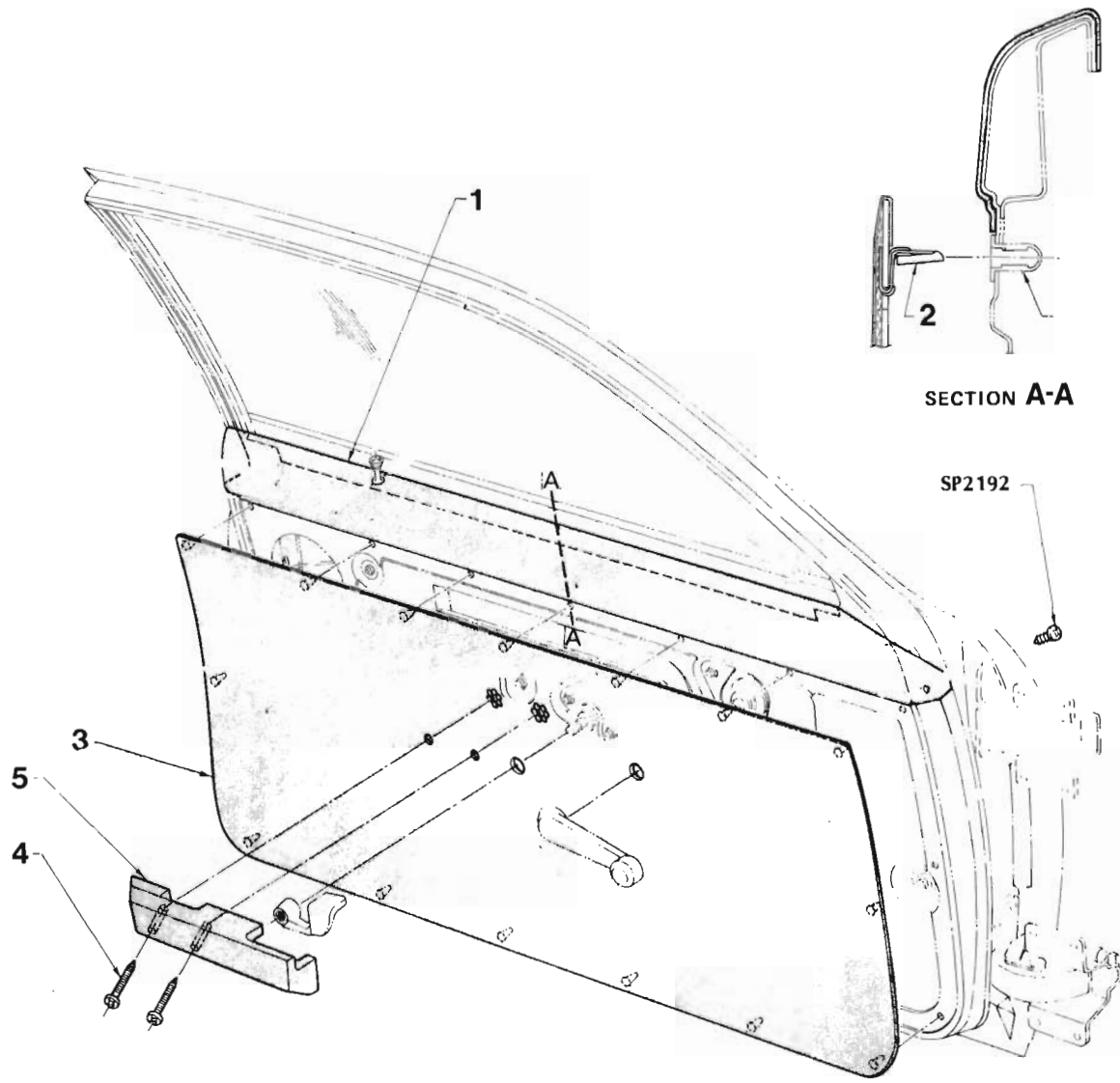


SECTION A-A



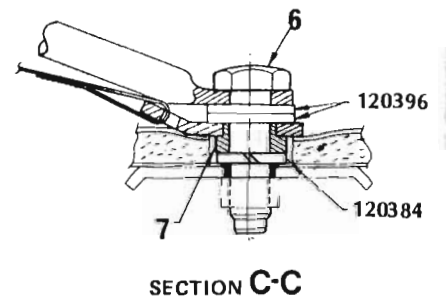
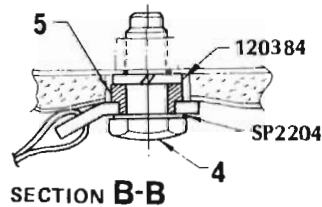
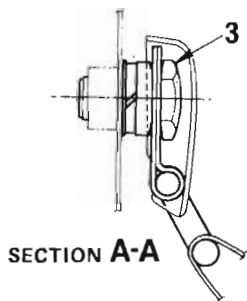
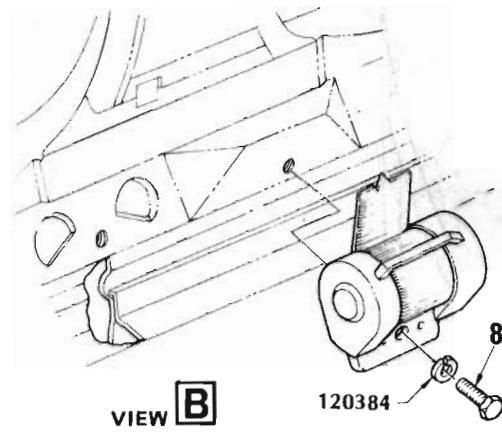
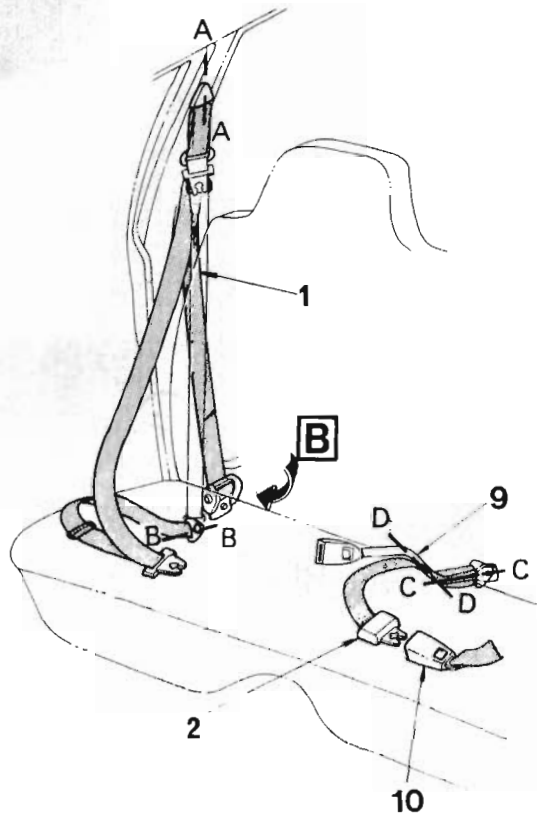
**REAR DOOR TRIM AND ARM REST  
69 BODY STYLES**

ILLUS. REF. NO.	PART NAME	GROUP
1.	CLIP - Trim to door .....	14.760
2.	TRIM - Rear door garnish .....	14.764
3.	TRIM - Rear door .....	14.760
4.	ARM REST - Rear door .....	14.762



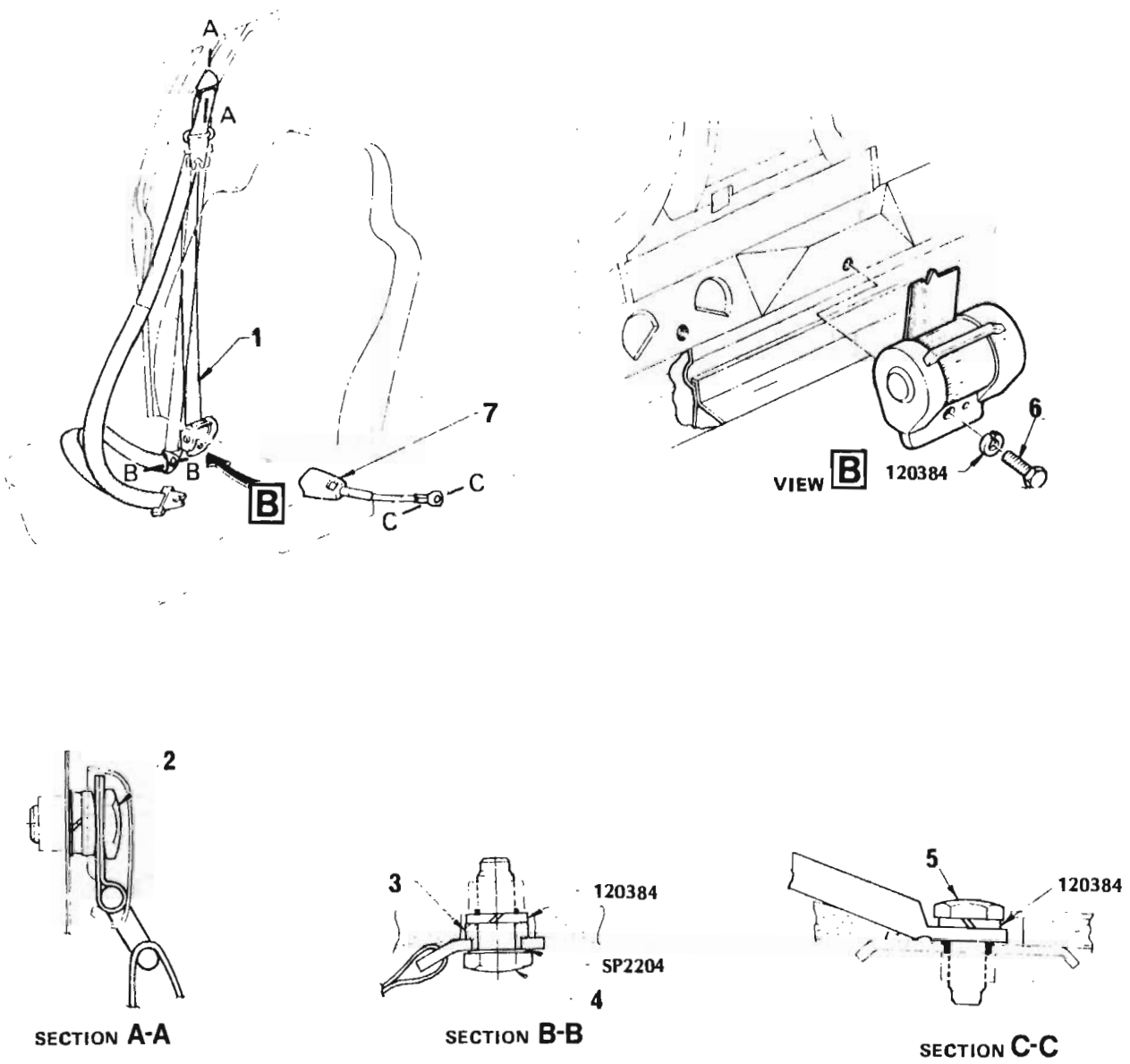
**FRONT DOOR TRIM AND ARM REST**  
77 BODY STYLES

ILLUS. REF. NO.	PART NAME	GROUP
1.	TRIM - Front door garnish .....	14.691
2.	CLIP - Trim to door .....	14.685
3.	TRIM - Front door .....	14.685
4.	SCREW - Arm rest to door .....	14.686
5.	ARM REST - Front door .....	14.686



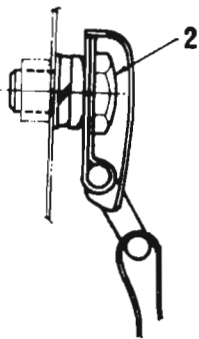
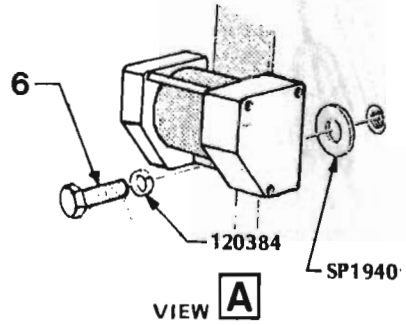
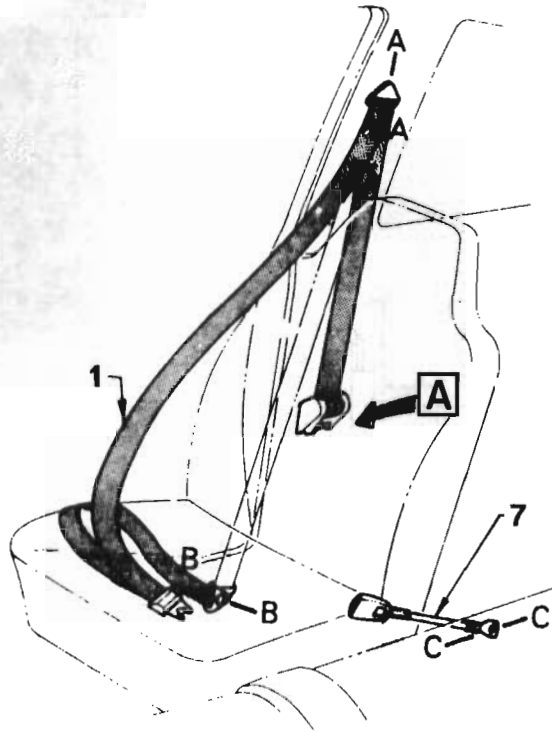
**FRONT SEAT BELTS**  
**BENCH SEAT – RETRACTOR TYPE**  
**69 BODY STYLE**

ILLUS. REF. NO.	PART NAME	GROUP
1.	BELT ASSEMBLY – Front bench seat .....	14.798
2.	BELT ASSEMBLY – Front centre lap .....	14.798
3.	BOLT – Belt upper .....	14.798
4.	BOLT – Belt lower .....	14.798
5.	SPACER – Belt lower .....	14.798
6.	BOLT – Belt and buckle to underbody .....	14.798
7.	SPACER – Belt and buckle to underbody .....	14.798
8.	BOLT – Retractor .....	14.798
9.	BUCKLE ASSEMBLY – Front bench seat .....	14.798
10.	BUCKLE ASSEMBLY – Front centre lap .....	14.798

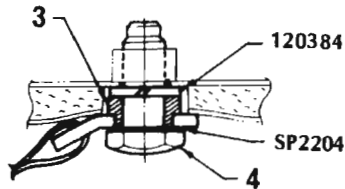


**FRONT SEAT BELTS**  
**BUCKET SEATS – RETRACTOR TYPE**  
**69 BODY STYLE**

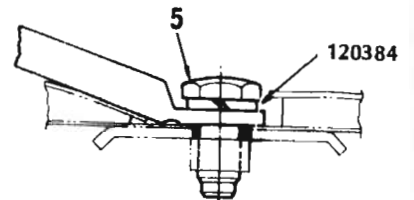
ILLUS. REF. NO.	PART NAME	GROUP
1.	BELT ASSEMBLY – Front bucket seat .....	14.798
2.	BOLT – Belt upper .....	14.798
3.	SPACER – Belt upper .....	14.798
4.	BOLT – Belt lower .....	14.798
5.	BOLT – Buckle to underbody .....	14.798
6.	BOLT – Retractor .....	14.798
7.	BUCKLE ASSEMBLY .....	14.798



SECTION A-A



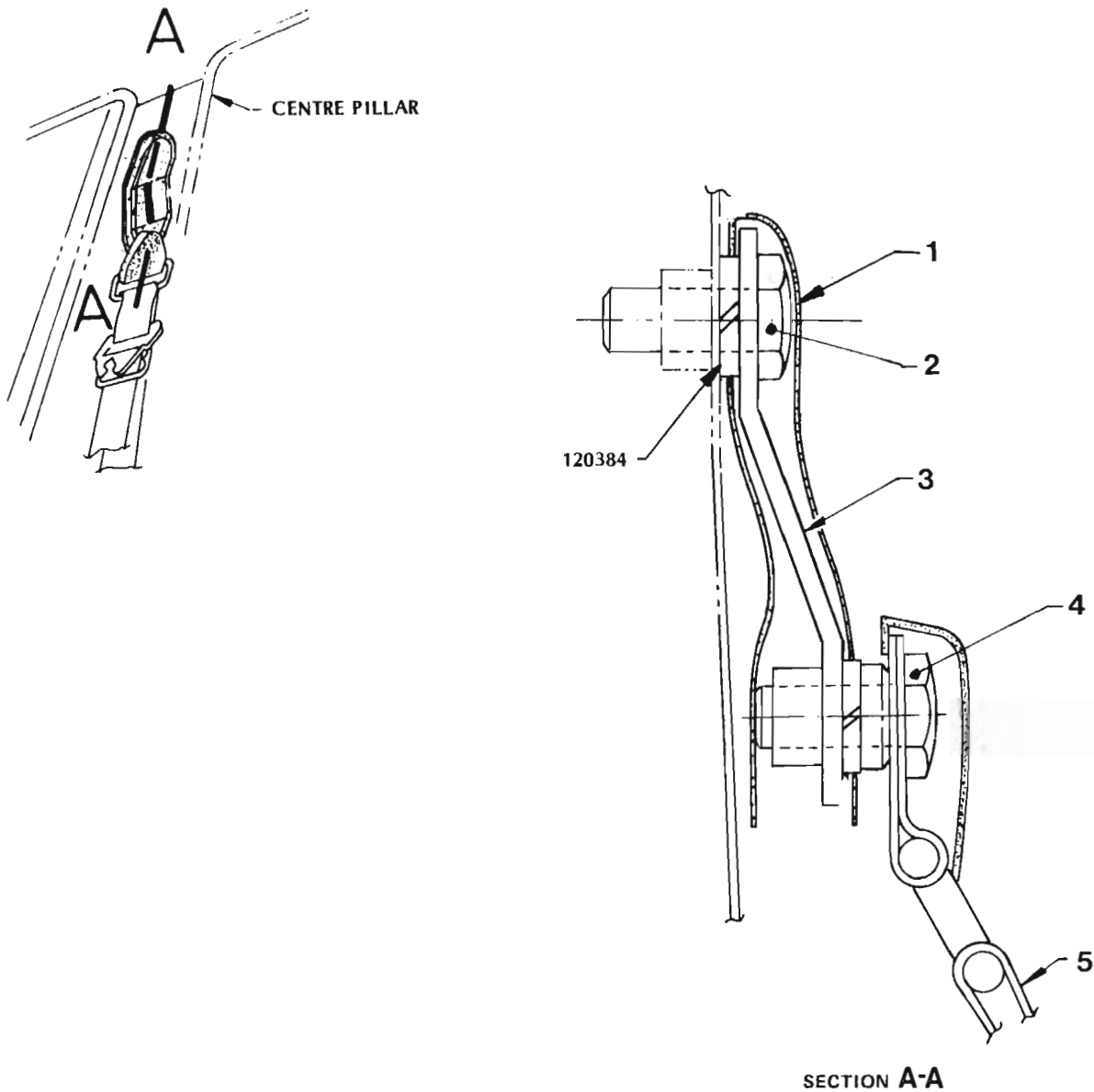
SECTION B-B



SECTION C-C

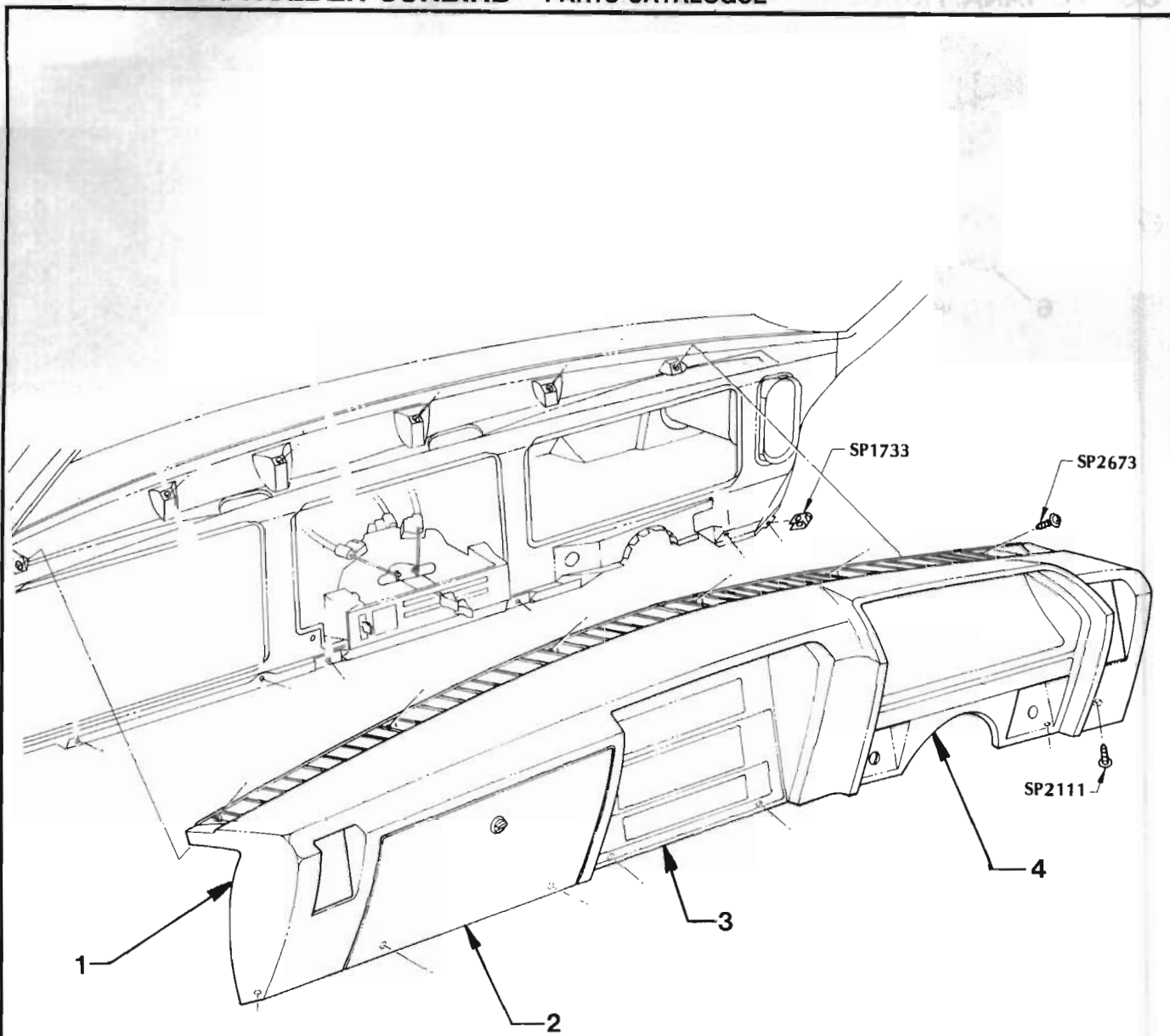
FRONT SEAT BELTS  
 BUCKET SEATS - RETRACTOR TYPE  
 77 BODY STYLE

ILLUS. REF. NO.	PART NAME	GROUP
1.	BELT ASSEMBLY .....	14.798
2.	BOLT - Belt upper .....	14.798
3.	SPACER - Belt lower .....	14.798
4.	BOLT - Belt lower .....	14.798
5.	BOLT - Buckle to underbody .....	14.798
6.	BOLT - Retractor .....	14.798
7.	BUCKLE ASSEMBLY .....	14.798



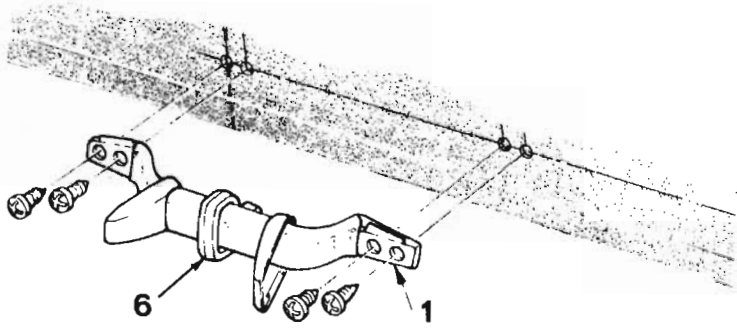
**GUIDE EXTENSION  
FRONT SEAT BELT**

ILLUS. REF. NO.	PART NAME	GROUP
1.	SLEEVE — Belt protector .....	14.798
2.	BOLT — Belt upper .....	14.798
3.	BRACKET — Sash guide .....	14.798
4.	BOLT — Belt to bracket .....	14.798
5.	BELT ASSEMBLY .....	14.798

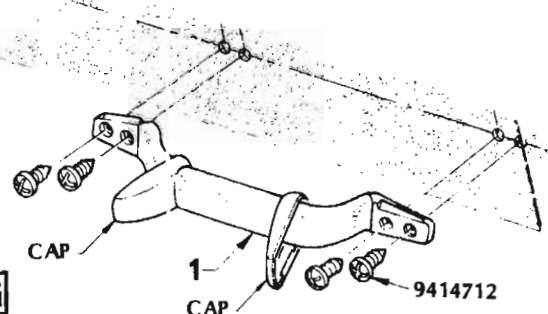
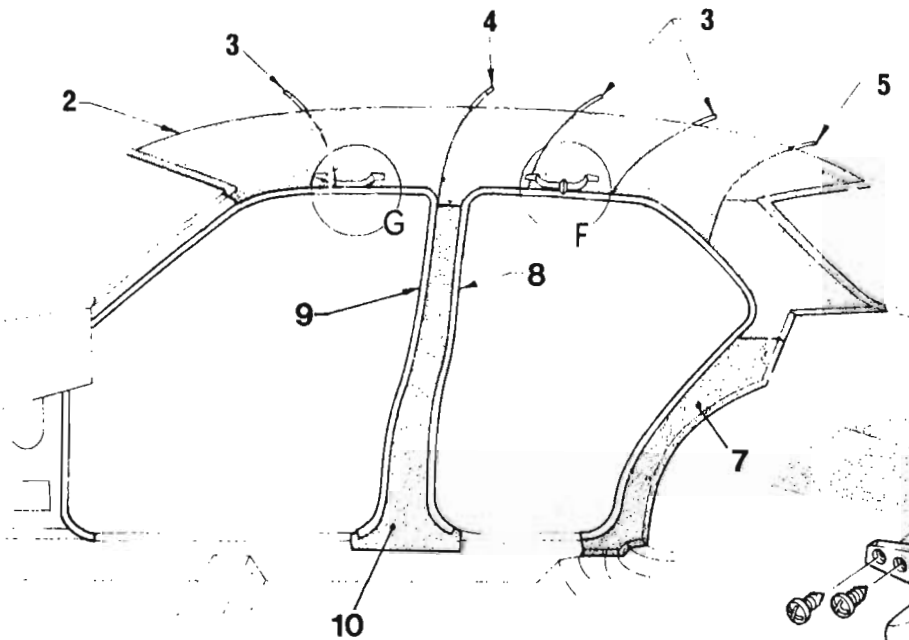


**INSTRUMENT PANEL PAD**

ILLUS. REF. NO.	PART NAME	GROUP
1.	PAD - Instrument panel .....	14.655
2.	DOOR - Instrument panel compartment .....	10.261
3.	FACIA - Instrument panel centre .....	10.252
4.	FACIA - Instrument panel lower .....	10.252



VIEW **F**  
RIGHT & LEFT SIDES

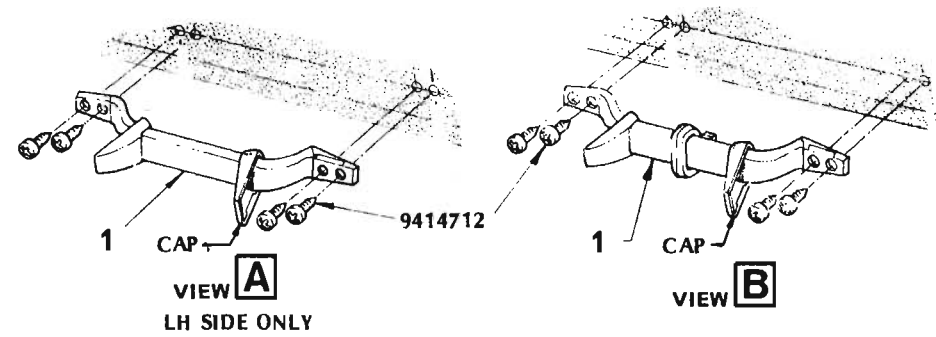
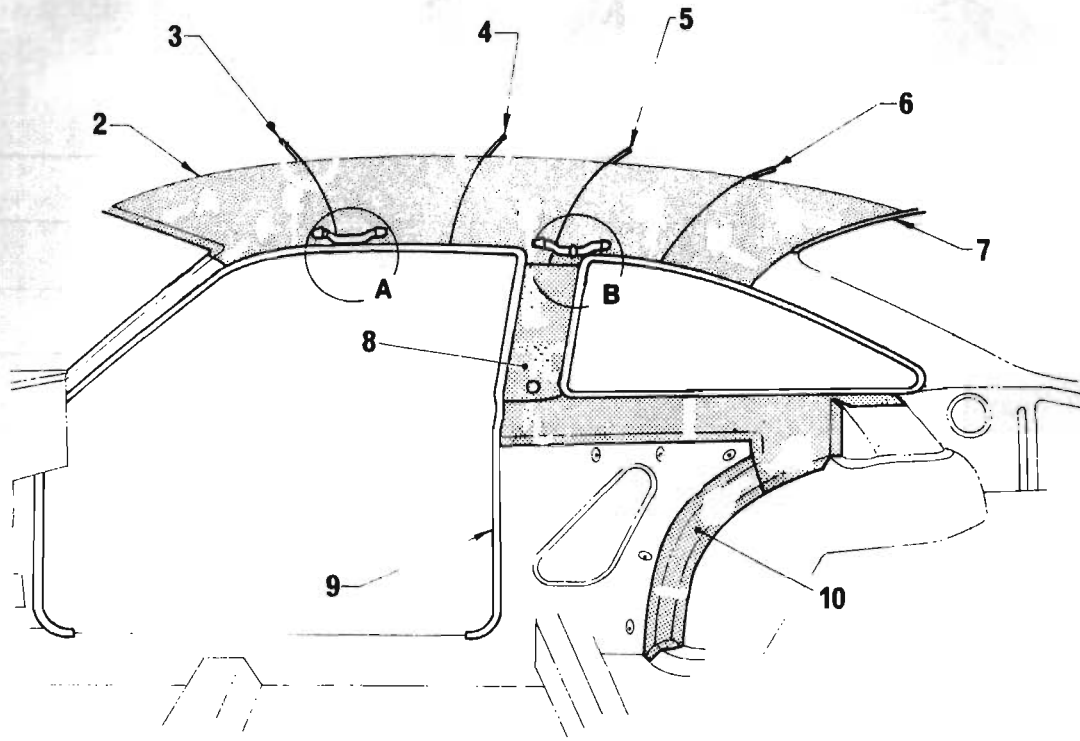


VIEW **G**  
LEFT SIDE ONLY

**HEADLINING AND ASSIST GRIP HANDLE**  
**69 BODY STYLES**

ILLUS. REF. NO.	PART NAME	GROUP
1.	HANDLE - Assist grip .....	15.390
2.	HEADLINING ASSEMBLY .....	14.640
3.	WIRE - Nos. 1, 3 & 4 .....	12.955
4.	WIRE - No. 2 .....	12.955
5.	WIRE - No. 5 .....	12.955
6.	HOOK - Coat .....	14.651
7.	TRIM - Rear quarter lower .....	15.100
8.	WINDLACE - Rear door opening .....	15.520
9.	WINDLACE - Front door opening .....	15.520
10.	TRIM - Centre pillar .....	14.730

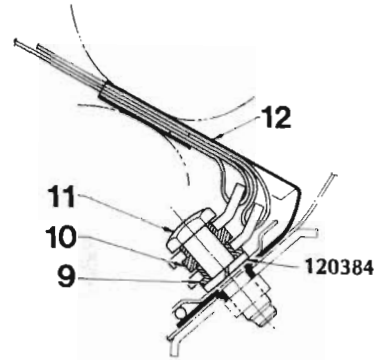
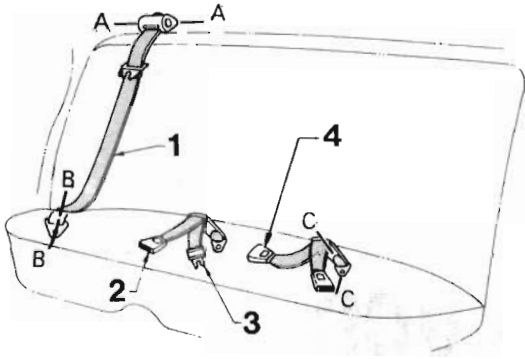




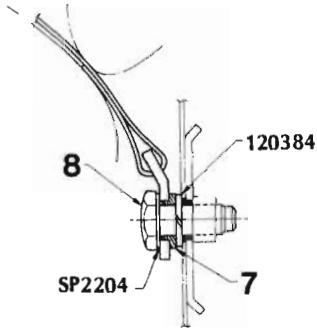
**HEADLINING AND ASSIST GRIP HANDLE  
77 BODY STYLES**

ILLUS. REF. NO.	PART NAME	GROUP
1.	HANDLE - Assist grip .....	15.390
2.	HEADLINING ASSEMBLY .....	14.640
3.	WIRE - No. 1 .....	12.955
4.	WIRE - No. 2 .....	12.955
5.	WIRE - No. 3 .....	12.955
6.	WIRE - No. 4 .....	12.955
7.	LACE - Headlining trim rear .....	14.650
8.	TRIM ASSEMBLY - Quarter upper .....	15.100
9.	WINDLACE - Front door opening .....	15.520
10.	TRIM - Quarter side lower .....	15.100

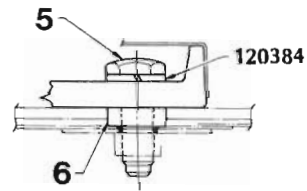
**GROUP 15.000**  
**REAR TRIM – MATS – CARPETS**



SECTION C-C



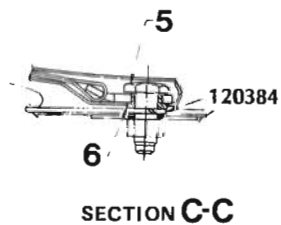
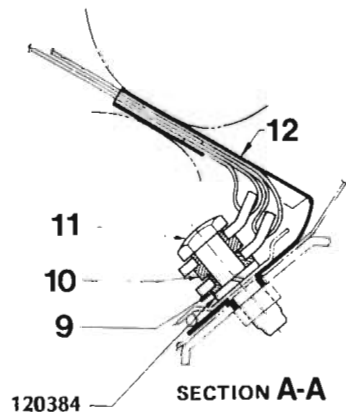
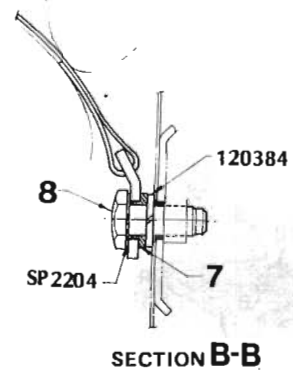
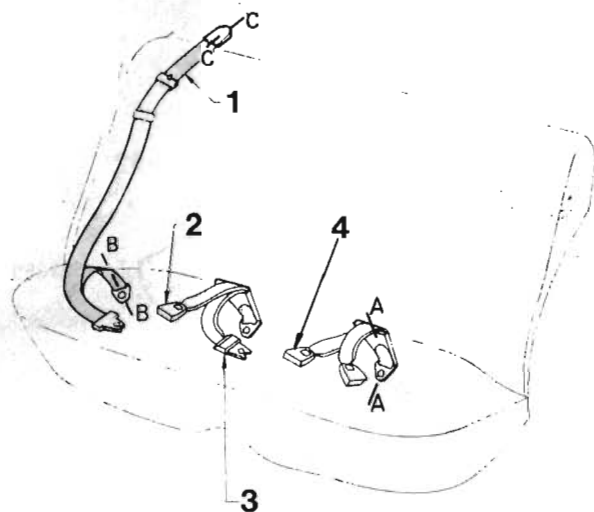
SECTION B-B



SECTION A-A

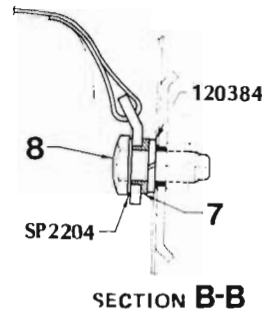
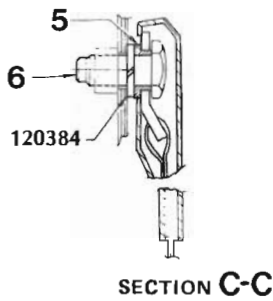
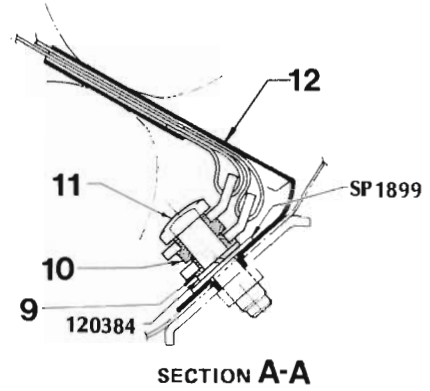
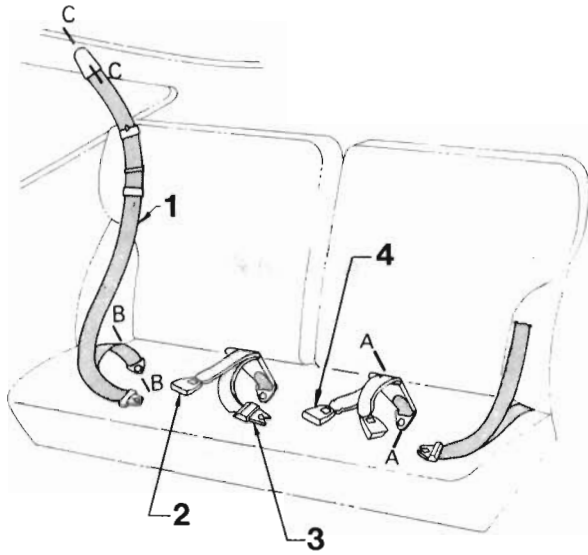
**REAR SEAT BELTS  
RETRACTABLE TYPE  
69 BODY STYLES**

ILLUS. REF. NO.	PART NAME	GROUP
1.	BELT ASSEMBLY - Rear seat .....	15.040
2.	BUCKLE ASSEMBLY - Rear seat .....	15.040
3.	BELT ASSEMBLY - Rear centre lap .....	15.040
4.	BUCKLE ASSEMBLY - Rear centre lap .....	15.040
5.	BOLT - Retractor belt to extension .....	15.040
6.	SPACER - Retractor belt to extension .....	15.040
7.	SPACER - Belt lower - .30" thick .....	15.040
8.	BOLT - Belt lower .....	15.040
9.	SPACER - Belt & buckle to underbody - .30" thick .....	15.040
10.	SPACER - Belt & buckle to underbody - .42" thick .....	15.040
11.	BOLT - Belt & buckle to underbody .....	15.040
12.	SLEEVE - Seat belt retention .....	15.040



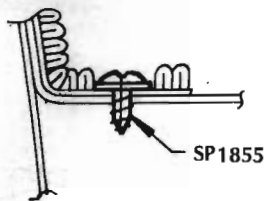
**REAR SEAT BELTS  
NON RETRACTABLE TYPE  
69 BODY STYLES**

ILLUS. REF. NO.	PART NAME	GROUP
1.	BELT ASSEMBLY - Rear seat .....	15.040
2.	BUCKLE ASSEMBLY - Rear seat .....	15.040
3.	BELT ASSEMBLY - Rear centre lap .....	15.040
4.	BUCKLE ASSEMBLY - Rear centre lap .....	15.040
5.	BOLT - Belt upper .....	15.040
6.	SPACER - Belt upper - .30" thick .....	15.040
7.	SPACER - Belt lower - .30" thick .....	15.040
8.	BOLT - Belt lower .....	15.040
9.	SPACER - Belt & buckle to underbody - .30" thick .....	15.040
10.	SPACER - Belt & buckle to underbody - .42" thick .....	15.040
11.	BOLT - Belt & buckle to underbody .....	15.040
12.	SLEEVE - Seat belt retention .....	15.040

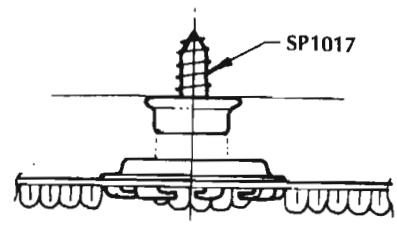
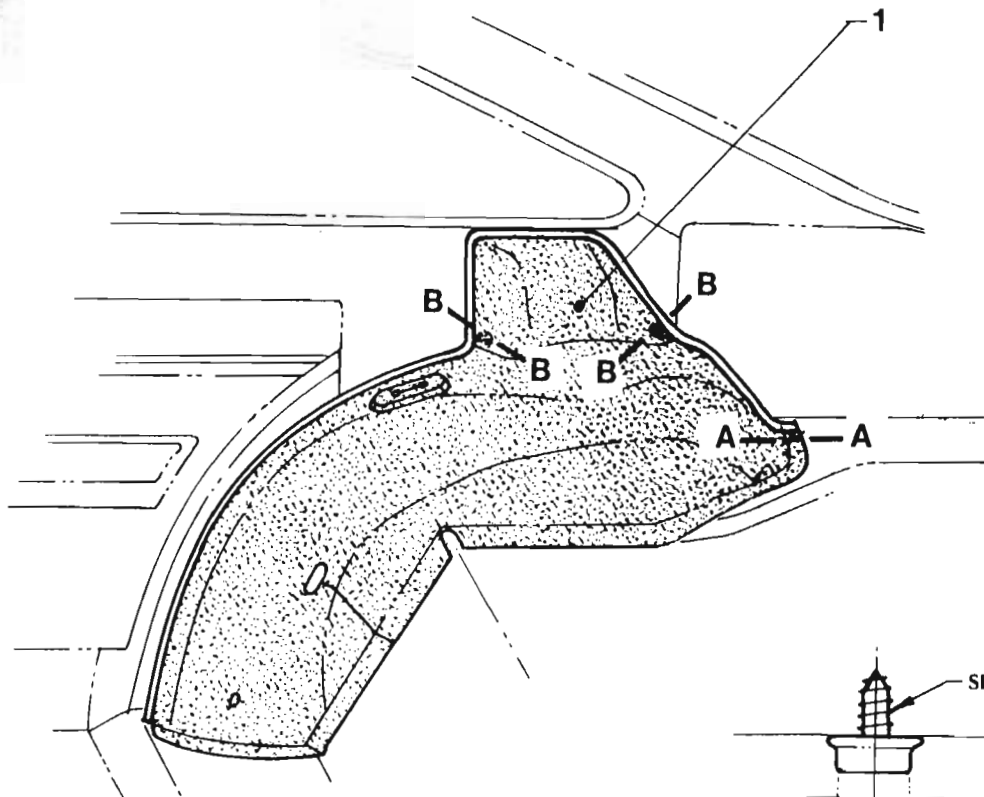


**REAR SEAT BELTS**  
77 BODY STYLES

ILLUS. REF. NO.	PART NAME	GROUP
1.	BELT ASSEMBLY - Rear seat .....	15.040
2.	BUCKLE ASSEMBLY - Rear seat .....	15.040
3.	BELT ASSEMBLY - Rear centre lap .....	15.040
4.	BUCKLE ASSEMBLY - Rear centre lap .....	15.040
5.	SPACER - Belt upper - .30" thick .....	15.040
6.	BOLT - Belt upper .....	15.040
7.	SPACER - Belt upper - .30" thick .....	15.040
8.	BOLT - Belt upper .....	15.040
9.	SPACER - Belt & buckle to underbody - .30" thick .....	15.040
10.	SPACER - Belt & buckle to underbody - .42" thick .....	15.040
11.	BOLT - Belt & buckle to underbody .....	15.040
12.	SLEEVE - Seat belt retention .....	15.040



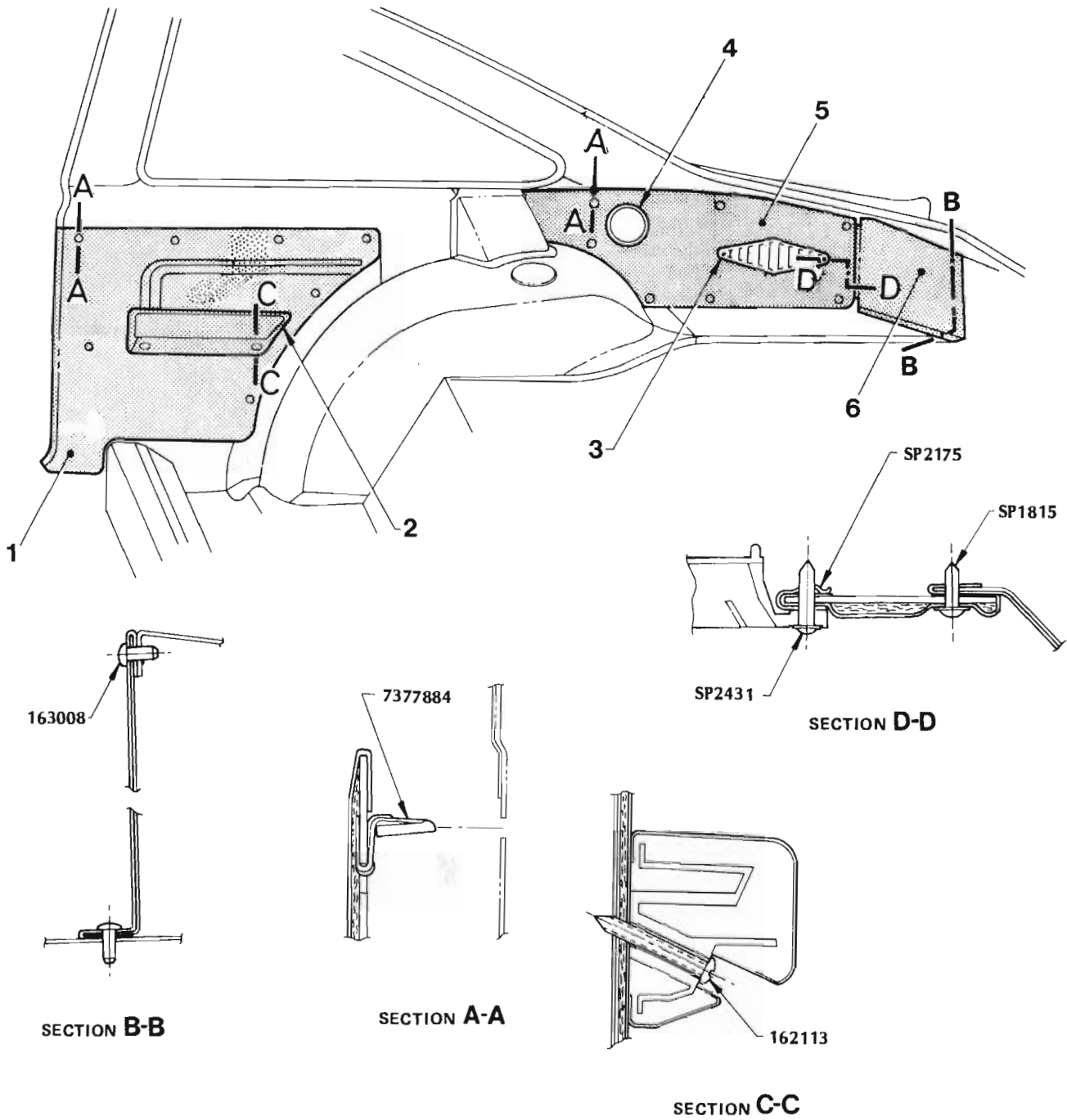
SECTION A-A



SECTION B-B

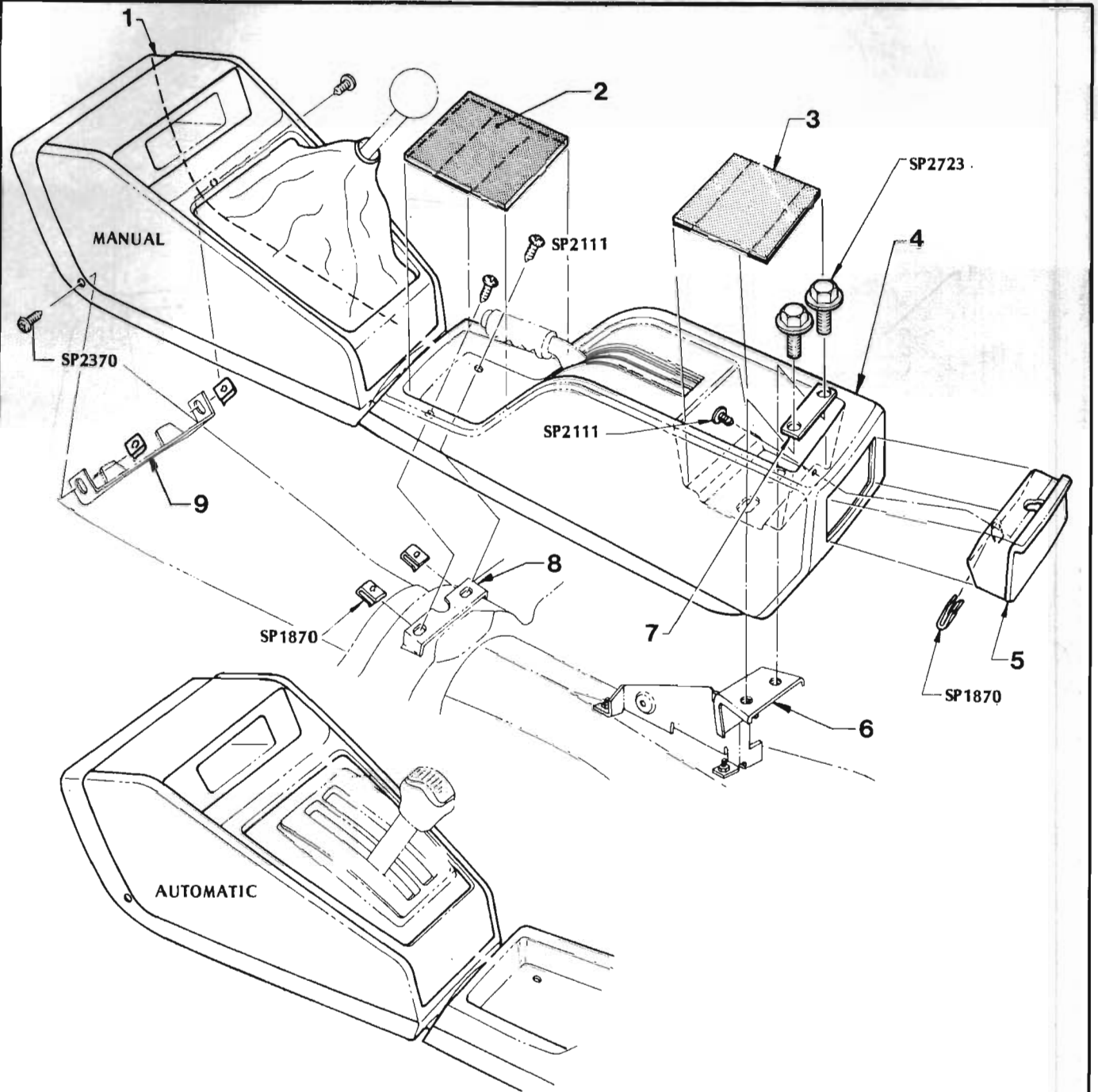
**CARPET WHEELHOUSE**  
77 BODY STYLES

ILLUS. REF. NO.	PART NAME	GROUP
1.	CARPET - Wheelhouse .....	15.100



**REAR QUARTER TRIM**  
77 BODY STYLES

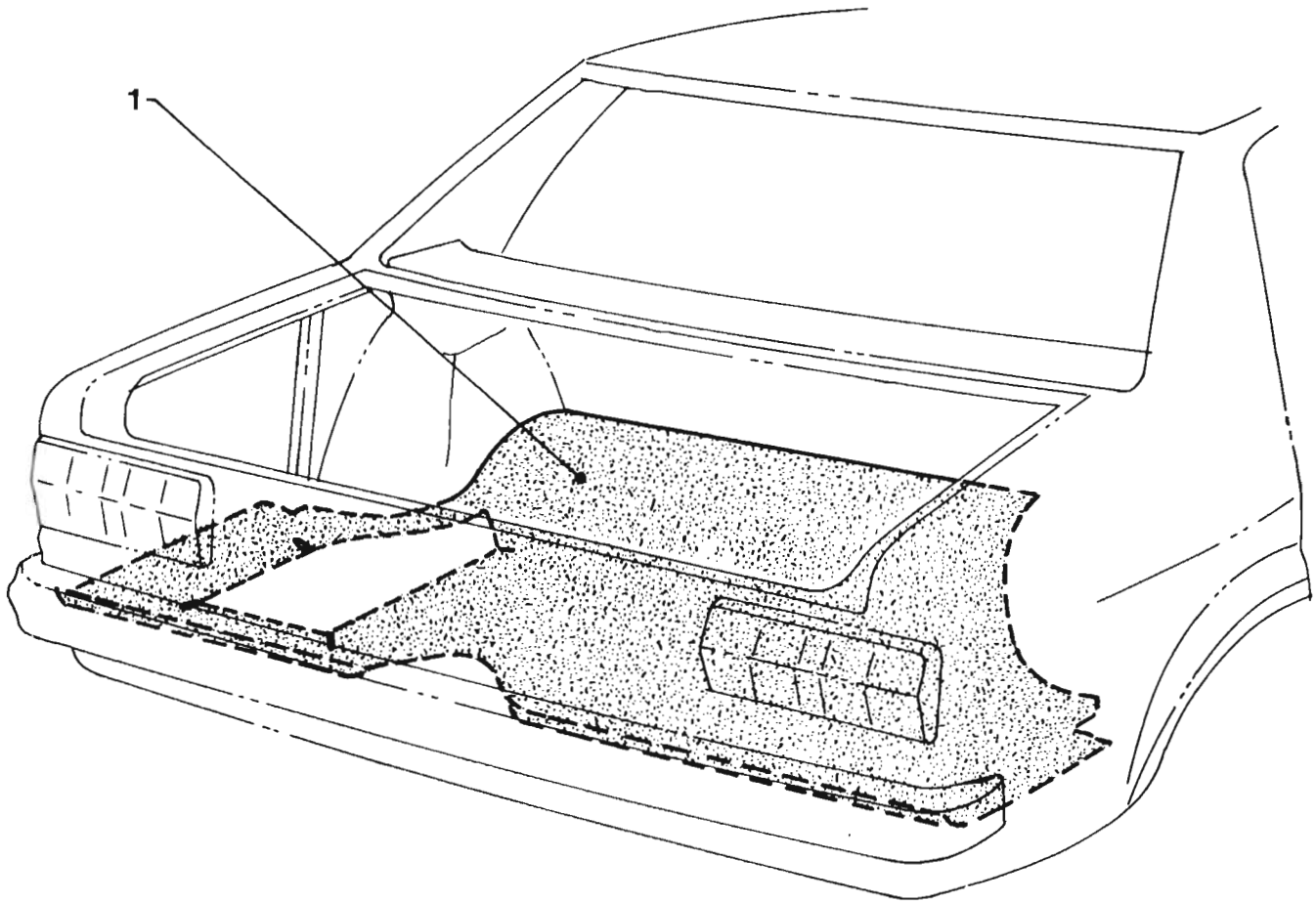
ILLUS. REF. NO.	PART NAME	GROUP
1.	TRIM - Rear quarter .....	15.100
2.	ARM REST - Quarter .....	14.762
3.	GRILLE - Rear quarter trim .....	15.100
4.	LAMP ASSEMBLY - Rear compartment .....	11.960
5.	TRIM - Rear compartment side .....	15.100
6.	TRIM - Rear quarter extension .....	15.100



TRANSMISSION CONSOLE

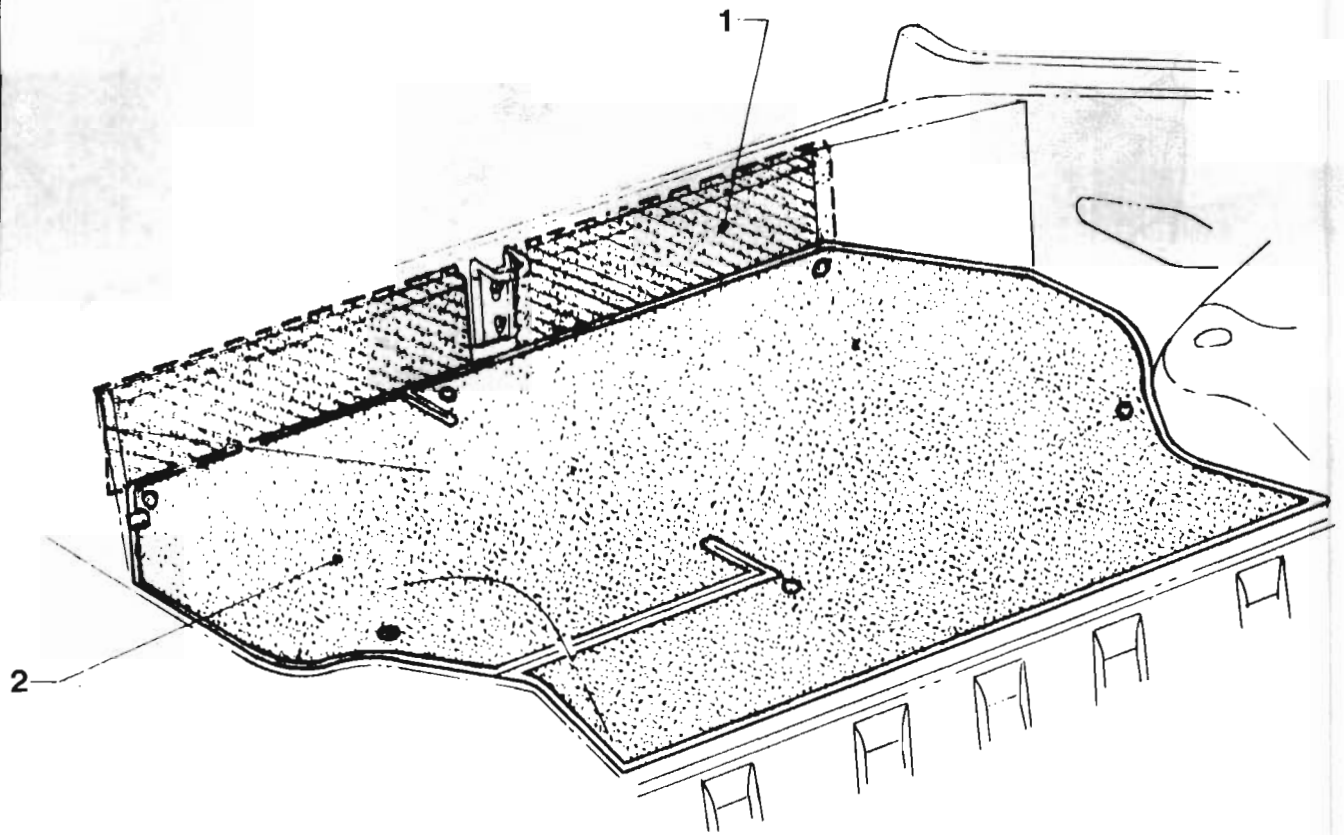
ILLUS. REF. NO.	PART NAME	GROUP
1.	CONSOLE ASSEMBLY – Front .....	15.290
2.	CARPET – Front console .....	15.291
3.	CARPET – Rear console .....	15.291
4.	CONSOLE ASSEMBLY – Rear .....	15.290
5.	ASH TRAY ASSEMBLY – Console .....	12.030
6.	BRACKET – Rear console mounting .....	15.290
7.	REINFORCEMENT – Rear console mounting .....	15.290
8.	BRACKET – Console centre mounting .....	15.290
9.	BRACKET – Front console mounting .....	15.290





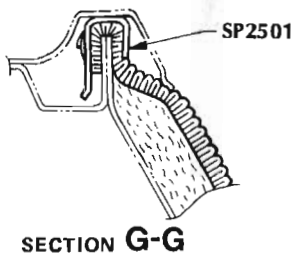
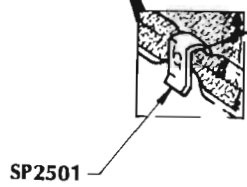
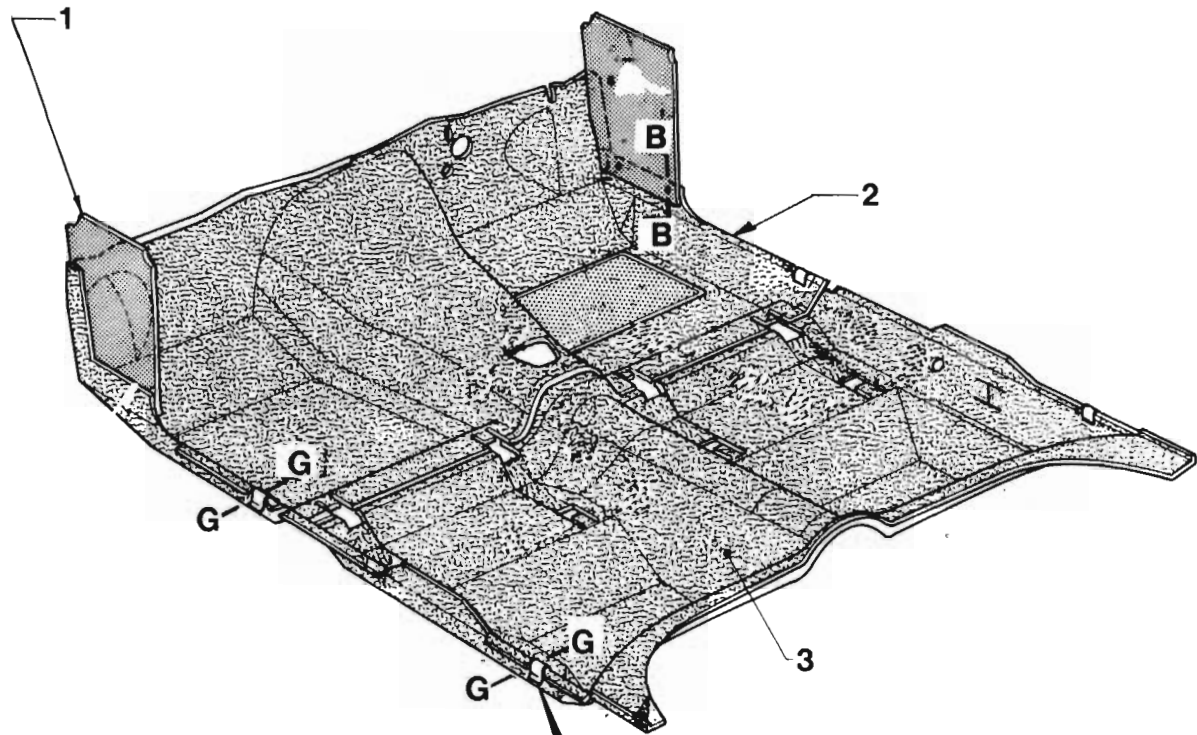
**MAT LUGGAGE COMPARTMENT**  
**69 BODY STYLES**

ILLUS. REF. NO.	PART NAME	GROUP
1.	MAT - Luggage compartment floor .....	15.294

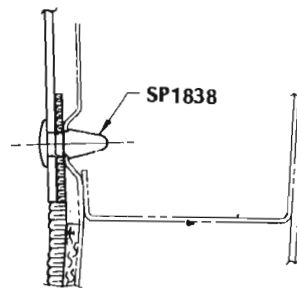


**CARPET REAR COMPARTMENT**  
**77 BODY STYLES**

ILLUS. REF. NO.	PART NAME	GROUP
1.	CARPET - Rear compartment rear .....	15.309
2.	CARPET - Rear compartment floor .....	15.308



SECTION G-G



SECTION B-B

FLOOR CARPETS

ILLUS. REF. NO.	PART NAME	GROUP
1.	TRIM ASSEMBLY - Cowl side panel lower .....	14.630
2.	CARPET - Front floor .....	15.286
3.	CARPET - Rear floor .....	15.306

